



PARTS MANUAL

Part N° SHW6417170 (ISSUE 1)



NINE ELECTRIC DRIVE

Stanhay Webb
BCS House
Pinfold Road
PE10 9HT
UK

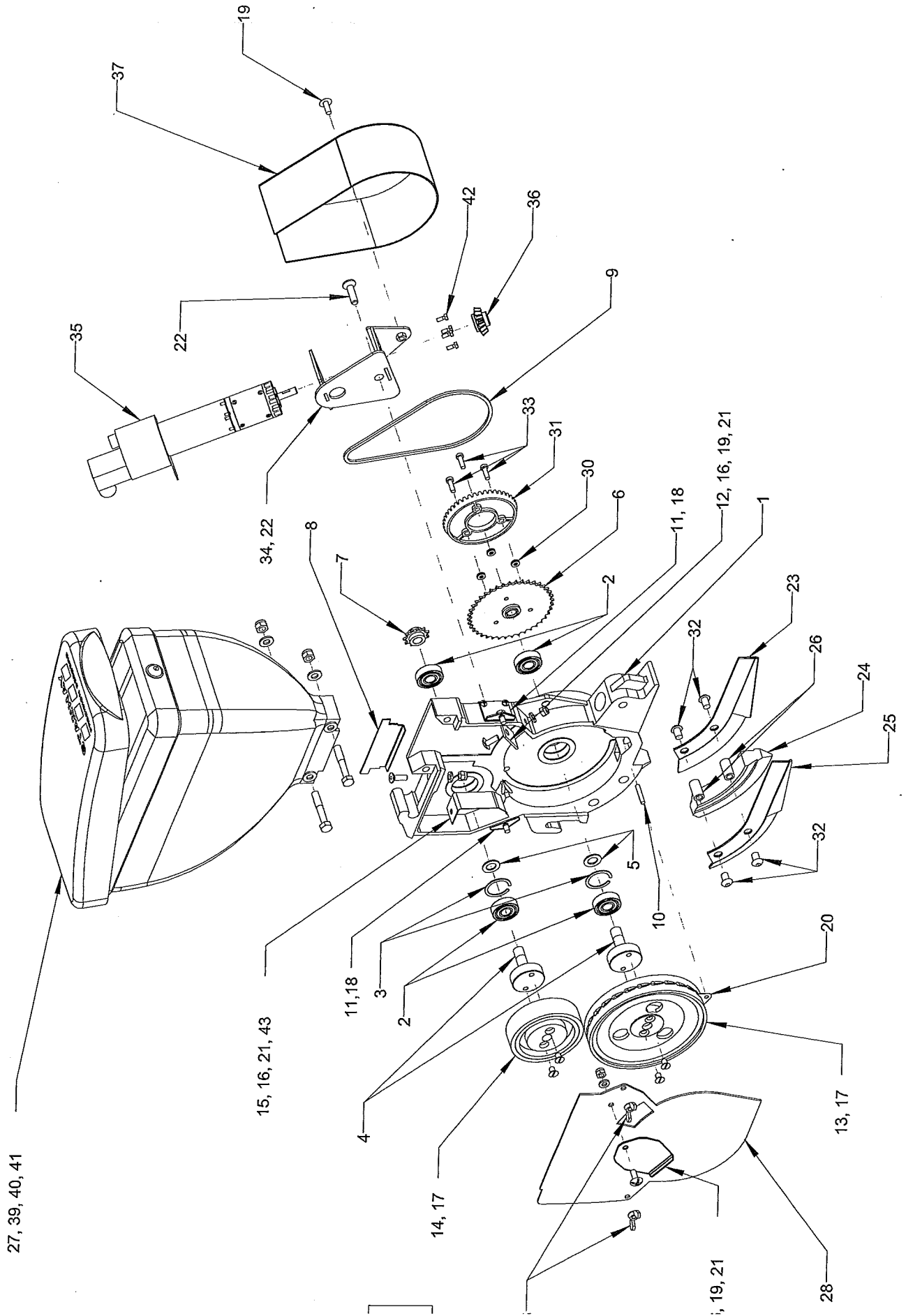
Tel: (+44) 8451 801480

Email info@stanhay.com
Web www.stanhay.com

NINE METERING UNIT

SHW7700039

STANHAY
PRECISION SEEDERS



NINE METERING UNIT

SHW7700039

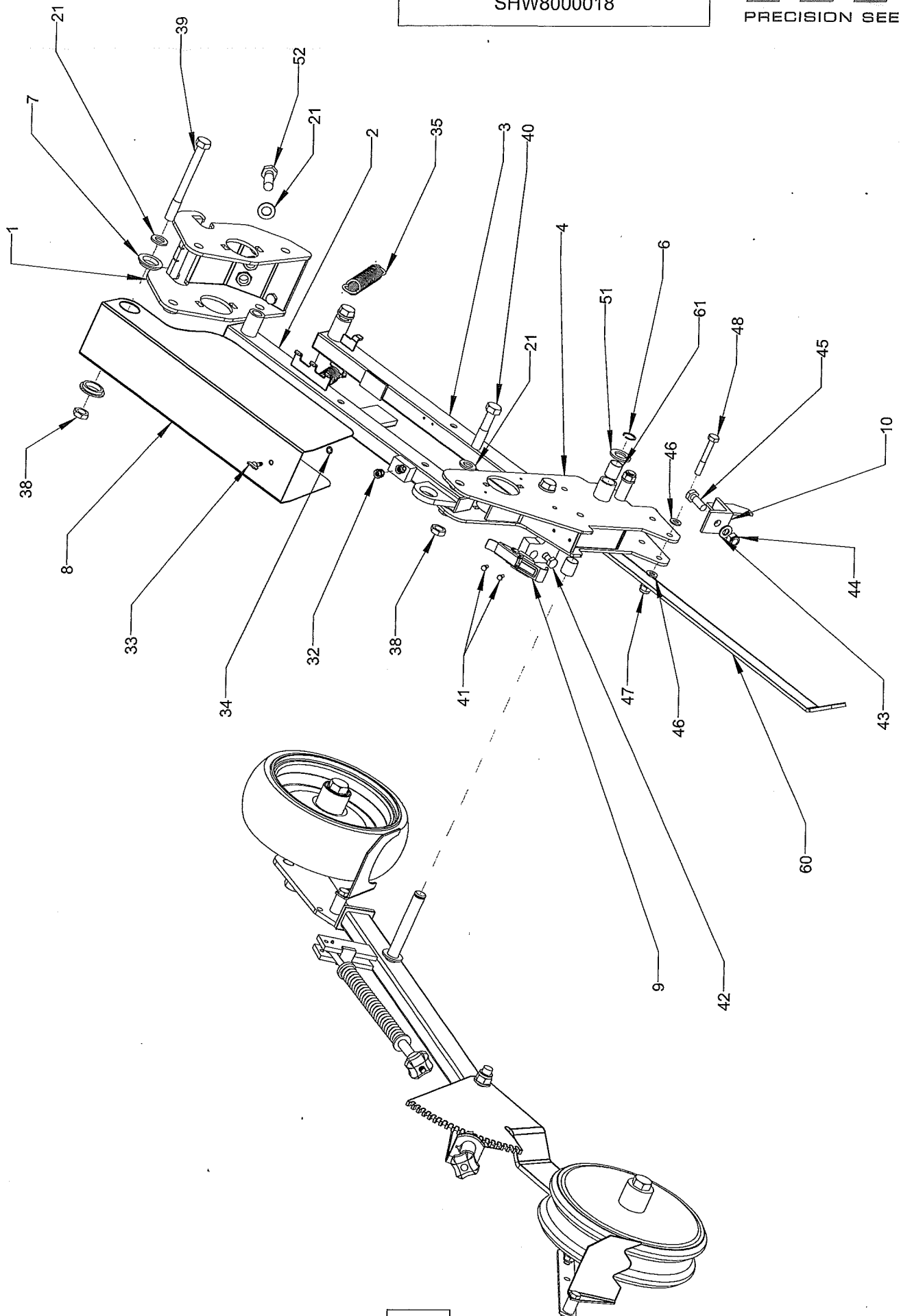


NUM	QTY	PART NUMBER	DESCRIPTION
1	1	SHW3000484	METERING UNIT BODY
2	4	SHW1901101	6201-2RS BRG
3	2	SHW2217006	32 x 1.2 EXT CIRCLIP
4	2	SHW6902260	SELECTOR WHEEL SHAFT
5	2	SHW6902487	BEARING SPACER
6	1	SHW1701021	SELECTOR SPROCKET 40T
7	1	SHW1701020	DEFLECTOR SPROCKET 11T
8	1	SHW6902264	HOPPER PACKER
9	1	SHW1801011	8MM CHAIN 56P
10	1	SHW2214605	GROOVED PIN
11	2	SHW7404189	UNIT LID BRACKET
12	1	SHW6900792	SEALING STRIP
13	1		SELECTOR WHEEL
14	1	SHW7702737	BROWN DEFLECTOR WHEEL
		SHW7703071	BLACK DEFLECTOR WHEEL
15	1	SHW3210059	SPRING DEFLECTOR BLADE
		SHW6902825	FIXED DEFLECTOR BLADE
16	3	SHW2311091	M6 WASHER
17	4	SHW2333123	SLOT CSS M6 X 10
18	4	SHW2385052	SELF TAPPING SCREW
19	3	SHW2390024	ROOFING BOLT
20	1	SHW3220036	EJECTOR BLADE
21	3	SHW2303107	M6 NYLOC
22	2	SHW2376046	CSK SCREW M8 X 30
23	1	SHW3210176	COULTER RH SIDE
24	1	SHW3000495	COULTER INSERT CAST
		SHW3240004	CERAMIC COULTER INSERT
25	1	SHW3210177	COULTER LH SIDE
26	2	SHW6902351	COULTER SCREW BOSS
27	1	SHW7700419	SEED HOPPER ASSY 9
28	1	SHW6903810	UNIT COVER PLATE
29	1	SHW3210175	COVER PLATE FLAP
30	9	SHW2310111	M5 FORM A
31	1	SHW1502001	CROWNWHEEL 45T
32	4	SHW2377079	BUTTON HEAD M8 x 12
33	3	SHW2332105	CHEESE HD M5X16
34	1	SHWRD0090	MOTOR MOUNT
35	1	REFER TO ELECTRICS SECTION	ELECTRIC MOTOR
36	1	SHWRD0091	NINE PINION 15T
37	1	SHWRD0094	MOTOR COVER
38	2	SHW2303184	M6 WING NUT
39	4	SHW2311091	M8 WASHER
40	2	SHW2306040	BOLT M8 x 50
41	2	SHW2303092	M8 NYLOC NUT
42	4	SHW2309013	SETSCREW M4 x 10
43	1	SHW2333126	CSK SCREW M6 X 20

NINE CHASSIS KIT

SHW8000018

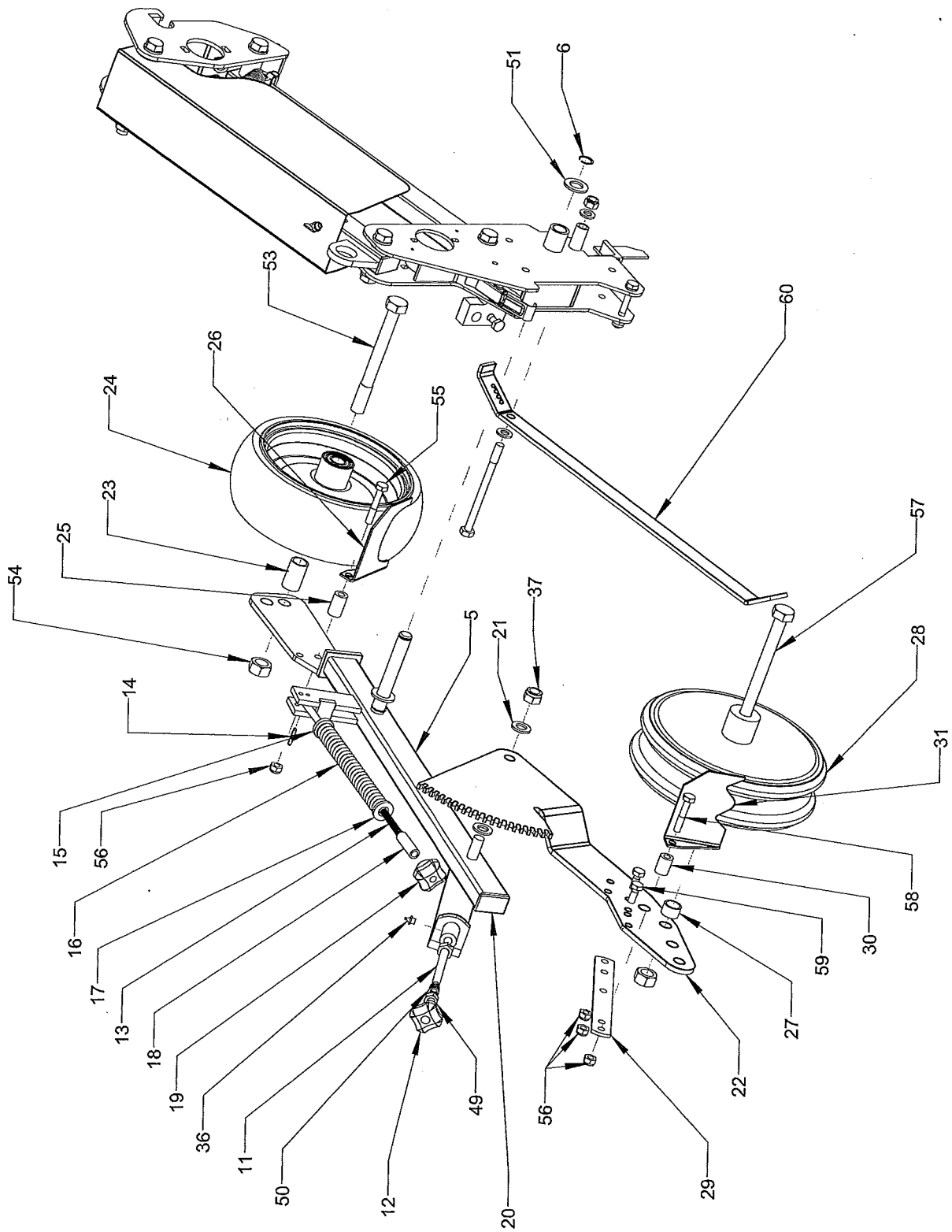
STANHAY
PRECISION SEEDERS



NINE CHASSIS KIT

SHW8000018

STANHAY
PRECISION SEEDERS



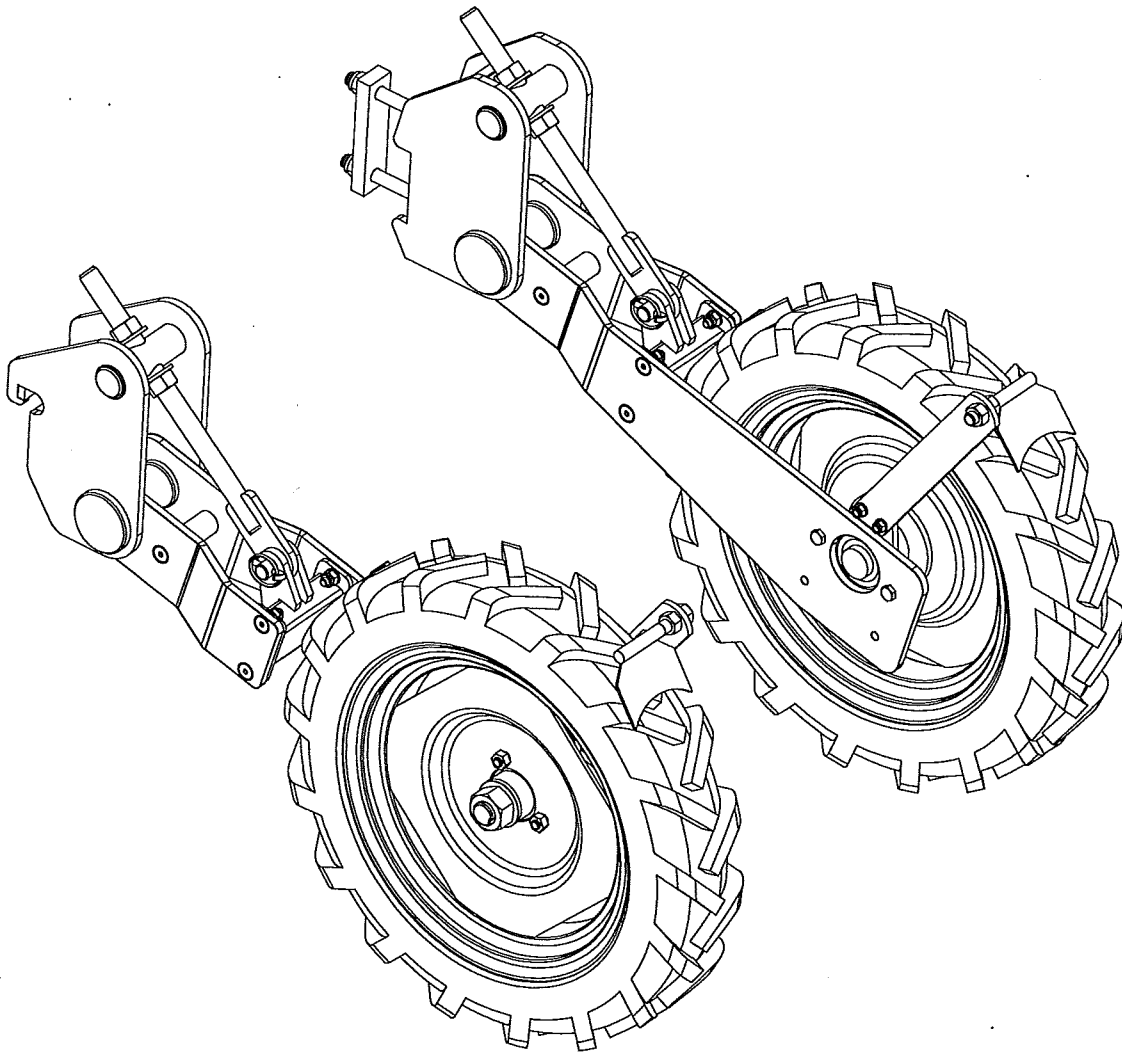
NINE CHASSIS KIT

SHW8000018



NUM	QTY	PART NUMBER	DESCRIPTION
1	1	SHW7400048	VEGT LATCHING HEADSTOCK
2	1	SHW7700035	9 UPPER LINK
3	1	SHW7700036	9E LOWER LINK
4	1	SHW7400053	1 PART MTR BRACKET
5	1	SHW7400052	WHEEL ARM 210
6	2	SHW2217003	20MM EXTERNAL CIRCLIP
7	2	SHW6900082	CHAIN GUARD BEARING
8	1	SHW6900081	7 & 9 TOP CHAIN GUARD
9	1	SHW2387013	TOGGLECLIP
10	1	SHW7404208	OPENER TINE
11	1	SHW7404727	DEPTH ADJUSTMENT BOLT
12	1	SHW6404035	M12 HANDWHEEL
13	1	SHW6903905	SPRING ROD
14	1	SHW2215049	5 X 28 SPIROL PIN
15	1	SHW2810068	SPRING END COLLAR
16	1	SHW2701072	REAR WHEEL SPRING
17	1	SHW2810067	SPRING GUIDE COLLAR
18	1	SHW6903904	SPRING SPACER
19	1	SHW6404034	M10 HANDWHEEL
20	1	SHW6402044	50X30 INSERT
21	7	SHW2311092	M16 FORM A
22	1	SHW6904601	PLATE 210 WHEEL
23	1	SHW6904544	WHEEL SPACER 44
24	1	SHW5700398	300X100 ZPW
25	1	SHW6904548	ZP SCRAPER SPACER
26	1	SHW6903907	ZP WHEEL SCRAPER
27	1	SHW6903761	FRONT WHEEL SPACER
28	1	SHW5700404	290X80 CONCAVE WHEEL
29	1	SHW6903802	WHEEL SCRAPER ARM
30	1	SHW6904645	ZPC SCRAPER SPACER
31	1	SHW6903694	ZP CONCAVE SCRAPER
32	1	SHW2387016	6MM MOUNT INSERT
33	1	SHW2387017	6MM WING STUD
34	1	SHW2837018	6MM STEEL RETAINER
35	2	SHW2702045	PENETRATION SPRING
36	1	SHW6401006	M8 STRAIGHT GREASE NIPPLE
37	1	SHW2303095	M16 NYLOC NUT
38	4	SHW2303046	LOCKNUT M16
39	2	SHW2306141	Bolt M16 x 150
40	2	SHW2306133	Bolt M16 x 75
41	2	SHW2309021	Setscrew M5 x 10
42	1	SHW2306066	Bolt M10 x 40
43	1	SHW2311091	M12 FORM A
44	1	SHW2303094	M12 NYLOC NUT
45	1	SHW2309079	Setscrew M12 x 35
46	2	SHW2311090	M10 FORM A
47	1	SHW2303093	M10 NYLOC NUT
48	1	SHW2306072	Bolt M10 x 70
49	1	SHW2303009	M12 NUT
50	1	SHW2701073	DEPTH ADJUSTMENT SPRING
51	2	SHW2311093	M20 FORM A
52	1	SHW2306128	Bolt M16 x 50
53	1	SHW2306173	Bolt M20 x 180
54	2	SHW2303011	NUT M20
55	1	SHW2306070	Bolt M10 x 60
56	4	SHW2303109	M10 NYLOC THIN
57	1	SHW2306176	Bolt M20 x 220
58	1	SHW2306069	Bolt M10 x 55
59	2	SHW2309062	Setscrew M10 x 25
60	1	SHW7700057	LONG LH ARM COVERER KIT
61	2	SHW2008017	GLACIER BRG 2025DU

LIGHT LANDWHEEL OPTIONS



NUM	PART NUMBER	DESCRIPTION
1	SHW8000012	LIGHT LANDWHEEL LH 100TB
2	SHW8000013	LIGHT LANDWHEEL RH 100TB
3	SHW8000020	LATCH LIGHT LW LH
4	SHW8000021	LATCH LIGHT LW RH

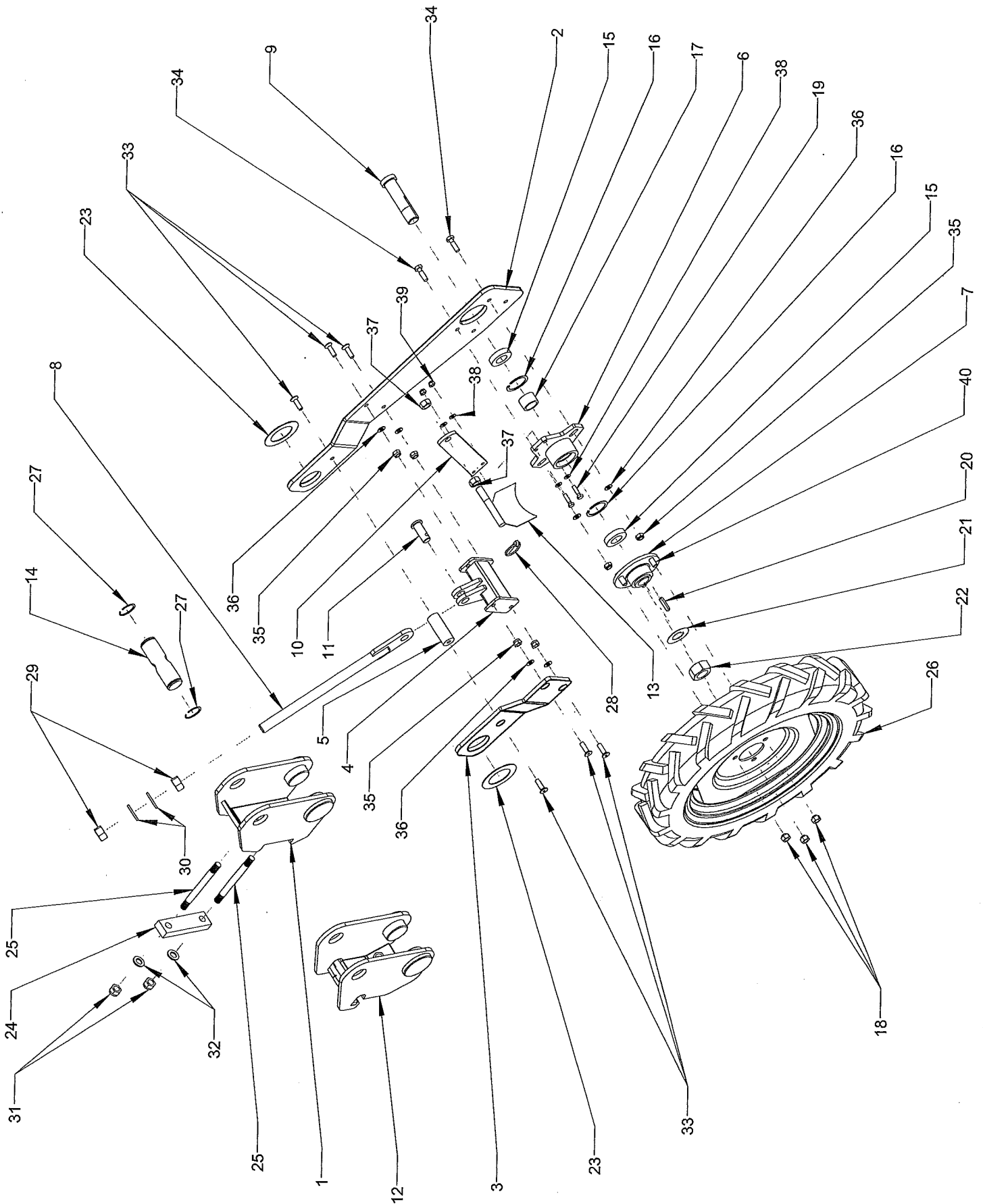
LIGHT LAND WHEEL NARROW L/H

SHW8000012

STANHAY



PRECISION SEEDERS



LIGHT LAND WHEEL NARROW L/H

SHW8000012

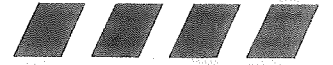


NUM	QTY	PART NUMBER	DESCRIPTION
1	1	SHW7400036	LLW HEADSTOCK 100TB
2	1	SHW6900051	LLW WHEEL ARM L/H
3	1	SHW6900052	LLW SHORT ARM
4	1	SHW7400037	LLW CROSS BEARER ASSY
5	1	SHW6900055	LLW CROSS BEAM
6	1	SHW7405065	LANDWHEEL HUB W/A
7	1	SHW7403157	WHEEL CENTRE 3 STUD
8	1	SHW7400038	LLW DEPTH BAR
9	1	SHW6900059	NARROW WHEEL SPINDLE
10	1	SHW6902239	SCRAPER ARM
11	1	SHW6900060	LLW DEPTH PIN
12	1	SHW7400063	LLW LATCH HEADSTOCK
13	1	SHW7402446	SING.L'WHEEL SCRAPER-W/A
14	1	SHW6900056	PIVOT BAR
15	2	SHW1901051	6006-2RS BALL BEARING 30-55-13
16	2	SHW2217208	INT.CIRCLIP DIN 472- 55 X 2.00
17	1	SHW6902673	BEARING SPACER L.W.
18	3	SHW5700340	WHEEL NUT-M12
19	2	SHW2309049	M8 X 30 GR 8.8 SET SCREW PL
20	1	SHW6413059	8X7X38 WHL.CTNR KEY-BARR.CHAM
21	1	SHW6902759	TAB WASHER L/W
22	1	SHW2303013	M30 GR.8 HEX NUT PLATED
23	2	SHW6900054	LLW ARM SPACER
24	1	SHW6903077	CLASP PLATE 100MM TB M16
25	2	SHW6903980	ROWUNIT GEARBOX STUD
26	1	SHW5700336	4.00-16 L'WHEEL L/H-ASSY
27	2	SHW2217011	EXT CIRCLIP DIN471 40x1.75
28	1	SHW2314758	7MM LINCH PIN
29	2	SHW2303012	M24 GR.8 HEX NUT PLATED
30	2	SHW2311094	M24 PLN F/W NOR DIA HVY-FORM A
31	2	SHW2303129	M16 PHILIDAS NUT
32	2	SHW2311092	M16 PLN F/W NOR DIA HVY-FORM A
33	6	SHW2376080	M10 X 35 SKT CSK SCREW BZP
34	2	SHW2306065	M10 X 35 GR 8.8 BOLT PL
35	6	SHW2303109	M10 NYLOC THIN T TYPE S/L NUT
36	6	SHW2311090	M10 PLN F/W NOR DIA HVY-FORM A
37	2	SHW2303010	M16 GR.8 HEX NUT PLATED
38	4	SHW2311089	M8 PLN F/W NOR DIA HVY-FORM A
39	2	SHW2303092	M8 NYLOC FULL P TYPE S/L NUT
40	3	SHW5700339	M12 WHEEL STUD

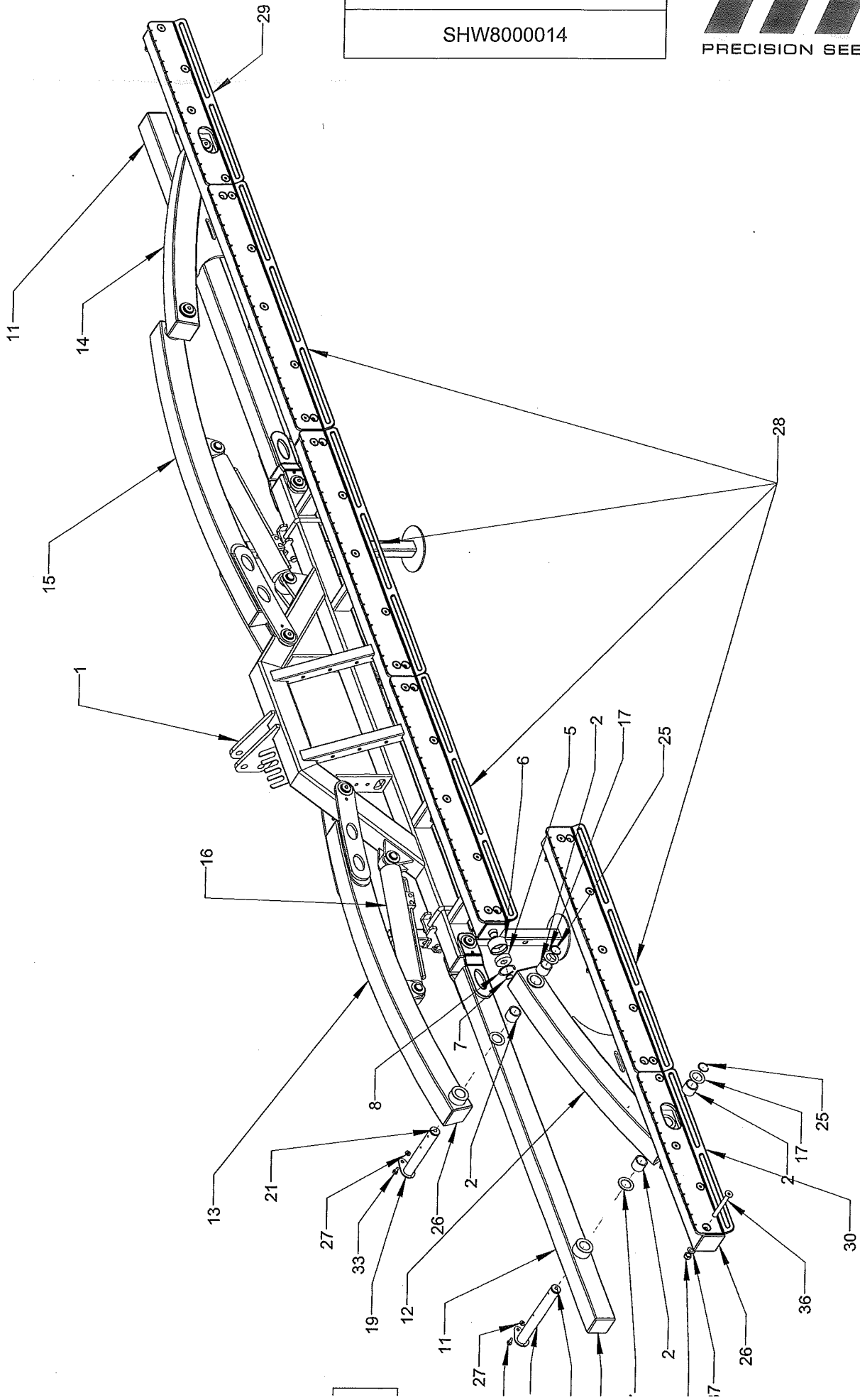
3 BED STA6K FRAME

SHW8000014

STANHAY



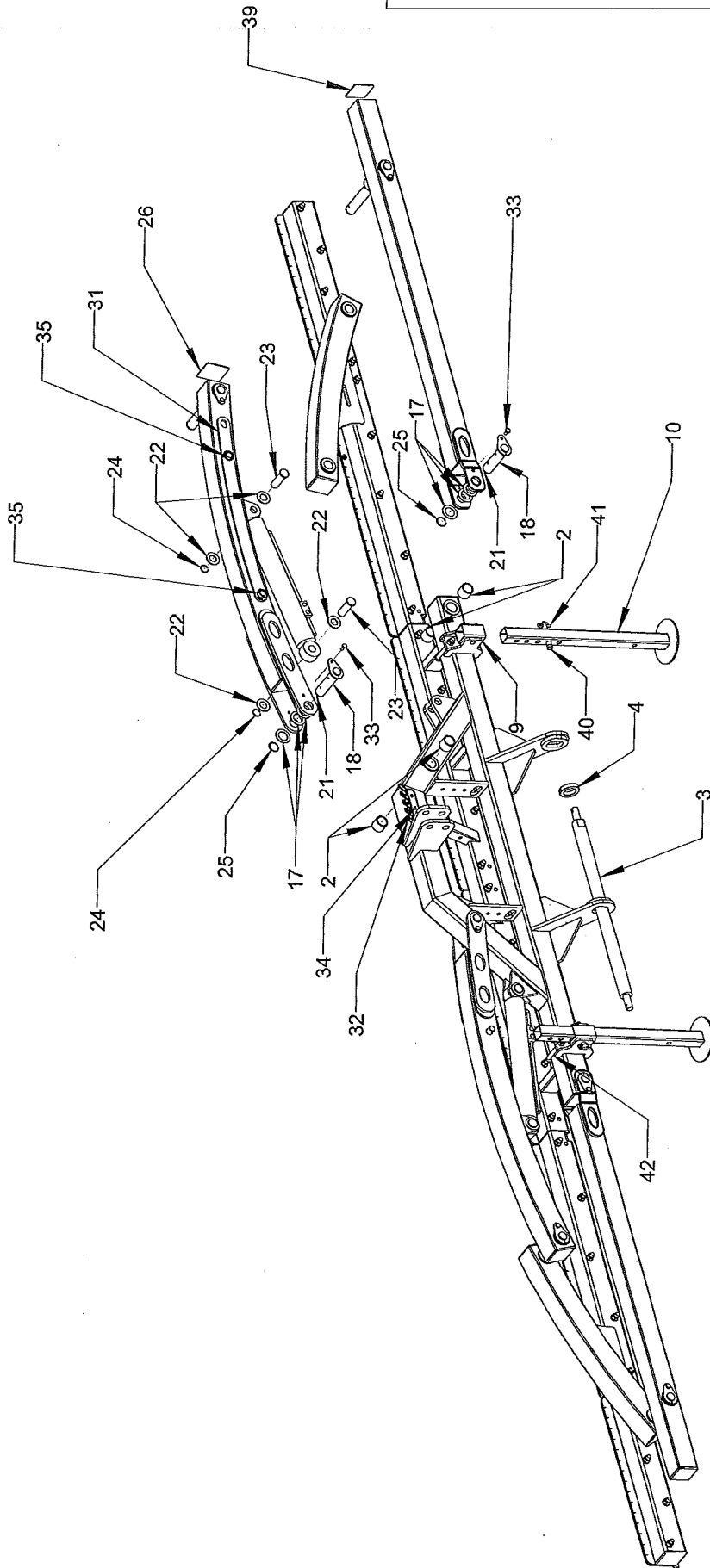
PRECISION SEEDERS

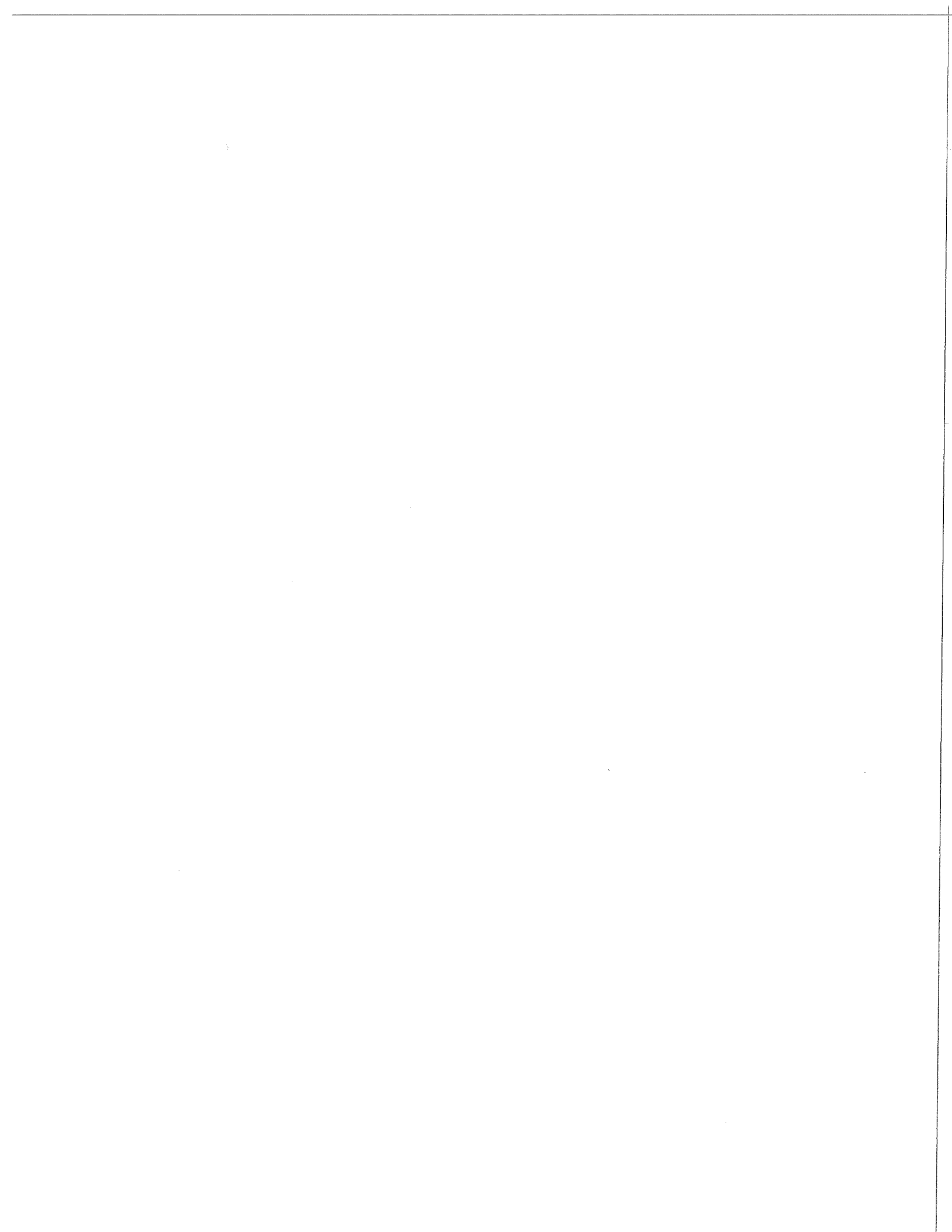


3 BED STA6K FRAME

SHW8000014

STANHAY
PRECISION SEEDERS





3 BED STA6K FRAME

SHW8000014

STANHAY

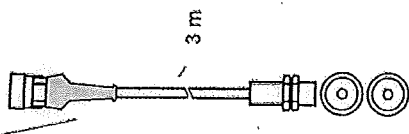
 PRECISION SEEDERS

ITEM NUMBER	QTY	PART NUMBER	DESCRIPTION
1	1	SHW7400060	3BED FOLDER CENTRE W/A
2	16	SHW2001015	40MM SPRING BUSH
3	1	SHW6900027	CAT 2 LOWER LINK BAR
4	1	SHW6401002	50x80x15 LOCKING COLLAR
5	2	SHW1901054	25-62-17 BEARING
6	2	SHW6900002	BEARING WHEEL
7	2	SHW2217011	25MM EXTERNAL CIRCLIP
8	2	SHW2217006	62MM INTERNAL CIRCLIP
9	2	SHW7400011	PARKING STAND 100X100
10	2	SHW7403660	PARK STAND
11	2	SHW7400017	GULL WING ASSY
12	1	SHW7400061	3BED RIGHT WING
13	1	SHW7400018	CURVED ARM ASSY R
14	1	SHW7400062	3 BED LEFT WING
15	1	SHW7400019	CURVED ARM ASSY L
16	2	SHW4102024	3BED FOLDER RAM
17	20	SHW6900003	FRAME SPACER
18	4	SHW7400028	CENTRE FRAME PIN ASSY
19	2	SHW7400030	TOP OUTER PIN ASSY
20	2	SHW7400031	OUTER GULL PIN
21	8	SHW6401006	M8 STRAIGHT GREASE NIPPLE
22	8	SHW2311133	M30 FORM A WASHER
23	4	SHW6900032	FOLDER RAM CLEVIS PIN
24	4	SHW2217011	30MM EXTERNAL CIRCLIP
25	8	SHW2217011	40MM EXTERNAL CIRCLIP
26	12	SHW6402047	100x100 BLANKING CAP
27	4	SHW6900048	PIN LOBE SPACER
28	4	SHW6900090	3BED LATCHBAR LONG
29	1	SHW6900091	3BED LATCH BAR LH
30	1	SHW6900092	3BED LATCH BAR RH
31	1	SHW6900093	3BED STA6K TIE BAR
32	1	SHW6900047	HYD HOSE BANK
33	8	SHW2309061	Setscrew M10 x 20
34	3	SHW2377079	BUTTON HEAD M8 x 12
35	2	SHW2314758	7MM LINCH PIN
36	28	SHW2306117	CSS M16 X 140
37	28	SHW2311092	M16 FORM A
38	32	SHW2303129	M16 PHILIDAS NUT
39	2	SHW6402016	90x90 BLANKING CAP
40	2	SHW2314807	CAT 1 PIN
41	2	SHW2314754	LINCH PIN
42	2	SHW7002006	U BOLT

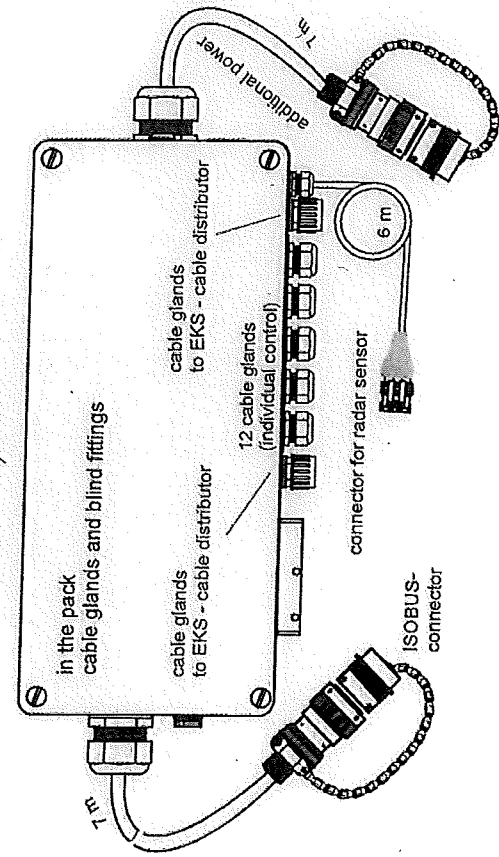
Herstellung, Weitergabe an Dritte, Bekanntmachung oder andere Nutzung dieses Konstruktionszeichens sind ohne Genehmigung nicht gestattet. Zuwiderhandlung zieht strafrechtliche Folgen nach sich.

604A5110

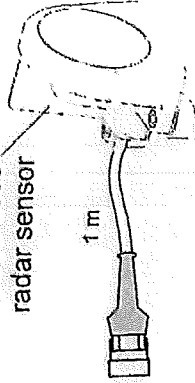
Working position sensor



643A2000 ISOBUS-ECU-planter

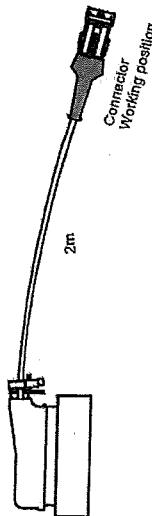


1-950-0053
radar sensor



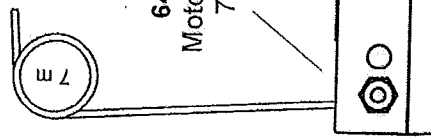
614A4600

Machine cable for Planter-ECU



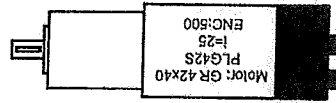
643A3000

Motor-ECU with
7m Cable



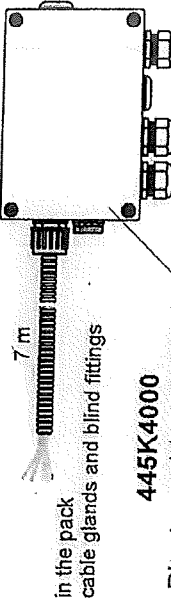
643A3010

Motor
with
power- and
ENC - cable



445K4000

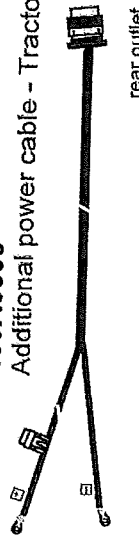
Planter-cable distributor



in the pack
cable glands and blind fittings

489A6300

Additional power cable - Tractor



rear outlet

Benennung

Modules overview
Stanhay/mech. Planter

Zeichnungs-Nr.

643A0000

Name

Blume

Datum

27.09.12

AZ

Gepr.

Ersatz für

Ersatz durch

Maßstab Projektion Blatt Nr.

ohne 1 1 1

WTK-ELEKTRONIK

GmbH

01844 Neustadt/Sa.

Tel.: 03596/56560