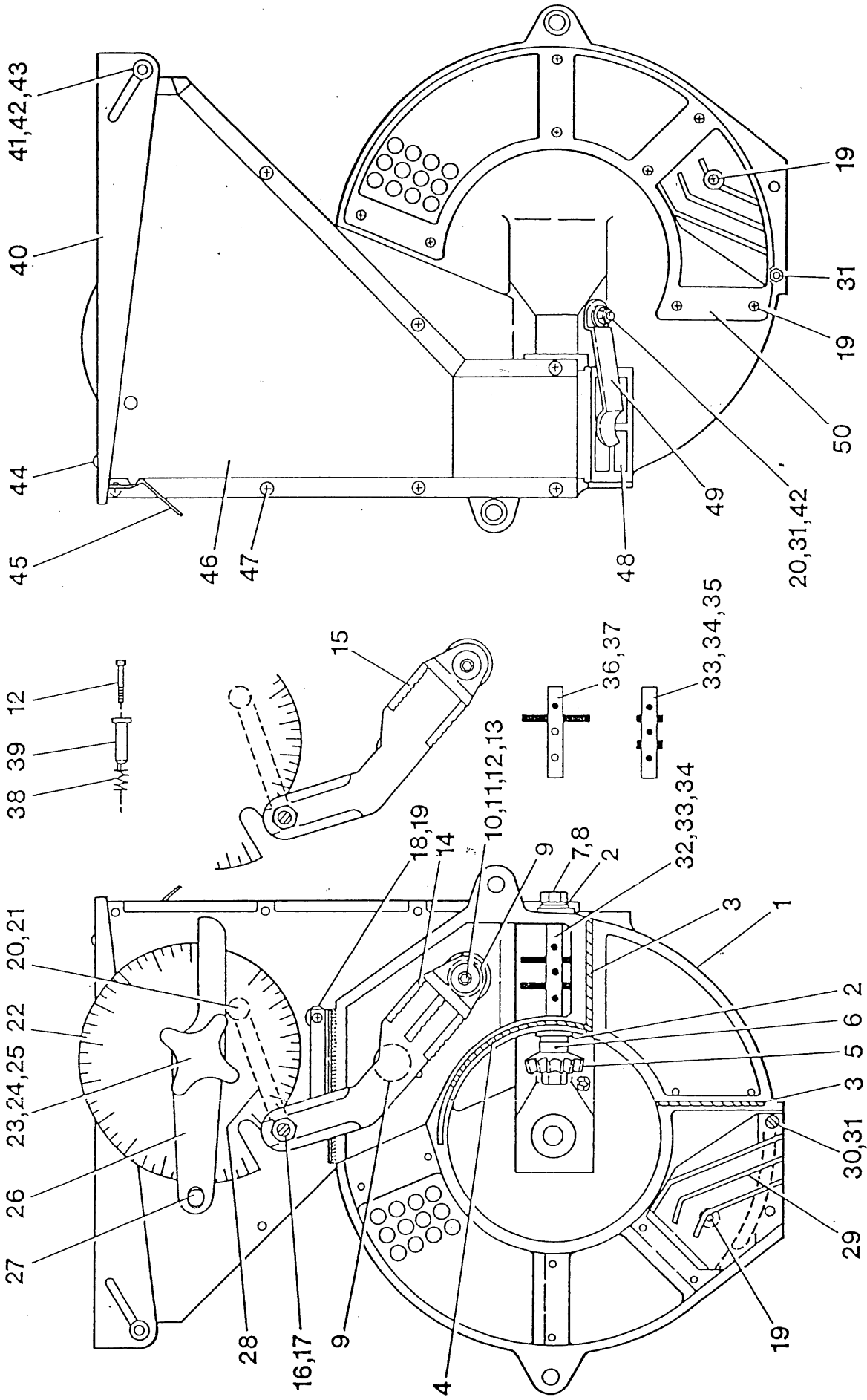


STANHAY S785 METERING UNIT



SINGULAIRE 785

METERING UNIT - HOPPER SIDE

Item No:	Part No:	Description:
.1	7702828	Body - Hopper Side c/w items 2,23,27
2	2002012	Oilite Bearing
3	6902687	Felt Seal
4	6902760	Felt Seal - Inner Ring
5	7702880	15T Pinion/Spindle c/w item 6 (15T) 150203
6	2214280	Tension Pin
7	2311089	M8 Flat Washer
* 8	6902665	Agitator Bolt - Short (L/H thread) 6902584 (long) for pinion gear
9	2701060	Singulator Spring
*** 10	6902822	Singulator Spindle (spherical ball type)
*** 11	6902823	Singulator Spindle End Cap
*** 12	2375009	M3 x 30 Socket Head Cap Screw.
13	2303008	M10 Hexagon Nut
14	7703032 2810203	Singulator - multi-line (c/w items 16,17)
15	7703033	Singulator - single line (c/w items 16,17)
16	6902711	Eccentric Singulator Pin
17	2303007	M8 Hexagon Nut
18	7702899	Singulator Brush - Hopper Side
19	2357002	M3 x 6 Taptite Pozidriv Pan Head Screw
20	2332105	M5 x 16 Slotted Cheese Head Screw
21	2303005	M5 Hexagon Nut
22	2810204	Singulator Cam
23	6902496	Cam Stud
24	2311090	M10 Flat Washer (between Cam and Body)
25	6404015	Handwheel
26	6902498	Singulator Setting Arm
27	6409340	10 x 25 Dowel
28	2702040	Singulator Arm Spring
29	2810215	Seed Splitter
	6903213	Red Beet Seed Splitter
8010047	6903250	Lettuce Seed Splitter
30	2332106	M5 X 20 Slotted Cheese Head Screw
31	2303090	M5 Nyloc Hexagon Nut
32	7702830	Agitator - Standard
* 33	6902664	Agitator Spindle (White - L/H thread both ends)
* 34	2830040	Agitator Finger (snap-in)
** 35	7702861	Agitator - Large Pellet
36	7702860	Agitator - Raw Parsnip
37	2215260	4 x 36 Tension Pin (finger for raw parsnip)

* For Metering Units fitted with black agitator spindles, order these parts.

** For Agitator Finger use item 34 and cut to length after fitting.

*** For Metering Units fitted with straight Singulator Spindles (no spherical ball), order these parts.

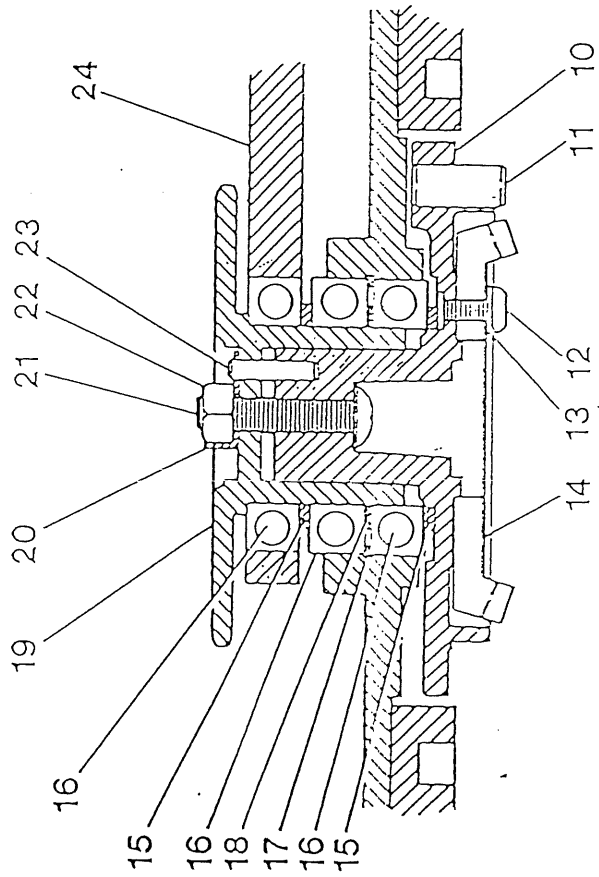
SINGULAIRE 785

METERING UNIT - HOPPER SIDE

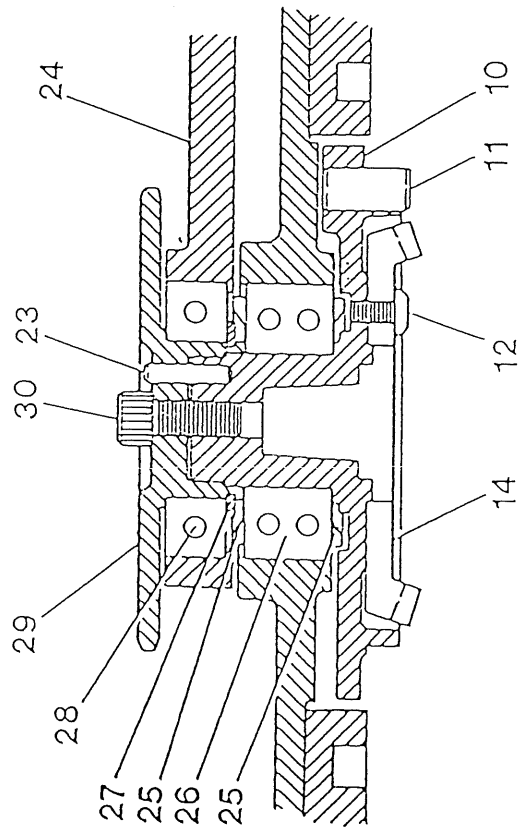
Item No:	Part No.	Description
40	8002647	2 litre Hopper Lid Kit (c/w items 41-45)
	8002648	1 litre Hopper Lid Kit (c/w items 41-45)
41	6902506	2 litre Hopper Hinge Pin - old
	6903011	2 litre Hopper Hinge Pin
	6902505	1 litre Hopper Hinge Pin - old
	2306009	M5 x 60 Hex. Bolt
42	2311132	M5 Flat Washer - Large Diameter
43	2211366	M5 Starlock Washer - Capped
	2303090	M5 Nyloc Nut
44	2212562	POP Rivet
45	2705009	Hopper Lid Clip
46	7402812	2 litre Hopper
	7402811	1 litre Hopper
47	2357022	M5 x 10 Taptite Pozidriv Pan Head Screw
48	2810206	Unit Plug
49	2705008	Plug Clip
50	6902586	Cover Plate

KITS

8010047	Seed Splitter Kit (items 19,29,30,31)
8002508	Hopper Kit - 2 litre
8002507	Hopper Kit - 1 litre



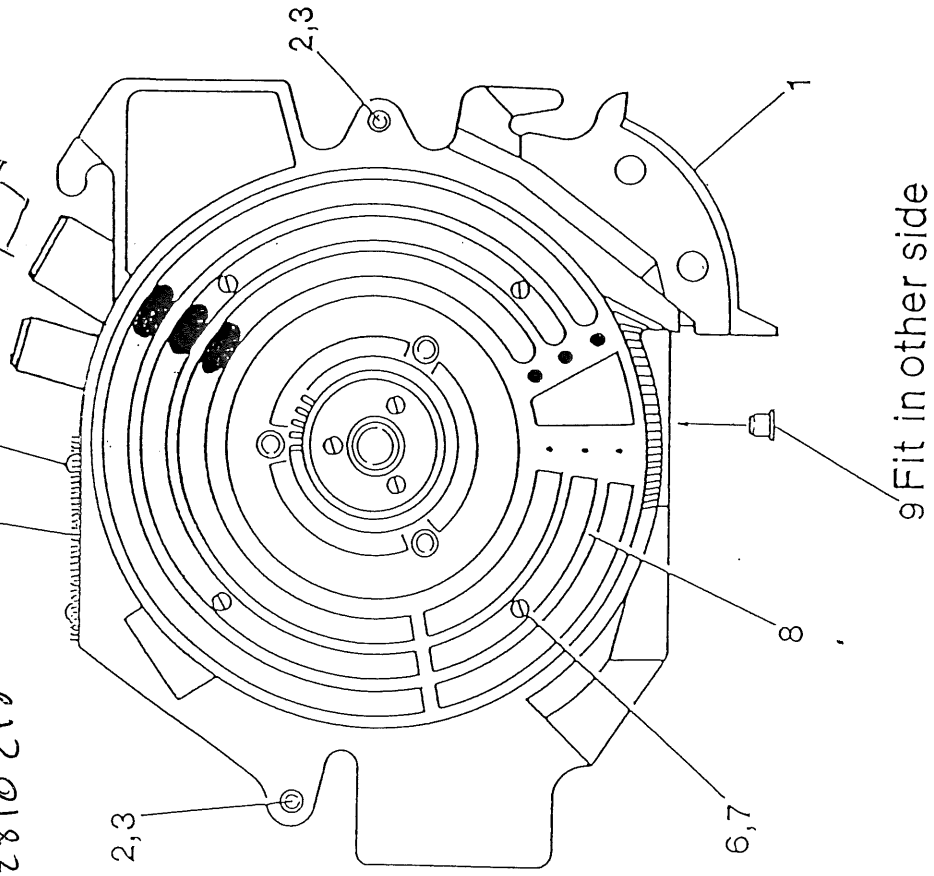
Style 2



Style 1

Plastic guard
arm moves on
Rub Pad
2810218

PVC connector
4300030



Singulaire 785

Metering Unit - Drive Side

Item No:	Part No:	Description:
1	7703248	Body - Drive Side
2	2309053	M8 x 50 Hexagon Head Screw
3	6902514	Unit Conical Nut
4	2357002	M3 x 6 Taptite Pozidriv Pan Head Screw
5	7702898	Singulator Brush - Drive Side
6	2332105	M5 x 16 Slotted Cheese Head Screw
7	2309090	M5 Nyloc Hexagon Nut
*8	2810205 2810224	Air Gallery Block 2303090
*8A	2810224	Red Air Gallery Block
**9	6402038	Plastic Plug

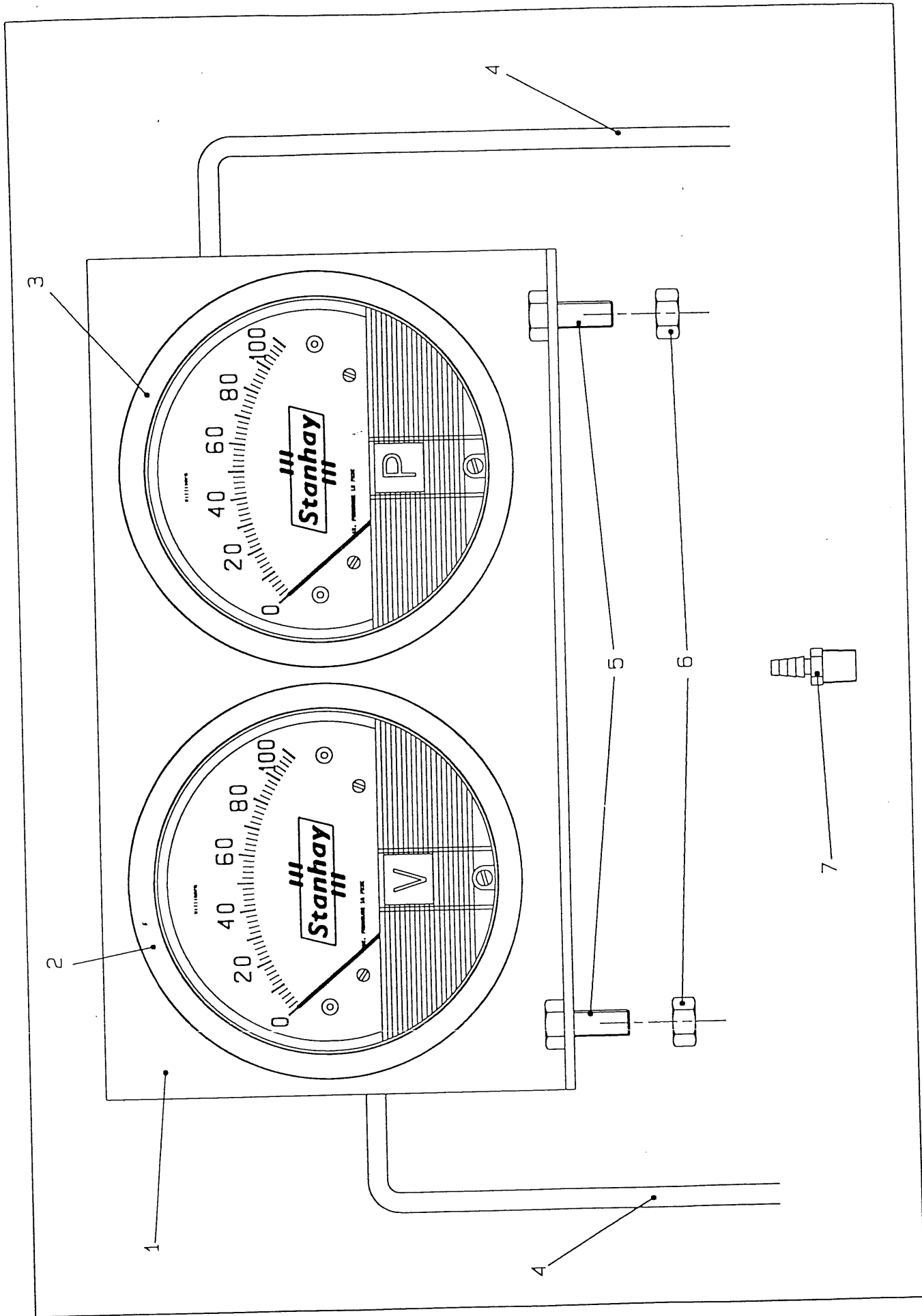
* Air Gallery Blocks:- when used to replace white air gallery blocks in metering units without felt seals :- To prevent leakage of small seeds (eg raw tomato, lettuce, carrots) it may be necessary to fit a steel shim (part number 6902805) between body and air gallery block

BODY/TURNTABLE/KNEE JOINT ASSEMBLY - STYLE 2

10	7702829	Turntable c/w items 11, 23
11	6409339	10 x 20 Dowel
12	2375022	M5 x 10 Taptite Pozidriv Pan Head Screw
13	2311132	M5 Flat Washer - Large Diameter
14	1502001	45T Crownwheel
15	6409402	Support Washer
16	1909029	Ball Bearing
17	2217215	Circlip
18	6409401	Support Shim (2 per unit)
19	7403153	24T Unit Sprocket
20	6902757	Unit Tab Washer
21	2377084	M8 x 35 Socket Button Head Screw
22	2303007	M8 Hexagon Nut
23	2215253	4 x 20 Tension Pin
24	6902858	Knee Joint Arm

BODY/TURNTABLE/KNEE JOINT ASSEMBLY - STYLE 1

10	7702829	Turntable c/w items 11, 23
11	6409339	10 x 20 Dowel
12	2357022	M5 x 10 Taptite Pozidriv Pan Head Screw
14	1502001	45T Crownwheel
24	7703030	Knee Joint Arm c/w item 28
25	4001021	Metal Seal (Nilos) (2 per unit)
26	1901407	Ball Bearing
27	2217010	Circlip
28	1901052	Ball Bearing
29	7402815	24T Unit Sprocket — 7403449 23T. 3PKT
30	2375081	M8 x 20 Socket Cap Screw



3

2

1

4

5

6

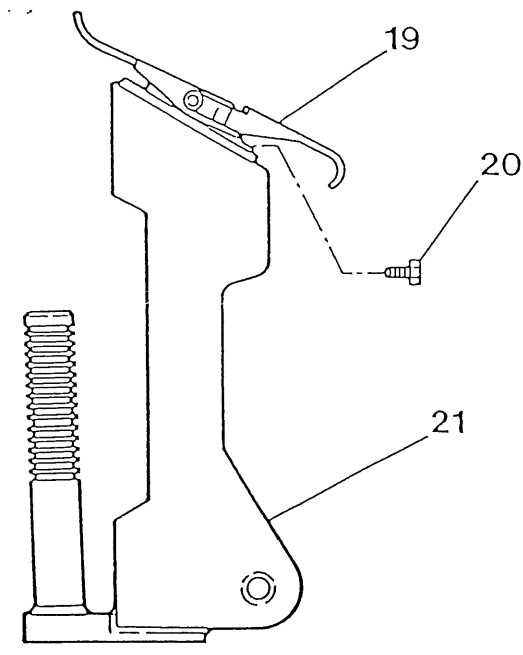
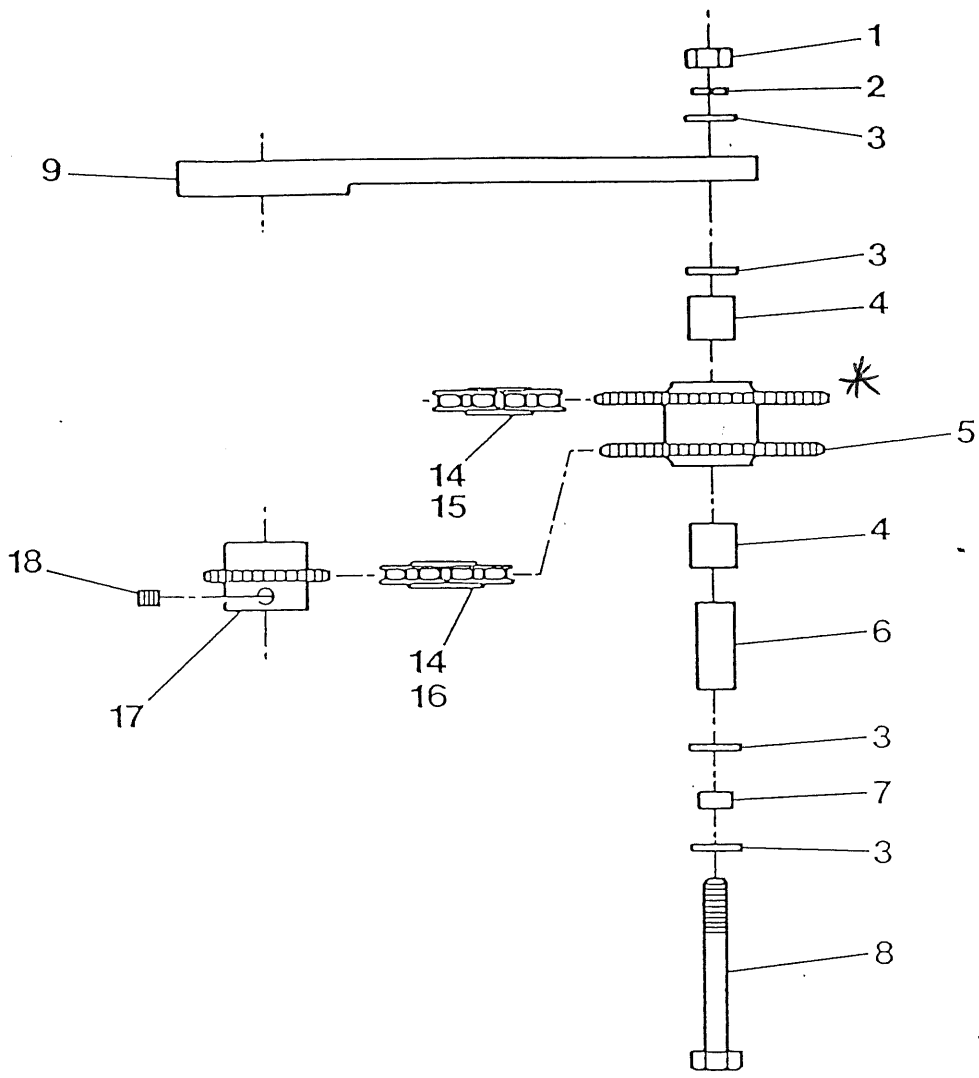
7

VACUUM & PRESSURE GAUGES

Item No:	Part No:	Description
1	6903204	Gauge Bracket
2	7703479	Vacuum Gauge
3	7703480	Pressure Gauge
4	4300027	Gauge Pipe
5	2309047	Set Screw
6	2303007	Hex. Nut
7	4107124	Firtree Nipple

1
KITS

8003157 Vacuum & Pressure Gauge Kit



* New style has 2 brgs
part # 1901045

SINGULAIRE 785

METERING UNIT - KNEE JOINT

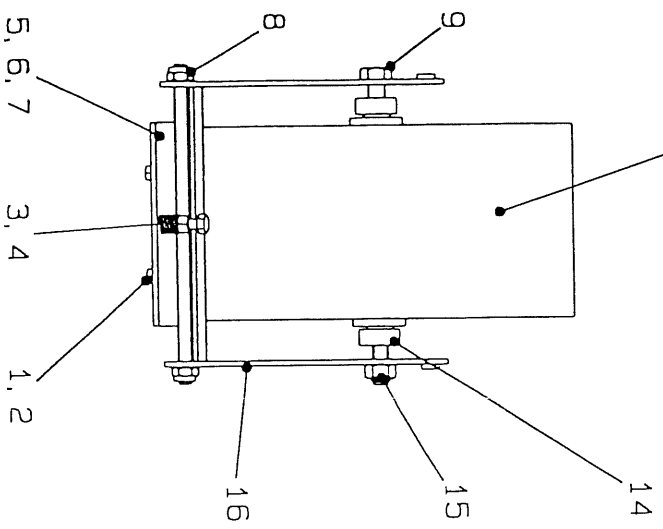
Item No:	Part No:	Description:
1	2303008	M10 Hexagon Nut
2	2311216	M10 Spring Washer
3	2311090	M10 Flat Washer
4	2001002	Oilite Bearing
5	7702694	23/24T Knee Joint Sprocket c/w item 4
6	6902513	Sprocket Spacer
7	7000022	Clamp Spacer
8	2306074	M10 x 80 Hexagon Head Bolt
9	6902858	Knee Joint Arm
14	1807101	Connecting Link
15	1807104	Chain - 55 pitches
16	1807114	Chain - 97 pitches (K.J. to Drive Shaft)
17	7700400	11T Shaft Sprocket c/w item 18
	7702695	16T Shaft Sprocket c/w item 18
	7703221	24T Shaft Sprocket c/w item 18
	7702970	18T Shaft Sprocket c/w item 18
	7702969	13T Shaft Sprocket c/w item 18
	7702872	12T Shaft Sprocket c/w item 18
	7703477	14T Shaft Sprocket c/w item 18
18	2374066	M8 x 8 Socket Set Screw
19	6903246	Toggle Clip
20	2309021	M5 x 10 Hexagon Head Screw
21	7402818	Depth Adjustment Bracket

ASSEMBLY

7702696 Depth Adjustment Bracket (items 19-21)

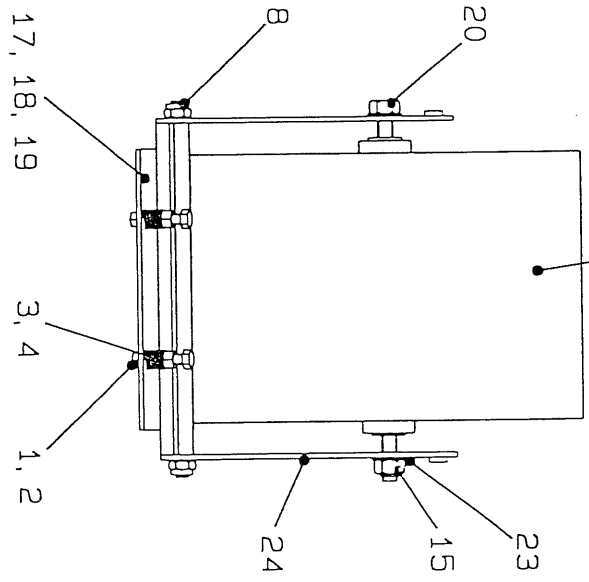
1807136 1 1/2 link

10, 11, 12, 13

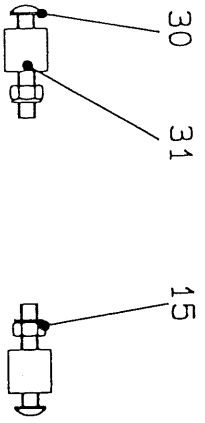


120 STAINLESS STEEL WHEEL

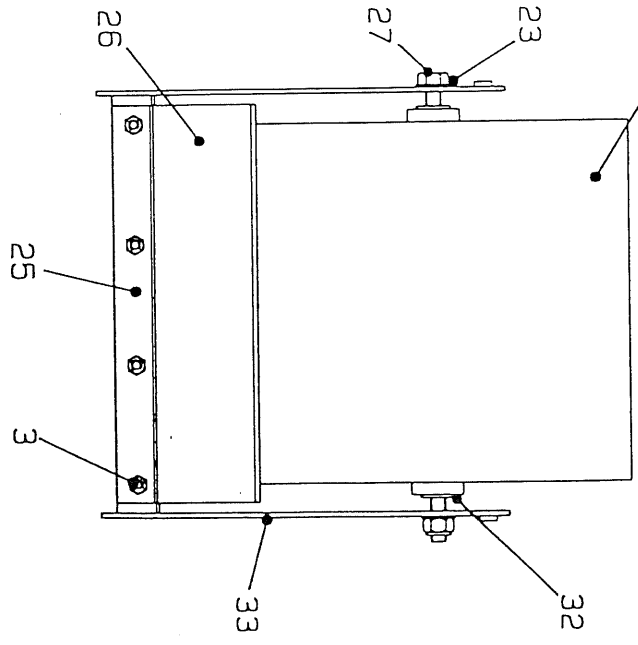
10, 11, 21, 22



160 STAINLESS STEEL WHEEL



10, 28, 29



210 STAINLESS STEEL WHEEL

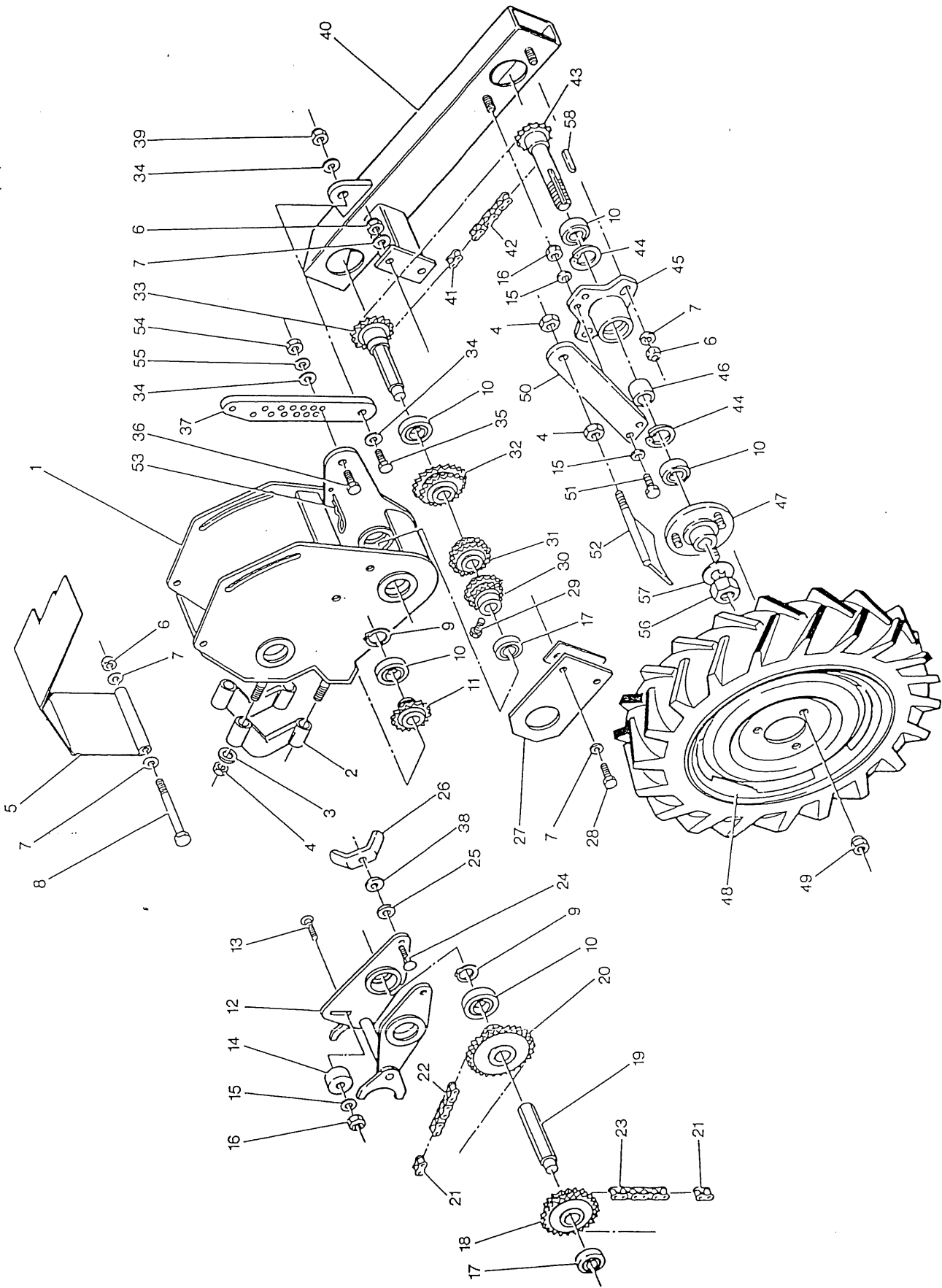
STAINLESS STEEL WHEELS

Item No:	Part No:	Description	Item No:	Part No:	Description
1	2309032	Set Screw	18	6903172	160 Scraper Clamp
2	2311088	Flat Washer	19	7403544	160 Scraper Pivot
3	2303091	Nyloc Nut	20	7403008	Bolt
4	2701044	Spring	21	6902610	Bearing Spacer
5	6903168	120 Scraper Blade	22	7402948	160 Wheel
6	6903171	120 Scraper Clamp	23	2311090	Flat Washer
7	7403543	120 Scraper Clamp	24	7403538	160 Scraper Frame
8	2303108	Nyloc Nut	25	6902861	210 Clamp Plate RW
9	2306084	Bolt		6903329	210 Clamp Plate FW
10	1901045	Bearing	26	6902860	210 Cleaner RW
11	2830001	Rubber Bung		6903310	210 Cleaner FW
12	6902390	Bearing Spacer	27	7403245	Bolt
13	7402708	120 Wheel	28	6902859	Bearing Spacer
14	6902620	Wheel Spacer	29	7403243	210 Wheel
15	2303109	Nyloc Nut	30	2377113	Skt Button Hd Screw
16	7403537	120 Scraper Frame	31	6902862	Extension Spacer
17	6903169	160 Scraper Blade	32	2311112	Flat Washer
			33	7403246	210 Cleaner Frame RW
				7403691	210 Cleaner Frame FW

ASSEMBLIES AND KITS

7702614	120 Wheel Assembly	8003131	160 Wheel & Scraper Kit
7703404	120 Scraper Assembly	8002662	160 Wheel Only Kit
8003130	120 Wheel & Scraper Kit	7703153	210 Wheel Assembly
8002661	120 Wheel Only Kit	8002852	210 Wheel & Cleaner Kit RW
7702840	160 Wheel Assembly	8002854	210 Wheel only Kit
7703405	160 Scraper Assembly	8003264	210 Wheel & Cleaner Kit FW

(L/H ILLUSTRATED)



4.00 - 16 TYRES

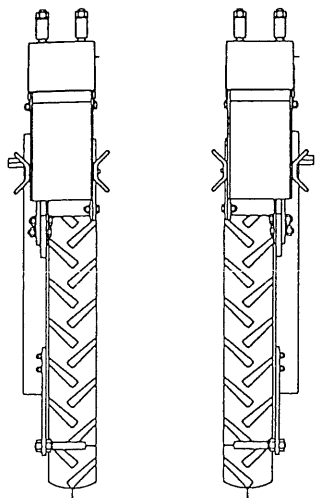
SINGULAIRE 785

MASTER LANDWHEEL/GEARBOX - 60 x 60 TOOLBAR

SINGLE WHEEL TYPE

4.00-16 - ROUND WHEEL SPINDLE

WHEEL TYPES



L/H

R/H

Note: L/R and R/L wheels may be fitted on either side of drill outfits.

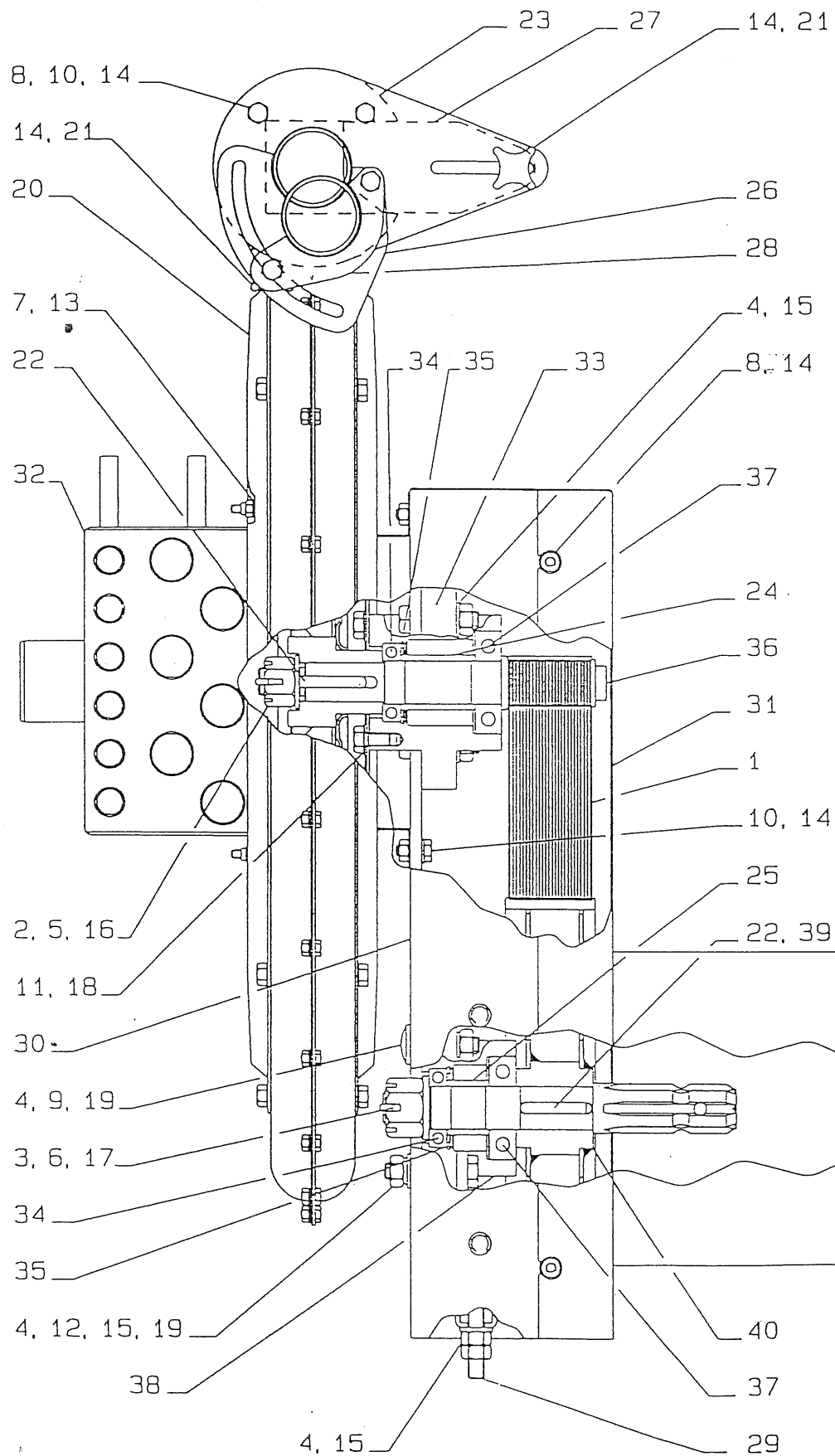
Item No:	Part No:	Description:
1	7402719	Gearbox Body L/H
	7402720	Gearbox Body R/H
2	7402662	Clamp Half
3	2311092	M16 Flat Washer
4	2303010	M16 Hexagon Nut
5	7402445	Gearbox Lid L/H
	7402860	Gearbox Lid R/H
6	2303109	M10 Nyloc Hexagon Nut - thin
7	2311090	M10 Flat Washer
8	2306082	M10 x 160 Hexagon Head Bolt
9	2217009	Circlip
10	1901051	Ball Bearing
11	7402808	21T Driven Sprocket
	6902326	Shaft Support (non driving wheels only)
12	7402687	Adjuster Frame
13	2306466	M8 x 40 Coach Bolt
14	6902235	Output Drive Jockey
15	2311089	M8 Flat Washer
16	2303092	M8 Nyloc Hexagon Nut
17	1901049	Ball Bearing
18	7703060	17/24T Sliding Sprocket
	1707090	13/30T Sliding Sprocket
	1707057	11T Sliding Sprocket
19	6902234	Output Shaft
20	7402807	19T Output Sprocket
21	1807101	Connecting Link (for items 22 & 23)
22	1807113	Chain - 42 pitches
23	1807110	Chain - 53 pitches

MASTER LANDWHEEL/GEARBOX - 60 x 60 TOOLBARSINGLE WHEEL TYPE4.00-16 TYRE - ROUND WHEEL SPINDLE — *standard*

Item No:	Part No:	Description:
24	2306488	M10 x 30 Coach Bolt
25	6902236	Quadrant Washer
26	6902742	Adjuster Frame Nut
27	6902229	Arm Pivot Plate
	6902325	Plate Packing (for adjustment)
28	2309063	M10 x 30 Hexagon Head Screw
29	2309061	M10 x 20 Hexagon Head Screw
30	1707083	16/17T Sprocket
31	1707084	18/19T Sprocket
32	1707085	20/21T Sprocket
33	7402467	16T Input Shaft
34	2311091	M12 Flat Washer
35	2306097	M12 x 45 Hexagon Head Bolt
36	2306097	M12 x 45 Hexagon Head Bolt
37	6902230	Wheel Strut
38	2311370	M10 Flat Washer - Extra Large
39	2303094	M12 Nyloc Hexagon Nut
40	7402434	Wheel Arm
41	1808065	Connecting Link
42	1808066	Chain - 87 pitches
43	7403158	16T Wheel Spindle
44	2217208	Circlip
45	3000657	Landwheel Hub
46	6902673	Bearing Spacer - landwheel
47	7703048	Wheel Centre c/w studs
	5700339	Wheel Stud
48	5700336	Landwheel L/H (c/w tyre & tube)
	5700337	Landwheel R/H (c/w tyre & tube)
	5700333	Wheel
	5700334	Tyre
	5700335	Tube
49	5700340	Wheel Nut
50	6902239	Scraper Arm
51	2309049	M8 x 30 Hexagon Head Screw
52	7402446	Landwheel Scraper
53	2316033	R-clip
54	2303009	M12 Hexagon Nut
55	2311217	M12 Spring Washer
56	2303013	M30 Hexagon Nut
57	6902759	Tab Washer - Landwheel
58	6413059	Key - Wheel Centre

ASSEMBLIES

7703053	Single Landwheel L/H) Drill and
7703054	Single Landwheel R/H) Granyl Drive
7703049	Single Landwheel L/H) Granyl
7703050	Single Landwheel R/H) Drive



SINGULAIRE 785

FAN & DRIVE (Style 2)

Item No:	Part No:	Description:
1	1323003	26 Rib Poly-V Belt <i>1168 mm</i>
2	2215587	4 x 40 Steel Split Pin
3	2215613	5 x 40 Steel Split Pin
4	2303009	M12 Hexagon Nut
5	2303078	M20 Hexagon Slotted Nut
6	2303079	M24 Hexagon Slotted Nut
7	2303091	M6 Nyloc Hexagon Nut
8	2303092	M8 Nyloc Hexagon Nut
9	2306515	M12 x 50 Coach Bolt
10	2309047	M8 x 20 Hexagon Head Screw
11	2309061	M10 x 20 Hexagon Head Screw
12	2309084	M12 x 60 Hexagon Head Screw
13	2311088	M6 Flat Washer
14	2311089	M8 Flat Washer
15	2311091	M12 Flat Washer
16	2311093	M20 Flat Washer
17	2311094	M24 Flat Washer
18	2311112	M10 Flat Washer
19	2311217	M12 Spring Washer
20	4801007	Fan Unit
21	6404026	M8 Knob
22	6413057	Key
23	6902526	Vacuum Baffle Guide
24	6903048	Bearing Spacer
25	6903049	Bearing Spacer
26	7403438	Pressure Outlet
27	7403439	Vacuum Baffle Plate
28	7403440	Pressure Adjuster
29	7403441	Belt Tensioner
30	7403442	Fan Drive Case
31	7403443	Drive Cover
32	7403444	Air Manifold
33	6903045	Impeller Shaft Housing
34	1901051	Ball Bearing
35	2217208	Internal Circlip
36	6903047	Impeller Shaft
37	1901161	Ball Bearing
38	6903044	Drive Shaft Housing
39	6903046	Drive Shaft
40	7403445	PTO Pulley

4801009

Impeller 24.2"

SINGULAIRE 785

FAN & DRIVE (Style 2)

Item No:

Part No:

Description:

Assemblies:

7703297	Fan & Drive - Toolbar Drills
7703388	Fan & Drive - Yoke Bar Drills
7703293	Impeller Shaft Housing Assembly (items 33-35)
7703294	Drive Shaft Housing Assembly (items 34, 35 and 38)
7703295	Impeller Shaft Assembly (items 36 and 37)
7703296	Drive Shaft & Pulley Assembly (items 22, 37, 39 and 40)

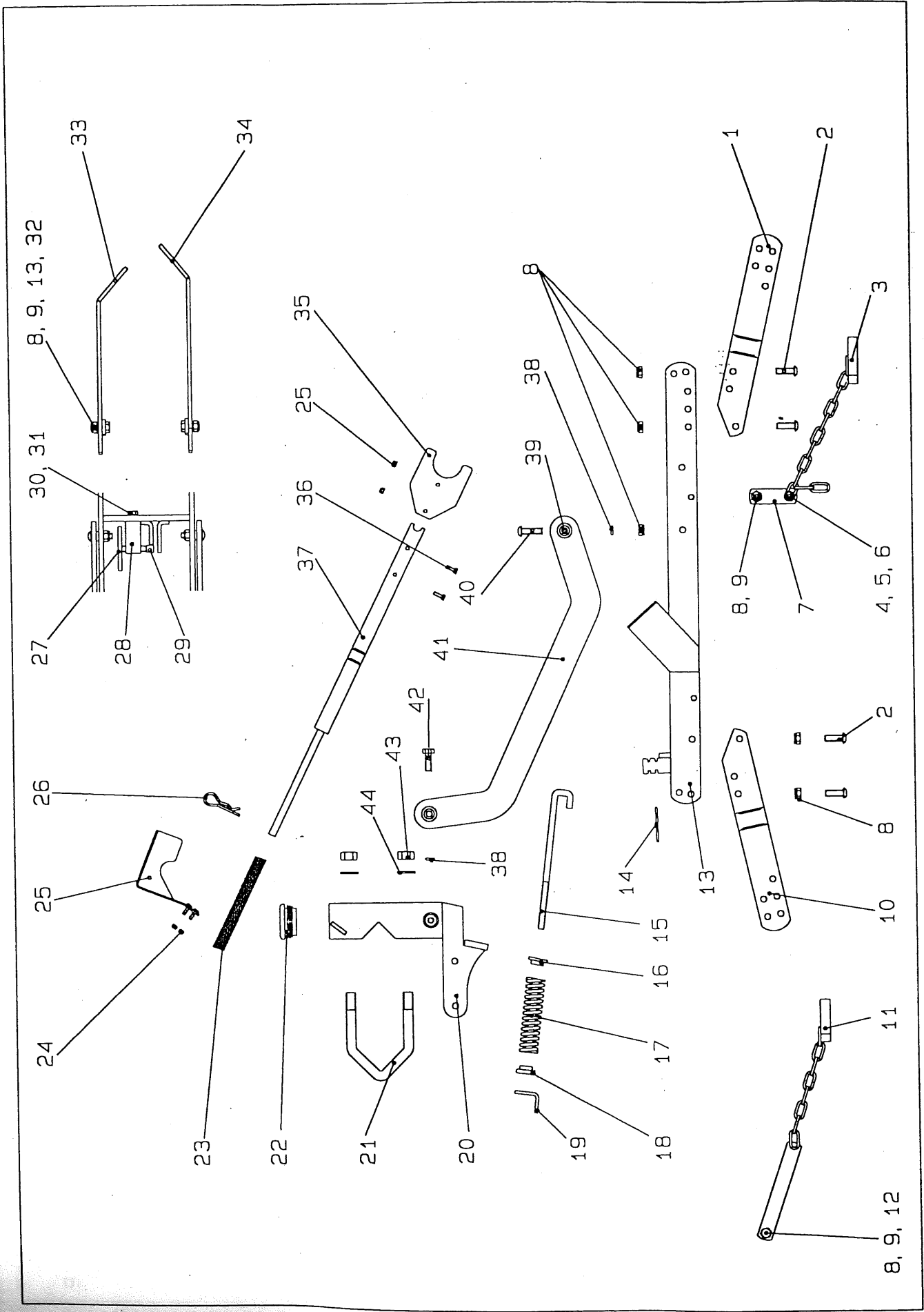
Not Illustrated:

2316008	Vacuum Hose Clip
2316012	Pressure Feed Hose Clip
- 4300018	Pressure Hose <i>Grey 20 mm</i>
- 4300029	Vacuum Hose <i>32 mm</i>
6402007	Plastic Cap - Pressure
6402041	Plastic Cap - Vacuum
6902592	Pressure Feed Hose
7403523	PTO Guard - Yoke Bar Fan
2309045	M8 x 12 Hexagon Head Screw (for attaching above item)

For Yoke Bar Drills:

31	7403522	Drive Cover
39	6903162	Drive Shaft
	7703394	Drive Shaft & Pulley Assembly (items 22, 37, 39 and 40)

6902592 1200 mm hose



785 CHASSIS

Item No:	Part No:	Description	Item No:	Part No:	Description
1	6902655	Chassis Extension L/H	23	2701059	Knee Joint Spring
2	2377107	Socket Head Screw	24	2303090	Nyloc Nut
3	7403549	Multi Line Drag Coverer	25	7403457	Top Guard
4	2303092	Nyloc Nut	26	2316033	'R' Clip
5	2309047	Set Screw	27	7403051	Unit Clamp
6	2311134	Flat Washer	28	6902797	Clamp Screw Post
7	6903175	Coverer Mounting Plate	29	6902683	Clamp Screw Anvil
8	2303109	Nyloc Nut	30	2309048	Set Screw
9	2309062	Set Screw	31	2311089	Flat Washer
10	6902656	Chassis Extension R/H	32	6902658	Arm Coverer Spacer
11	7403455	Single Line Drag Coverer	33	7403426	R/H Arm Coverer
12	2311112	Flat Washer	34	7403425	L/H Arm Coverer
13	7403005	Chassis	35	6903066	Bottom Chain Guard
14	2705001	Coulter Clip	36	2309023	Set Screw
15	6903005	Chassis Spring Rod	37	7400007	Spring Rod
16	2810067	Spring Guide Collar	38	6902090	Pivot Spacer
17	2701006	Chassis arm Spring	39	1901045	Bearing
18	2810068	Spring End Collar	40	2377108	Socket Head Screw
19	6903006	Spring Tensioner	41	7403399	Chassis Arms
20	7403398	Chassis Headstock	42	2309404	Set Screw
21	8002125	U-Bolt C/W 43, 44	43	2303010	Hex. Nut
22	6402015	Insert	44	2311090	Flat Washer

ASSEMBLIES AND KITS

7703270	Chassis Arm Assembly	8003141	Drag Coverer Kit Multi Line
7703094	Unit Clamp Screw Assembly	8003013	Drag Coverer Kit Single Line
8003004	Arm Coverer Kit	8002655	Chassis Rear Extension Kit