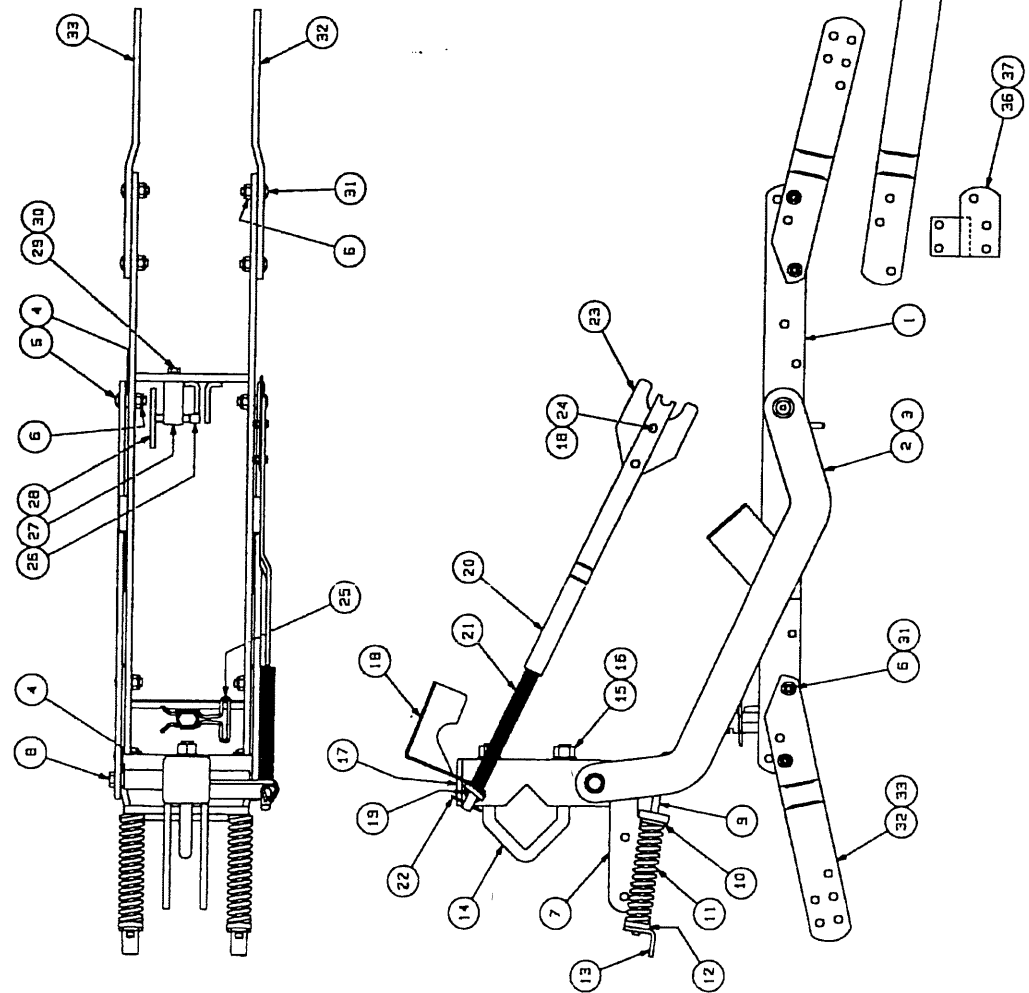


1	7403005	CHASSIS-WA	1
2	7703270	CHASSIS ARMS-ASSY	1
3	1901045	BALL BEARING	1
4	6902090	PIVOT SPACER	4
5	2377108	SOCKET BUTTON SCREW	4
6	2303109	NYLOC NUT-THIN	2
7	7403398	CHASSIS H'STOCK-WA	6
8	2309404	HEXAGON SCREW	1
9	6903005	CHASSIS SPRING ROD	2
10	2810067	SPRING GUIDE COLLAR	2
11	2701006	CHASSIS ARM SPRING	2
12	2810068	SPRING END COLLAR	2
13	6903006	SPRING TENSIONER	2
14	8002125	U-BOLT C/W ITEMS 15, 16	2
15	2311092	FLAT WASHER-FORM A	1
16	2303010	HEXAGON NUT	2
17	6402015	PLASTIC INSERT	1
18	7403457	TOP GUARD-WA	1
19	2303090	NYLOC NUT-FULL	4
20	7400007	SPRING ROD-WA	1
21	2701059	785 KJ SPRING	1
22	2316033	R-CLIP	1
23	6903056	BOTTOM GUARD	1
24	2309023	HEXAGON SCREW	1
25	2705001	COULTER CLIP	2
26	6902683	CLAMP SCREW ANVIL	1
27	6902797	CLAMP SCREW POST	1
28	7403051	UNIT CLAMP SCREW-WA	1
29	2311089	FLAT WASHER-FORM A	1
30	2309048	HEXAGON SCREW	1
31	2377107	SOCKET BUTTON SCREW	4
32	6902655	CHASSIS EXTENSION LH	2
33	6902656	CHASSIS EXTENSION RH	2
34	6903089	CHASSIS EXT.-LONG-LH	1
35	6903090	CHASSIS EXT.-LONG-RH	1
36	7403354	DROP PLATE LH-WA	1
37	7403355	DROP PLATE RH-WA	1

* - INCLUDES ITEM 3
 ** - USE WHEN SEED PRESS WHEELS & GRANYL FISHTAIL ARE FITTED.

ASSEMBLIES & KITS
 7703094 UNIT CLAMP (ITEMS 26-30)
 8003655 REAR EXTENSION KIT (ITEMS 6, 31, 32, 33)
 8003083 REAR EXT.-LONG KIT (ITEMS 6, 31, 34, 35)
 8002910 DROP PLATE KIT (ITEMS 6, 31, 36, 37)



785 CHASSIS - 60 X 60 TOOLBAR