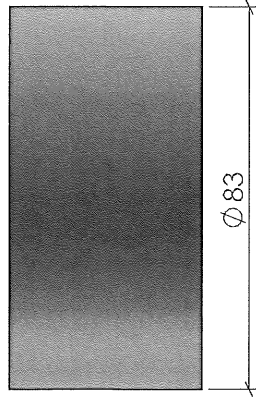


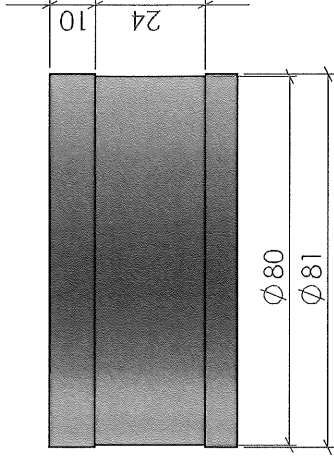
**NOTES:**

- ALL DIMENSIONS IN MM UNLESS OTHERWISE NOTED.
- DO NOT SCALE DRAWING.

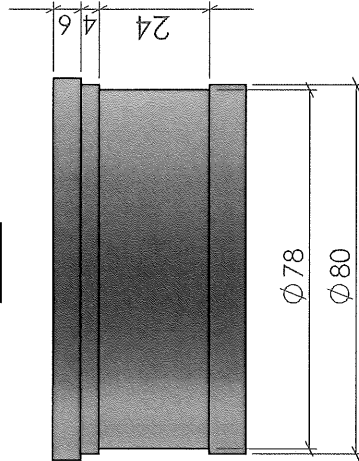
**No. 1**



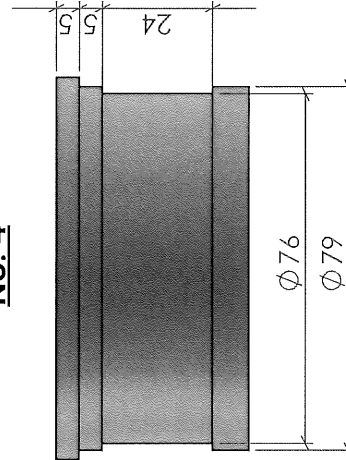
**No. 2**



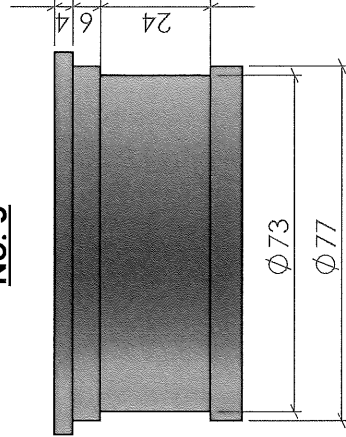
**No. 3**



**No. 4**



**No. 5**



**Greentech Robotics**  
36 Victoria Avenue  
Palmerston North, 4410  
Telephone : +64 6 359-0077  
Facsimile : +64 6 329-4784  
Mobile : +64 21 956 364  
E-mail: info@rogparking.com

**COPYRIGHT**  
ALL RIGHTS RESERVED  
Scale: 2:3  
Sheet: 1 OF 1

Drawn By: **Jono Williams**  
Date: **28/10/2021**  
Checked By:

Title:  
Product:  
Material:

Seedspider Sponge Sizes  
Part No: