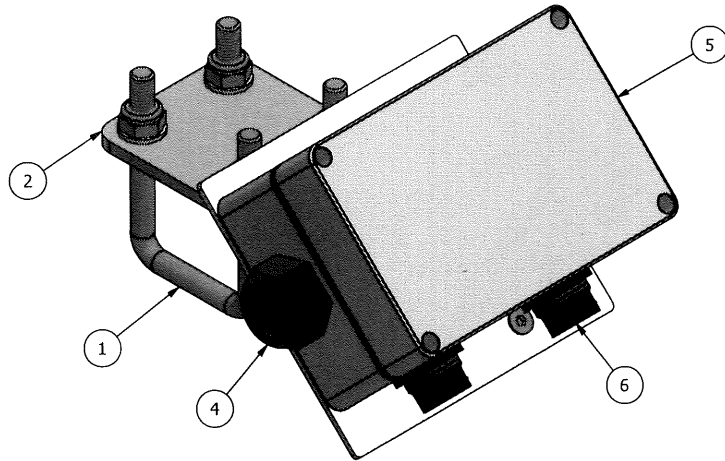
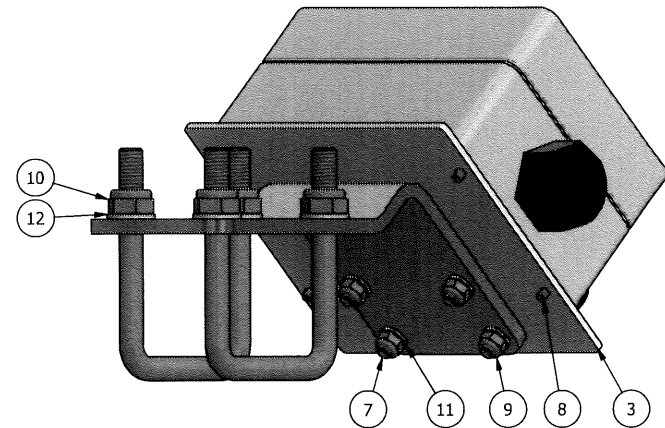


SCALE:1 : 2  
MATERIAL:

120976 11550 Rotor control box and mount A



120976 11550 Rotor control box and mount A



PARTS LIST				
ITEM	QTY	PART NUMBER	REV No	DESCRIPTION
1	2	8672	A	U bolt 50x50xM10
2	1	11550	A	Processor / Canbus Junction Box 45deg Mount Bracket
3	1	12847	A	Inrow rotor control box mount profile
4	2	120217	A	Cable Gland Metric With Locknut IP68 M25 13mm-18mm
5	1	120976	A	Inrow rotor control side box
6	2	121142	A	Chassis Connector 7 way, F, Skt, twist lock UTS series
7	4	Bolt M6 x 20 C/sunk Allen head Bzp		Bolt Countersunk Allen head 8.8 Bzp <i>M6x20 C/S</i>
8	4	Bolt Socket Cap M4 x 10 BZP		Socket cap Bolt 12.9 Bzp <i>M4x10 S/C</i>
9	4	NUT NYLOC M6		Hex Nut Nyloc Std thread <i>M6 NUT</i>
10	4	Nut nyloc M10		Hex Nut Nyloc Std thread <i>M10 NUT</i>
11	4	Washer flat M 6 form A Bzp		Washer Flat form A Bzp <i>M6 FW</i>
12	4	Washer flat M 10 form A Bzp		Washer Flat form A Bzp <i>M10 FW</i>

**garford farm machinery ltd**

Tel: +44(0)1778 342642

**GENERAL TOLERANCES**  
 0,0mm = ± 0,25mm  
 0,6mm = ± 0,1mm  
 0,00mm = ± 0,05mm  
 0 DEG = ± 0,5 Deg

MODEL BY	Morgan Kendle	SHEET	1 / 1
DRAWN BY	michael.earl	DATE	15/11/2022
DESCRIPTION			
PART NUMBER			
ISSUE			

DWG ISSUE	PART REV	CHANGE BY	DATE	INITIAL RELEASE	DESCRIPTION