



Matador 7900



Parts Catalogue
June 2009

AgLand
INDUSTRIES INC.

Replacement Parts

To obtain prompt, efficient service, give the dealer the following information.

1. Correct stock number.
2. Model number of the machine.
3. Serial number of the machine.

The serial number is important in identifying your machine. It contains information for ordering replacement parts and options which may vary depending on the serial number identification.

Measurements are given in U.S. units followed by the equivalent in metric units. Hardware sizes are given in inches for the U.S. hardware and millimeters for the metric hardware.

All nuts and bolts are specified in Grade 5 unless otherwise specified.

AgLand	
Box 479 Arborg MB, R0C 0A0	
Model #:	Matador 7900
Serial #:	
Made in Canada	

Serial # on plate inside right side cover.

Table of Contents

Matador 7900 Parts Order Form **Front of Catalogue**

Main Frame & Wheel Assembly..... **2-3**

Wheel Hub Assembly **4-5**

Pickup

 Left Side 6-9

 Right Side..... 10-13

Hydraulics..... **14-15**

Lift - Hydraulic..... **16-17**

Moldboard **18-19**

Decals **20-21**

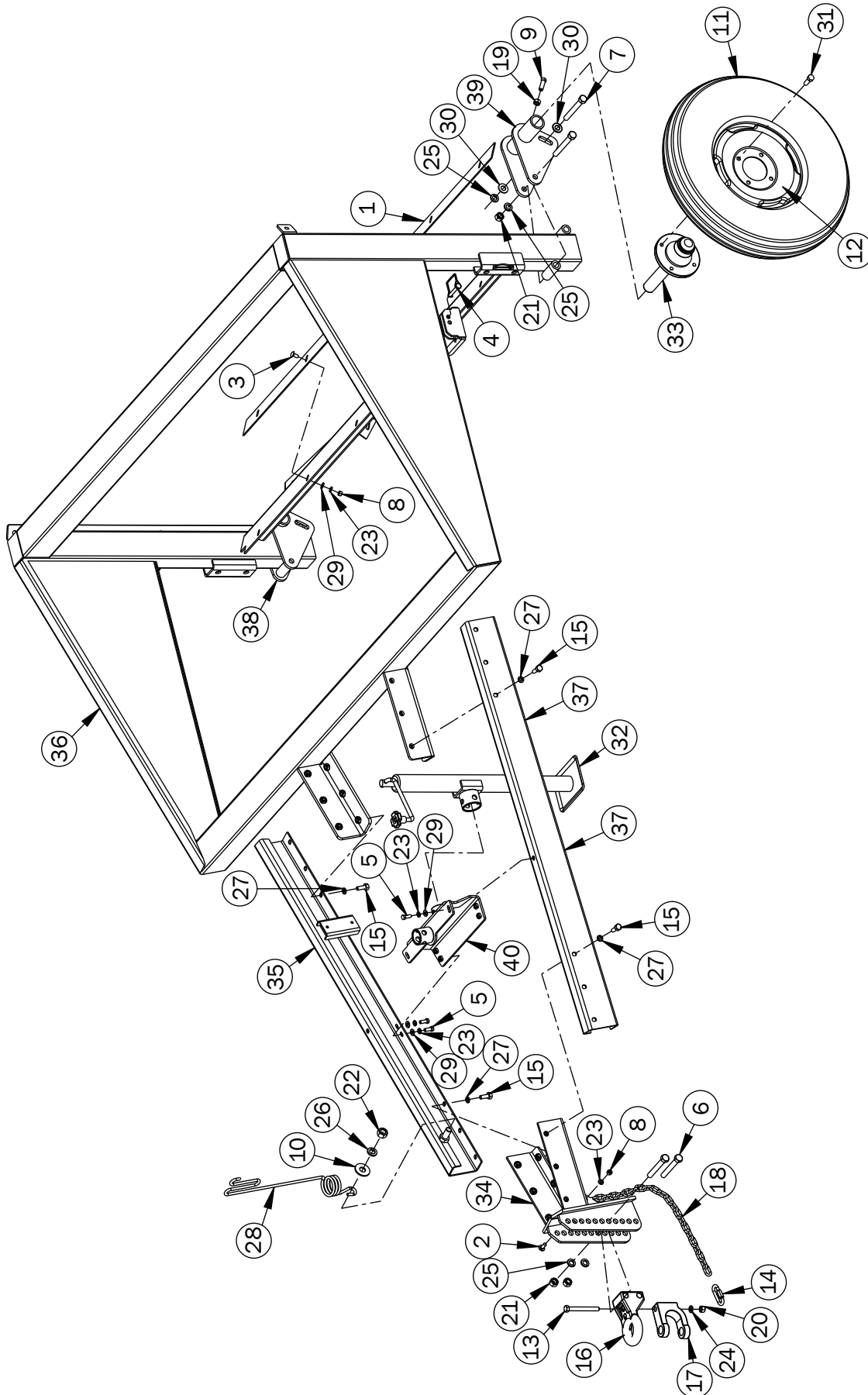
Index

 Stock Numbers 22-24

 Drawing Numbers..... 25-27

Warranty **Back Cover**

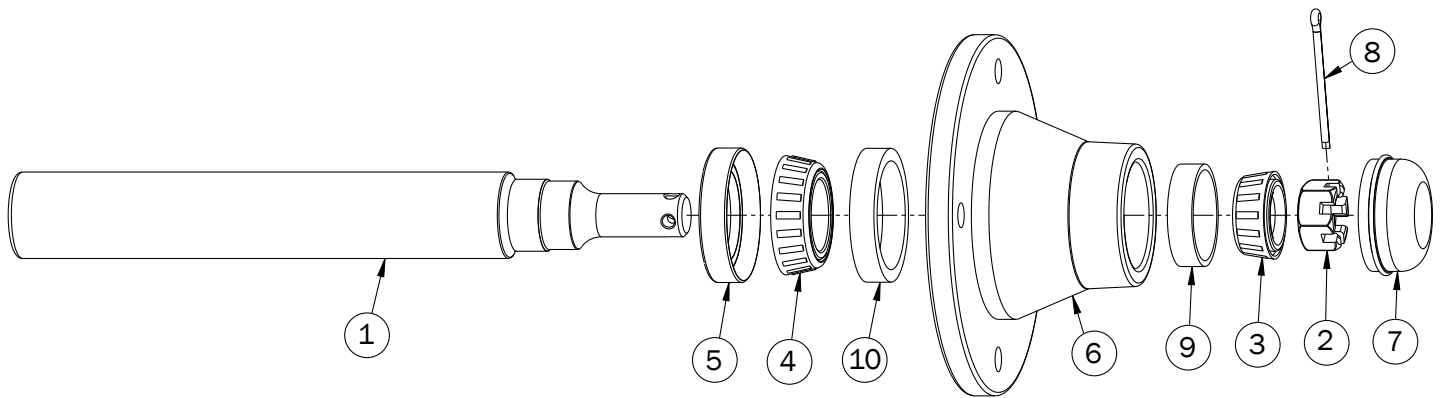
Main Frame & Wheel Assembly



Main Frame & Wheel Assembly

Item No.	Stock No.		Description	Qty.
1	802707	79020A	Blade, Shear	2
2	800057	800057	3/8" x 1" Bolt, Carr.	1
3	800061	800061	3/8" x 3/4" Bolt, Carr.	6
4	800162	800162	Pin, Quick, 3/8" x 2-1/4"	1
5	800195	800195	3/8" x 1" Bolt, Standard	6
6	800216	800216	5/8" x 4-1/2" Bolt, Standard	2
7	800217	800217	5/8" x 5" Bolt, Standard	4
8	800236	800236	3/8" Nut, Standard	7
9	800258	800258	1/2" x 1-1/2" Setscrew, Sq Hd	2
10	800278	800278	3/4" Washer, Flat	1
11	802839	802839	Tire, Wheel & Valve Stem	2
12	802840	802840	Rim, 15 x 4.5 x 4 Bolt	2
13	803616	803616	1/2" x 4-1/2" Bolt, Fine Thread, Gr. 8	1
14	803622	803622	Quick Link, Chain, 5/16"	1
15	803625	803625	7/16" x 1-1/4" Bolt, Standard	24
16	804090	804090	Cast Hitch Top	1
17	804093	804093	Cast Hitch Clevis	1
18	804110	804110	Chain, Travel Safety	1
19	804196	804196	1/2" Nut, Standard	2
20	804197	804197	1/2" Nut, Standard, Fine Thread	1
21	804198	804198	5/8" Nut, Standard	6
22	804199	804199	3/4" Nut, Standard	1
23	804366	804366	3/8" Washer, Lock	13
24	804367	804367	1/2" Washer, Lock	1
25	804368	804368	5/8" Washer, Lock	6
26	804369	804369	3/4" Washer, Lock	1
27	806556	806556	7/16" Washer, Lock	30
28	807513	807513	Spring - Hose Holder	1
29	807523	807523	3/8" SAE Washer, Flat	12
30	807525	807525	5/8" SAE Washer, Flat	4
31	807624	807624	Wheel Bolt, 1/2" x 1-3/4" NF	8
32	808817	808817	Jack, Top Wind	1
33	807626	A79175	Wheel Hub Assembly (See pages 4-5)	2
34	802845	W79001	Hitch, A-Frame	1
35	802691	W79006	Arm, Hitch, R/H	1
36	808729	W79011	Main Frame, Matador	1
37		W79036	Channel, R/H, A-Frame	1
38	802754	W79092	Mount, Spindle, Wheel, R/H	1
39	802756	W79094	Mount, Spindle, Wheel, L/H	1
40		W79472	Bracket, Jack Mount	1

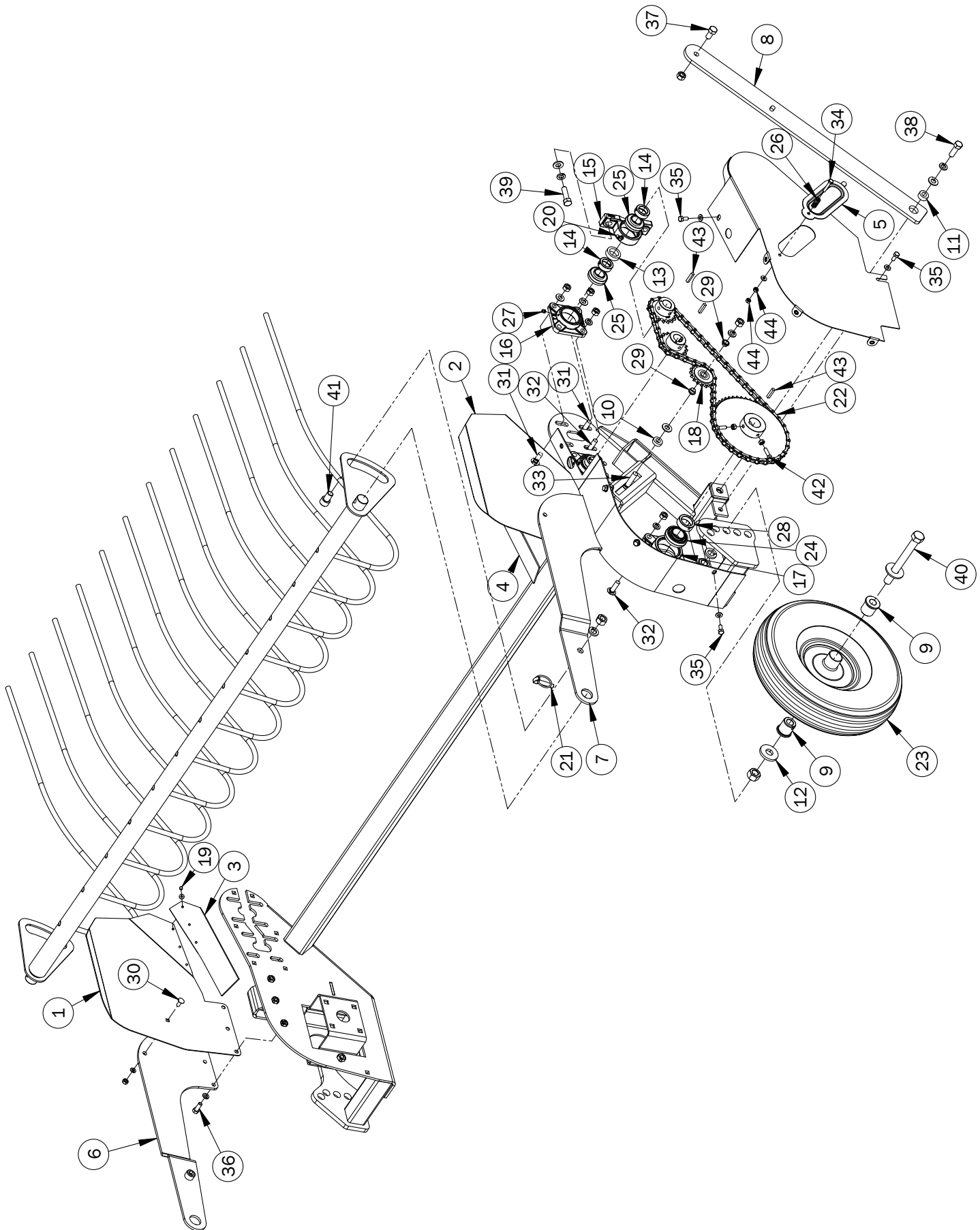
Wheel Hub Assembly



Wheel Hub Assembly

Item No.	Stock No.		Description	Qty.
1	807627	79175	Spindle	1
2	800128	800128	Nut	1
3	807621	807621	Bearing	1
4	807622	807622	Bearing	1
5	807623	807623	Seal, Oil	1
6	807628	807628	Hub	1
7	807629	807629	Hub Cap	1
8	808885	808885	Cotter Pin	1
9	809043	809043	Bearing Race	1
10	809044	809044	Bearing Race	1

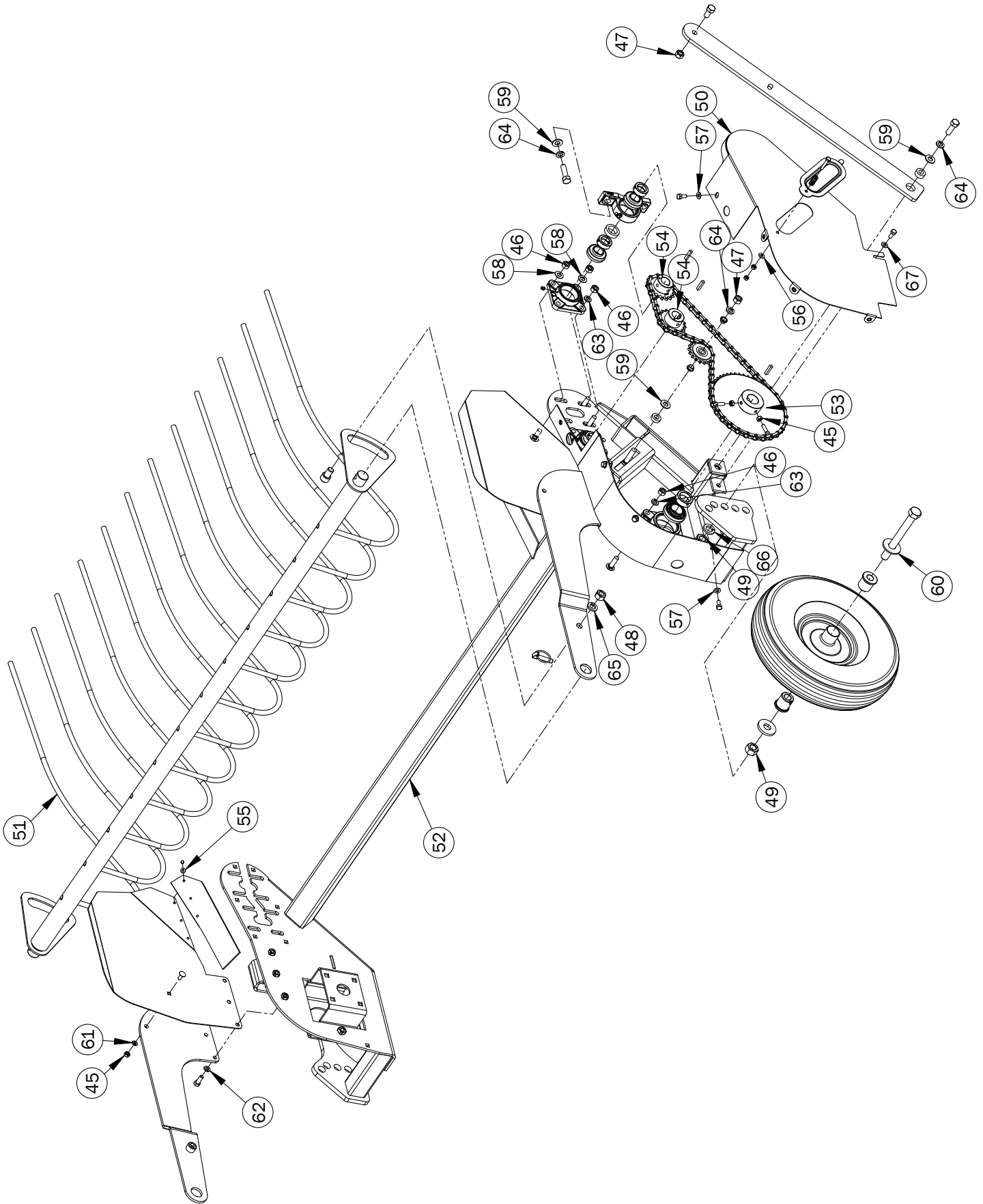
Pickup - Left Side



Pickup - Left Side

Item No.	Stock No.	Description	Qty.
1	808599 79075	Guard, Swath R/H	1
2	808602 79076	Guard, Swath L/H	1
3	802739 79081A	Rubber, Flap, Swath Guard, R/H	1
4	802742 79082A	Rubber, Flap, Swath Guard, L/H	1
5	802751 79085	Cover, Service	1
6	808608 79089	Arm, Comb R/H	1
7	808604 79090	Arm, Comb L/H	1
8	802813 79169	Bar, Lift	1
9	802607 79177	Bushing, Gauge Wheel	4
10	802823 79210	Bushing, Lift Bracket	1
11	802826 79215	Bushing, Travel Lift Arm	1
12	810590 79217	Spacer, Gauge Wheel	2
13	802498 79488	Bushing, Roller Drive Sprocket	1
14	800045 800045	Locking Collar, 1"	3
15	800046 800046	Housing, 2 Bolt	1
16	800096 800096	Housing, 4 Bolt	2
17	800097 800097	Housing, 4 Bolt	1
18	800131 800131	Idler Sprocket, 0.625"	1
19	800159 800159	Rivet, Steel, Blind, 0.187"	6
20	800759 800759	Nipple, Grease, 90 Degree, 1/4" NF	1
21	801818 801818	Pin, Lynch, 7/16"	2
22	802499 802499	Chain, Pickup Drive	1
23	802838 802838	Gauge Tire with Rim	2
24	804061 804061	Bearing	1
25	804062 804062	Bearing	3
26	804301 804301	Spring, Compression	1
27	807558 807558	Nipple, Grease 1/4" NF	3
28	808355 808355	Locking Collar, 1.250"	1
29	808647 808647	Bushing, Idler Sprocket, 0.5"	2
30	800062 800062	5/16" x 3/4" Bolt, Carr.	2
31	800073 800073	7/16" x 1-1/4" Bolt, Carr.	2
32	800072 800072	7/16" x 1-1/2" Bolt, Carr.	10
33	808884 808884	1/2" x 2" Bolt, Carr.	1
34	800180 800180	1/4" x 1-1/2" Bolt, Standard	1
35	800209 800209	5/16" x 3/4" Bolt, Standard	5
36	800195 800195	3/8" x 1" Bolt, Standard	6
37	800164 800164	1/2" x 1" Bolt, Standard	1
38	800165 800165	1/2" x 1-1/2" Bolt, Standard	1
39	800167 800167	1/2" x 1-3/4" Bolt, Standard	2
40	800194 800194	3/4" x 7" Bolt, Standard	2
41	800231 800231	5/8" x 1" Cap Screw, Socket Head	2
42	800261 800261	5/16" x 1" Setscrew, Sq Hd	6
43	803660 KE1605	1/4" x 1-1/4" Key	3
44	800233 800233	1/4" Nut, Standard	2

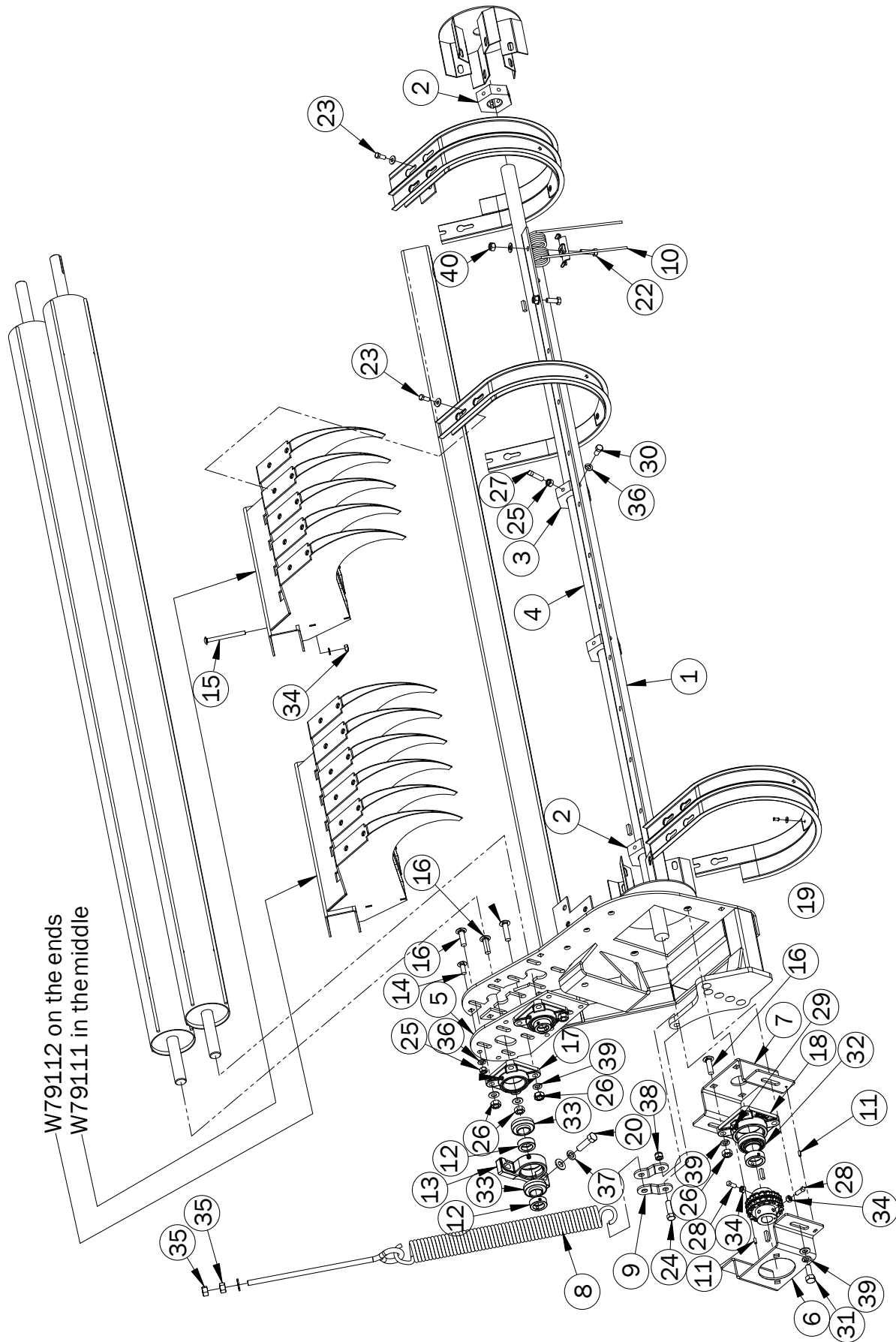
Pickup - Left Side con't



Pickup - Left Side con't

Item No.	Stock No.	Description	Qty.	
45	804194	5/16" Nut, Standard	8	
46	800240	7/16" Nut, Standard	12	
47	804196	1/2" Nut, Standard	2	
48	804198	5/8" Nut, Standard	2	
49	804199	3/4" Nut, Standard	4	
50	810600	W79098	Cover, Chain	1
51	808742	W79114	Comb Weldment	1
52	810596	W79126	Frame, Pickup	1
53	802493	W79480	Sprocket, Pickup Drive	1
54	802495	W79485	Sprocket with 1" Hub	2
55	800276	800276	Number 10 Washer, Flat	6
56	808781	808781	1/4" SAE Washer, Flat	1
57	807522	807522	5/16" SAE Washer, Flat	4
58	807799	807799	7/16" SAE Washer, Flat	2
59	807524	807524	1/2" SAE Washer, Flat	4
60	800278	800278	3/4" Washer, Flat	2
61	807528	807528	5/16" Washer, Lock	2
62	804366	804366	3/8" Washer, Lock	6
63	806556	806556	7/16" Washer, Lock	10
64	804367	804367	1/2" Washer, Lock	4
65	804368	804368	5/8" Washer, Lock	2
66	804369	804369	3/4" Washer, Lock	2
67	804361	804361	5/16" Washer, Flat	1

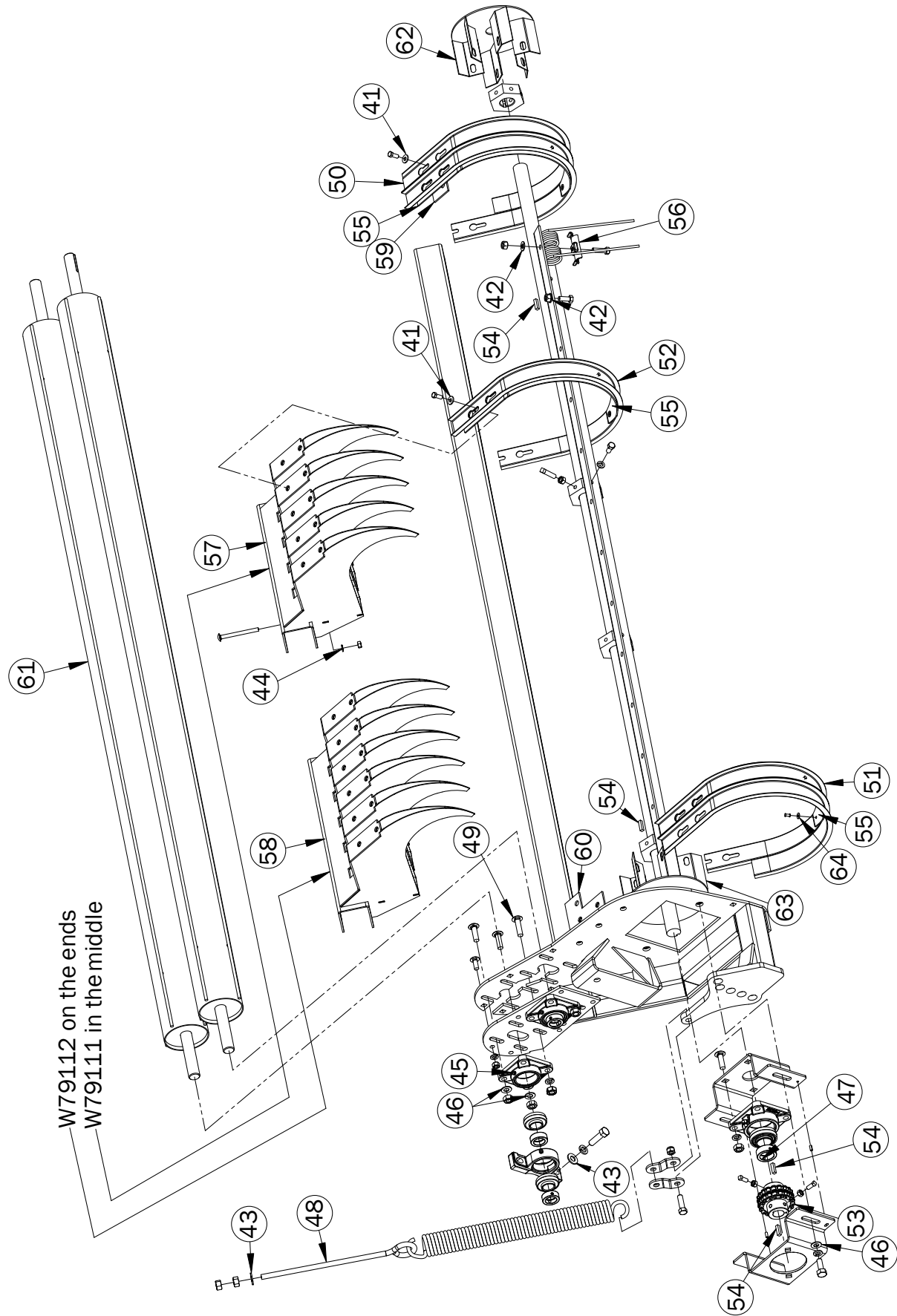
Pickup - Right Side



Pickup - Right Side

Item No.	Stock No.	Description	Qty.
1	802759 79095	Angle, Tine Bar	6
2	807023 79096	Block, Hex	2
3	807022 79097	Block, Hex	2
4	802760 79099	Shaft	1
5	802782 79123	Support, Bearing	1
6	802792 79138	Bracket, Motor	1
7	802794 79139	Bracket, Bearing	1
8	808697 79151	Spring, Lift, Pickup	1
9	802812 79154	Link, Spring	2
10	801733 79190	Tooth, Pickup	78
11	809325 79237	Pin, Spring, 0.187" x 0.5"	2
12	800045 800045	Locking Collar, 1"	3
13	800046 800046	Housing, 2 Bolt	1
14	800057 800057	3/8" x 1" Bolt, Carr.	6
15	800063 800063	5/16" x 3-1/2" Bolt, Carr.	12
16	800072 800072	7/16" x 1-1/2" Bolt, Carr.	6
17	800096 800096	Housing, 4 Bolt	2
18	800097 800097	Housing, 4 Bolt	1
19	800159 800159	Steel, Blind Rivet, 0.187"	54
20	800167 800167	1/2" x 1-3/4" Bolt, Standard	2
21	800195 800195	3/8" x 1" Bolt, Standard	66
22	800197 800197	3/8" x 1-1/4" Bolt, Standard	12
23	800209 800209	5/16" x 3/4" Bolt, Standard	112
24	800219 800219	7/16" x 1-1/2" Bolt, Standard	1
25	800236 800236	3/8" Nut, Standard	10
26	800240 800240	7/16" Nut, Standard	12
27	800260 800260	3/8" x 1-1/2", Screw, Set, Squarehead, Gr. 8	4
28	800264 800264	5/16" x 3/4" Setscrew, Sq Hd	4
29	800759 800759	Nipple, Grease, 90 Degree, 1/4" NF	1
30	803623 803623	3/8" x 3/4" Bolt, Standard	20
31	803625 803625	7/16" x 1-1/4" Bolt, Standard	2
32	804061 804061	Bearing	1
33	804062 804062	Bearing	3
34	804194 804194	5/16" Nut, Standard	16
35	804196 804196	1/2" Nut, Standard	2
36	804366 804366	3/8" Washer, Lock, spring, Gr. 8	30
37	804367 804367	1/2" Washer, Lock, spring, Gr. 8	2
38	806360 806360	7/16" Nut, Standard, Lock, Nylon Insert	1
39	806556 806556	7/16" Washer, Lock	12
40	806636 806636	3/8" Nut, Pinch Lock	78

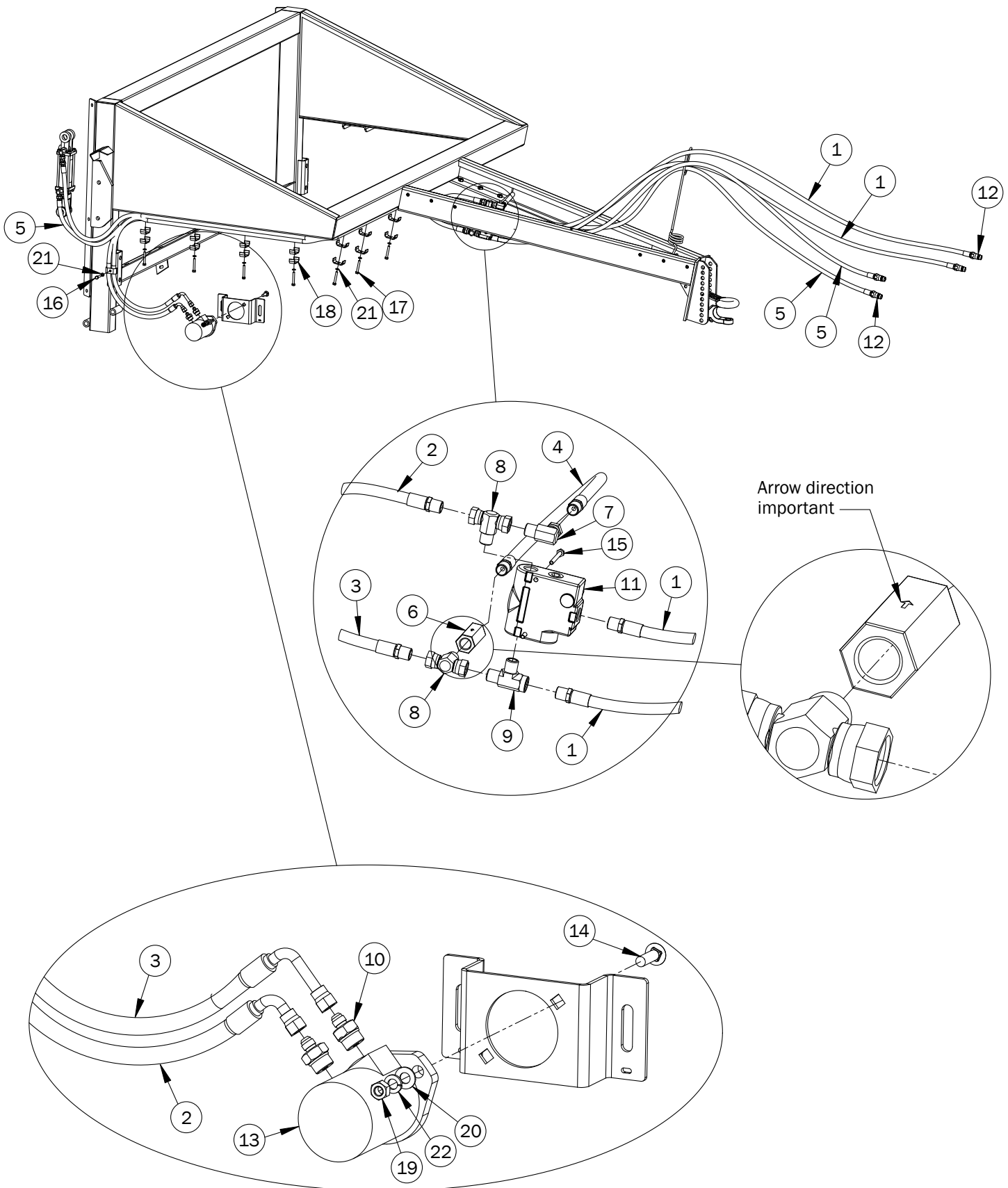
Pickup - Right Side con't



Pickup - Right Side con't

Item No.	Stock No.	Description	Qty.
41	807522	5/16" SAE Washer, Flat	112
42	807523	3/8" SAE Washer, Flat	78
43	807524	1/2" SAE Washer, Flat	3
44	807528	5/16" Washer, Lock	12
45	807558	Nipple, Grease, 1/4" NF	3
46	807799	7/16" SAE Washer, Flat	4
47	808355	Collar, Locking, 1.250"	1
48	808849	Bolt, Eye, NC, 1/2" x 12"	1
49	808991	7/16" x 1-3/4" Bolt, Carr.	6
50	802731	Wrapper, Pickup, Short, L/H	1
51	802734	Wrapper, Pickup, Short, R/H	1
52	802737	Wrapper, Pickup	25
53	802507	Coupler, Hydraulic Motor	1
54	803659	1/4" x 1" Key	4
55	803727	Spacer, Pickup Wrapper	27
56	808596	Clamp, Pickup Tooth	78
57	802769	Tine Divider, 5 Tooth	3
58	802772	Tine Divider, 6 Tooth	2
59	802776	End Plate, Bolting	1
60	802774	End Plate, Bolting	1
61	802797	Tube, Roller	2
62	802841	Cylinder, End, L/H	1
63	802843	Cylinder, End, R/H	1
64	800276	Number 10 Washer, Flat	54

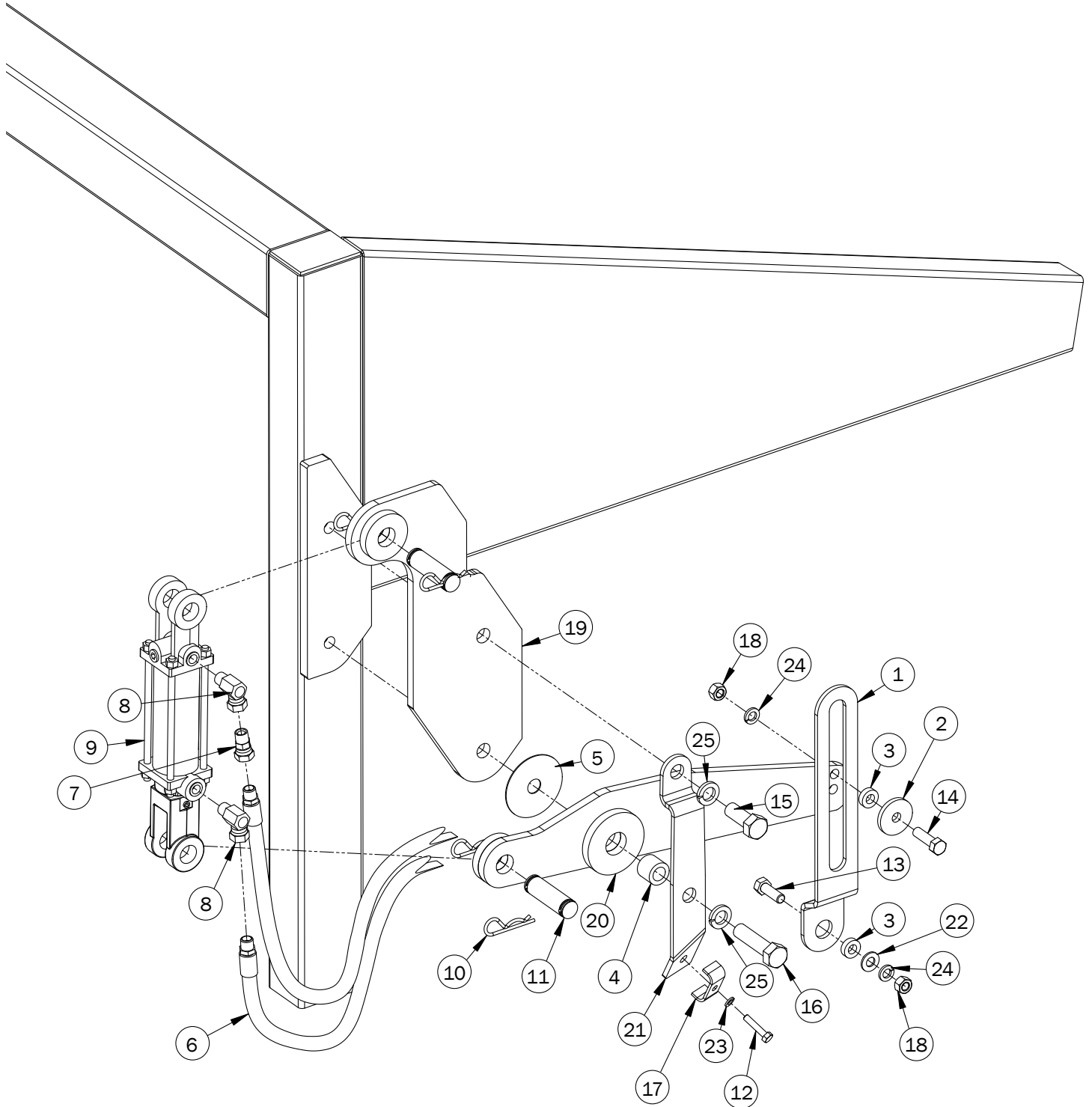
Hydraulics



Hydraulics

Item No.	Stock No.	Description	Qty.
1	802475	79228-1 Hydraulic Hose, 94"	2
2	802476	79229-1 Hydraulic Hose, 123"	1
3	802477	79230-1 Hydraulic Hose, 117"	1
4	802478	79231-1 Hydraulic Hose, 24"	1
5	802479	79232-1 Hydraulic Hose, 198" (See pages 16-17 , Item 6.)	-
6	802474	802474 Valve, Check	1
7	802482	802482 Elbow, Hydraulic	1
8	802484	802484 Tee, Hydraulic	2
9	802485	802485 Tee, Hydraulic	1
10	802486	802486 Adapter, Hydraulic	2
11	802836	802836 Valve Body	1
12	804099	804099 Quick Coupler	4
13	808787	808787 Motor, Hydraulic, 2005 DH 160	1
14	800072	800072 7/16" x 1-1/2" Bolt, Carr.	2
15	800183	800183 1/4" x 2-1/2" Bolt, Standard	2
16	800205	800205 5/16" x 1-1/2" Bolt, Standard	1
17	800208	800208 5/16" x 2-1/4" Bolt, Standard	7
18	803829	MC215F Hydraulic Hose Clamp	15
19	800240	800240 7/16" Nut, Standard	2
20	807799	807799 7/16" SAE Washer, Flat	2
21	807528	807528 5/16" Washer, Lock	8
22	806556	806556 7/16" Washer, Lock	2

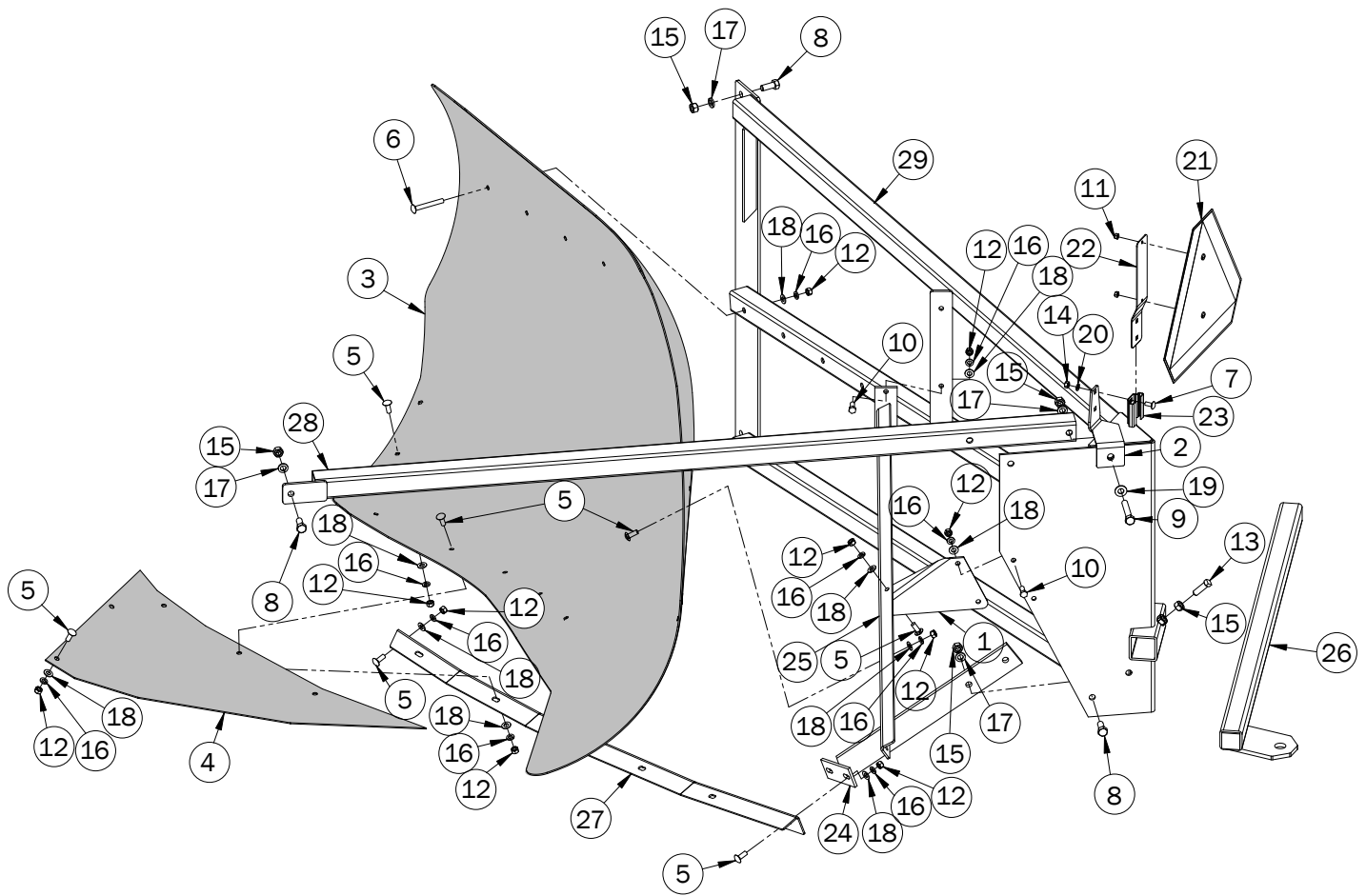
Lift - Hydraulic



Lift - Hydraulic

Item No.	Stock No.		Description	Qty.
1	802821	79205	Plate, Glider	1
2	802822	79209	Washer, Lift Arm, 2"	1
3	802823	79210	Bushing, Lift Bracket	2
4	802824	79211	Bushing, Lift Arm	1
5	802831	79223	Washer, Shim	1
6	802479	79232-1	Hydraulic Hose, 198"	2
7	808883	79234	Restrictor, Hydraulic, 3/8"	1
8	802480	802480	Elbow, Hydraulic	2
9	802516	802516	Cylinder, Hydraulic, 2" Bore x 4" Stroke	1
10	804103	804103	Pin, Hitch, R, 5/32" x 2-15-16"	4
11	809100	809100	Pin, Clevis, 1" x 2.75"	2
12	800205	800205	5/16" x 1-1/2" Bolt, Standard	1
13	800165	800165	1/2" x 1-1/2" Bolt, Standard	1
14	800167	800167	1/2" x 1-3/4" Bolt, Standard	1
15	800190	800190	3/4" x 2" Bolt, Standard	1
16	800192	800192	3/4" x 3" Bolt, Standard	1
17	803829	MC215F	Hydraulic Hose Clamp	1
18	804196	804196	1/2" Nut, Standard	2
19	802827	W79220	Arm, Cylinder Mount, Vertical	1
20	802829	W79221	Lift Arm, Horizontal	1
21	802833	W79224	Bracket, Hydraulic Line	1
22	807524	807524	1/2" SAE Washer, Flat	1
23	807528	807528	5/16" Washer, Lock	1
24	804367	804367	1/2" Washer, Lock	2
25	804369	804369	3/4" Washer, Lock	2

Moldboard



Moldboard

Item No.	Stock No.	Description	Qty.
1	802722 79045	Bracket	1
2	808871 79194	Bracket, SMV Emblem	1
3	807609 79530	Moldboard	1
4	814128 79531	Insert, Triangular, Moldboard	1
5	800057 800057	3/8" x 1" Bolt, Carr.	19
6	800060 800060	3/8" x 3" Bolt, Carr.	4
7	800062 800062	5/16" x 3/4" Bolt, Carr.	2
8	800166 800166	1/2" x 1-1/4" Bolt, Standard	6
9	800172 800172	1/2" x 3" Bolt, Standard	2
10	800195 800195	3/8" x 1" Bolt, Standard	3
11	800233 800233	1/4" Nut, Standard	2
12	800236 800236	3/8" Nut, Standard	26
13	800258 800258	1/2" x 1-1/2" Setscrew, Sq Hd	1
14	804194 804194	5/16" Nut, Standard	2
15	804196 804196	1/2" Nut, Standard	9
16	804366 804366	3/8" Washer, Lock	26
17	804367 804367	1/2" Washer, Lock	8
18	807523 807523	3/8" SAE Washer, Flat	26
19	807524 807524	1/2" SAE Washer, Flat	1
20	807528 807528	5/16" Washer, Lock	2
21	807712 807712	SMV Emblem Triangle	1
22	807713 807713	SMV Emblem Bracket, 2" x 11"	1
23	807919 807919	SMV Emblem Bracket, 2" x 2.5"	1
24	802717 W79037	Bracket, Support, Moldboard	1
25	802719 W79043	Angle, Top, Moldboard	1
26	802723 W79056	Hitch, Rear, Moldboard	1
27	802726 W79060	Support, Belly	1
28	802814 W79179	Tube, Top Cross, Moldboard	1
29	808591 W79191	Main Frame, Moldboard	1

Decals

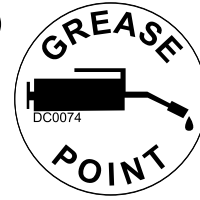
①

Matador 7900

②



③



④

WINDROW INVERTER

⑤

AgLand

⑥



⑦



⑧



Decals

Item No.	Stock No.	Description	Qty.	
1	808848	DC0086	Matador 7900 Side Panel Decal	2
2	808625	DC0060	Side Panel Grains Decal	2
3	801621	DC0074	Grease Point Decal	8
4	808843	DC0067	Windrow Inverter Decal	1
5	802517	DC0102	AgLand Decal	2
6	801620	DC0063	Moving Parts Hazard Decal	1
7	801629	DC0068	High Pressure Fluid Hazard Decal	2
8	801619	DC0064	Keep Shields and Guards in Place Decal	1

Index

Part Number	Page Number	800072.....	7, 11, 15
79020A.....	3	800073.....	7
79045.....	19	800096.....	7, 11
79075.....	7	800097.....	7, 11
79076.....	7	800128.....	5
79081A.....	7	800131.....	7
79082A.....	7	800159.....	7, 11
79085.....	7	800162.....	3
79089.....	7	800164.....	7
79090.....	7	800165.....	7, 17
79095.....	11	800166.....	19
79096.....	11	800167.....	7, 11, 17
79097.....	11	800172.....	19
79099.....	11	800180.....	7
79123.....	11	800183.....	15
79138.....	11	800190.....	17
79139.....	11	800192.....	17
79151.....	11	800194.....	7
79154.....	11	800195.....	3, 7, 11, 19
79169.....	7	800197.....	11
79175.....	5	800205.....	15, 17
79177.....	7	800208.....	15
79190.....	11	800209.....	7, 11
79194.....	19	800216.....	3
79205.....	17	800217.....	3
79209.....	17	800219.....	11
79210.....	7, 17	800231.....	7
79211.....	17	800233.....	7, 19
79215.....	7	800236.....	3, 11, 19
79217.....	7	800240.....	9, 11, 15
79223.....	17	800258.....	3, 19
79228-1.....	15	800260.....	11
79229-1.....	15	800261.....	7
79230-1.....	15	800264.....	11
79231-1.....	15	800276.....	9, 13
79232-1.....	15, 17	800278.....	3, 9
79234.....	17	800759.....	7, 11
79237.....	11	801619.....	21
79488.....	7	801620.....	21
79530.....	19	801621.....	21
79531.....	19	801629.....	21
800045.....	7, 11	801733.....	11
800046.....	7, 11	801818.....	7
800057.....	3, 11	802474.....	15
800057.....	19	802475.....	15
800060.....	19	802476.....	15
800061.....	3	802477.....	15
800062.....	7, 19	802478.....	15
800063.....	11	802479.....	15

Index

802479.....	17	802831.....	17
802480.....	17	802833.....	17
802482.....	15	802836.....	15
802484.....	15	802838.....	7
802485.....	15	802839.....	3
802486.....	15	802840.....	3
802493.....	9	802841.....	13
802495.....	9	802843.....	13
802498.....	7	802845.....	3
802499.....	7	803616.....	3
802507.....	13	803622.....	3
802516.....	17	803623.....	11
802517.....	21	803625.....	3, 11
802607.....	7	803659.....	13
802691.....	3	803660.....	7
802707.....	3	803727.....	13
802717.....	19	803829.....	15, 17
802719.....	19	804061.....	7
802722.....	19	804061.....	7, 11
802723.....	19	804062.....	7, 11
802726.....	19	804090.....	3
802731.....	13	804093.....	3
802734.....	13	804099.....	15
802737.....	13	804103.....	17
802739.....	7	804110.....	3
802742.....	7	804194.....	9, 11, 19
802751.....	7	804196.....	3, 9, 11, 17, 19
802754.....	3	804197.....	3
802756.....	3	804198.....	3, 9
802759.....	11	804199.....	3, 9
802760.....	11	804301.....	7
802769.....	13	804361.....	9
802772.....	13	804366.....	3, 9, 11, 19
802774.....	13	804367.....	3, 9, 11, 17, 19
802776.....	13	804368.....	3, 9
802782.....	11	804369.....	3, 9, 17
802792.....	11	806360.....	11
802794.....	11	806556.....	3, 9, 11, 15
802797.....	13	806636.....	11
802812.....	11	807022.....	11
802813.....	7	807023.....	11
802814.....	19	807513.....	3
802821.....	17	807522.....	9, 13
802822.....	17	807523.....	3
802823.....	7, 17	807523.....	3, 13, 19
802824.....	17	807524.....	9, 13, 17, 19
802826.....	7	807525.....	3
802827.....	17	807528.....	9, 13, 15, 17, 19
802829.....	17	807558.....	7, 13

Index

807609	19	DC0060	21
807621	5	DC0063	21
807622	5	DC0064	21
807623	5	DC0067	21
807624	3	DC0068	21
807626	3	DC0074	21
807627	5	DC0086	21
807628	5	DC0102	21
807629	5	KE1604	13
807712	19	KE1605	7
807713	19	MC114A	13
807799	9, 13, 15	MC1310	13
807919	19	MC215F	15
808355	7, 13	MC215F	17
808591	19	W79001	3
808596	13	W79006	3
808599	7	W79011	3
808602	7	W79036	3
808604	7	W79037	19
808608	7	W79043	19
808625	21	W79056	19
808647	7	W79060	19
808697	11	W79092	3
808729	3	W79094	3
808742	9	W79098	9
808781	9	W79111	13
808787	15	W79112	13
808817	3	W79113	13
808843	21	W79113A	13
808848	21	W79114	9
808849	13	W79126	9
808871	19	W79141	13
808883	17	W79179	19
808884	7	W79191	19
808885	5	W79220	17
808991	13	W79221	17
809043	5	W79224	17
809044	5	W79402	13
809100	17	W79403	13
809325	11	W79472	3
810590	7	W79480	9
810596	9	W79485	9
810600	9		
814128	19		
A79078	13		
A79079	13		
A79080	13		
A79175	3		
A79559	13		

LIMITED WARRANTY

AGLAND INDUSTRIES INC. WARRANTY

AgLand Industries Inc. (hereinafter called "AgLand"), as the Manufacturer, warrants to the original owner of the AgLand Matador (hereinafter called the "Matador") the following:

A one (1) year* warranty that the purchased Matador will be free of defects in material or workmanship and workmanship on all parts manufactured by AgLand, including AgLand manufactured owner-serviceable parts (provided such parts are serviced in accordance with the Operator's Manual), from the date of delivery to the original retail purchaser under normal farm use and service, excluding normal wear items such as (but not limited to) belts, pickup tines, tires, and exterior finish.

*Three (3) months after delivery when purchased by a commercial operator.

The sole obligation of the Manufacturer is limited to repairing or replacing, as the Manufacturer may elect, any part or parts that prove, in the Manufacturer's judgement, to be defective in material or workmanship.

Warranty service may only be performed by an authorized AgLand Dealer or an authorized AgLand Service Centre or as determined by AgLand.

Defective parts must be returned to the Manufacturer or the AgLand Dealer who sold the Matador at the expense of the retail purchaser and are to be inspected by the Manufacturer prior to any warranty work being approved. The AgLand Dealer will forward, at the retail purchaser's expense, any defective parts to AgLand with a written request of warranty work required.

Note: All parts NOT manufactured by AgLand carry their own manufacturer's warranty. The customer is responsible for all costs necessary to replace those parts unless covered by the applicable manufacturer.

The above warranty is based on the following factors:

AgLand reserves the right to repair or replace, at its discretion, any defective part in whole or in part.

All instructions in the AgLand Matador Operator's Manual must be followed.

The Warranty Registration must be forwarded to AgLand within thirty (30) days of the date of delivery of the Matador to the Retail Purchaser to validate the warranty.

All warranties are subject to legislation of the state or province in which the Matador is sold.

AgLand will not be responsible or liable for any of the following:

a) The return of any part or parts, or the Matador as a whole, to the selling AgLand Dealer or to the Manufacturer, neither AgLand or its authorized AgLand Dealer are responsible for the cost of shipping, transport, or freight, labour, or any cost other than the replacement part itself, if that is what AgLand determines; b) The care, maintenance and safe operation of the Matador is the responsibility of the owner of the Matador; c) Any accidents, injury, damage or loss incurred due to use by any operator of the Matador; d) Any accidents, injury, damage or loss incurred due to faulty use, repair, operation or maintenance of the Matador; e) Any cost incurred for replacing or repairing of parts not manufactured by AgLand which carry their own manufacturer's warranty; f) Any out-of-pocket expenses or loss of revenue as a result of any defect in material or workmanship of any part or parts, or the Matador as a whole; g) Damages, malfunctions or failures resulting from the use of any attachment not authorized by AgLand; h) Any accidents, injury, damages, or loss incurred due to any safety shields, lights, reflectors, decals, emblems, etc., being removed or covered; i) Any accidents, injury,

damage or loss due to the improper, or lack of, use of the safety tow chain or transport lock pin during transport; j) Any accidents, injury, damage or loss due to the lack of safety precautions when performing routine maintenance; k) Damages, malfunctions or failures caused by force majeure, abuse, accident, fire, or acts of God; l) All customers outside of North America are responsible for compliance with local laws, codes and regulations regarding operating requirements and certification, as well as all costs associated with such requirements and certification.

Any available warranty will be void if: a) Annual maintenance procedures are not followed as per the Operator's Manual; b) Any altering or modification is performed on the Matador which is not approved by the Manufacturer; c) Any additional equipment is installed on the Matador which has not been approved by the Manufacturer; d) Any instruction given in the Operator's Manual which has not been followed including during set up or assembly of attachments, or regular maintenance; or e) Any claim made under this warranty by, or for, a person other than the original owner.

There are no other warranties, expressed or implied, by AgLand or its Authorized AgLand Matador Dealers regarding the AgLand Matador except the warranty expressed herein. ANY IMPLIED WARRANTIES, INCLUDING MERCHANTABILITY, OR FITNESS FOR A PARTICULAR PURPOSE, SHALL NOT EXTEND BEYOND THE APPLICABLE WARRANTY PERIODS SPECIFIED ABOVE. AGLAND'S SOLE LIABILITY, WITH RESPECT TO ANY DEFECT, SHALL BE AS SET FORTH IN THIS LIMITED WARRANTY, AND ANY CLAIMS FOR INCIDENTAL OR CONSEQUENTIAL DAMAGES ARE EXCLUDED.

No person is authorized to bind AgLand to any other warranty whatsoever.

AgLand reserves the right at any time to make changes or improvements to the design, materials, or specifications of the Matador or parts without thereby becoming liable to make similar changes to the Matador or any of its parts previously manufactured.

Manufactured by:

AgLand Industries Inc.

