



# *Macerator 6620*

*Parts Catalogue*  
*April 2009*



**AgLand**  
INDUSTRIES INC.

## Replacement Parts

To obtain prompt, efficient service, give the dealer the following information.

1. Correct stock number.
2. Model number of the machine.
3. Serial number of the machine.

The serial number is important in identifying your machine. It contains information for ordering replacement parts and options which may vary depending on the serial number identification.

Measurements are given in U.S. units followed by the equivalent in metric units. Hardware sizes are given in inches for the U.S. hardware and millimeters for the metric hardware.

All nuts and bolts are specified in Grade 5 unless otherwise indicated.

<b>AgLand</b>	
<b>Box 479 Arborg MB, R0C 0A0</b>	
<b>Model #:</b>	<b>Macerator 6620</b>
<b>Serial #:</b>	
<b>Made in Canada</b>	

**Serial # on plate inside right side cover.**



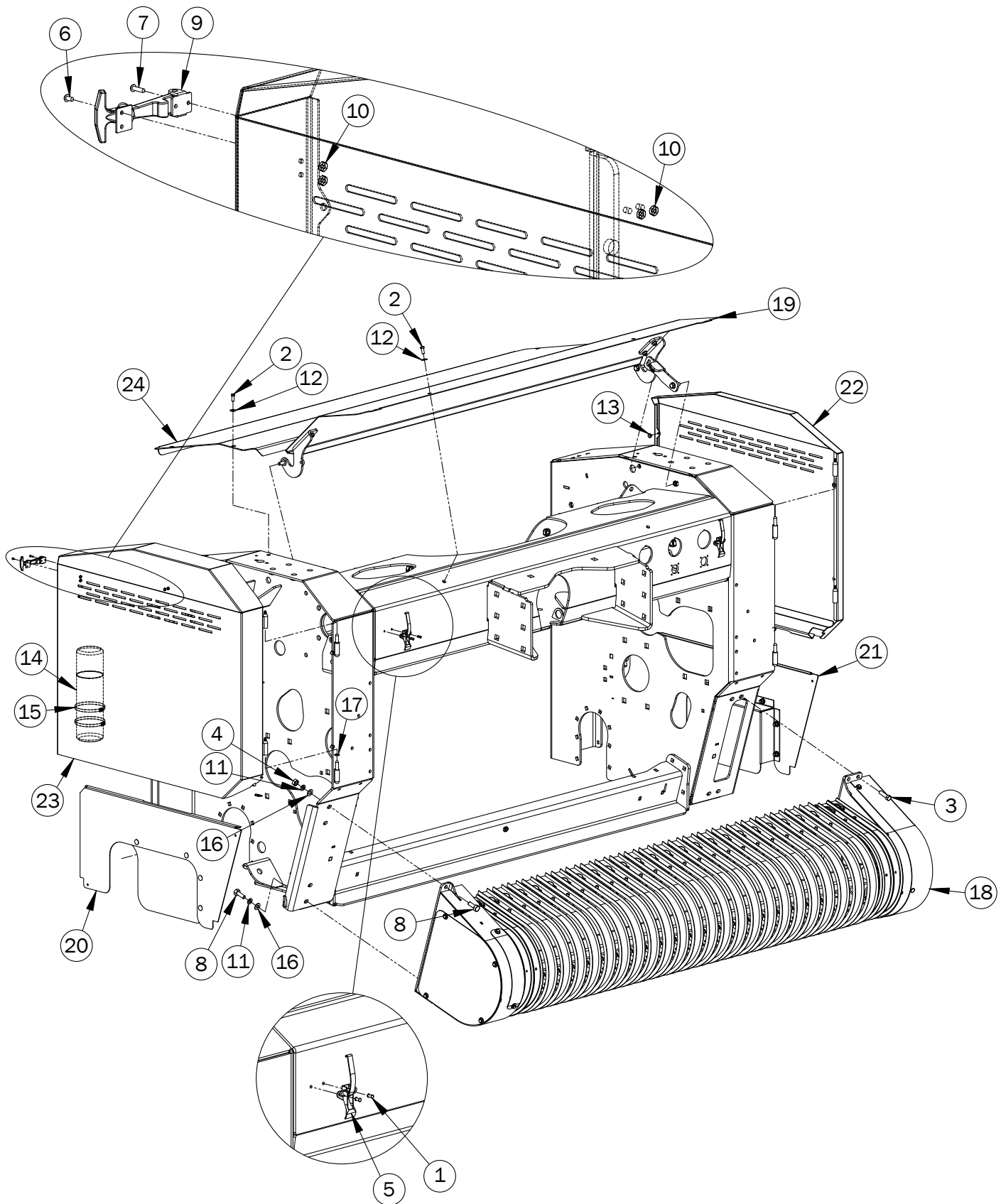




# Table of Contents

<b>Macerator Parts Order Form</b> .....	<b>Front of Catalogue</b>
<b>Pickup, Guards &amp; Shields Assembly</b>	
View A.....	2-3
View B.....	4-5
<b>Side Covers</b> .....	<b>6-7</b>
<b>Top Cover - Hingeable</b> .....	<b>8-9</b>
<b>Pickup</b>	
Right Side.....	10-11
Left Side.....	12-13
Left Side Drive.....	14-15
Raised Pickup Option.....	16-17
<b>Pickup Wrappers, Short</b> .....	<b>18-19</b>
<b>Main Frame &amp; Hitch Assembly</b> .....	<b>20-21</b>
<b>Drive Line Assembly</b> .....	<b>22-23</b>
<b>Steel Roll Assembly</b> .....	<b>24-25</b>
<b>540 RPM Gearbox - 804082</b> .....	<b>26-27</b>
<b>1000 RPM Gearbox - 804081</b> .....	<b>28-29</b>
<b>540 RPM Drive Shaft - 807562</b> .....	<b>30-31</b>
<b>1000 RPM Drive Shaft - 807563</b> .....	<b>32-33</b>
<b>Over-Running Clutch - 807564</b> .....	<b>34-35</b>
<b>Gearbox U-Joints - 807565</b> .....	<b>36-37</b>
<b>Right Side</b>	
View A.....	38-39
View B.....	40-41
Drives.....	42-43
<b>Left Side</b>	
View A.....	44-45
View B.....	46-47
Drives.....	48-49
<b>Lift Bracket Assembly - Right &amp; Left Sides</b> .....	<b>50-51</b>
<b>Height Adjuster</b> .....	<b>52-53</b>
<b>Gap Adjusters</b> .....	<b>54-55</b>
<b>Axle Assembly</b> .....	<b>56-57</b>
<b>Walking Beam Assembly</b> .....	<b>58-59</b>
<b>Hydraulics</b> .....	<b>60-61</b>
<b>Cylinder Assembly</b> .....	<b>62-63</b>
<b>Air System</b> .....	<b>64-65</b>
<b>Lights &amp; Emblem Assembly</b> .....	<b>66-67</b>
<b>Attachments</b>	
Attachment Brackets.....	68-69
Windrower Attachment Kit K101.....	70-71
Spreader, Adjustable Attachment Kit K102.....	72-73
Moldboard Attachment Kit K105.....	74-75
Tedder Attachment Kit K104.....	76-77
Tedder Attachment Kit K104 Hydraulics.....	78-79
Tedder Attachment Kit K104 Turnbuckle Assembly.....	80-81
Gather Wheels Attachment.....	82-83
<b>Decals</b> .....	<b>84-85</b>
<b>Index</b>	
Stock Numbers.....	82-89
Drawing Numbers.....	90-97

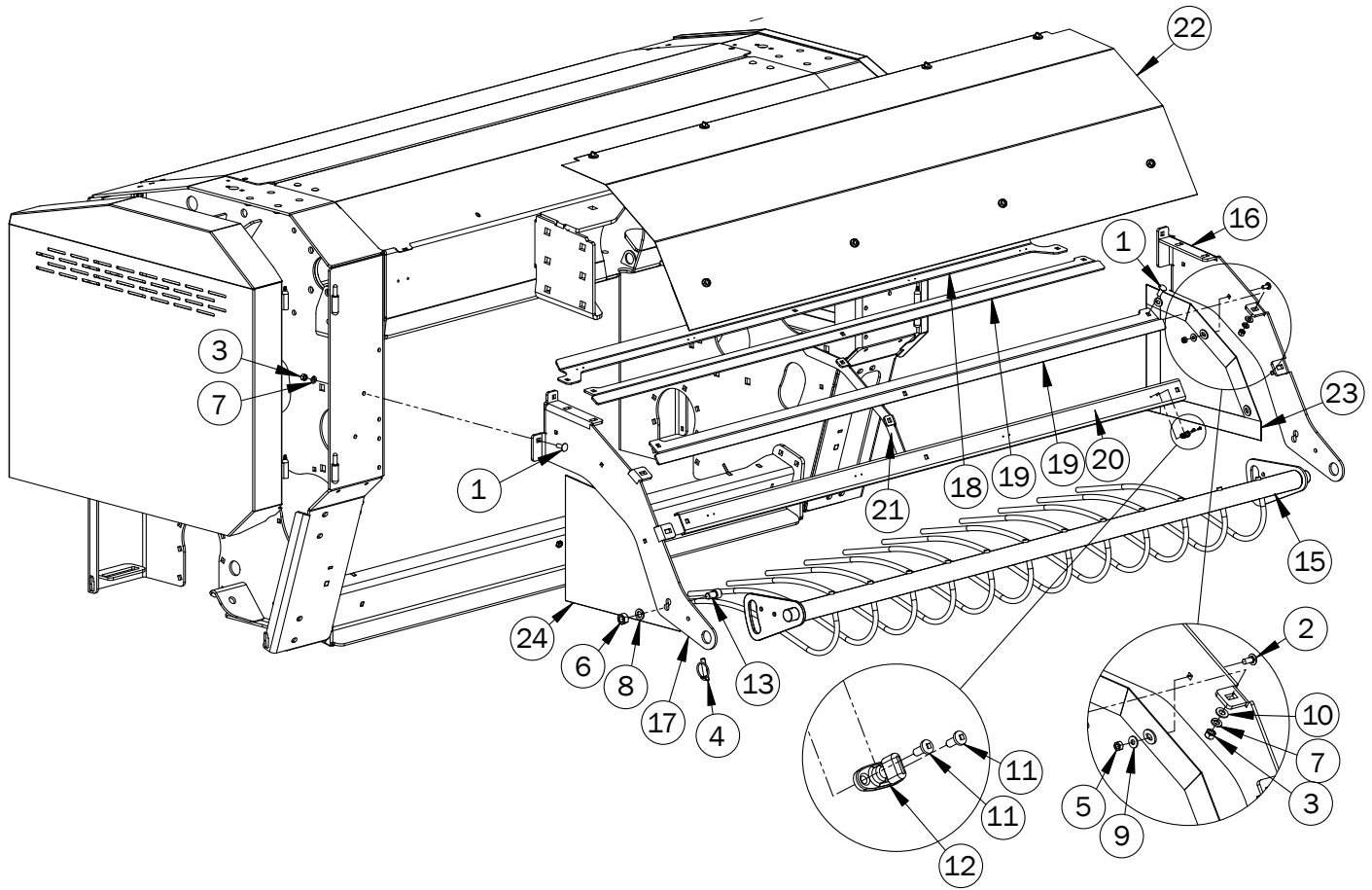
# Pickup, Guards & Shields Assembly - View A



## Pickup, Guards & Shields Assembly - View A

Item No.	Stock No.	Drawing No.	Description	Qty.
1	810650	810650	Rivet, Blind, Steel Stainless, 0.187 in.	4
2	800209	800209	5/16" x 3/4" Bolt, Standard	6
3	800219	800219	7/16" x 1-1/2" Bolt, Standard	2
4	800240	800240	7/16" Nut, Standard	3
5	800396	800396	Steel Latch	2
6	803611	803611	6-32 x 1/4" Screw	8
7	803612	803612	6-32 x 1/2" Screw	8
8	803625	803625	7/16" x 1-1/4" Bolt, Standard	6
9	804137	804137	Draw Latch	4
10	804191	804191	6-32 Nut, Machine	16
11	806556	806556	7/16" Washer, Lock	8
12	807522	807522	5/16" SAE Washer, Flat	6
13	807546	807546	Silencer, Steel Door	8
14	807559	807559	Container - Manual	1
15	807581	807581	Clamp, Hose, #72	2
16	807799	807799	7/16" SAE Washer, Flat	8
17	808476	808476	Hinge Washer	4
18	-	A66003	Pickup, Macerator (See page 12-17)	1
19	-	A66004	Top Cover, Hingeable (See page 10-11)	1
20	-	A66014	Cover, Side, R/H (See page 8-9)	1
21	-	A66023	Cover, Side, L/H (See page 8-9)	1
22	803861r01	MC21W6AL	Door, L/H	1
23	803863r01	MC21W6AR	Door, R/H	1
24	803970r02	MC241	Top Cover, Rear	1

# Pickup, Guards & Shields Assembly - View B

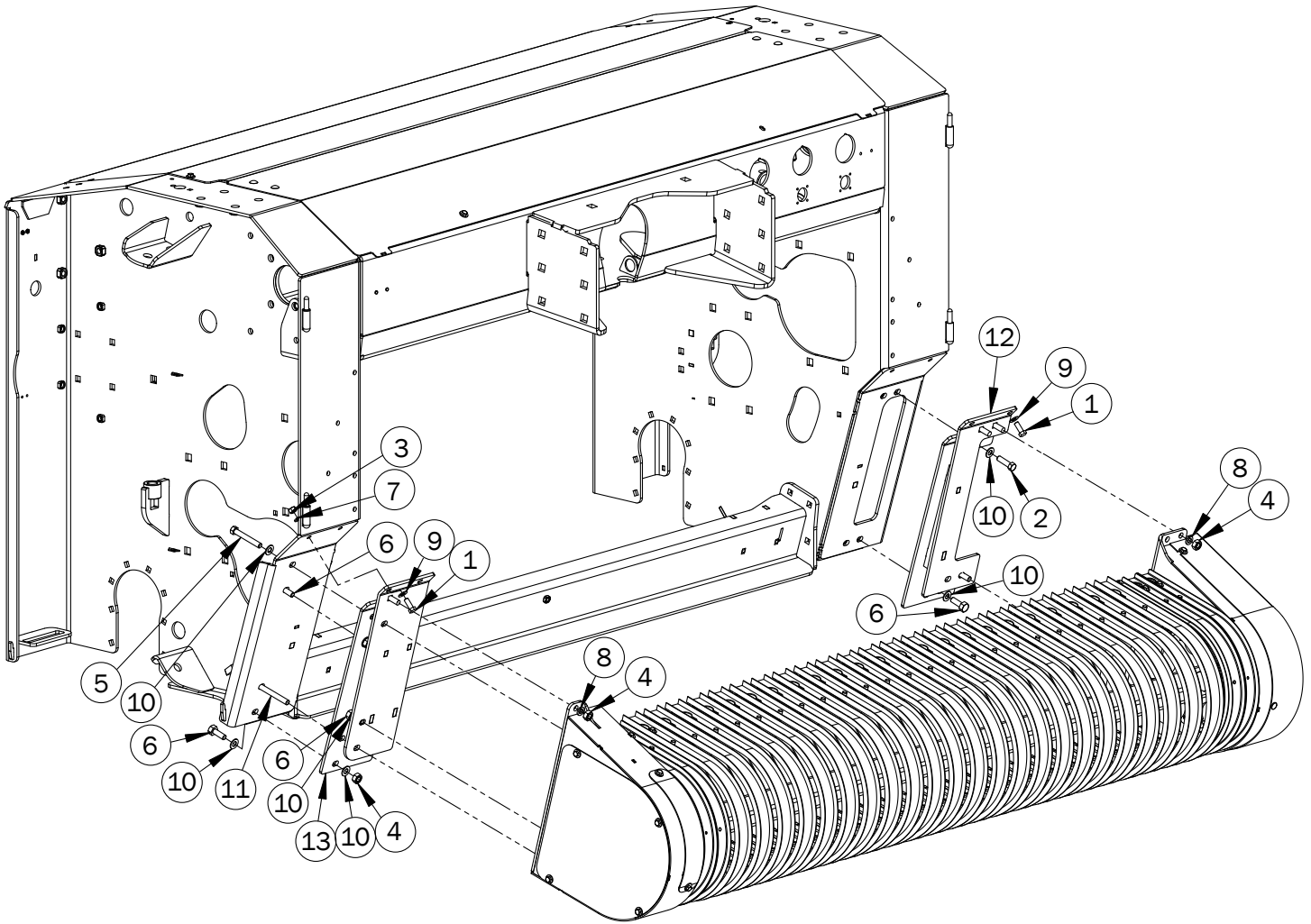


## Pickup, Guards & Shields Assembly - View B

Item No.	Stock No.	Drawing No.	Description	Qty.
1	800057	800057	3/8" x 1" Bolt, Carr.	16
2	800062	800062	5/16" x 3/4" Bolt, Carr.	6
3	800236	800236	3/8" Nut, Standard	16
4	801818	801818	Pin, Lynch, 7/16"	2
5	804194	804194	5/16" Nut, Standard	6
6	804198	804198	5/8" Nut, Standard	2
7	804366	804366	3/8" Washer, Lock, Gr. 8	16
8	804368	804368	5/8" Waser, Lock	2
9	807522	807522	5/16" SAE Washer, Flat	6
10	807523	807523	3/8" SAE Washer, Flat	12
11	808716	808716	R1 No. 6 x 3/8" SCrew, Sheetmetal, Round Head	16
12	808816	808816	Stud, Twist Lock, Turn Fastener	8
13	810916	810916	5/8" x 1" Bolt, Round Socket Head, Gr. 8	2
15	814011	MC14W5	Comb, Heavy Duty	1
16	808682	MC3116L	Comb Arm, L/H	1
17	808678	MC3116R	Comb Arm, R/H	1
18	808685	MC3117	Bar, Guard Front	1
19	808688	MC3118	Bar, Guard Front	2
20	808694	MC3119	Bar, Guard Front	1
21	808691	MC3121	Support, Guard Front	1
22	808718	MC854	Screen, Main, Macerator	1
23	808720	MC855L	Screen, Side, L/H, Macerator	1
24	808719	MC855R	Screen, Side, R/H, Macerator	1



# Raised Pickup Option

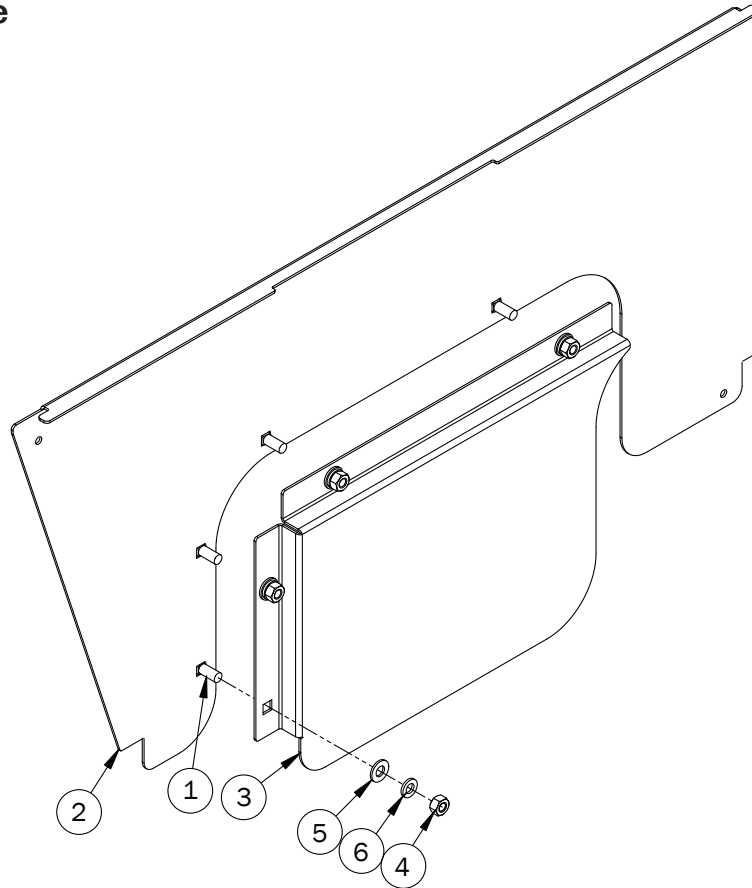


**Raised Pickup Option**

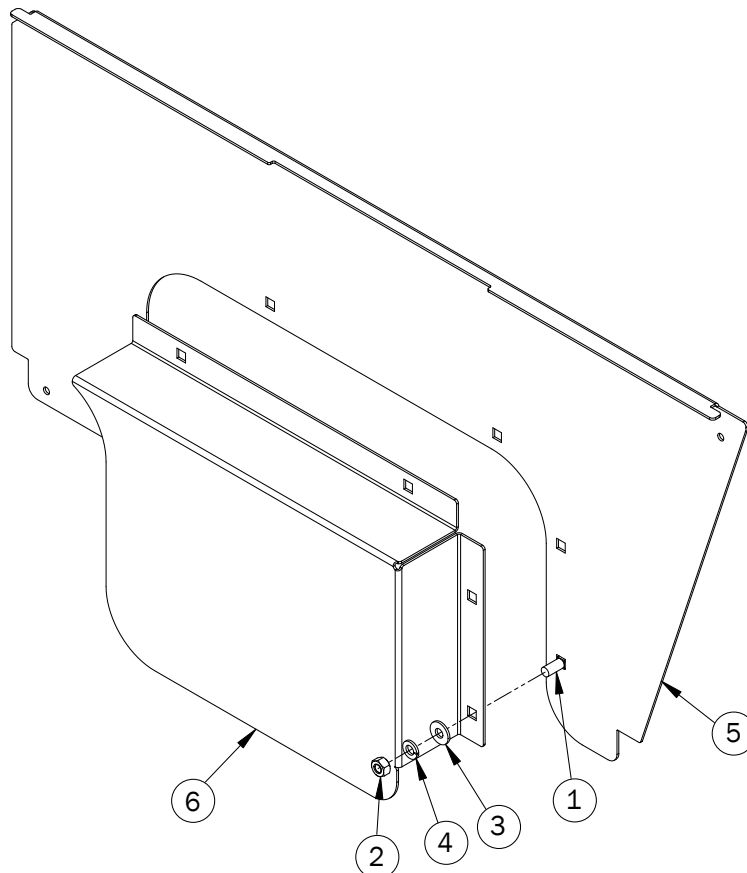
Item No.	Stock No.	Drawing No.	Description	Qty.
1	800195	800195	3/8" x 1" Bolt, Standard	4
2	800219	800219	7/16" x 1-1/2" Bolt, Standard	2
3	800236	800236	3/8" Nut, Standard	4
4	800240	800240	7/16" Nut, Standard	9
5	803610	803610	7/16" x 3" Bolt, Standard	1
6	803625	803625	7/16" x 1-1/4" Bolt, Standard	7
7	804366	804366	3/8" Washer, Lock, Gr. 8	4
8	806556	806556	7/16" Washer, Lock	3
9	807523	807523	3/8" SAE Washer, Flat	4
10	807799	807799	7/16" SAE Washer, Flat	17
11	813846	813846	7/16" x 3-1/2" Bolt, Standard	1
12	813838	MC29W1	Wedge 1, Pickup, L/H	1
13	813840	MC29W2	Wedge 2, Pickup, R/H	1

# Side Covers

## Side Cover - Right Side



## Side Cover - Left Side



## Side Covers

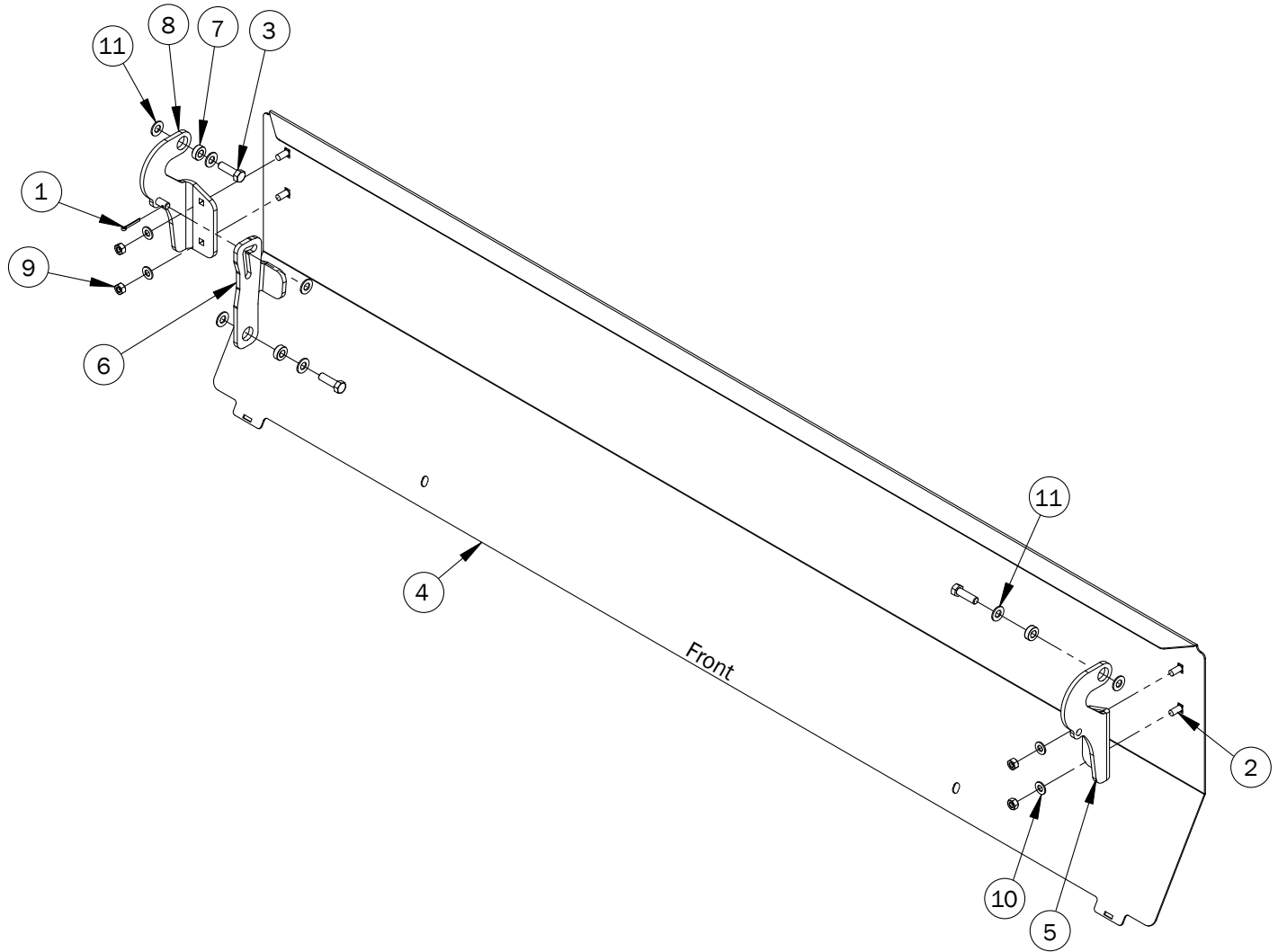
### Side Cover - Right Side

Item No.	Stock No.	Drawing No.	Description	Qty.
1	800062	BOC20035	5/16" x 3/4" Bolt, Carr.	4
2	810504	MC242R	Cover, Side, R/H	1
3	810512	MC243R	Plate, Cover, R/H	1
4	804194	NUTS20	5/16" Nut, Standard	4
5	807522	WAF20M	5/16" SAE Washer, Flat	4
6	807528	WAL20	5/16" Washer, Lock	4

### Side Cover - Left Side

Item No.	Stock No.	Drawing No.	Description	Qty.
1	800062	800062	5/16" x 3/4" Bolt, Carr.	4
2	804194	804194	5/16" Nut, Standard	4
3	807522	807522	Washer, SAE, 5/16"	4
4	807528	807528	5/16" Washer, Lock	4
5	810501	MC242L	Cover Side, L/H	1
6	812443	MC273	Plate, Cover, L/H	1

# Top Cover - Hingeable

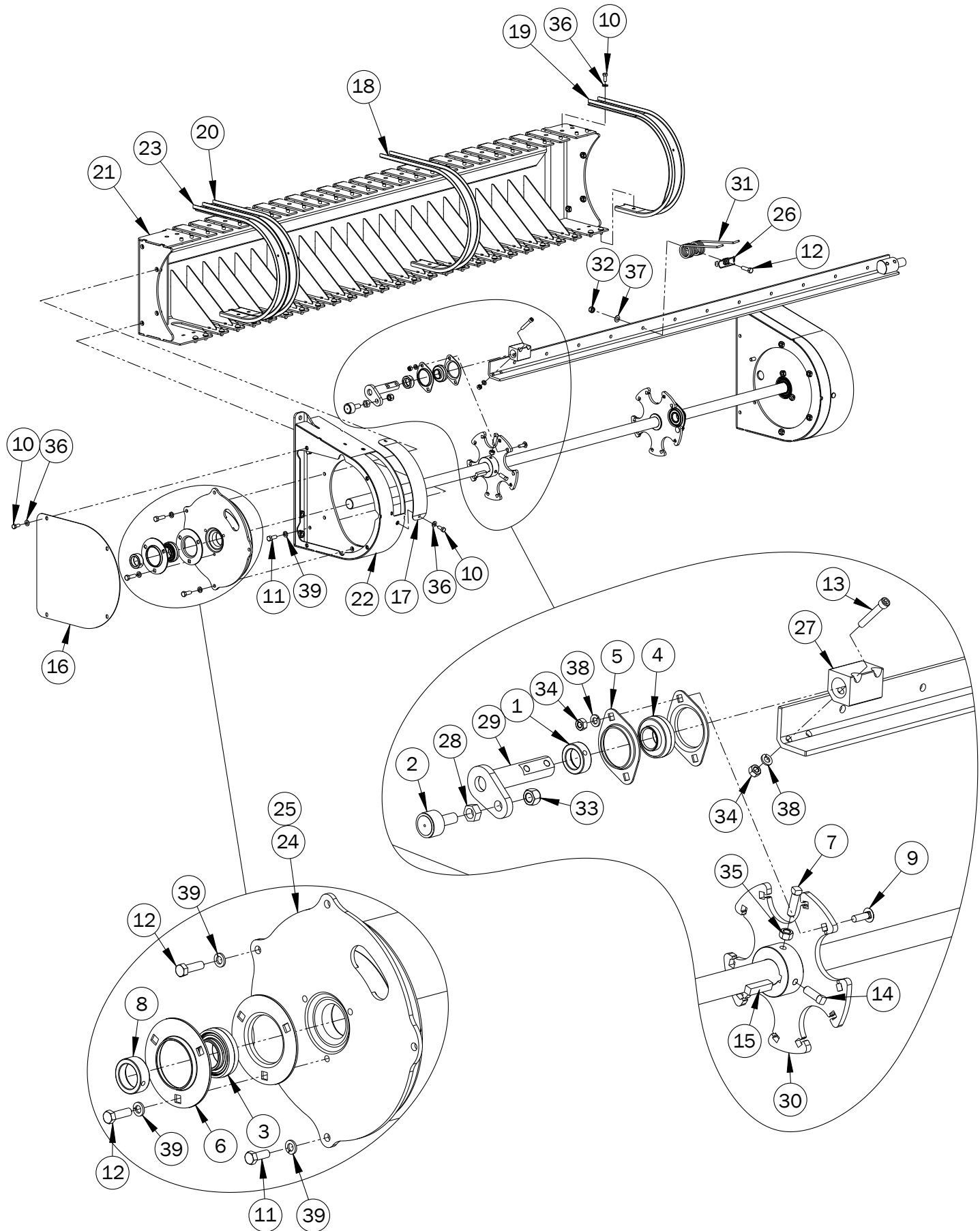




## Top Cover - Hingeable

Item No.	Stock No.	Drawing No.	Description	Qty.
1	807685	807685	Pin, Cotter, 0.125" x 1"	1
2	800062	BOC20035	5/16" x 3/4" Bolt, Carr.	4
3	800197	BOS24055	3/8" x 1-1/4" Bolt, Standard	3
4	807043	MC241A	Top Hingeable Cover	1
5	807034	MC241BR	Top Cover Hinge Brk, R/H	1
6	807035	MC241C	Top Cover Hinge Brace	1
7	803994	MC248C	7mm Bushing 3/8" ID	3
8	807033	MC24W1BL	Hinge - Top Cover	1
9	804194	NUTS20	5/16" Nut, Standard	4
10	807522	WAF20M	5/16" SAE Washer, Flat	4
11	807523	WAF24M	3/8" SAE Washer, Flat	7

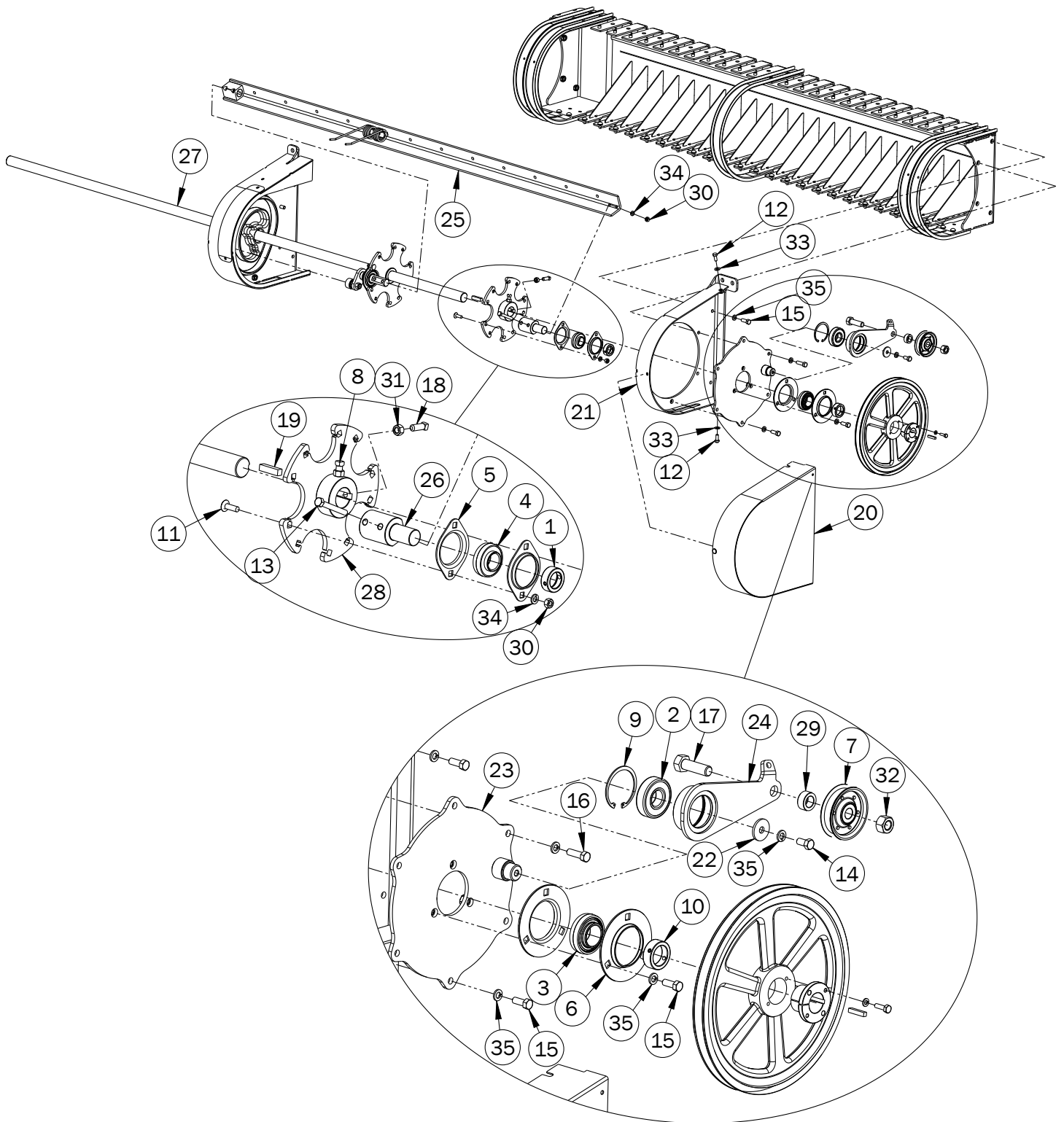
# Pickup - Right Side



## Pickup - Right Side

Item No.	Stock No.	Drawing No.	Description	Qty.
1	800045	800045	Collar, Locking	5
2	804059	804059	Stud Bearing	5
3	804061	804061	Bearing/Locking Collar	1
4	804062	804062	Bearing/Locking Collar	5
5	804064	804064	Bearing Flange, 2 Bolt	10
6	804066	804066	Bearing Flange, 3 Bolt	2
7	807156	807156	3/8" x 1-1/4" Setscrew, Sq Hd	1
8	808355	808355	Collar, Locking	1
9	807516	BOC20045	5/16" x 1" Bolt, Carr.	10
10	800209	BOS20035	5/16" x 3/4" Bolt, Standard	33
11	800195	BOS24045	3/8" x 1" Bolt, Standard	5
12	800197	BOS24055	3/8" x 1-1/4" Bolt, Standard	65
13	800228	BOSH20088	5/16" x 2" Cap Screw, Socket Head, Gr. 8	10
14	800259	BOSQ24045	3/8" x 1" Setscrew, Sq Hd	1
15	807869	KE2406	3/8" x 1-1/2" Key	1
16	803716r02	MC112	Cover, Pickup	1
17	803722	MC113	Access Cover	1
18	803730r01	MC114	Wrapper, Pickup	23
19	803732r01	MC118L	Pickup Wrapper, Short, L/H (See pages 18-19)	1
20	803734r01	MC118R	Pickup Wrapper, Short, R/H (See pages 18-19)	1
21	803742r02	MC11W1	Pickup Cross Frame	1
22	803746r03	MC11W3	Pickup Frame R/H	1
23	803748r01	MC11W4	Wrapper, Pickup, End, Short	2
24	807406	MC122	Cam Track	1
25	810787	MC123	Cam Track - Heavy Duty (Optional)	-
26	808596	MC1310	Clamp, Pickup Tooth	60
27	803765	MC1312	Tooth Bar, Block	5
28	803767	MC133M	Cam Bearing Spacer	5
29	803773	MC13W3	Cam Arm	5
30	810383	MC13W4	Bearing Bracket Star Wheel	1
31	804113	MC750	Tooth, Pickup	60
32	806636	NUTLP24	3/8" Nut, Pinch Lock	60
33	804190	NUTLP32FT	1/2" Nut, Pinch Lock, Fine Thread	5
34	804194	NUTS20	5/16" Nut, Standard	20
35	800236	NUTS24	3/8" Nut, Standard	2
36	807522	WAF20M	5/16" SAE Washer, Flat	33
37	807523	WAF24M	3/8" SAE Washer, Flat	60
38	807528	WAL20	5/16" Washer, Lock	20
39	804366	WAL24	3/8" Washer, Lock	10
40	809470	809470	Tooth Clamp Kit (Including items 12, 26, 31, 32 and 37.)	1

# Pickup - Left Side

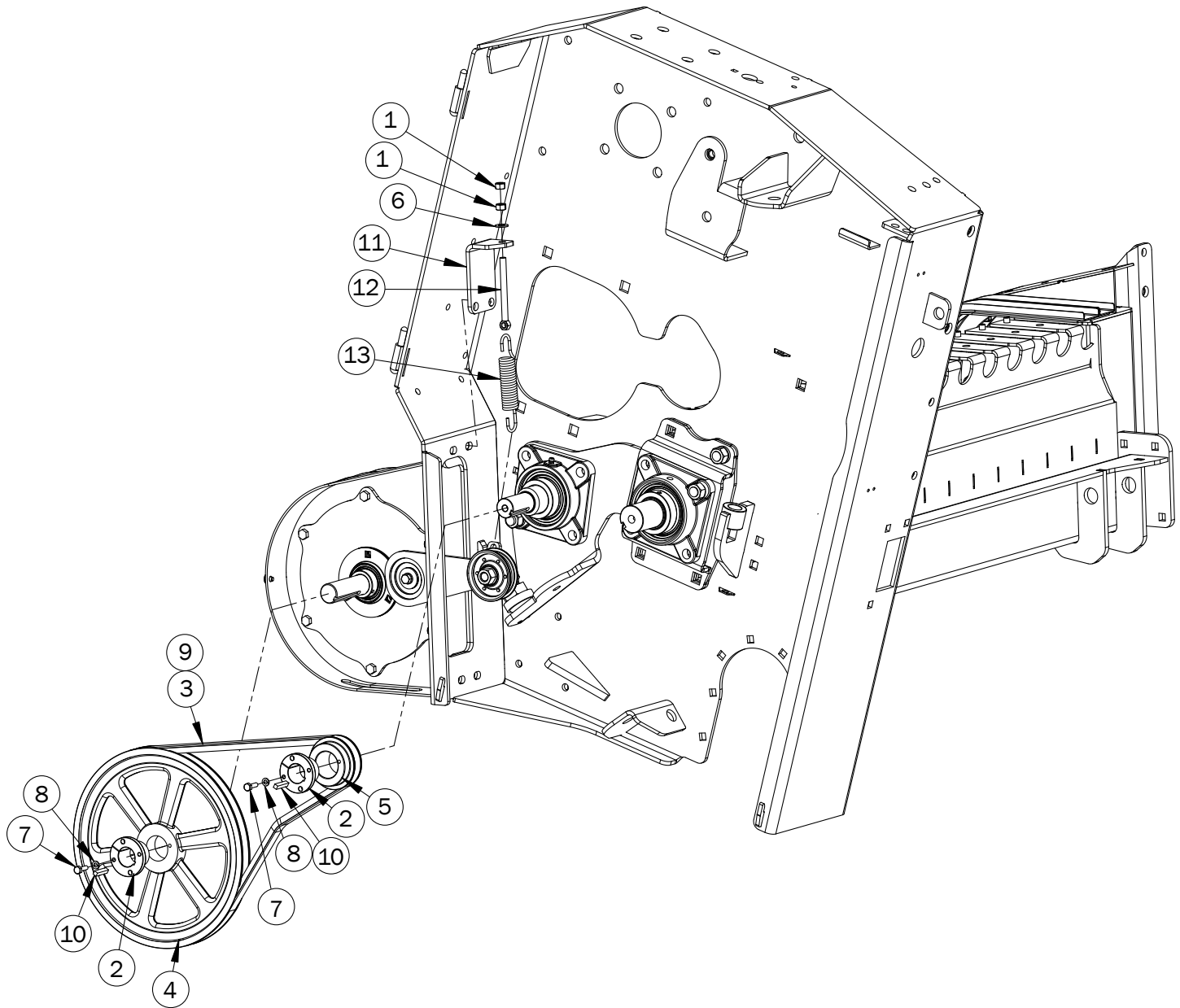


**Pickup - Left Side**

Item No.	Stock No.	Drawing No.	Description	Qty.
1	800045	800045	Collar, Locking	5
2	803586	803586	Bearing	1
3	804061	804061	Bearing/Locking Collar	1
4	804062	804062	Bearing/Locking Collar	5
5	804064	804064	Bearing Flange, 2 Bolt	10
6	804066	804066	Bearing Flange, 3 bolt	2
7	804237	804237	3" Flat Idler	1
8	807156	807156	3/8" x 1-1/4" Setscrew, Sq Hd	1
9	807402	807402	Internal Retaining Ring	1
10	808355	808355	Collar, Locking	1
11	807516	BOC20045	5/16" x 1" Bolt, Carr.	10
12	800209	BOS20035	5/16" x 3/4" Bolt, Standard	2
13	800207	BOS20108	5/16" x 2-1/2" Bolt, Standard, Gr. 8	10
14	803623	BOS24035	3/8" x 3/4" Bolt, Standard	1
15	800195	BOS24045	3/8" x 1" Bolt, Standard	9
16	800197	BOS24055	3/8" x 1-1/4" Bolt, Standard	2
17	814019	814019	5/8" x 2-1/4" Bolt, Standard	1
18	800259	BOSQ24045	3/8" x 1" Setscrew, Sq Hd	1
19	807869	KE2406	3/8" x 1-1/2" Key	1
20	807101	MC112W3	Pickup Side Cover	1
21	803744r03	MC11W2	Pickup Frame L/H	1
22	807472	MC1253	Washer	1
23	803755r02	MC12W1	Plate, Holder, Bearing	1
24	803760r01	MC12W5	Tightener Arm, Pickup Belt	1
25	803764	MC1311	Tooth Bar	5
26	803766	MC133A	Tooth Bar Shaft	5
27	810386	MC135	Main Shaft, Pickup	1
28	810383	MC13W4	Bearing Bracket Star Wheel	1
29	804042r01	MC255C	Spacer - Belt Tightener	1
30	804194	NUTS20	5/16" Nut, Standard	20
31	800236	NUTS24	3/8" Nut, Standard	2
32	804198	NUTS40	5/8" Nut, Standard	1
33	807522	WAF20M	5/16" SAE Washer, Flat	2
34	807528	WAL20	5/16" Washer, Lock	20
35	804366	WAL24	3/8" Washer, Lock	12



# Pickup - Left Side Drive

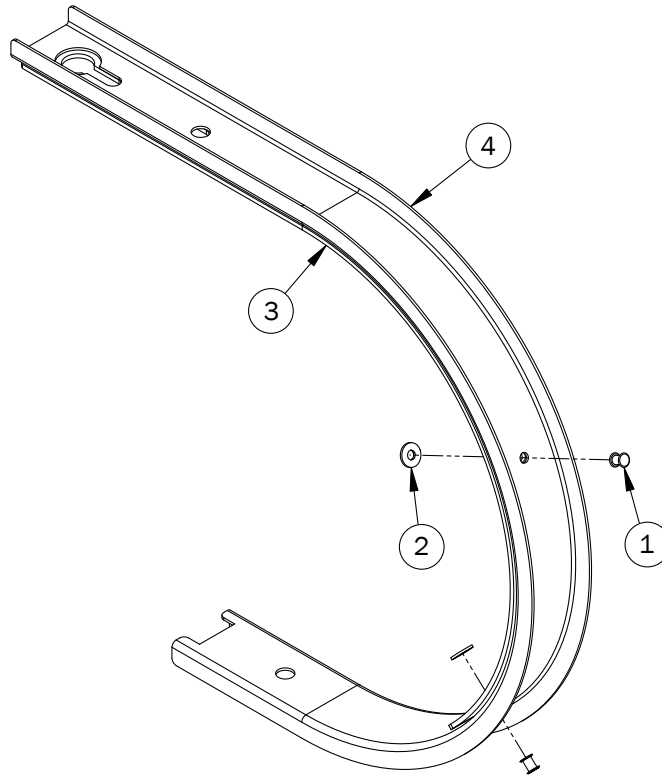


**Pickup - Left Side Drive**

Item No.	Stock No.	Drawing No.	Description	Qty.
1	800236	800236	3/8" Nut, Standard	2
2	801171	801171	L 1-1/4" Hub	2
3	802922	802922	V Belt, BX54	1
4	804238	804238	MBL127 Pulley	1
5	804239	804239	MBL33 Pulley	1
6	807523	807523	3/8" SAE Washer, Flat	1
7	808342	808342	1/4" x 7/8" Bolt, Standard, Full Thread	4
8	808353	808353	1/4" Washer, Lock, Gr. 8	4
9	813820	813820	V Belt, B, 56.0 in., Cogged (Optional - for Raised Pickup)	-
10	803660	KE1605	1/4" x 1-1/4" Key	2
11	807037	MC125A	Tightener Pull Bracket - Pickup	1
12	803761	MC12W6	Threaded Rod, Belt Tightener, Pickup	1
13	804134	MC832	Spring, Extension Pickup Idler	1

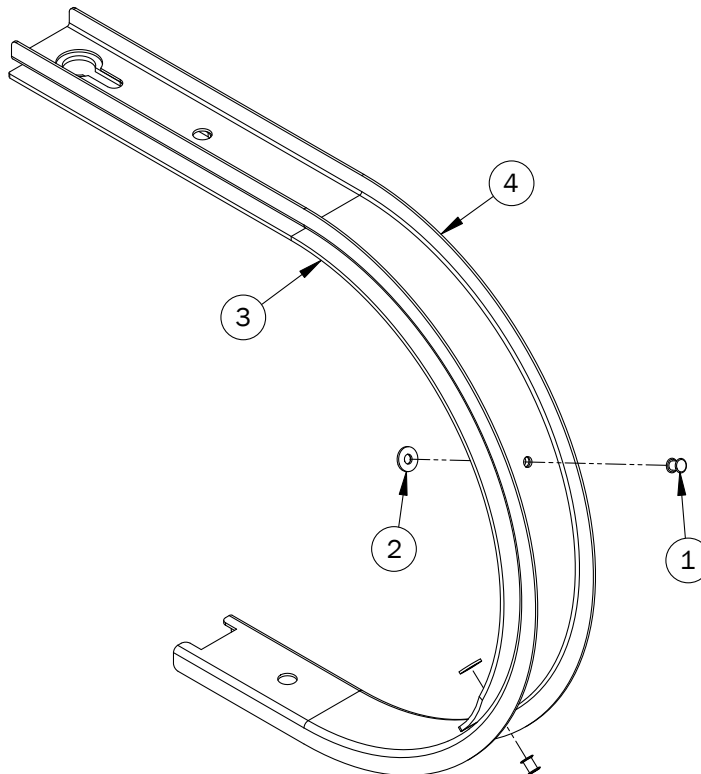
# Pickup Wrappers, Short

## Pickup Wrapper, Short - Right Side MC118R



---

## Pickup Wrapper, Short - Left Side MC118L



## Pickup Wrappers, Short

### Pickup Wrapper, Short - Right Side MC118R

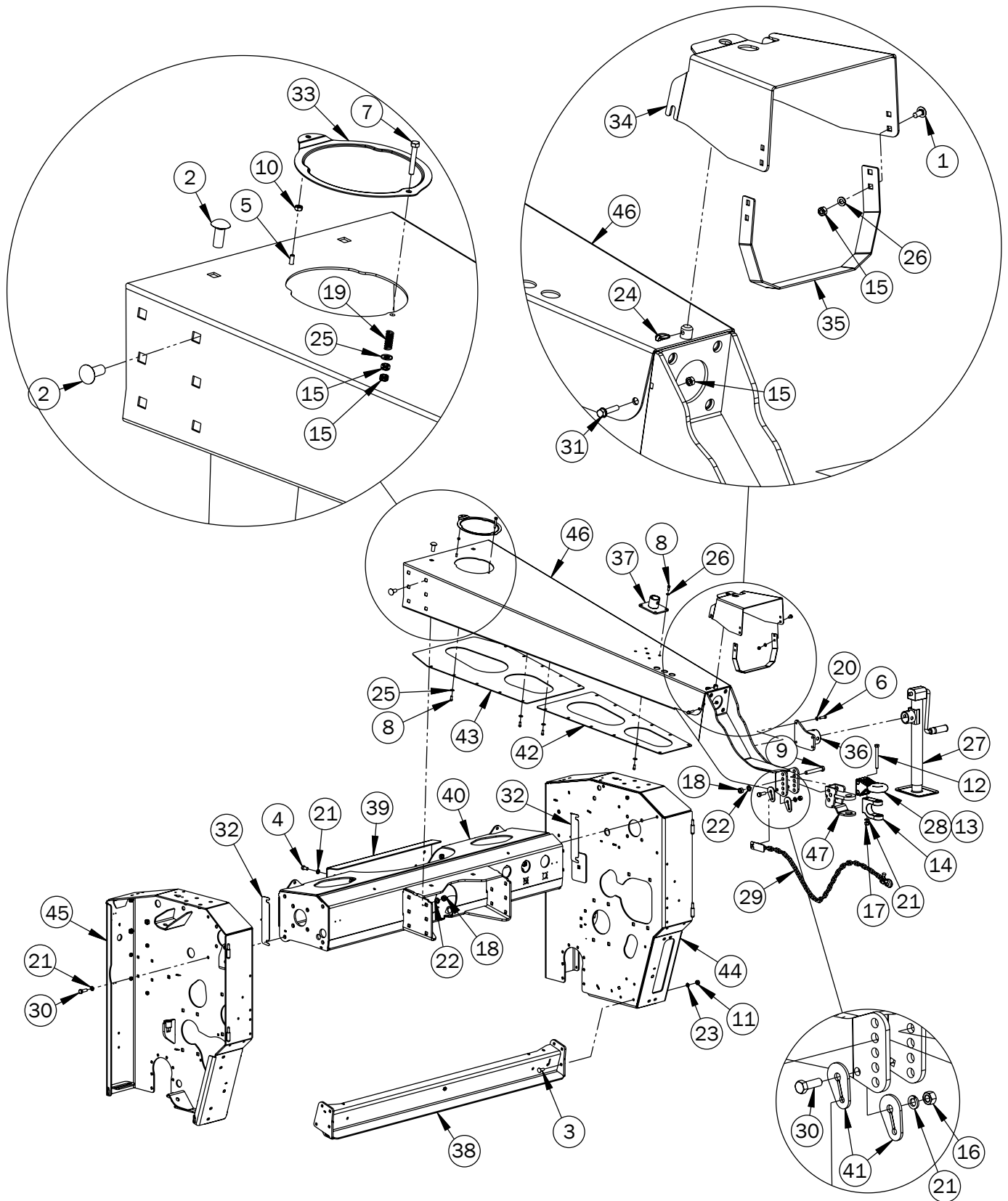
Item No.	Stock No.	Drawing No.	Description	Qty.
1	800159	800159	Rivet, Steel, Blind, 0.187"	2
2	800276	800276	No. 10 Washer, Flat	2
3	803729	MC114B	Spacer, Pickup Wrapper	1
4	803733r01	MC114S	Wrapper, Pickup	1

### Pickup Wrapper, Short - Left Side MC118L

Item No.	Stock No.	Drawing No.	Description	Qty.
1	800159	800159	Rivet, Steel, Blind, 0.187"	2
2	800276	800276	No. 10 Washer, Flat	2
3	803729	MC114B	Spacer, Pickup Wrapper	1
4	803733r01	MC114S	Wrapper, Pickup	1

# Main Frame & Hitch Assembly

Item No.	Stock No.	Drawing No.	Description	Qty.
1	800062	800062	5/16" x 3/4" Bolt, Carr.	4
2	800064	800064	5/8" x 1-1/2" Bolt, Carr.	14
3	800073	800073	7/16" x 1-1/4" Bolt, Carr.	8

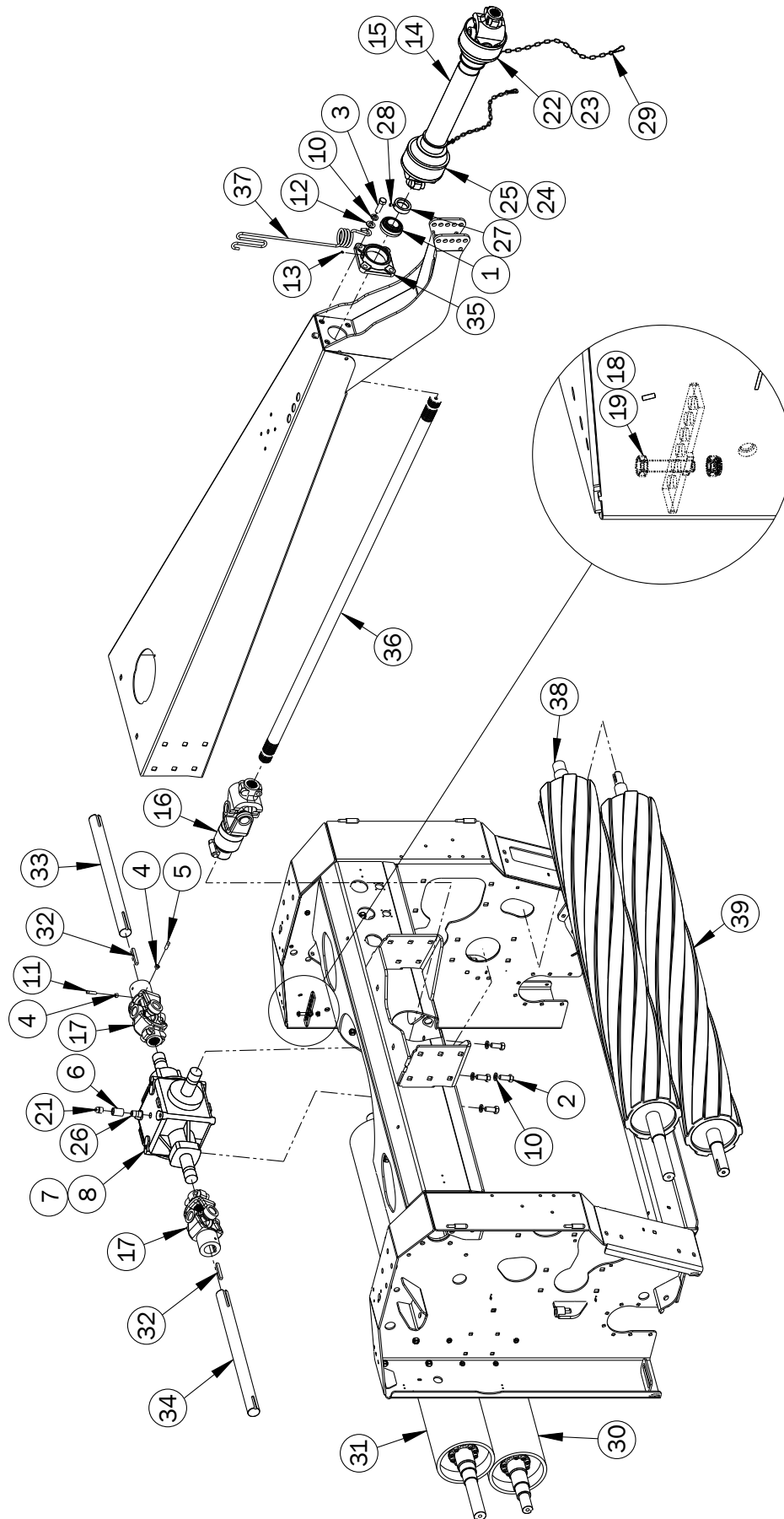




## Main Frame & Hitch Assembly

Item No.	Stock No.	Drawing No.	Description	Qty.
4	800164	800164	1/2" x 1" Bolt, Standard	4
5	800184	800184	1/4" x 3/4" Bolt, Standard	1
6	800197	800197	3/8" x 1-1/4" Bolt, Standard	4
7	800206	800206	5/16" x 2" Bolt, Standard	1
8	800209	800209	5/16" x 3/4" Bolt, Standard	26
9	800216	800216	5/8" x 4-1/2" Bolt, Standard	2
10	800233	800233	1/4" Nut, Standard	1
11	800240	800240	7/16" x Nut, Standard	8
12	803616	803616	1/2" x 4-1/2" Bolt, Fine Thread, Gr. 8 (Optional)	-
13	804090	804090	Cast Hitch Top (Optional)	-
14	804093	804093	Clevis, Cast Hitch (Optional)	-
15	804194	804194	5/16" Nut, Standard	8
16	804196	804196	1/2" Nut, Standard	1
17	804197	804197	1/2" Nut, Standard, Fine Thread (Optional)	-
18	804198	804198	5/8" Nut, Standard	16
19	804301	804301	Spring, Compression	1
20	804366	804366	3/8" Washer, Lock, Spring, Gr. 8	4
21	804367	804367	1/2" Washer, Lock, Spring, Gr. 8	13
22	804368	804368	5/8" Washer, Lock	16
23	806556	806556	7/16" Washer, Lock	8
24	807403	807403	3/16" Lynch Pin	1
25	807522	807522	5/16" SAE Washer, Flat	23
26	807528	807528	5/16" Washer, Lock, Spring, Gr. 8	8
27	807550	807550	Side Wind Jake	1
28	812149	812149	Cast Hitch Top, Austempered (Optional)	-
29	812465	812465	Chain, Travel Safety	1
30	812700	812700	1/2" x 1-1/2" Bolt, Standard, Gr. 8	9
31	814062	814062	5/16" x 1-1/2" Bolt, Flange	2
32	808714	MC2140	Shim, Main Crossbeam (Optional)	-
33	803824	MC215C	Service Cover, Drive Line	1
34	803827	MC215E	Cover, Safety, PTO	1
35	807578	MC215G	Strap - Safety, PTO	1
36	803855	MC21W5C	Jack Mount Bracket	1
37	803857	MC21W5D	Bracket, Jack Storage	1
38	803869	MC21W8	Crossbeam, Cylinder	1
39	810476	MC233A	Plate, Reinforcement, Rear, Crossbeam	1
40	810437	MC23W3	Crossbeam, Main	1
41	812732	MC274	Bracket, Chain, Travel Safety	2
42	810427	MC275A	Cover, Front, A-Frame	1
43	810429	MC275B	Cover, Back, A-Frame	1
44	812264	MC27W3	Main Frame, L/H	1
45	812263	MC27W4	Main Frame, R/H	1
46	810446	MC27W5	A-Frame	1
47	813946	MC29W4	Hitch, Macerator	1

# Drive Line Assembly

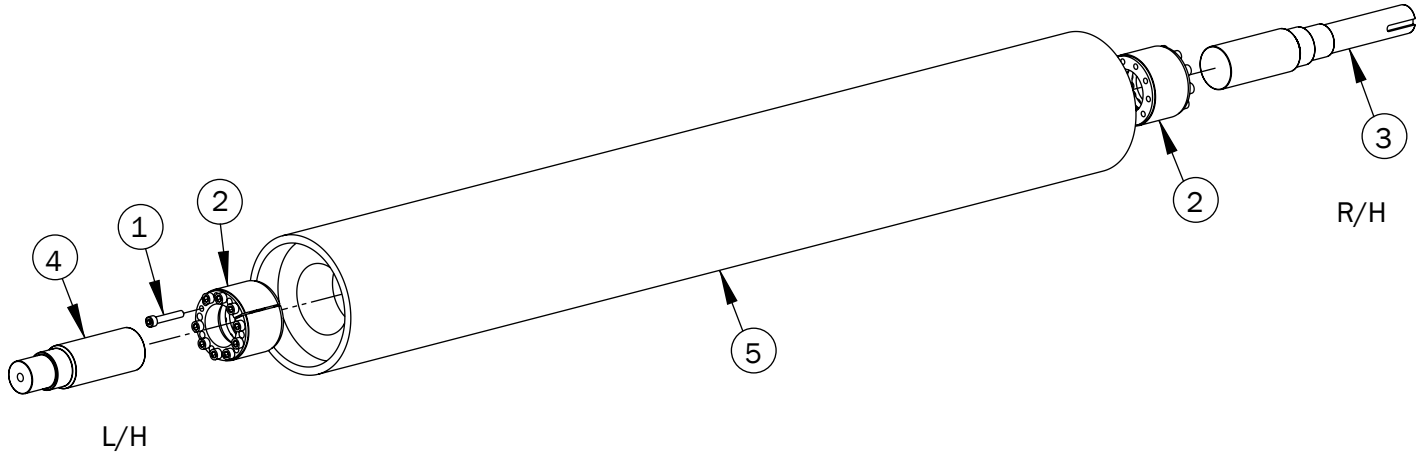


## Drive Line Assembly

Item No.	Stock No.	Drawing No.	Description	Qty.
1	800048	800048	Bearing	1
2	800211	800211	5/8" x 1-1/2" Bolt, Standard	4
3	800212	800212	5/8" x 2" Bolt, Standard	4
4	800236	800236	3/8" Nut, Standard	4
5	800259	800259	3/8" x 1" Setscrew, Sq Hd	2
6	800876	800876	Coupling, Black 1/2"	1
7	804081	804081	Gear Box, Black, 1000 RPM (See pages 28-29)	1
8	804082	804082	Gear Box, Silver, 540 RPM (See pages 26-27)	1
10	804368	804368	5/8" Washer, Lock	8
11	807156	807156	3/8" x 1-1/4" Setscrew, Sq Hd	2
12	807525	807525	Washer, SAE, 5/8"	1
13	807558	807558	Nipple, Grease 1/4" NF	1
14	807562	807562	PTO Drive Shaft Assembly, 540 RPM (See pages 30-31)	1
15	807563	807563	PTO Drive Shaft Assembly, 1000 RPM (See pages 32-33)	1
16	807564	807564	Over-Running Clutch (See pages 34-35)	1
17	807565	807565	U Joint (See pages 36-37)	2
18	814771	814771	Kit, Bolt, Shear, Nut, Metric, Black, 10 x 50, Gr. 8.8 (Shear Bolt 1000 RPM)	1
19	814770	814770	Kit, Bolt, Shear, Nut, Metric, Black, 12 x 65, Gr. 8.8 (Shear Bolt 540 RPM)	1
21	807866	807866	Plug, 1/2" NPT Vented	1
22	808044	808044	Shaft, Outer Half, 1000 RPM	1
23	808045	808045	Shaft, Outer Half, 540 RPM	1
24	808046	808046	Shaft, Inner Half, 540 RPM	1
25	808047	808047	Shaft, Inner Half, 1000 RPM	1
26	808107	808107	Nipple, Black 1/2" x 1-1/2"	1
27	808109	808109	Collar, Locking	1
28	808200	808200	Screw, Set, 3/8" x 3/8"	1
29	808776	808776	Chain, Safety Tube, PTO	2
30	813793	A66037	Steel Roll, Bottom, Heavy Duty (See pages 24-25)	1
31	813796	A66038	Steel Roll, Top, Heavy Duty (See pages 24-25)	1
32	812749	KE2412	3/8" x 3" Key	2
33	803897	MC2271	Stub, Drive Shaft	1
34	807041	MC227B	Stub, Drive Shaft	1
35	807890	MC512A	Housing, 4 Bolt	1
36	804087	MC615	Shaft, Drive	1
37	807513	MC723	Spring - Hose Holder	1
38	808528	MC770	Top Rubber Roll	1
39	808527	MC771	Bottom Rubber Roll	1

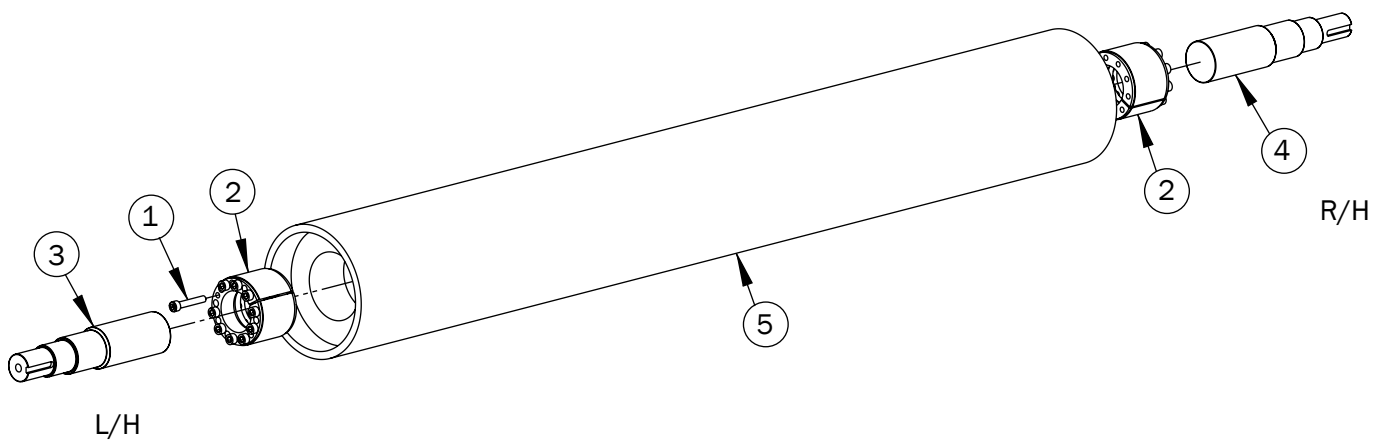
# Steel Roll Assembly

## Top Steel Roll Assembly A66038



---

## Bottom Steel Roll Assembly A66037



# Steel Roll Assembly

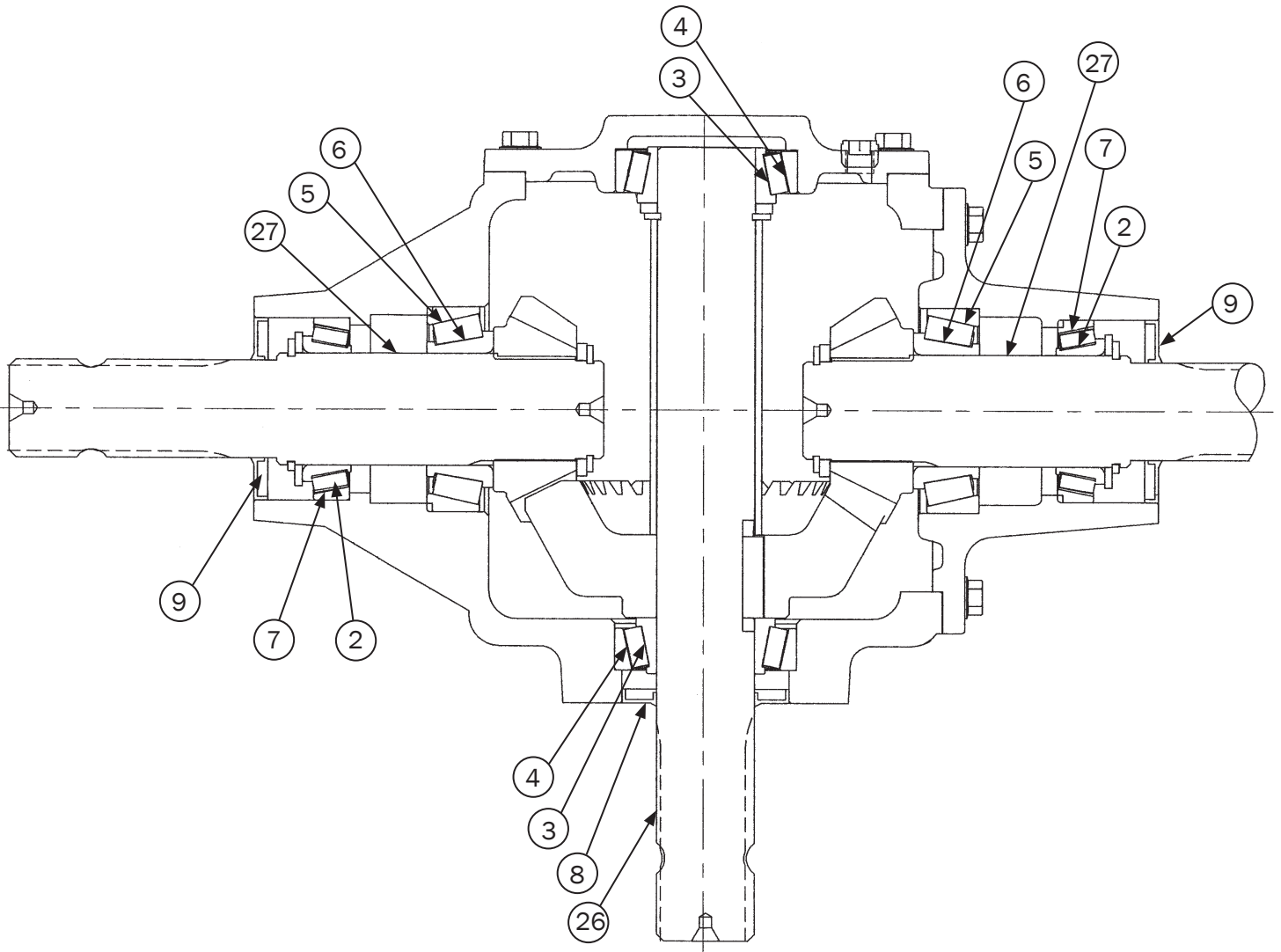
## Top Steel Roll Assembly A66038

Item No.	Stock No.	Drawing No.	Description	Qty.
1	808123	808123	10mm x 60mm Capscrew, Socket Head, Gr. 8	20
2	808128	808128	B-Lock Hub	2
3	812329	MC764	Stub Shaft, R/H, Top	1
4	812330	MC765	Stub Shaft, L/H, Top	1
5	813790	MC76W2	Steel Roll Tube, Heavy Duty	1

## Bottom Steel Roll Assembly A66037

Item No.	Stock No.	Drawing No.	Description	Qty.
1	808123	808123	10mm x 60mm Capscrew, Socket Head, Gr. 8	20
2	808128	808128	B-Lock Hub	2
3	812327	MC762	Stub Shaft, L/H, Bottom	1
4	812328	MC763	Stub Shaft, R/H, Bottom	1
5	813790	MC76W2	Steel Roll Tube, Heavy Duty	1

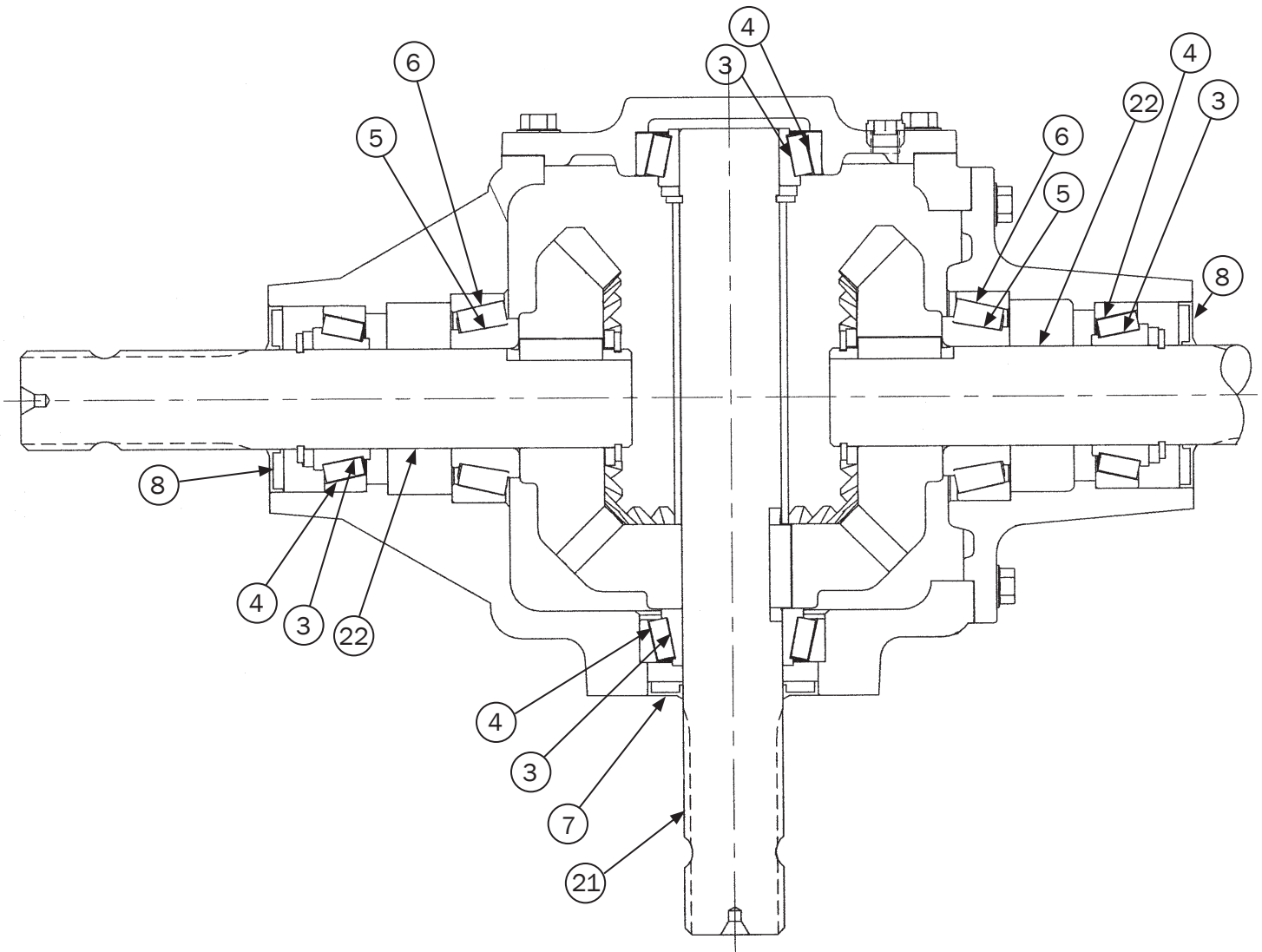
# 540 RPM Gearbox - 804082



**540 RPM Gearbox - 804082**

Item No.	Stock No.	Drawing No.	Description	Qty.
2	807824	807824	Brg. Cone LM104949	2
3	807825	807825	Brg. Cone 25581	2
4	807820	807820	Brg. Cup 25520	2
5	807819	807819	Brg. Cup 3730	2
6	807823	807823	Brg. Cone 3780	2
7	807818	807818	Brg. Cup LM104912	2
8	806268	806268	Oil Seal - Viton	1
9	806269	806269	Oil Seal - Viton Ø1.75 - 3.27	2
26	807851	807851	Shaft - Cross	1
27	807836	807836	Shaft - Quill	2

# 1000 RPM Gearbox - 804081

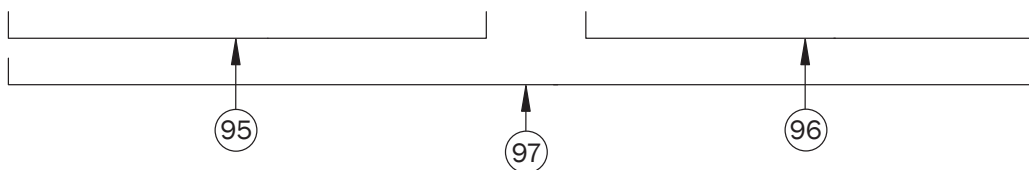
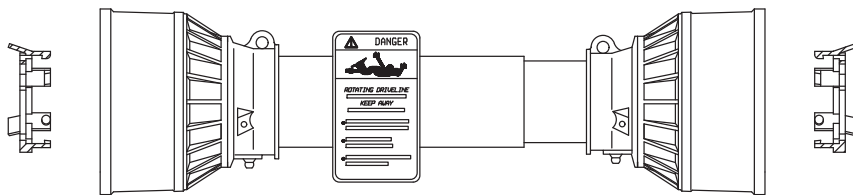
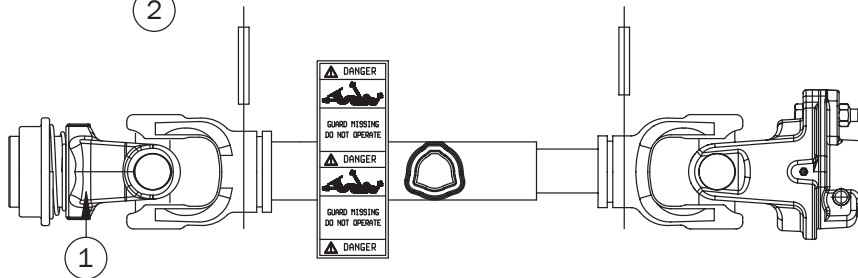
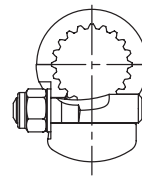
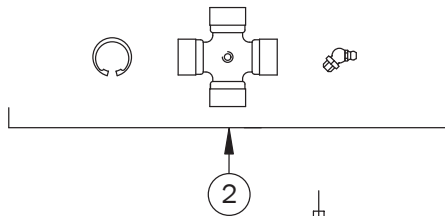
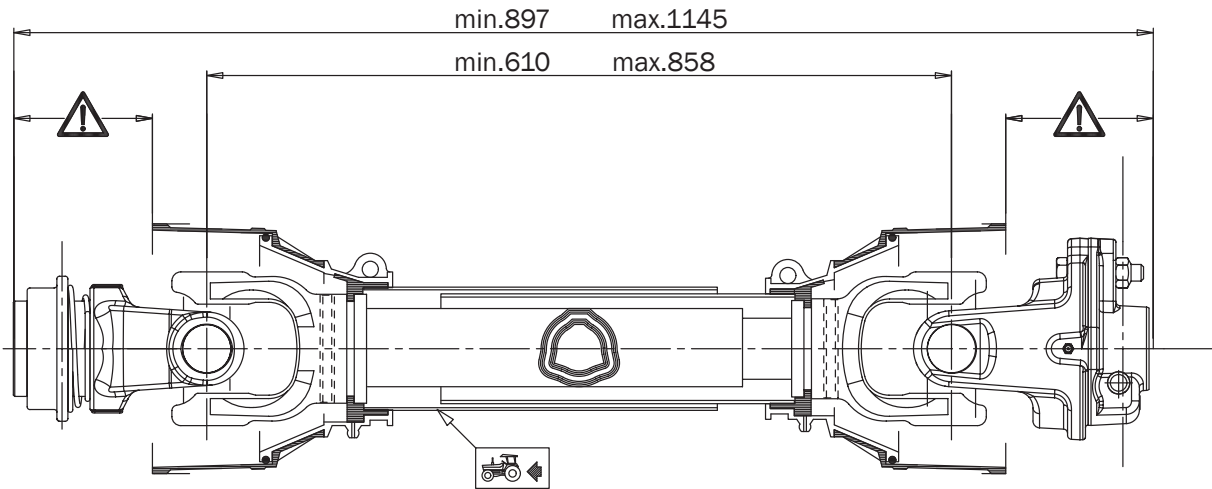




**1000 RPM Gearbox - 804081**

Item No.	Stock No.	Drawing No.	Description	Qty.
3	807825	807825	Brg. Cone 25581	4
4	807820	807820	Brg. Cup 25520	4
5	807826	807826	Brg. Cone 3782	2
6	807819	807819	Brg. Cup 3730	2
7	806268	806268	Oil Seal - Viton	1
8	806269	806269	Oil Seal - Viton Ø1.75 - 3.27	2
21	807851	807851	Shaft - Cross	1
22	806138	806138	Shaft - Quill	2

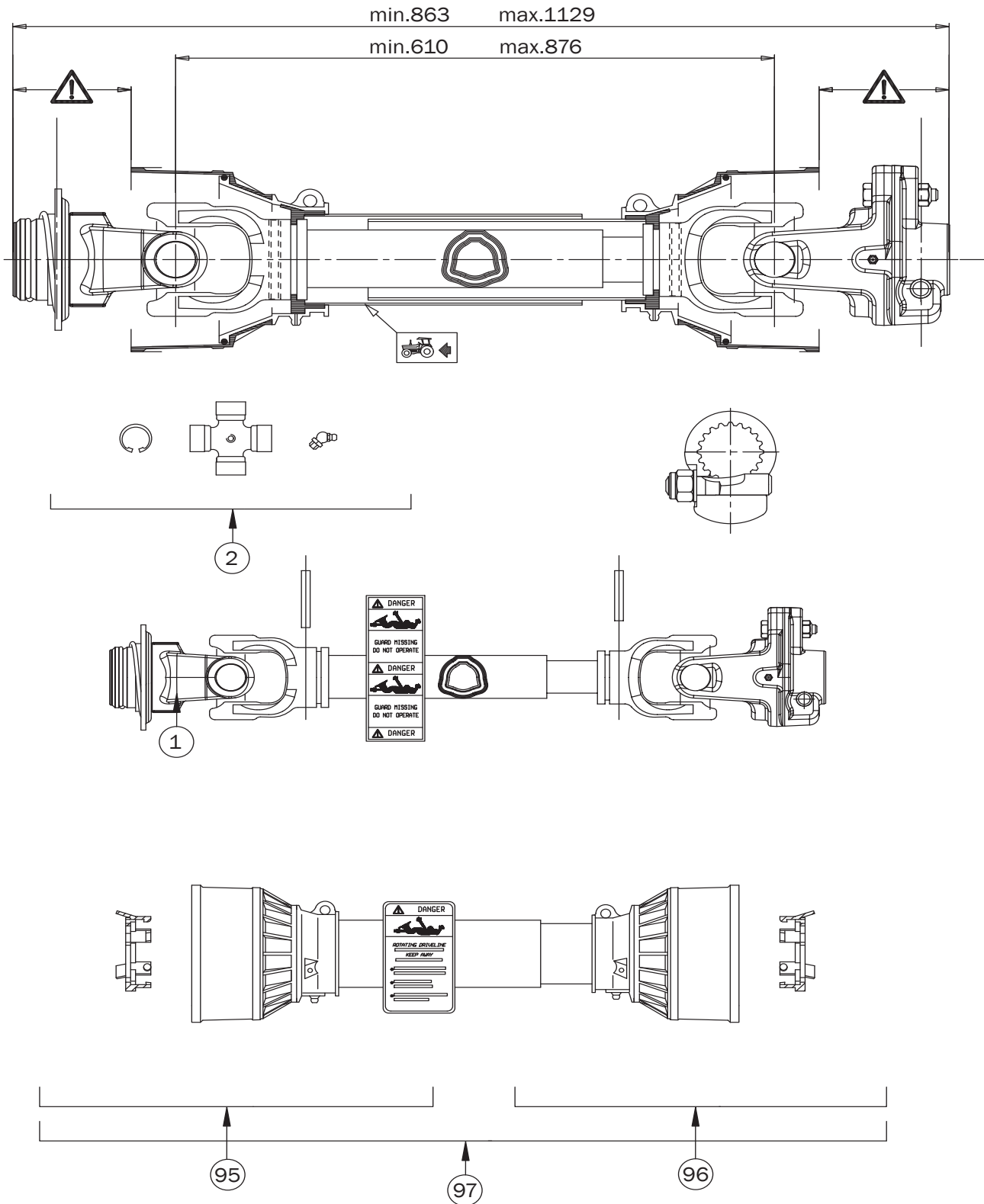
# 540 RPM Drive Shaft - 807562



**540 RPM Drive Shaft - 807562**

Item No.	Stock No.	Drawing No.	Description	Qty.
1	807964	807964	Yoke S9 1 3/8Z6 RT	1
2	807966	807966	Cross Journal Assembly	2
95	808053	808053	Outer Half Shaft Shield	1
96	808054	808054	Inner Half Shaft Shield	1
97	808057	808057	Complete Shield	1

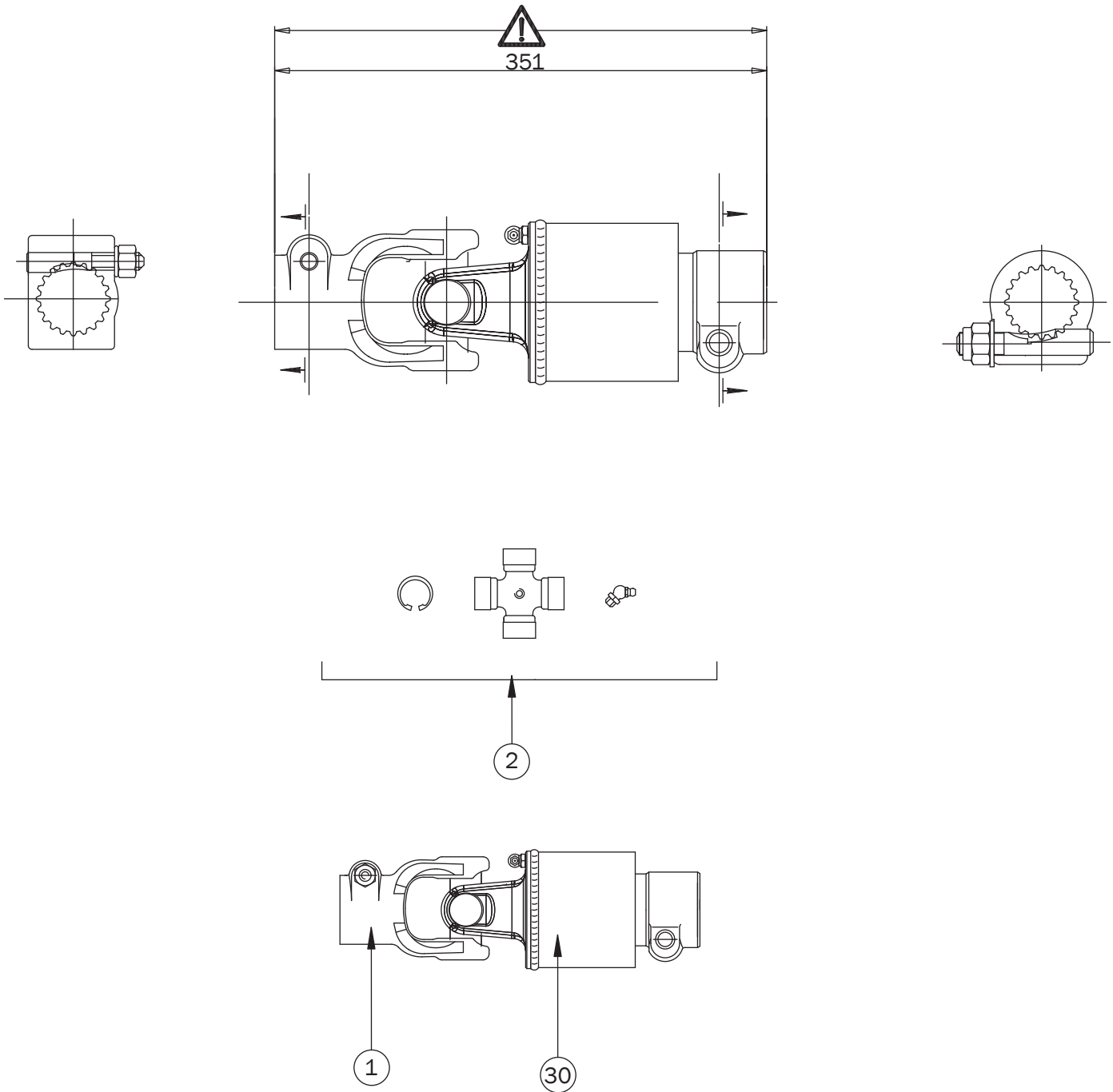
# 1000 RPM Drive Shaft - 807563



**1000 RPM Drive Shaft - 807563**

Item No.	Stock No.	Drawing No.	Description	Qty.
1	807965	807965	Yoke	1
2	807967	807967	Cross Journal Assembly	2
95	808052	808052	Outer Half Shaft Shield	1
96	808055	808055	Inner Half Shaft Shield	1
97	808056	808056	Complete Shield	1

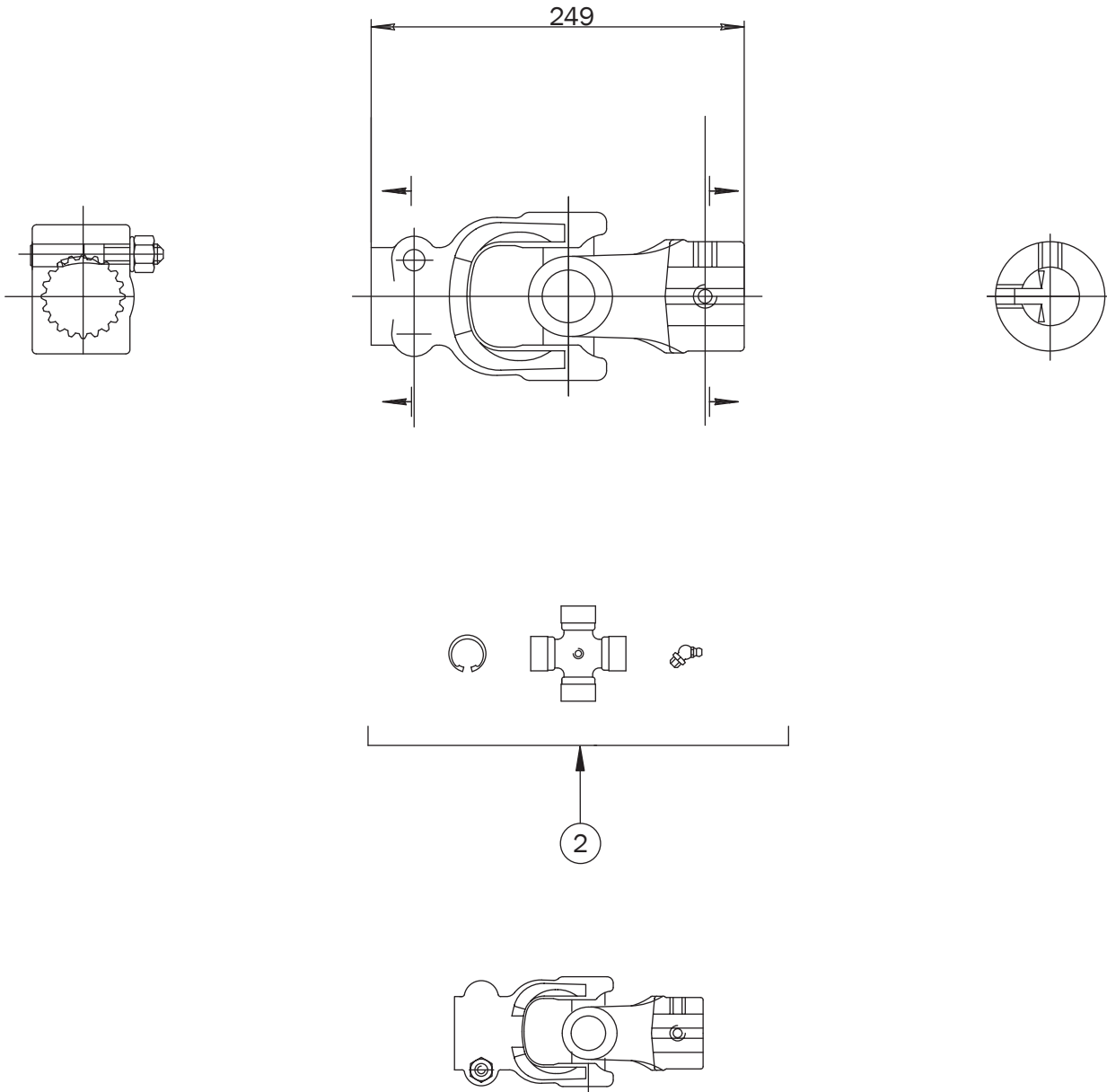
# Over-Running Clutch - 807564



**Over-Running Clutch - 807564**

Item No.	Stock No.	Drawing No.	Description	Qty.
1	808068	808068	Yoke, Size 8 C, Bolt 1-3/4" 20SP (017)	1
2	807966	807966	Cross Journal Assembly	1
30	808072	808072	Yoke and Over Run Clutch, Set, PTO	1

# Gearbox U-Joints - 807565

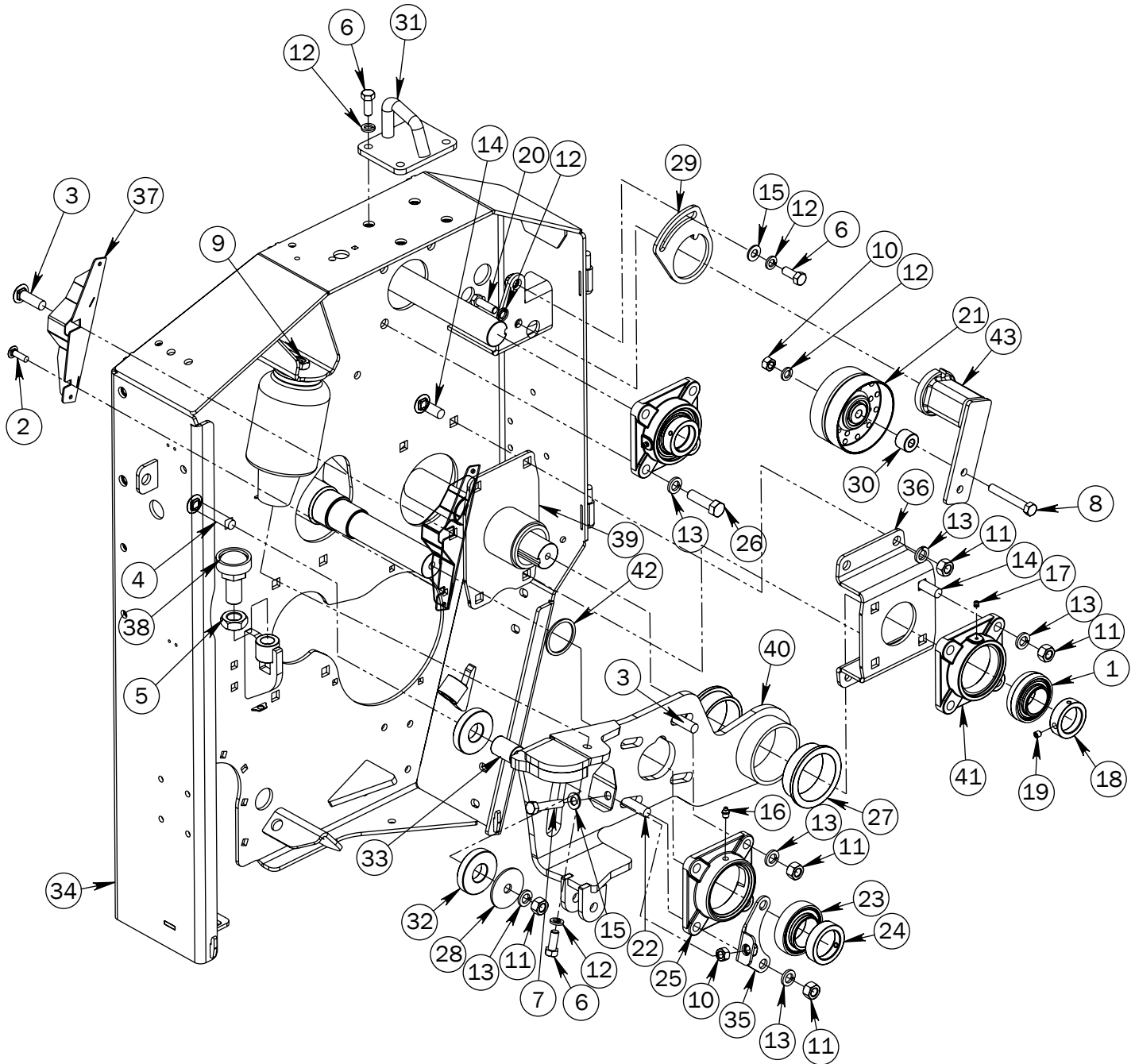




**Gearbox U-Joints - 807565**

Item No.	Stock No.	Drawing No.	Description	Qty.
2	807966	807966	Cross Journal Assembly	1

# Right Side - View A

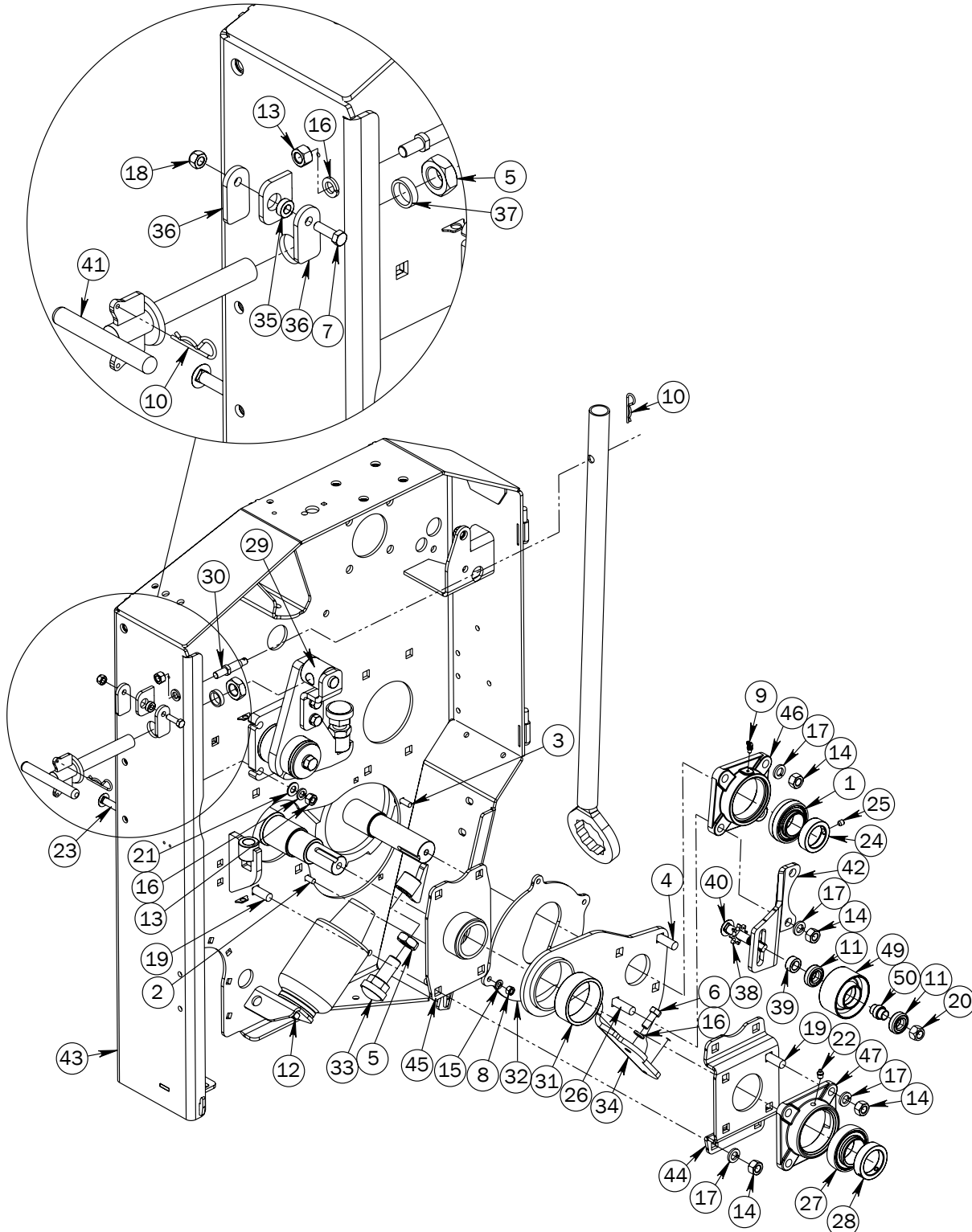


**Right Side - View A**

Item No.	Stock No.	Drawing No.	Description	Qty.
1	800048	800048	Bearing	2
2	800059	800059	3/8" x 1-1/4" Bolt, Car. (See page 40, Item 3)	-
3	800065	800065	5/8" x 2" Bolt, Carr.	3
4	800068	800068	5/8" x 3-1/2" Bolt, Carr.	1
5	800133	800133	1" Nut, Jam	1
6	800166	800166	1/2" x 1-1/4" Bolt, Standard	6
7	800170	800170	1/2" x 2-1/2" Bolt, Standard, Full Thread	1
8	800174	800174	1/2" x 3-1/2" Bolt, Standard	1
9	804155	804155	3/4" Nut, Jam, NF	1
10	804196	804196	1/2" Nut, Standard	2
11	804198	804198	5/8" Nut, Standard	13
12	804367	804367	1/2" Washer, Lock, Spring, Gr. 8	8
13	804368	804368	5/8" Washer, Lock	17
14	807517	807517	5/8" x 1-3/4" Bolt, Carr.	7
15	807524	807524	1/2" SAE Washer, Flat	2
16	807556	807556	Nipple, Grease, 1/8 MPT	1
17	807558	807558	Nipple, Grease, 1/4" NF	2
18	808109	808109	Collar, Locking	2
19	808200	808200	Screw, Set, 3/8" x 3/8"	3
20	808362	808362	12mm x 40mm Bolt, Metric	1
21	808522	808522	5" Idler Pulley	1
22	810550	810550	5/8" x 2-1/4" Bolt, Carr.	2
23	812463	812463	Bearing	1
24	812635	812635	Collar, Locking	1
25	813325	813325	Housing, 4 Bolt	1
26	814019	814019	5/8" x 2-1/4" Bolt, Standard	4
27	801484	MC221A	Bushing, Steel Roll Pivot	2
28	803884	MC225A	2-3/4" Washer	1
29	807052	MC225E	Bracket, Rubber Roll Belt Tightener	1
30	808530	MC225M	Spacer, Tightener	1
31	807591	MC25W2	Lifting Hook	1
32	810496	MC265A	Washer, Guide	2
33	810497	MC265B	Trunnion, Pivot Arm, Steel Roll	1
34	812263	MC27W4	Main Frame, R/H	1
35	812459	MC27W9	Bracket, Belt Tightening, R/H	1
36	812354	MC288	Bearing Bracket, Rubber Roll, R/H	1
37	812340	MC28W4R	Shield, Anti-Wrapper, R/H	1
38	812720	MC28W5	Bumper, Rubber	1
39	812362	MC28W7	Pivot Arm Holder, R/H	1
40	814522	MC29W9	Pivot Arm, Steel Roll, R/H	1
41	807890	MC512A	Housing, 4 Bolt	2
42	812368	MC766	Shim, Steel Roll (Optional)	-
43	808966	MCSE27	Tightener	1

# Right Side - View B

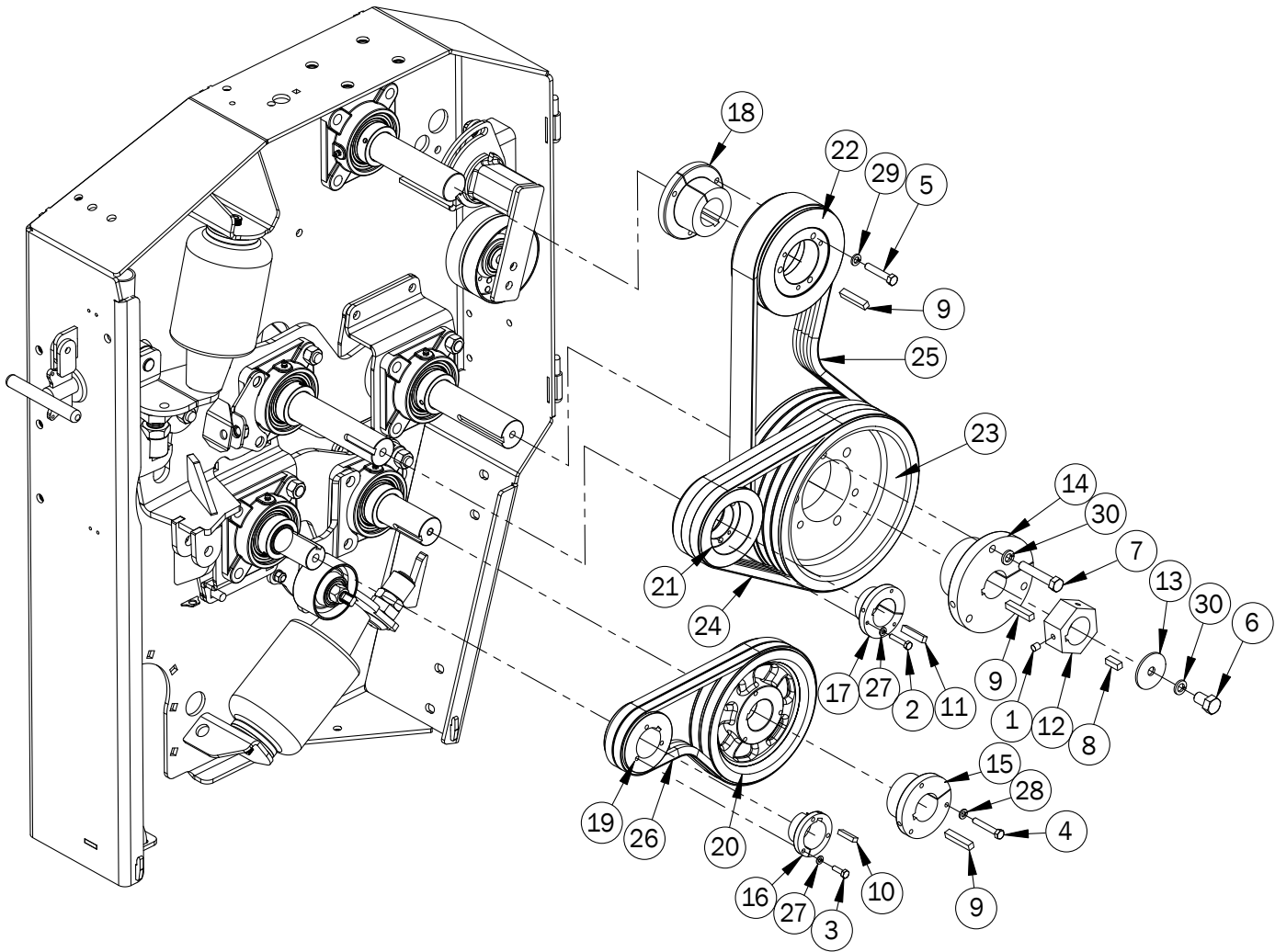
Item No.	Stock No.	Drawing No.	Description	Qty.
1	800048	800048	Bearing	1
2	800057	800057	3/8" x 1" Bolt, Carr.	3
3	800059	800059	3/8" x 1-1/4" Bolt, Carr.	1
4	800065	800065	5/8" x 2" Bolt, Carr.	2
5	800133	800133	1" Nut, Jam	2
6	800166	800166	1/2" x 1-1/4" Bolt, Standard	1



**Right Side - View B**

Item No.	Stock No.	Drawing No.	Description	Qty.
7	800197	800197	3/8" x 1-1/4" Bolt, Standard	1
8	800236	800236	3/8" Nut, Standard	4
9	801631	801631	Nipple Grease, 45 Degree, 1/4	1
10	801820	801820	Pin, R, 1/8"	2
11	803583	803583	Bearing	2
12	804155	804155	3/4" Nut, Jam, NF	1
13	804196	804196	1/2" Nut, Standard	5
14	804198	804198	5/8" Nut, Standard	14
15	804366	804366	3/8" Washer, Lock, Spring, Gr. 8	3
16	804367	804367	1/2" Washer, Lock, Spring, Gr. 8	6
17	804368	804368	5/8" Washer, Lock	14
18	806636	806636	3/8" Nut, Pinch Lock	1
19	807517	807517	5/8" x 1-3/4" Bolt, Carr.	8
20	807521	807521	5/8" Nut, Pinch Lock	1
21	807524	807524	1/2" SAE Washer, Flat	4
22	807556	807556	Nipple Grease, 1/8 MPT	1
23	807706	807706	1/2" x 1-3/4" Bolt, Carr.	4
24	808109	808109	Collar, Locking	1
25	808200	808200	Screw, Set, 3/8" x 3/8"	2
26	810550	810550	5/8" x 2-1/4" Bolt, Carr.	2
27	812463	812463	Bearing	1
28	812635	812635	Collar, Locking	1
29	803929r01	A66007	Gap Adjuster, R/H (See pages 54-55)	1
30	807884	MC2120A	Stud - Reversing Wrench Holder	1
31	801481	MC221	Bushing, Pivot	1
32	803895	MC226	Rubber Roll Cover	1
33	803908	MC22W3	Rubber Bumper	1
34	803915	MC22W4R	Pivot Arm, Rubber Roll, R/H	1
35	803994	MC248C	7mm Bushing 3/8" ID	1
36	804035r01	MC254A	Lock, Crank	2
37	804037	MC254B	Crank Arm Spacing Bushing	1
38	804039r01	MC255A	Belt Tightener Sprocket	1
39	804042r02	MC255C	Spacer - Belt Tightener	1
40	807487	MC255D	Bolt, Belt Tightener	1
41	804049r01	MC25W4	Rubber Bumper Crank	1
42	804050r02	MC25W5	Bracket, Belt Tightening	1
43	812263	MC27W4	Main Frame, R/H	1
44	812357	MC287	Bracket, Roll Bearing	1
45	812360	MC28W6	Holder, Pivot Arm	1
46	807890	MC512A	Housing, 4 Bolt	1
47	813736	MC520	Housing, 4 Bolt	1
48	807028r01	MC77W2	Reversing Wrench	1
49	807456	MC829B	Pulley - Idler - 3.5"	1
50	807457	MC829D	Spindle - Idler	1

# Right Side - Drives



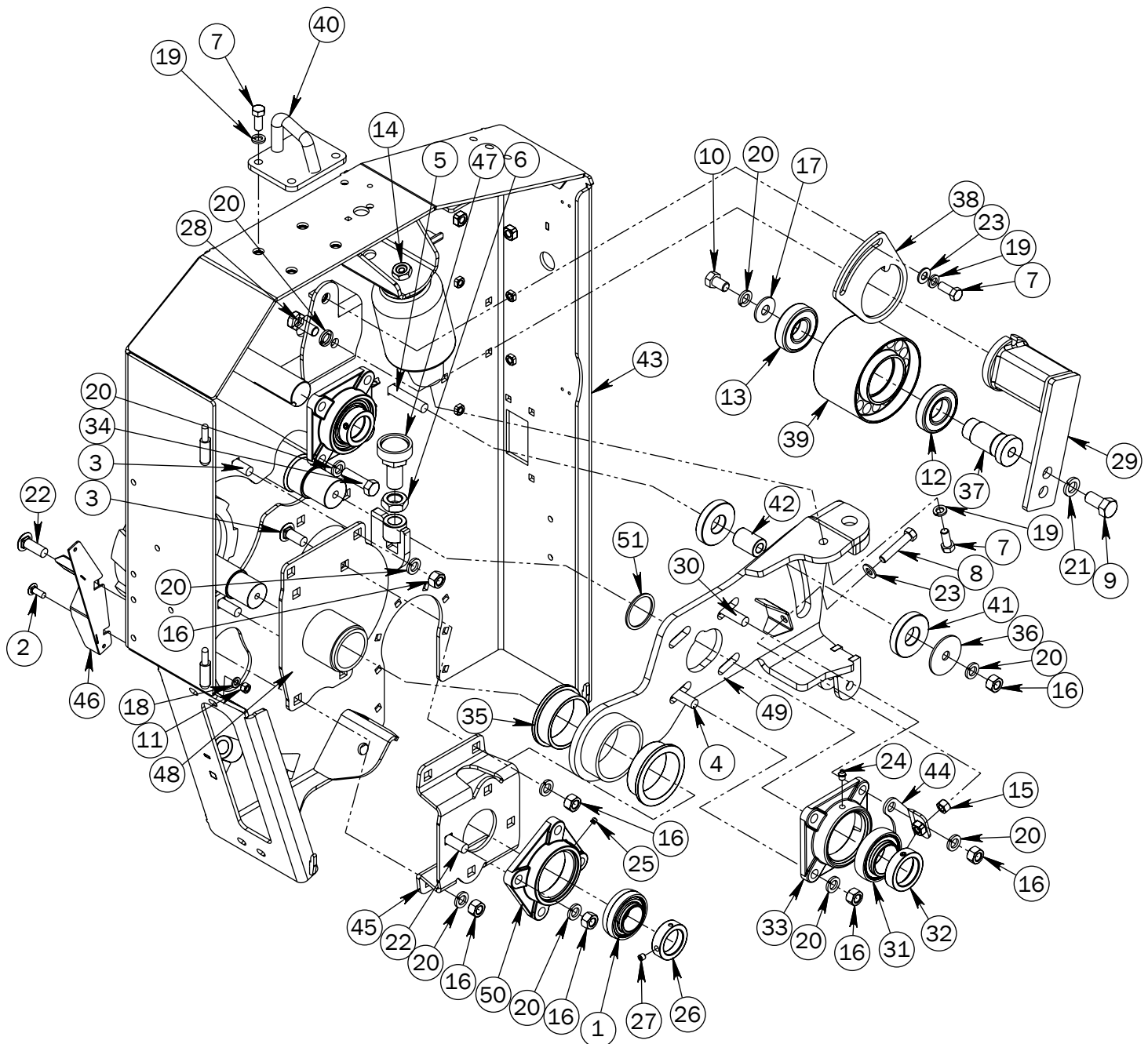
## Right Side - Drives

Item No.	Stock No.	Drawing No.	Description	Qty.
1	808200	808200	Screw, Set, 3/8" x 3/8"	2
2	808341	808341	1/4" x 1-3/8" Bolt, Standard, Full Thread	3
3	808342	808342	1/4" x 7/8" Bolt, Standard, Full Thread	3
4	808343	BOS20085T	5/16" x 2" Bolt, Standard, Full Thread	3
5	808340	BOS24085T	3/8" x 2" Bolt, Standard, Full Thread	3
6	800164	BOS32045	1/2" x 1" Bolt, Standard	1
7	808339	BOS32115T	1/2" x 2-3/4" Bolt, Standard, Full Thread	3
8	803661	KE2404	3/8" x 1" Key	1
9	803662	KE2408	3/8" x 2" Key	3
10	808344	KE241605	3/8" x 1/4" x 1-1/4" Key	1
11	808345	KE242007	3/8" x 5/16" x 1-3/4" Key	1
12	804116	MC770A	Reversing Hex Block	1
13	807794	MC770D	Washer - Hex Block	1
14	801169	MC811S	Hub, E 1-3/4"	1
15	806941	MC813C	Hub, SK 1-3/4"	1
16	806940	MC814C	Hub, SH 1-1/2"	1
17	801176	MC815S	Hub, SDS 1-3/4"	1
18	801177	MC816S	Hub, SF 1-3/4"	1
19	806938	MC820C	2B34 Pulley	1
20	806939	MC821C	2B80 Pulley	1
21	804232	MC822S	3-5V5.2 Pulley	1
22	804233	MC823S	3-5V7.1 Pulley	1
23	804236	MC826S	6-5V10.9 Pulley	1
24	802911	MC835A	V-Belt, 5VX450	3
25	806942	MC836C	V-Belt, 3-5VX630 Banded	1
26	802917	MC838	V-Belt, BX36	2
27	808353	WAL16	1/4" Washer, Lock	6
28	807528	WAL20	5/16" Washer, Lock	3
29	804366	WAL24	3/8" Washer, Lock	3
30	804367	WAL32	1/2" Washer, Lock	4



# Left Side - View A

Item No.	Stock No.	Drawing No.	Description	Qty.
1	800048	800048	Bearing	2
2	800057	800057	3/8" x 1" Bolt, Carr.	1
3	800064	800064	5/8" x 1-1/2" Bolt, Carr.	4
4	800065	800065	5/8" x 2" Bolt, Carr.	2
5	800068	800068	5/8" x 3-1/2" Bolt, Carr.	1
6	800133	800133	1" Nut, Jam	1
7	800166	800166	1/2" x 1-1/4" Bolt, Standard	6
8	800170	800170	1/2" x 2-1/2" Bolt, Standard, Full Thread	1

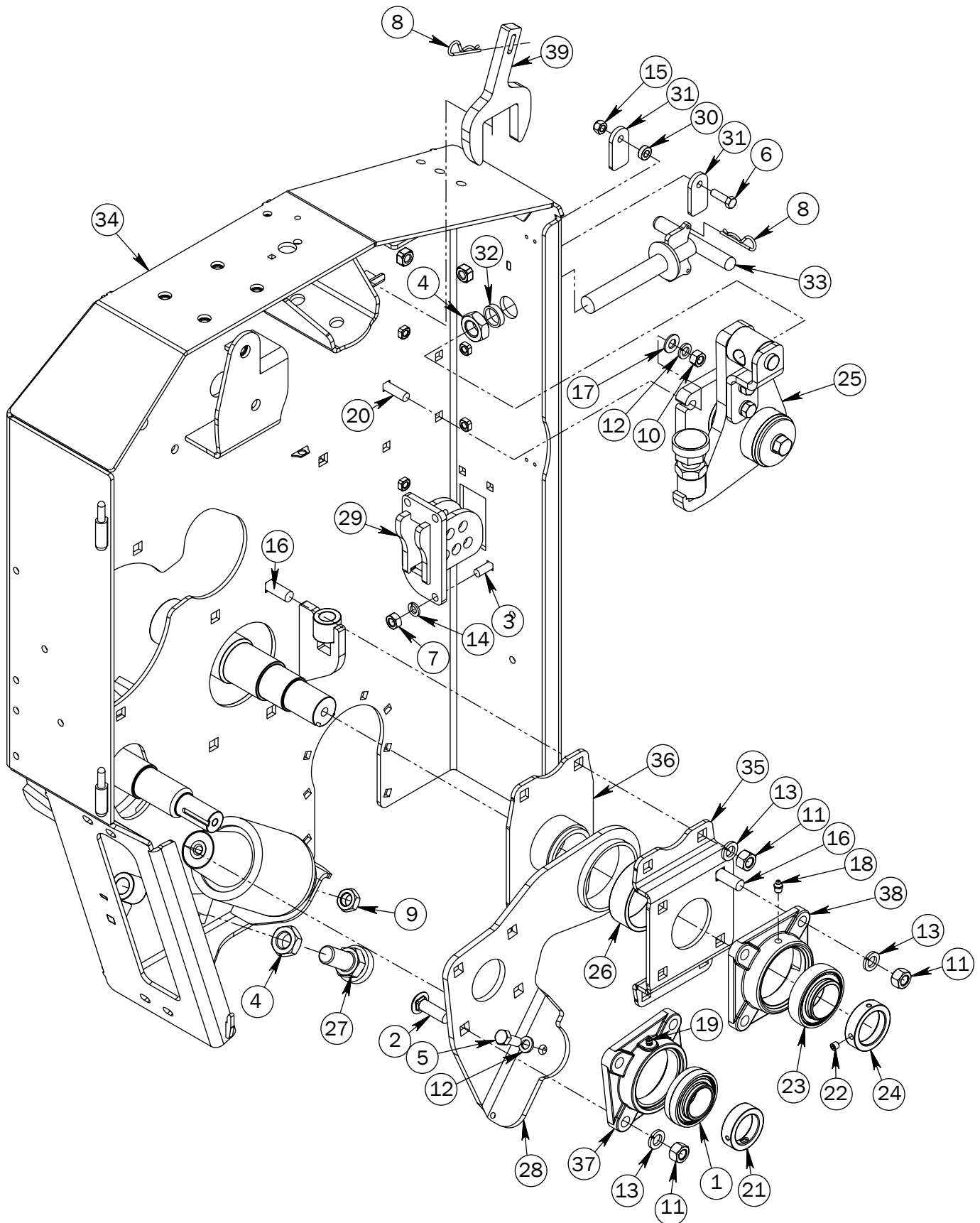




## Left Side - View A

Item No.	Stock No.	Drawing No.	Description	Qty.
9	800189	800189	3/4" x 1-1/2" Bolt, Standard	1
10	800210	800210	5/8" x 1" Bolt, Standard	1
11	800236	800236	3/8" Nut, Standard	1
12	803585	803585	Bearing	1
13	803587	803587	Bearing	1
14	804155	804155	3/4" Nut, Jam, NF	1
15	804196	804196	1/2" Nut, Standard	1
16	804198	804198	5/8" Nut, Standard	15
17	804365	804365	5/8" Washer, Flat	1
18	804366	804366	3/8" Washer, Lock, Gr. 8	1
19	804367	804367	1/2" Washer, Lock	6
20	804368	804368	5/8" Washer, Lock	21
21	804369	804369	3/4" Washer, Lock	1
22	807517	807517	5/8" x 1-3/4" Bolt, Carr.	6
23	807524	807524	1/2" SAE Washer, Flat	2
24	807556	807556	Nipple, Grease, 1/8 MPT	1
25	807558	807558	Nipple, Grease, 1/4" NF	2
26	808109	808109	Collar, Locking	2
27	808200	808200	Screw, Set, 3/8" x 3/8"	3
28	808363	808363	16mm x 40mm Bolt, Metric	1
29	808965	808965	Tightener	1
30	810550	810550	5/8" x 2-1/4" Bolt, Standard	2
31	812463	812463	Bearing	1
32	812635	812635	Collar, Locking	1
33	813325	813325	Housing, 4 Bolt	1
34	814019	814019	5/8" x 2-1/4" Bolt, Standard	4
35	801484	MC221A	Bushing, Steel Roll Pivot	2
36	803884	MC225A	2-3/4" Washer	1
37	803892	MC226E	Shaft - Steel Roll Drive Spindle	1
38	803894	MC226G	Belt Tightener Holder	1
39	807461	MC226H	Pulley - Idler - 6"	1
40	807591	MC25W2	Lifting Hook	1
41	810496	MC265A	Washer, Guide	2
42	810497	MC265B	Trunnion, Pivot Arm, Steel Roll	1
43	812264	MC27W3	Main Frame, L/H	1
44	812456	MC27W8	Bracket, Belt Tightening, L/H	1
45	812351	MC286	Bearing Bracket, Rubber Roll, L/H	1
46	812337	MC28W4L	Shield, Anti-Wrapper, L/H	1
47	812720	MC28W5	Bumper, Rubber	1
48	812365	MC28W8	Holder, Pivot Arm, L/H	1
49	814520	MC29W0	Pivot Arm, Steel Roll, L/H	1
50	807890	MC512A	Housing, 4 Bolt	2
51	812368	MC766	Shim, Steel Roll (Optional)	-

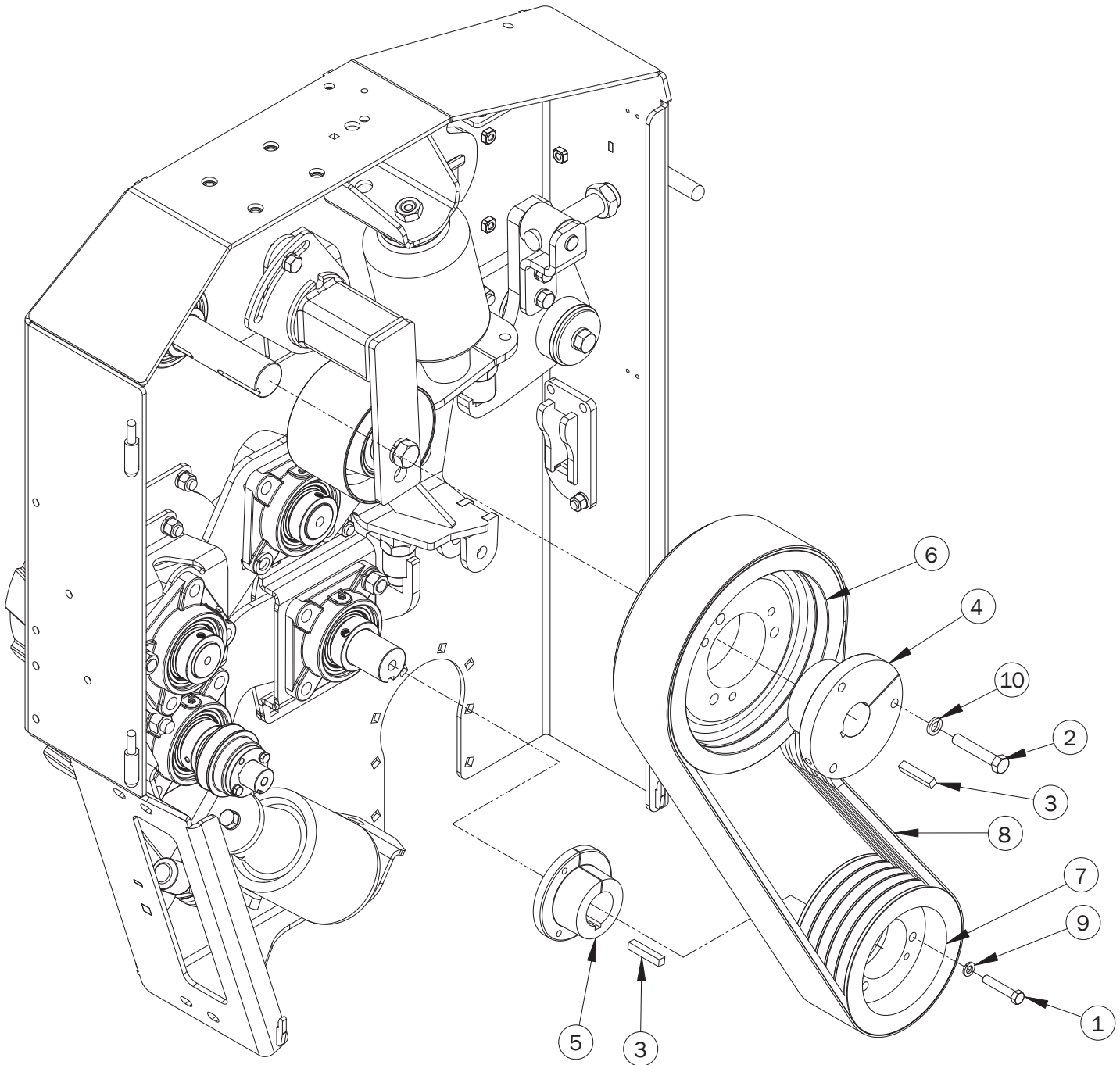
# Left Side - View B



## Left Side - View B

Item No.	Stock No.	Drawing No.	Description	Qty.
1	800048	800048	Bearing	1
2	800065	800065	5/8" x 2" Bolt, Carr.	4
3	800073	800073	7/16" x 1-1/4" Bolt, Carr.	3
4	800133	800133	1" Nut, Jam	2
5	800166	800166	1/2" x 1-1/4" Bolt, Standard	1
6	800197	800197	3/8" x 1-1/4" Bolt, Standard	1
7	800240	800240	7/16" Nut, Standard, NC	3
8	801820	801820	Pin, R, 1/8"	2
9	804155	804155	3/4" Nut, Jam, NF	1
10	804196	804196	1/2" Nut, Standard	4
11	804198	804198	5/8" Nut, Standard	12
12	804367	804367	1/2" Washer, Lock	5
13	804368	804368	5/8" Washer, Lock	12
14	806556	806556	7/16" Washer, Lock	3
15	806636	806636	3/8" Nut, Pinch Lock	1
16	807517	807517	5/8" x 1-3/4" Bolt, Carr.	8
17	807524	807524	1/2" SAE Washer, Flat	4
18	807556	807556	Nipple, Grease, 1/8 MPT	1
19	807558	807558	Nipple, Grease, 1/4 NF	1
20	807706	807706	1/2" x 1-3/4" Bolt, Carr.	4
21	808109	808109	Collar, Locking	1
22	808200	808200	Screw, Set, 3/8" x 3/8"	2
23	812463	812463	Bearing	1
24	812635	812635	Collar, Locking	1
25	803947	A66006	Gap Adjuster, L/H (See pages 54-55)	1
26	801481	MC221	Bushing, Pivot	1
27	803908	MC22W3	Rubber Bumper	1
28	803912	MC22W4L	Pivot Arm, Rubber Roll, L/H	1
29	803963r01	MC23W8	Height Adjuster Bracket	1
30	803994	MC248C	7mm Bushing 3/8" ID	1
31	804035r01	MC254A	Lock, Crank	2
32	804037	MC254B	Crank Arm Spacing Bushing	1
33	804049r01	MC25W4	Rubber Bumper Crank	1
34	812264	MC27W3	Main Frame, L/H	1
35	812357	MC287	Bracket, Roll Bearing	1
36	812360	MC28W6	Holder, Pivot Arm	1
37	807890	MC512A	Housing, 4 Bolt	1
38	813736	MC520	Housing, 4 Bolt	1
39	804160	MCSE38TR	Torque Wrench	1

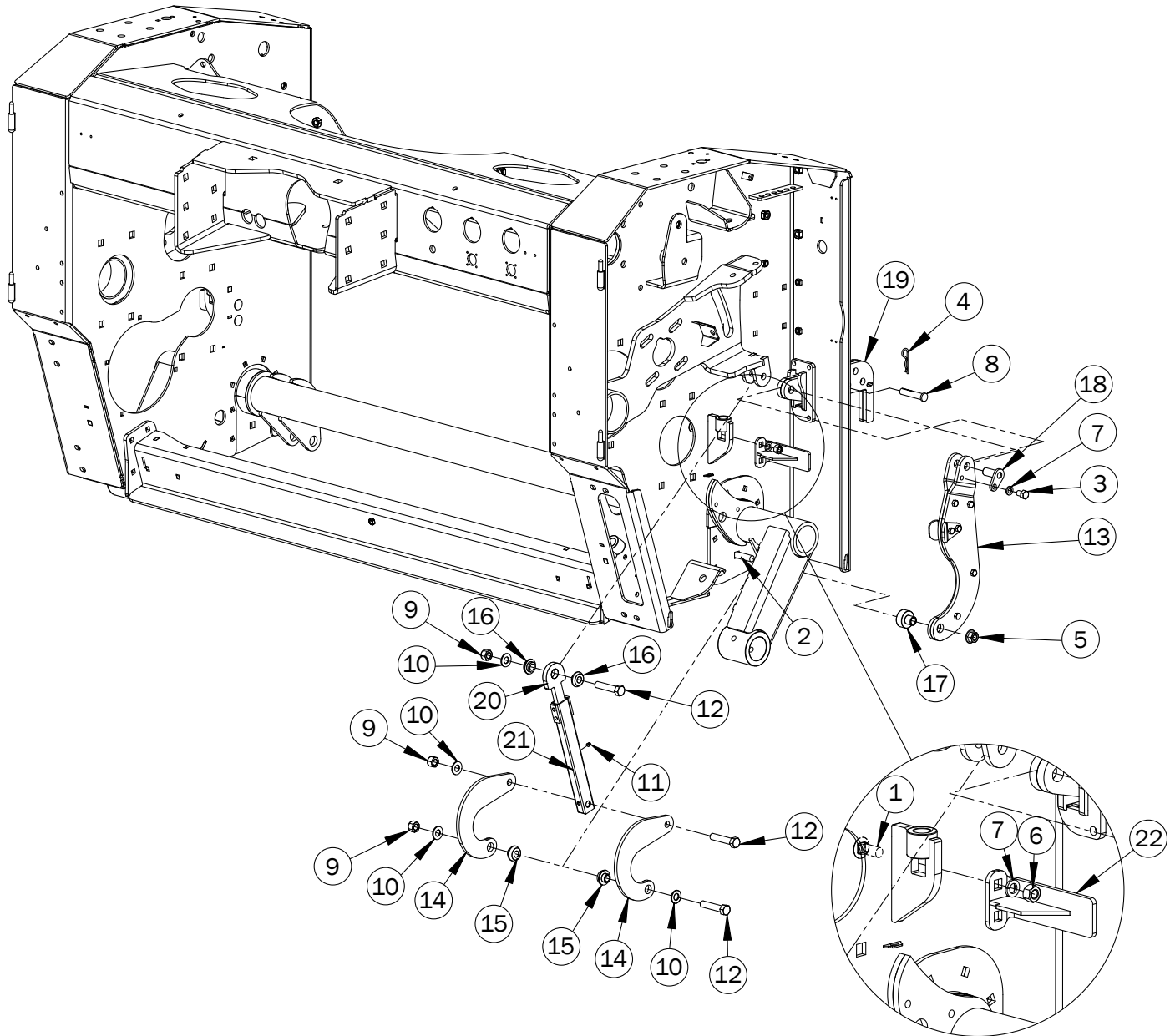
# Left Side - Drives



## Left Side - Drives

Item No.	Stock No.	Drawing No.	Description	Qty.
1	808340	BOS24085T	3/8" x 2" Bolt, Standard, Full Thread	3
2	808339	BOS32115T	1/2" x 2-3/4" Bolt, Standard, Full Thread	3
3	803662	KE2408	3/8" x 2" Key	2
4	801169	MC811S	Hub, E 1-3/4"	1
5	801177	MC816S	Hub, SF 1-3/4"	1
6	804234	MC824S	5-5V11.3 Pulley	1
7	804235	MC825S	5-5V7.5 Pulley	1
8	806943	MC837C	V-Belt, 5-5VX800 Banded	1
9	804366	WAL24	3/8" Washer, Lock	3
10	804367	WAL32	1/2" Washer, Lock	3

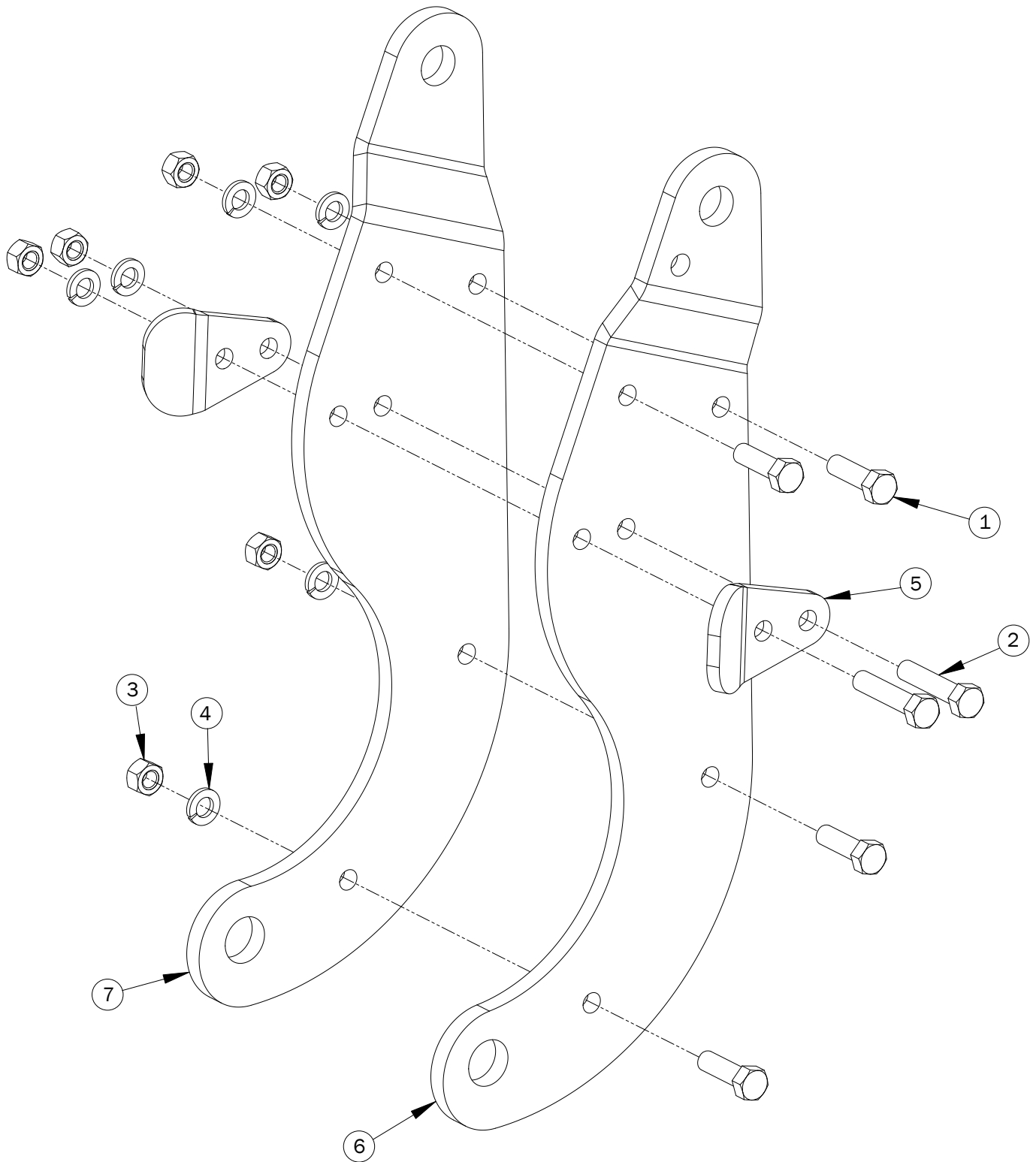
# Lift Bracket Assembly - Right & Left Sides



## Lift Bracket Assembly - Right & Left Sides

Item No.	Stock No.	Drawing No.	Description	Qty.
1	800055	800055	1/2" x 1-1/4" Bolt, Carr.	4
2	800066	800066	5/8" x 2-1/2" Bolt, Carr.	1
3	800173	800173	1/2" x 3/4" Bolt, Standard	1
4	801820	801820	Pin, R, 1/8"	1
5	804187	804187	Nut, Flange, Lock, Pinch, NC, 5/8"	1
6	804196	804196	1/2" Nut, Standard	4
7	804367	804367	1/2" Washer, Lock	5
8	807055	807055	Pin, Clevis	1
9	807521	807521	5/8" Nut, Pinch Lock	6
10	807525	807525	5/8" SAE Washer	8
11	807558	807558	Nipple, Grease 1/4" NF	2
12	813853	813853	5/8" x 3" Bolt, Standard, Gr. 8	6
13	803947	A66005	Arm, Height Adjuster (See pages 52-53)	1
14	803939	MC232	Bracket, Lift, Roll	4
15	803938r01	MC232M	Lift Bracket, Bushing	4
16	803941r01	MC233M	Lift Arm Bushing	4
17	803951	MC238C	Bushing, Spacer, Height Adjuster	1
18	803962	MC23W8A	Height Adjuster Arm Pin	1
19	803966r02	MC23W9	Height Adjuster Bar	1
20	810536	MC2681	Insert, Roll Lift Arm	2
21	811468	MC26W9	Tube, Roll Lift Arm	2
22	812278	MC27W7	Stop, Lift Arm	2

# Height Adjuster



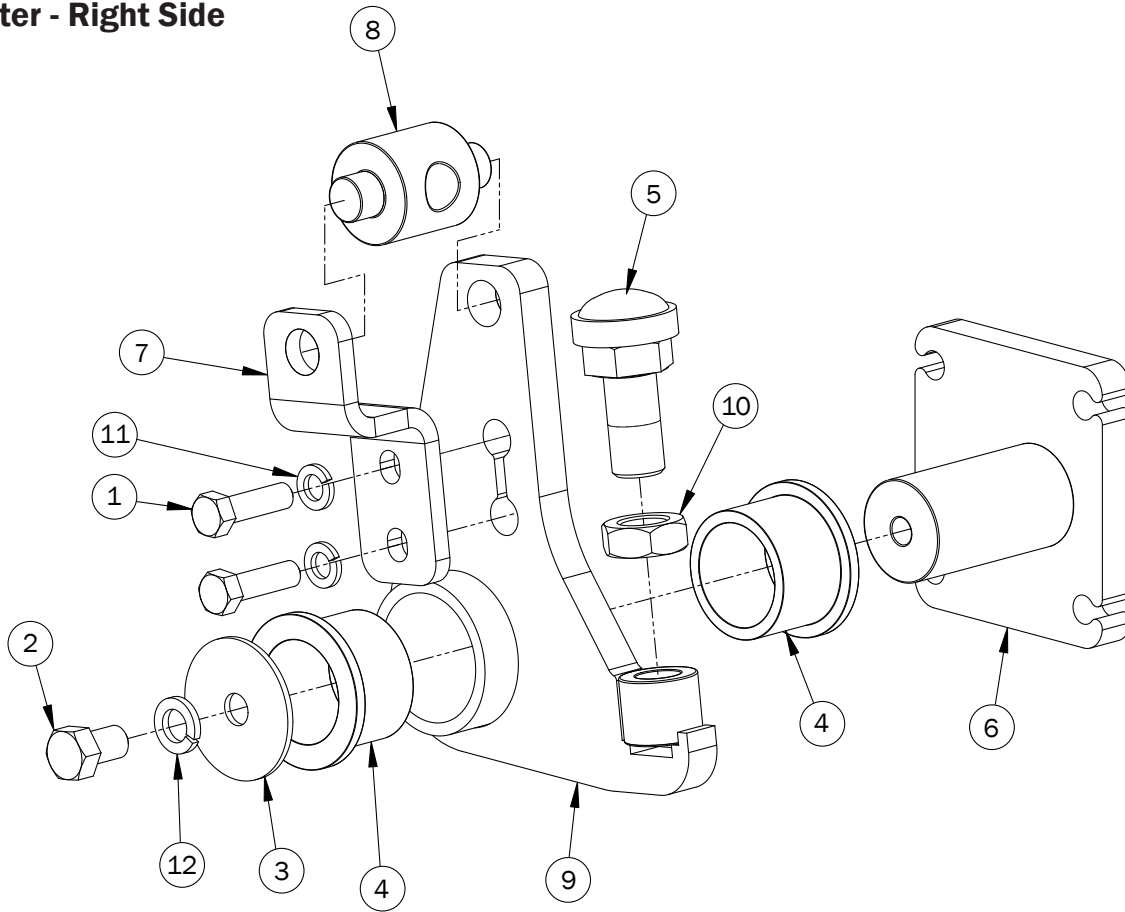


**Height Adjuster**

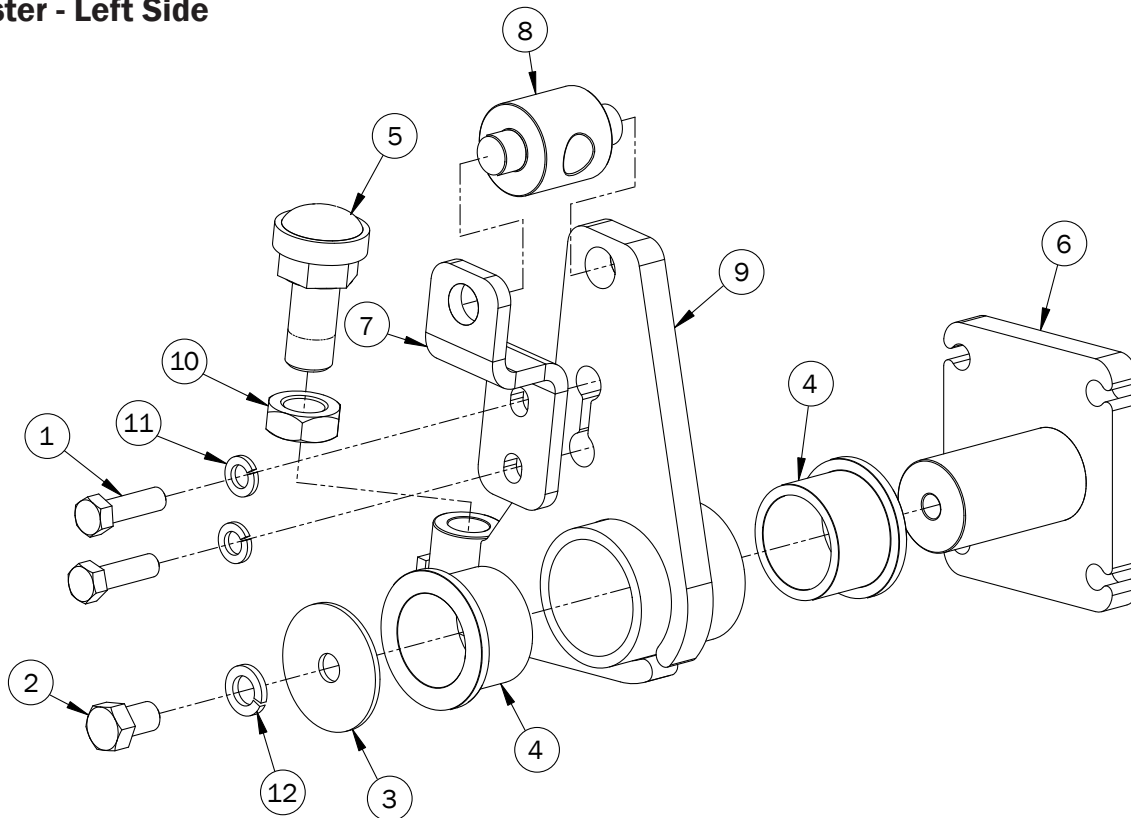
Item No.	Stock No.	Drawing No.	Description	Qty.
1	800197	800197	3/8" x 1-1/4" Bolt, Standard	4
2	800198	800198	3/8" x 1-3/4" Bolt, Standard	2
3	800236	800236	3/8" Nut, Standard	6
4	804366	804366	3/8" Washer, Lock, Gr. 8	6
5	803950	MC238A	Guide	2
6	812254	MC268L	Arm, Height Adjuster, L/H	1
7	812255	MC268R	Arm, Height Adjuster, R/H	1

# Gap Adjusters

## Gap Adjuster - Right Side



## Gap Adjuster - Left Side



## Gap Adjusters

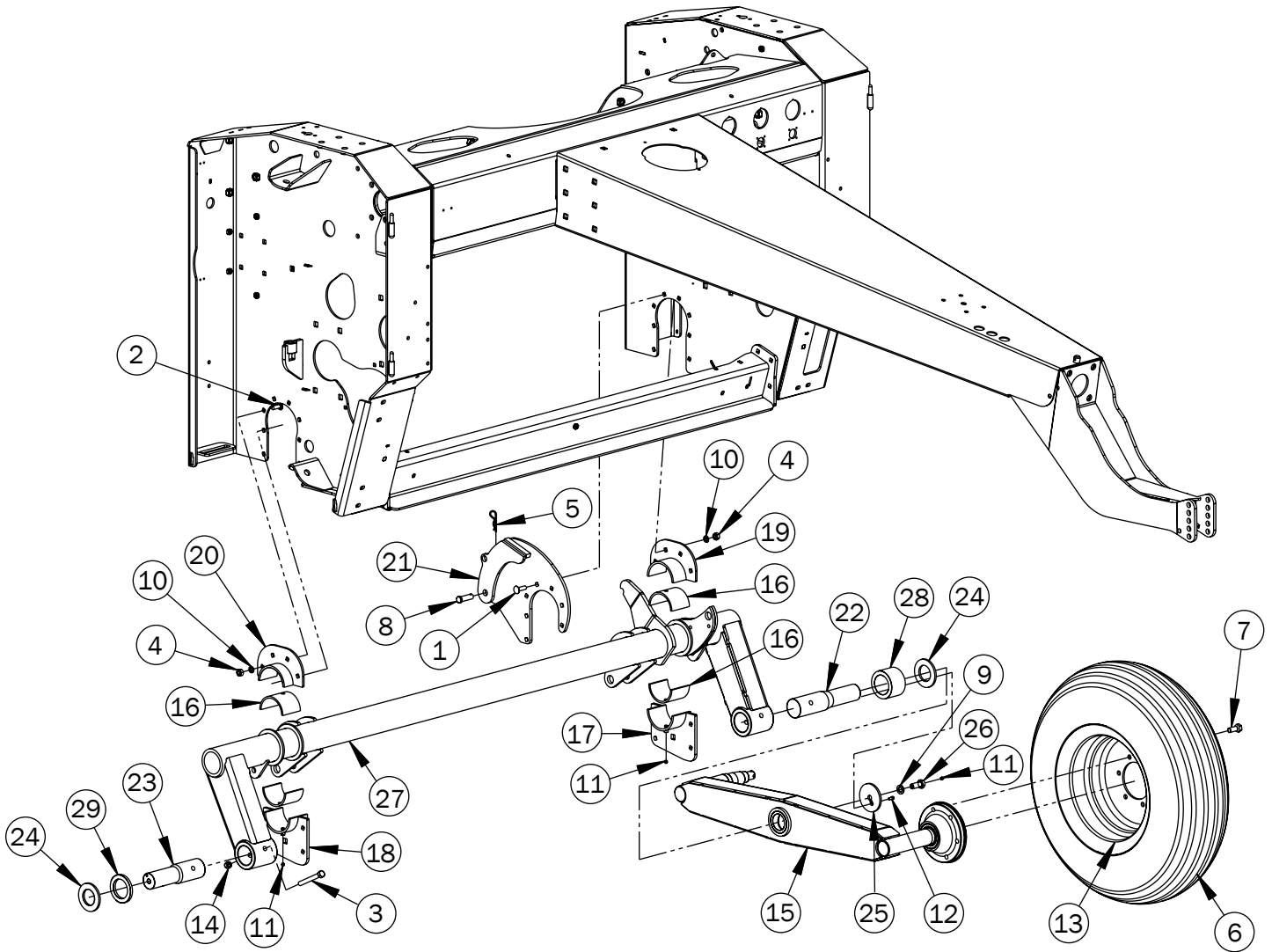
### Gap Adjuster - Right Side

Item No.	Stock No.	Drawing No.	Description	Qty.
1	800167	BOS32075	1/2" x 1-3/4" Bolt, Standard	2
2	800210	BOS40045	5/8" x 1" Bolt, Standard	1
3	803884	MC225A	2-3/4" Washer	1
4	801518	MC228A	Rubber Bumper Pivot, Bushing	2
5	803908	MC22W3	Rubber Bumper	1
6	803928	MC22W9	Pivot, Rubber Bumper	1
7	810416	MC237C	Holder, Swivel Nut	1
8	810418	MC237D	Swivel Nut, Rubber Bumper Adjuster	1
9	810412	MC23W7R	Pivot, Rubber Bumper, R/H	1
10	800133	NUTSJ64	1" Nut, Jam	1
11	804367	WAL32	1/2" Washer, Lock	2
12	804368	WAL40	5/8" Washer, Lock	1

### Gap Adjuster - Left Side

Item No.	Stock No.	Drawing No.	Description	Qty.
1	800167	BOS32075	1/2" x 1-3/4" Bolt, Standard	2
2	800210	BOS40045	5/8" x 1" Bolt, Standard	1
3	803884	MC225A	2-3/4" Washer	1
4	801518	MC228A	Rubber Bumper Pivot, Bushing	2
5	803908	MC22W3	Rubber Bumper	1
6	803928	MC22W9	Pivot, Rubber Bumper	1
7	810416	MC237C	Holder, Swivel Nut	1
8	810418	MC237D	Swivel Nut, Rubber Bumper Adjuster	1
9	810410	MC23W7L	Pivot, Rubber Bumper, L/H	1
10	800133	NUTSJ64	1" Nut, Jam	1
11	804367	WAL32	1/2" Washer, Lock	2
12	804368	WAL40	5/8" Washer, Lock	1

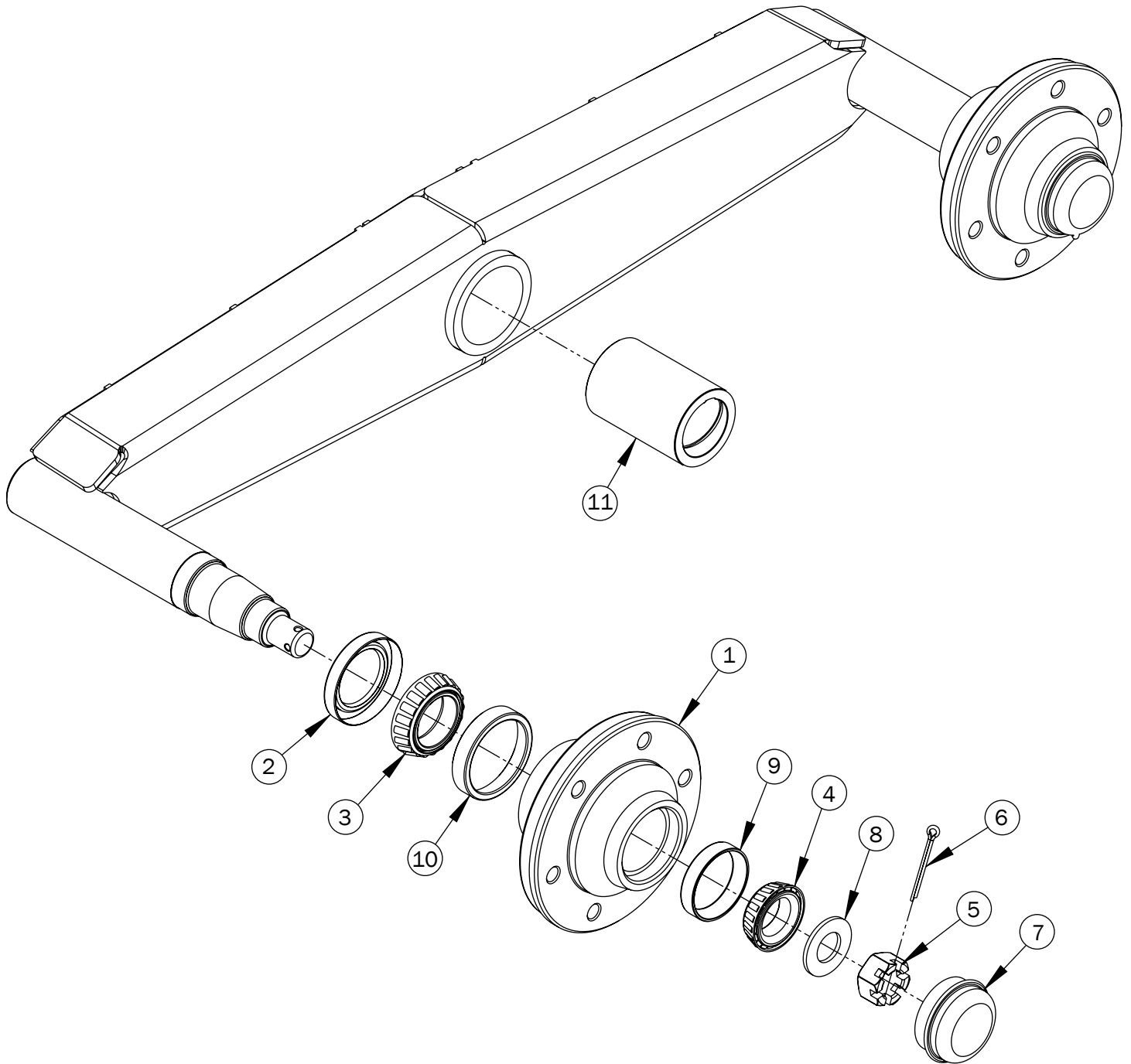
# Axle Assembly



**Axle Assembly**

Item No.	Stock No.	Drawing No.	Description	Qty.
1	800072	800072	7/16" x 1-1/2" Bolt, Carr.	7
2	800073	800073	7/16" x 1-1/4" Bolt, Carr.	9
3	800176	800176	1/2" x 4" Bolt, Standard	2
4	800240	800240	7/16" Nut, Standard	16
5	801820	801820	Pin, Hitch, R, 1/8" x 2-5/8"	1
6	804067	804067	Wheel (Tire, Rim, and Valve)	4
7	804078	804078	Wheel Bolt, 9/16" x 1-3/4"	24
8	804111	804111	Pin, Clevis, 5/8" x 2"	1
9	804368	804368	5/8" Washer, Lock	2
10	806556	806556	7/16" Washer, Lock	16
11	807558	807558	Nipple, Grease 1/4" NF	4
12	807757	807757	1/4" x 1/2" Bolt, Round Socket Head, Gr. 8	2
13	808115	808115	Rim	4
14	810649	810649	1/2" Nut, Standard, Lock, Pinch	2
15	804180r01	A66011	Walking Beam Assembly	2
16	801471r01	MC217	Axle Bushing	4
17	803851r01	MC21W4L	Axle Support, L/H, Bottom	1
18	803853r01	MC21W4R	Axle Support, R/H, Bottom	1
19	803865r01	MC21W7L	Axle Seat, L/H, Top	1
20	803867r01	MC21W7R	Axle Seat, R/H, Top	1
21	803871	MC21W9	Travel Safety Bracket	1
22	810407	MC230L	Pivot Shaft, Walking Beam, Axle, L/H	1
23	810408	MC230R	Pivot Shaft, Walking Beam, Axle, R/H	1
24	810406	MC234	Washer, Pivot Shaft, Walking Beam, Axle	2
25	803946r01	MC237	Washer, Walking Beam	2
26	807000	MC237A	Axle Grease Bolt	2
27	810398	MC23W2	Axle	1
28	810420	MC240L	Spacer, Walking Beam, Axle, L/H	1
29	810422	MC240R	Spacer, Walking Beam, Axle, R/H	1

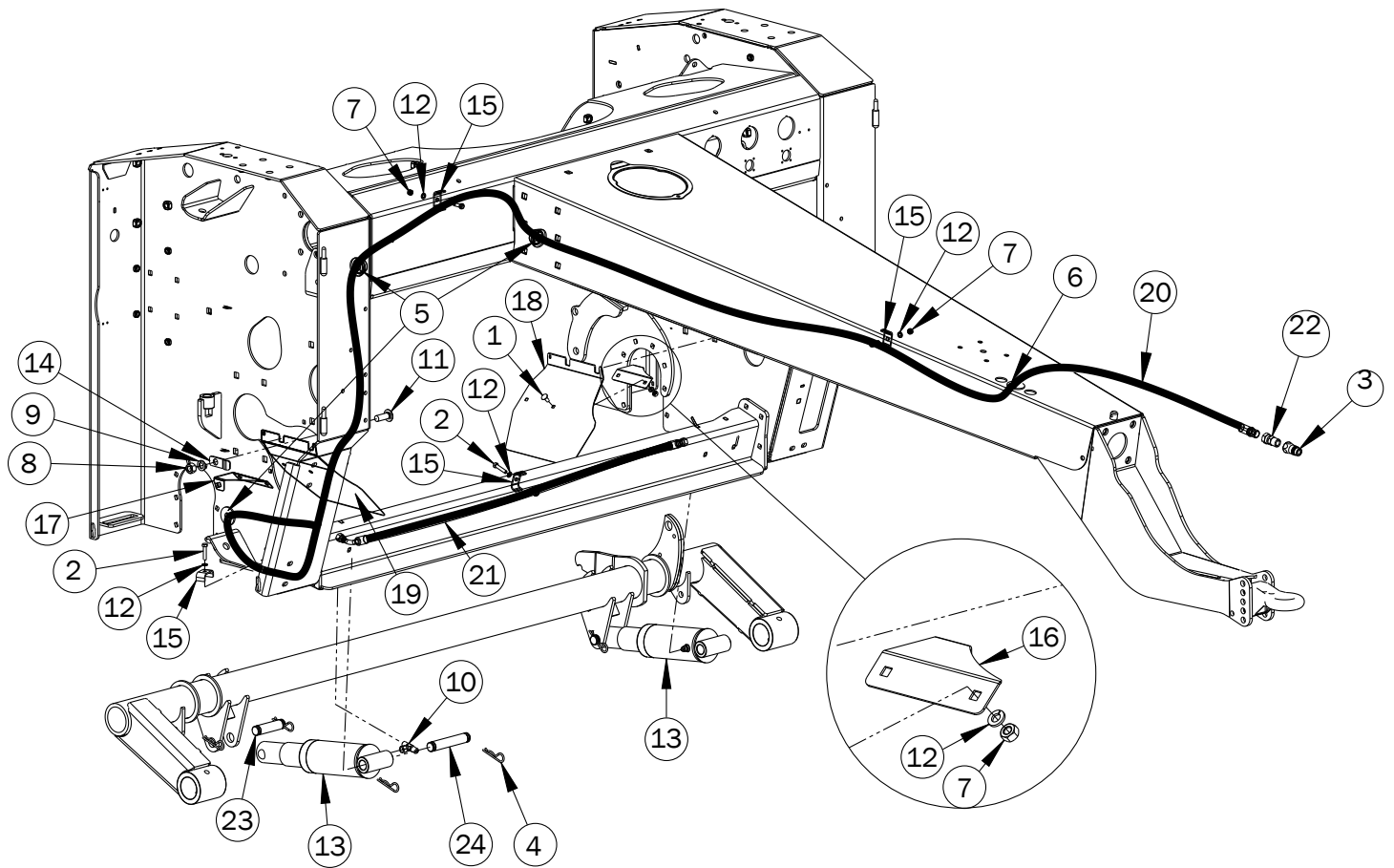
# Walking Beam Assembly



**Walking Beam Assembly**

Item No.	Stock No.	Drawing No.	Description	Qty.
1	804069	804069	Wheel Hub/Race	2
2	804070	804070	Oil Seal	2
3	804071	804071	Bearing	2
4	804073	804073	Bearing	2
5	804075	804075	Nut	2
6	804076	804076	Cotter Pin	2
7	804077	804077	Hub Cap	2
8	804080	804080	Washer	2
9	807821	MC556	Race	2
10	807822	MC554	Race	2
11	801538r02	MC235	Bushing, Walking Beam	1
12	803959	MC23W5	Walking Beam	1

# Hydraulics

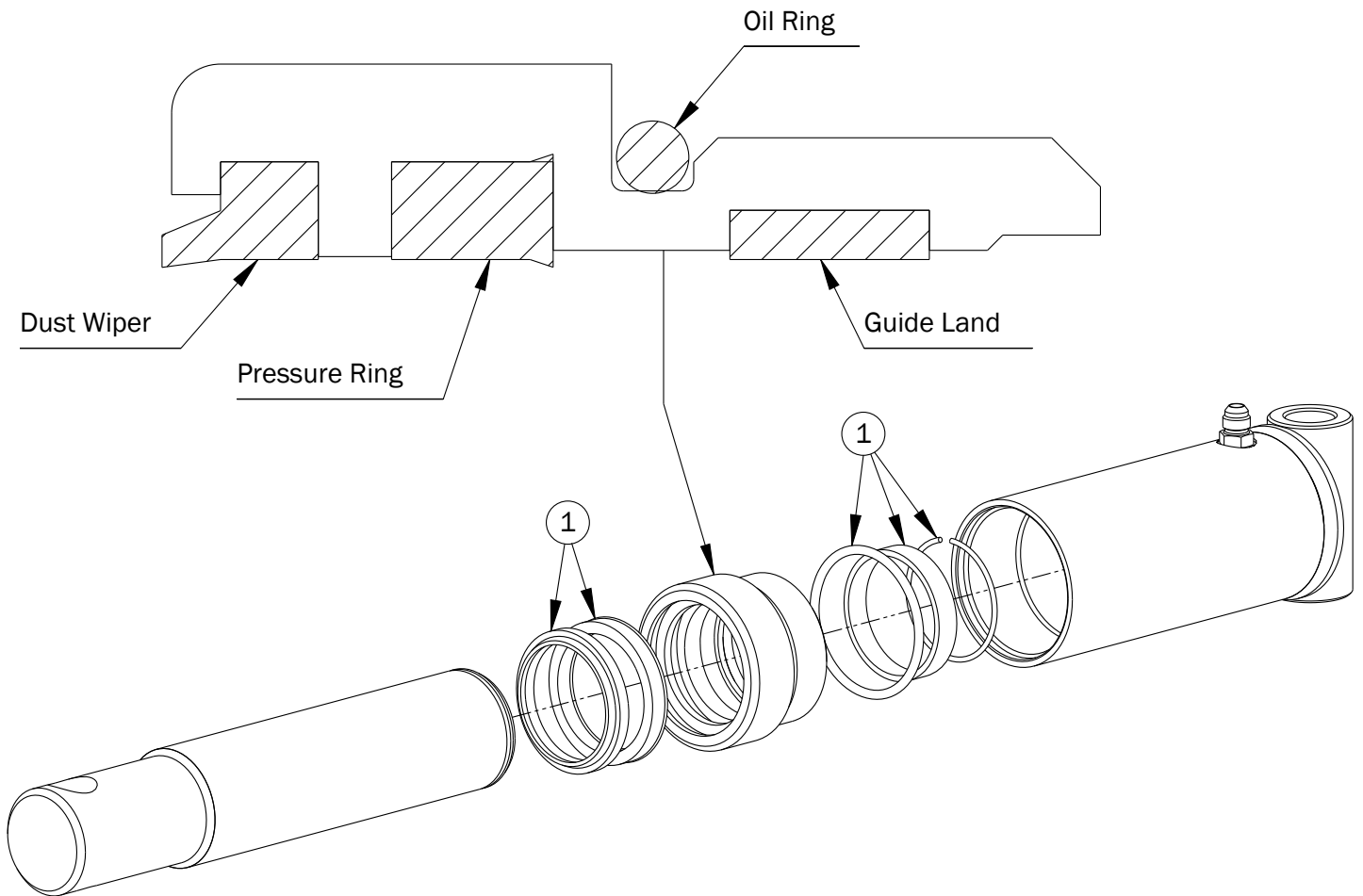




## Hydraulics

Item No.	Stock No.	Drawing No.	Description	Qty.
1	800062	800062	5/16" x 3/4" Bolt, Carr.	4
2	800205	800205	5/16" x 1-1/2" Bolt, Carr.	2
3	804099	804099	Quick Coupler	1
4	804103	804103	Pin, Hitch, R, 5/32" x 2-15/16"	8
5	804105	804105	Grommet	3
6	804106	804106	Grommet	1
7	804194	804194	5/16" Nut, Standard	6
8	804198	804198	5/8" Nut, Standard (See pages 38-39, Item 11)	-
9	804368	804368	5/8" Washer, Lock (See pages 38-39, Item 13)	-
10	807452	807452	Tee # 6 JIC	1
11	807517	807517	5/8" x 1-3/4" Bolt, Carr. (See pages 38-39, Item 14)	-
12	807528	807528	5/16" Washer, Lock	8
13	812244	A66020	Cylinder Assembly (See pages 62-63)	2
14	803795	MC211	Clamp, Hose	1
15	803829	MC215F	Hydraulic Hose Clamp	4
16	810432	MC2226L	Brace, Shield, Cylinder, L/H	1
17	810435	MC2226R	Brace, Shield, Cylinder, R/H	1
18	812344	MC285L	Shield, Cylinder, L/H	1
19	812348	MC285R	Shield, Cylinder, R/H	1
20	807449	MC712A	Hydraulic Hose - Long	1
21	807451	MC713A	Hydraulic Hose - Short	1
22	807705	MC718	Flow Restrictor	1
23	804101	MC720	Cylinder Pin, 3-1/4"	2
24	804102	MC721	Cylinder Pin, 4-3/4"	2

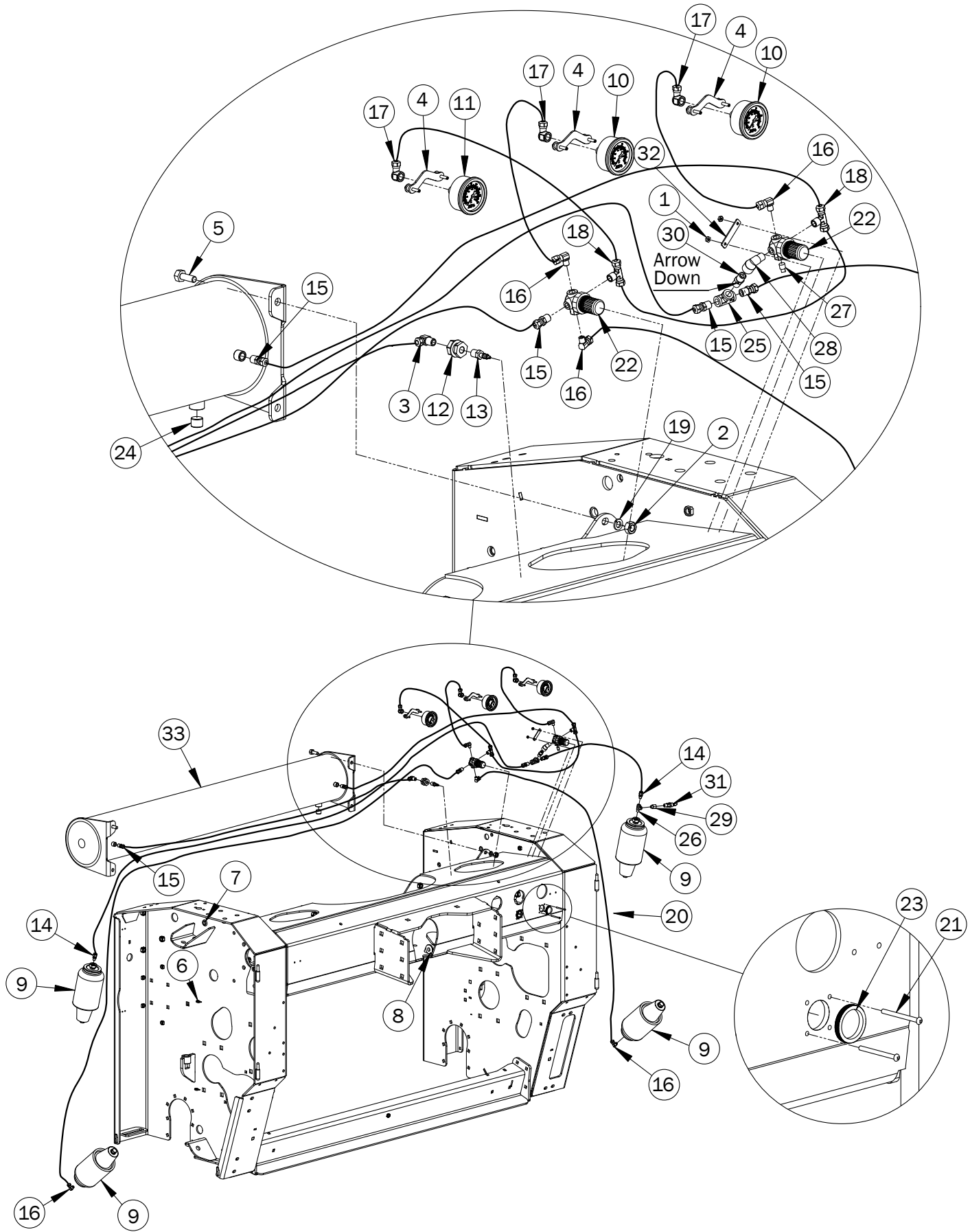
# Cylinder Assembly



**Cylinder Assembly**

Item No.	Stock No.	Drawing No.	Description	Qty.
1	812683	812683	Seal Kit, Cylinder	1

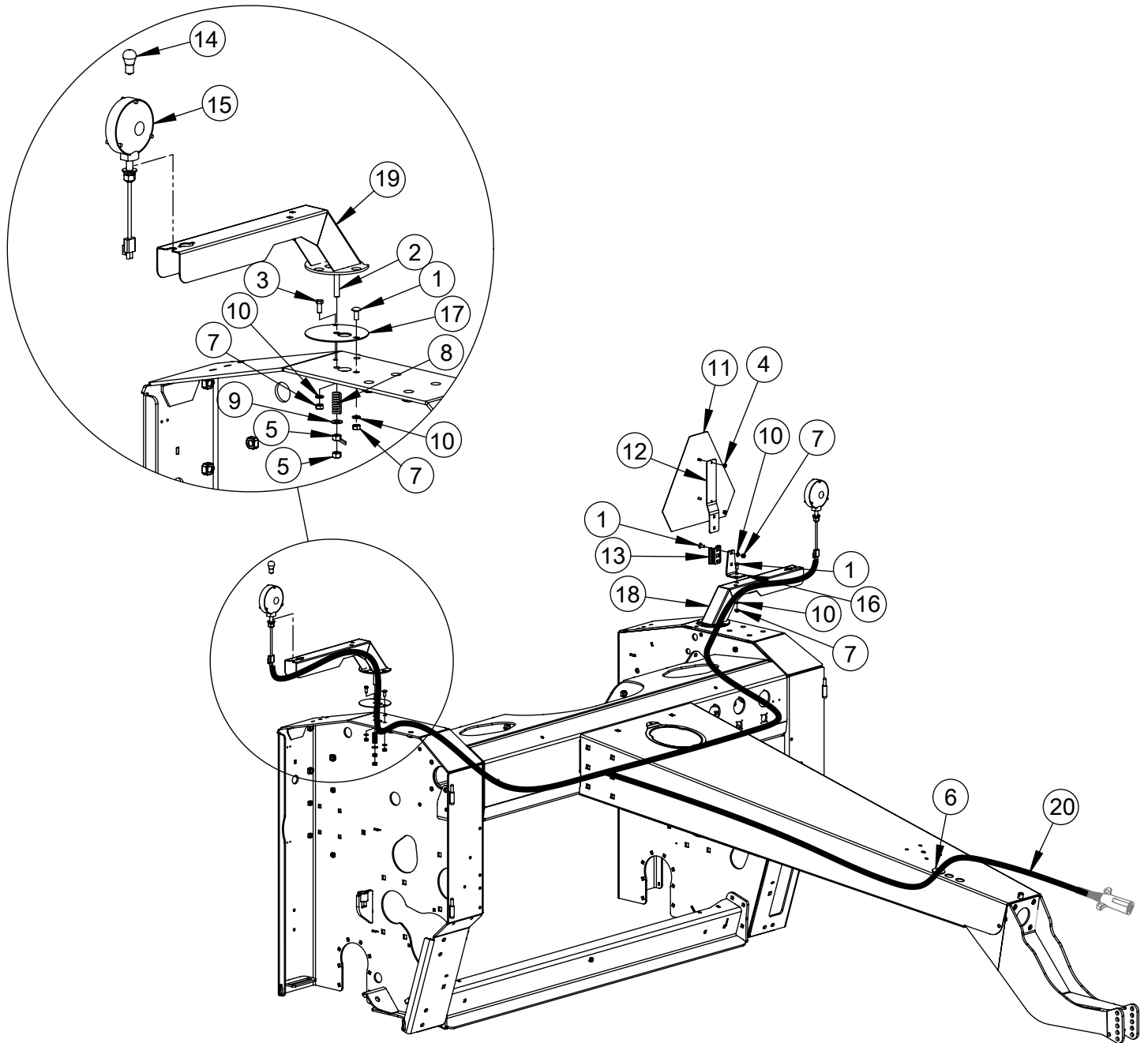
# Air System



## Air System

Item No.	Stock No.	Drawing No.	Description	Qty.
1	800143	800143	8-32 Nut, Machine	4
2	800240	800240	7/16" Nut, Standard	4
3	800755	800755	1/4" Compression x 1/4" Male Pipe Thread Elbow	1
4	801714	801714	Clamp, U, Gauge	3
5	803625	803625	7/16" x 1-1/4" Bolt, Standard	4
6	804107	804107	Grommet	4
7	804108	804108	Grommet	8
8	804109	804109	Grommet	9
9	804143	804143	Air Bag	4
10	804146	804146	Gauge, Roll Pressure	2
11	804147	804147	Gauge, Air Tank Pressure	1
12	804148	804148	Bulkhead Fitting	1
13	804149	804149	Shrader Valve	1
14	804150	804150	Straight Fitting, 1/8" x 1/4"	2
15	804151	804151	Straight Fitting, 1/4" x 1/4"	5
16	804152	804152	1/8" Male x 1/4" Hose End Elbow	5
17	804153	804153	1/4" Female End x 1/4" Hose End Elbow	3
18	804154	804154	Tee	2
19	806556	806556	7/16" Washer, Lock	4
20	808623	808623	Green Tubing 1/4" (For whole machine.)	35.5ft
21	810773	810773	8-32 x 2" Screw	4
22	812301	812301	Regulator, Air, Adjustable Valve, 4 Ports (Norgen)	2
23	812302	812302	Nut, Air Regulator (Norgen)	2
24	812804	812804	Plug, Counter Sunk, Black, 0.500 in.	1
25	814001	814001	Tee, Brass Forged, 0.250 in. FPT	1
26	814002	814002	Tee, Brass Forged, 0.125 in. FPT x MPT x FPT	1
27	814003	814003	Plug, Square Head, Brass, 0.125 in.	1
28	814004	814004	Elbow, Brass Forged, 0.250 in. FPT x MPT, 90 Deg.	1
29	814005	814005	Adapter, Brass, 0.250 in. FPT x 0.125 in. MPT	1
30	814006	814006	Valve, Brass, Check	1
31	814007	814007	Valve, Brass, Relief	1
32	810772	MC213	Clamp, Air Regulator	2
33	810494	MC26W3	Air Tank	1

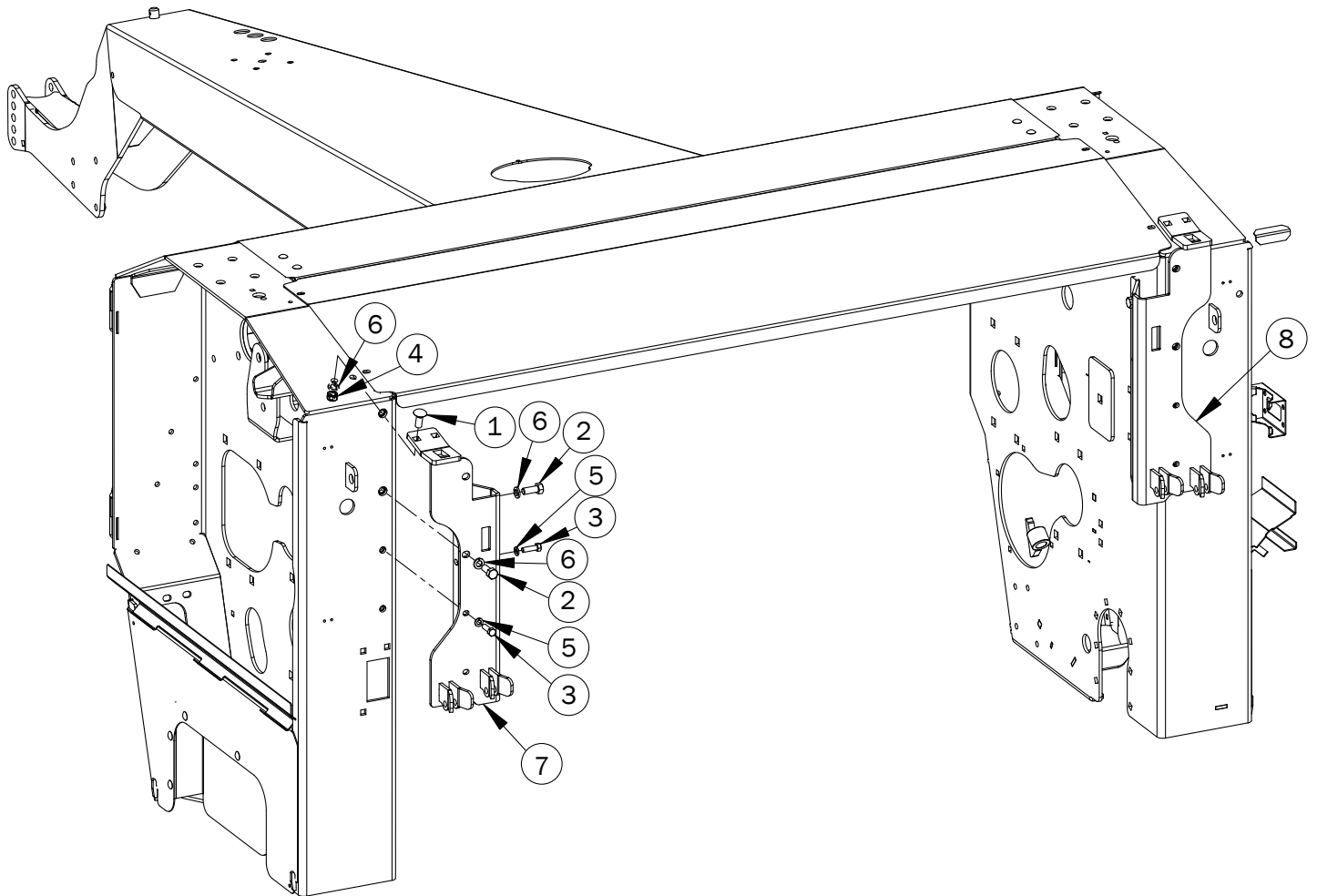
# Lights & Emblem Assembly



## Lights & Emblem Assembly

Item No.	Stock No.	Drawing No.	Description	Qty.
1	800062	800062	5/16" x 3/4" Bolt, Carr.	6
2	800200	800200	3/8" x 2-1/2" Bolt, Standard	2
3	800209	800209	5/16" x 3/4" Bolt, Standard	2
4	800233	800233	1/4" Nut, Standard	2
5	800236	800236	3/8" Nut, Standard	4
6	804106	804106	Grommet	1
7	804194	804194	5/16" Nut, Standard	8
8	804302	804302	Compression Spring	2
9	807523	807523	3/8" SAE Washer, Flat	2
10	807528	807528	5/16" Washer, Lock	8
11	807712	807712	SMV Emblem Triangle	1
12	807713	807713	SMV Emblem Bracket, 2" x 11"	1
13	807919	807919	SMV Emblem Bracket, 2" x 2-1/2"	1
14	808267	808267	Bulb	2
15	814753	814753	Lamp Light (With Plug Complete)	2
16	807802	MC2514	Bracket - SMV Emblem	1
17	804032	MC251A	Light Bracket, Pivot Wear Plate	2
18	804044r02	MC25W1L	Light Bracket, L/H	1
19	808381	MC25W1R	Light Bracket, R/H	1
20	801732	MC745	Wire Harness (With plug-ins complete.)	1

# Attachment Brackets

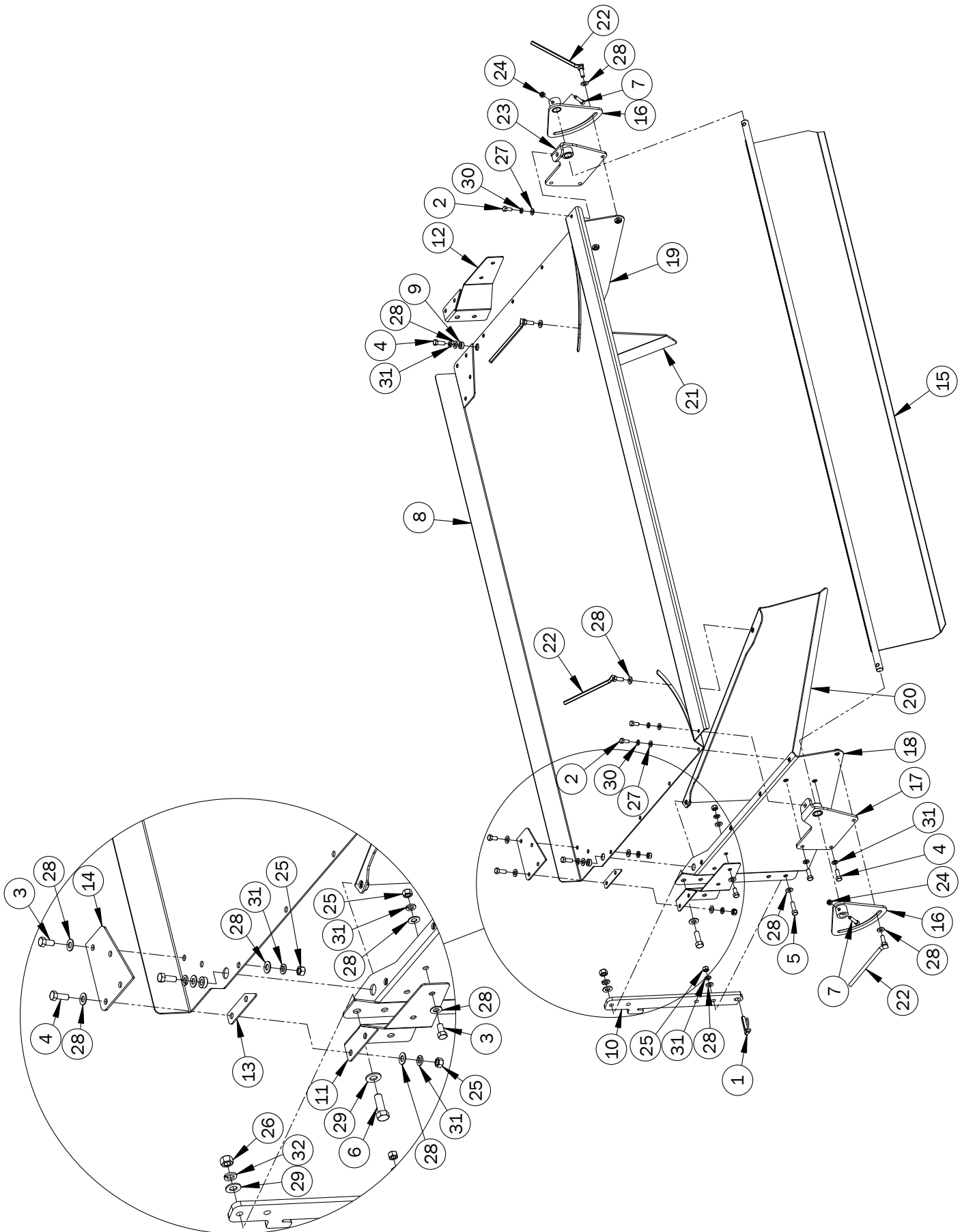




**Attachment Brackets**

Item No.	Stock No.	Drawing No.	Description	Qty.
1	800055	800055	1/2"X 1-1/4" Bolt, Carr.	4
2	800166	800166	1/2" x 1-1/4" Bolt, Standard	6
3	800197	800197	3/8" x 1-1/4" Bolt, Standard	8
4	804196	804196	1/2" Nut, Standard	4
5	804366	804366	3/8" Washer, Lock, Gr. 8	8
6	804367	804367	1/2" Washer, Lock	10
7	812249	MC27W6L	Quick Attach Bracket, L/H	1
8	812253	MC27W6R	Quick Attach Bracket, R/H	1

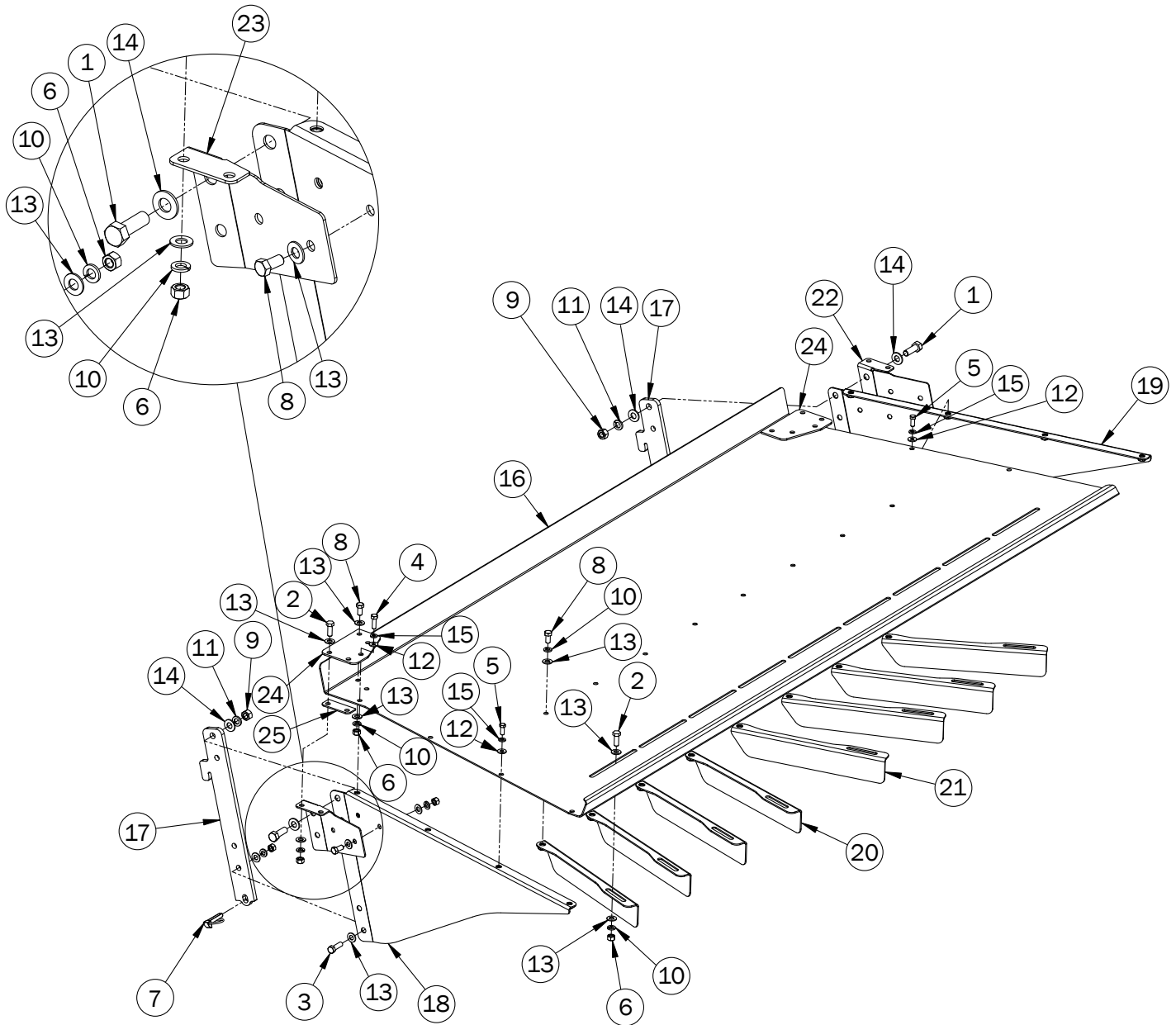
# Windrower Attachment Kit K101



## Windrower Attachment Kit K101

Item No.	Stock No.	Drawing No.	Description	Qty.
1	801818	801818	Pin, Lynch, 7/16"	2
2	800209	BOS20035	5/16" x 3/4" Bolt, Standard	10
3	803623	BOS24035	3/8" x 3/4" Bolt, Standard	8
4	800195	BOS24045	3/8" x 1" Bolt, Standard	10
5	800197	BOS24055	3/8" x 1-1/4" Bolt, Standard	6
6	800165	BOS32065	1/2" x 1-1/2" Bolt, Standard	2
7	800225	BOSH20065	5/16" x 1-1/2" Cap Screw, Socket Head	2
8	803998	MC248	Top, Windrower	1
9	803994	MC248C	7mm Bushing 3/8" ID	2
10	803996	MC248D	Hook, Attachment	2
11	810636	MC248KL	Brace, Windrower, L/H	1
12	810633	MC248KR	Brace, Windrower, R/H	1
13	810621	MC248M	Spacer, Windrower,	2
14	810622	MC248N	Plate, Reinforcement, Windrower	2
15	804000	MC24W1	Chute Adjuster Plate	1
16	804002	MC24W2	Chute Adjuster Slide	2
17	804026	MC24W8	Chute Adjuster Bracket, L/H	1
18	804016	MC24W8A	Support, Windrower, L/H	1
19	804018	MC24W8B	Support, Windrower, R/H	1
20	804020	MC24W8CL	Windrower Width Adjuster, L/H	1
21	804022	MC24W8CR	Windrower Width Adjuster, R/H	1
22	804025	MC24W8F	Wing Bolt, Windrower	4
23	804028	MC24W9	Chute Adjuster Bracket, R/H	1
24	804194	NUTS20	5/16" Nut, Standard	2
25	800236	NUTS24	3/8" Nut, Standard	18
26	804196	NUTS32	1/2" Nut, Standard	2
27	807522	WAF20M	5/16" SAE Washer, Flat	10
28	807523	WAF24M	3/8" SAE Washer, Flat	42
29	807524	WAF32M	1/2" SAE Washer, Flat	4
30	807528	WAL20	5/16" Washer, Lock	10
31	804366	WAL24	3/8" Washer, Lock	24
32	804367	WAL32	1/2" Washer, Lock	2

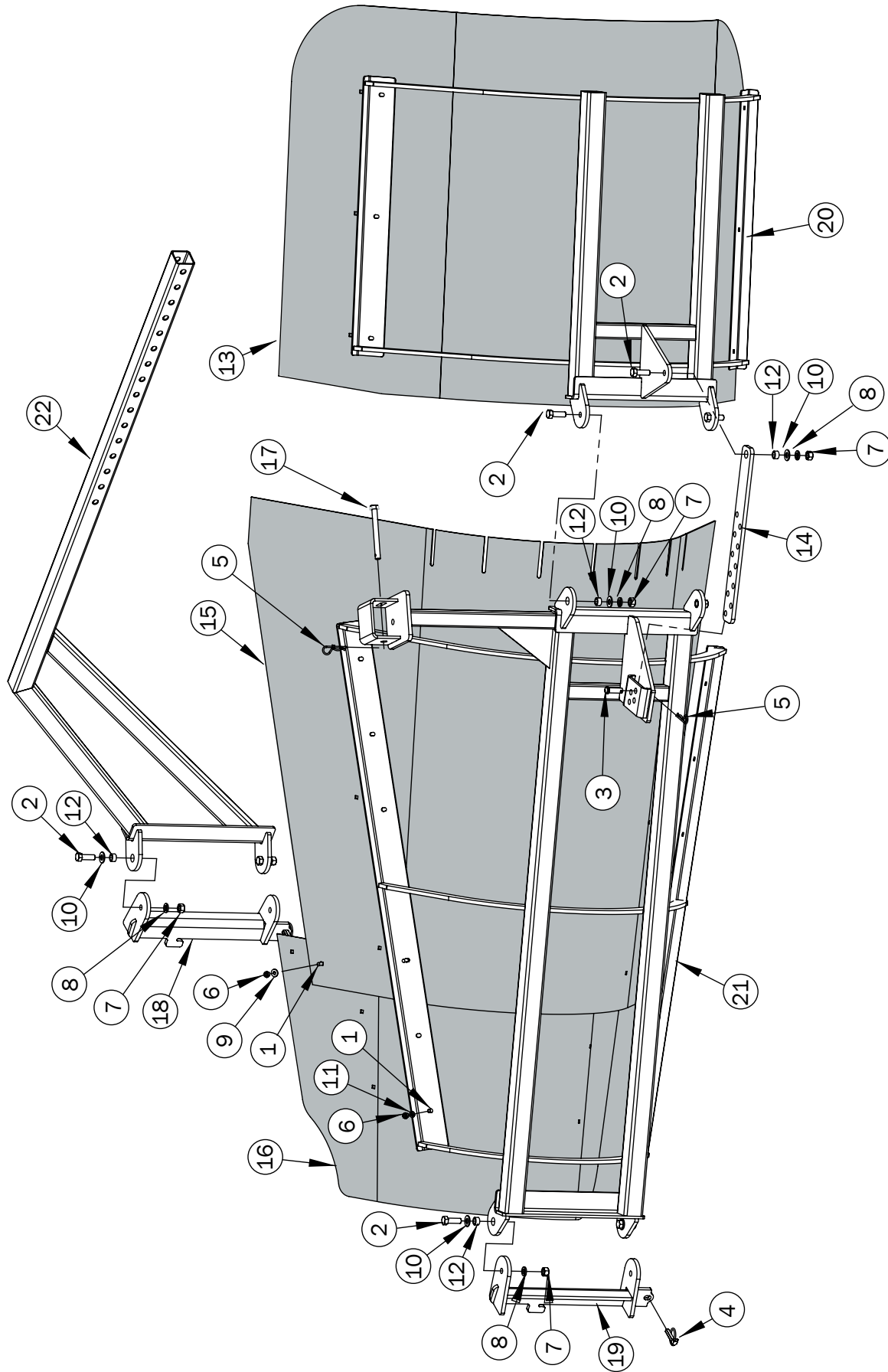
# Spreader, Adjustable Attachment Kit K102



## Spreader, Adjustable Attachment Kit K102

Item No.	Stock No.	Drawing No.	Description	Qty.
1	800165	800165	1/2" x 1-1/2" Bolt, Standard	2
2	800195	800195	3/8" x 1" Bolt, Standard	12
3	800197	800197	3/8" x 1-1/4" Bolt, Standard	6
4	800204	800204	5/16" x 1" Bolt, Standard	2
5	800209	800209	5/16" x 3/4" Bolt, Standard	6
6	800236	800236	3/8" Nut, Standard	26
7	801818	801818	7/16" Lynch Pin	2
8	803623	803623	3/8" x 3/4" Bolt, Standard	16
9	804196	804196	1/2" Nut, Standard	2
10	804366	804366	3/8" Washer, Lock, Spring, Gr. 8	34
11	804367	804367	1/2" Washer, Lock, Spring, Gr. 8	2
12	807522	807522	5/16" SAE Washer, Flat	8
13	807523	807523	3/8" SAE Washer, Flat	60
14	807524	807524	1/2" SAE Washer, Flat	4
15	807528	807528	5/16" Washer, Lock, Spring, Gr. 8	8
16	807729	MC247C	Spreader Top Plate	1
17	803996	MC248D	Attachment Hook	2
18	804010	MC24W7A	Top Support, L/H, Spreader	1
19	804012	MC24W7B	Top Support, R/H, Spreader	1
20	807728	MC24W7D	Fin - Spreader Adjustable, L/H	4
21	807726	MC24W7E	Fin - Spreader Adjustable, R/H	4
22	813950	MC271	Brace, Spreader, R/H	1
23	813953	MC272	Brace, Spreader, L/H	1
24	813955	MC278	Plate, Reinforcement, Spreader	2
25	813957	MC279	Spacer, Spreader	2

# Moldboard Attachment Kit K105

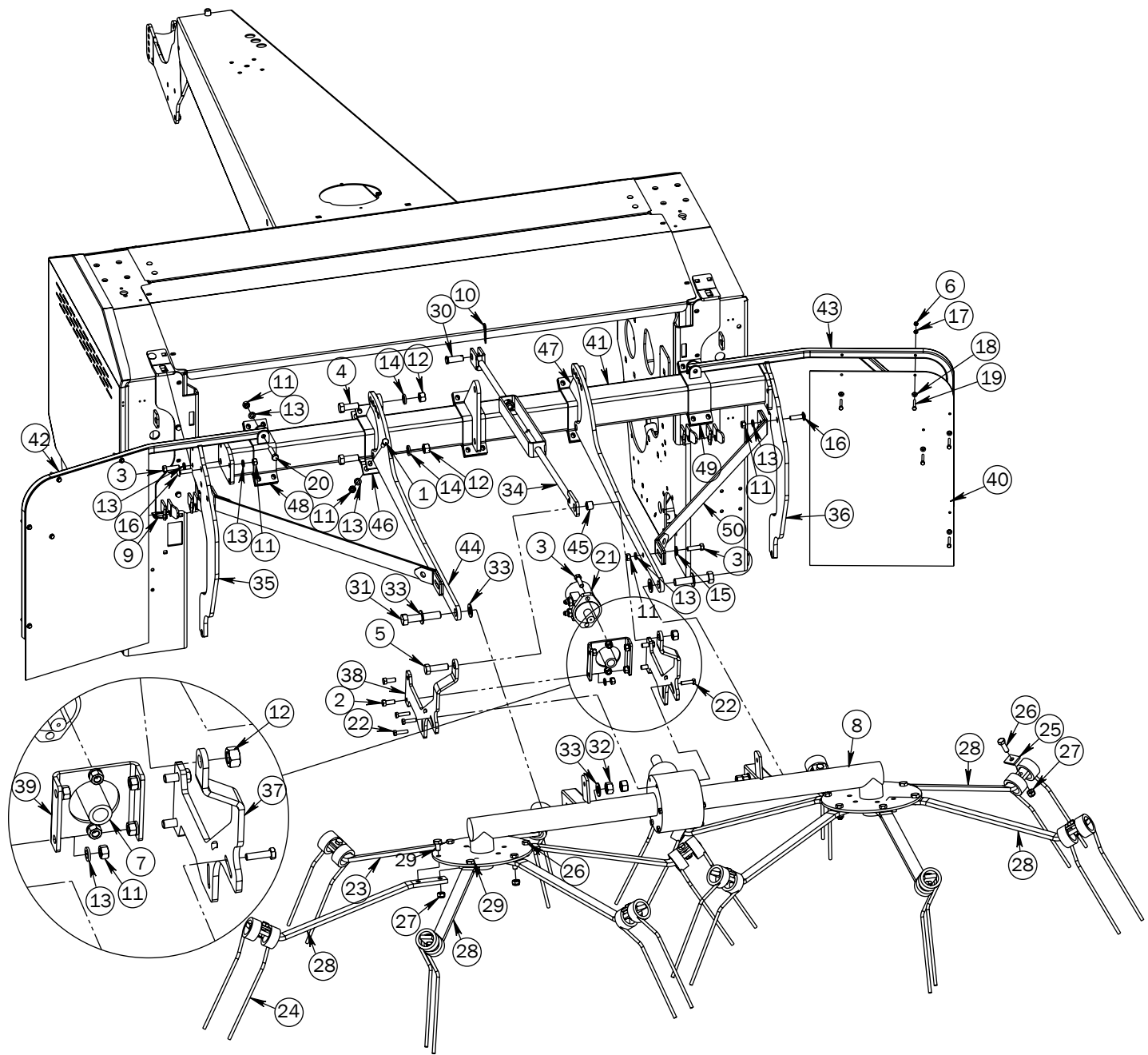


## Moldboard Attachment Kit K105

Item No.	Stock No.	Drawing No.	Description	Qty.
1	800062	800062	5/16" x 3/4" Bolt, Carr.	18
2	800165	800165	1/2" x 1-1/2" Bolt, Standard	7
3	801081	801081	Pin, Clevis, 1/2" x 1-3/4"	1
4	801818	801818	Pin, Lynch, 7/16"	2
5	801820	801820	Pin, R, 1/8"	2
6	804194	804194	5/16" Nut, Standard	18
7	804196	804196	1/2" Nut, Standard	7
8	804367	804367	1/2" Washer, Lock	7
9	807522	807522	5/16" SAE Washer, Flat	2
10	807524	807524	1/2" SAE Washer, Flat	7
11	807528	807528	5/16" Washer, Lock	16
12	803676	MB123	Moldboard Hinge Bushing	7
13	808547	MB125	Plastic Moldboard Extension	1
14	803692	MB126	Extension Angle Adjuster Bar	1
15	808546	MB127	Plastic Moldboard	1
16	808175	MB128	Plastic Moldboard	1
17	814714	MB129	Pin, Bolt, 1/2" x 4-5/8"	1
18	803696	MB12W1	Moldboard Quick Attach Hook, R/H	1
19	803694	MB12W2	Moldboard Quick Attach Hook, L/H	1
20	808566	MB12W7	Moldboard Extension Frame	1
21	810581	MB13W1	Main Frame, Moldboard	1
22	810584	MB13W2	Arm, Adjuster, Moldboard	1

# Tedder Attachment Kit K104

Item No.	Stock No.	Drawing No.	Description	Qty.
1	800165	800165	1/2" x 1-1/2" Bolt, Standard	20
2	800166	800166	1/2" x 1-1/4" Bolt, Standard	4
3	800167	800167	1/2" x 1-3/4" Bolt, Standard	8
4	800190	800190	3/4" x 2" Bolt, Standard	4
5	800191	800191	3/4" x 2-1/2" Bolt, Standard	1
6	800233	800233	1/4" Nut, Standard	10

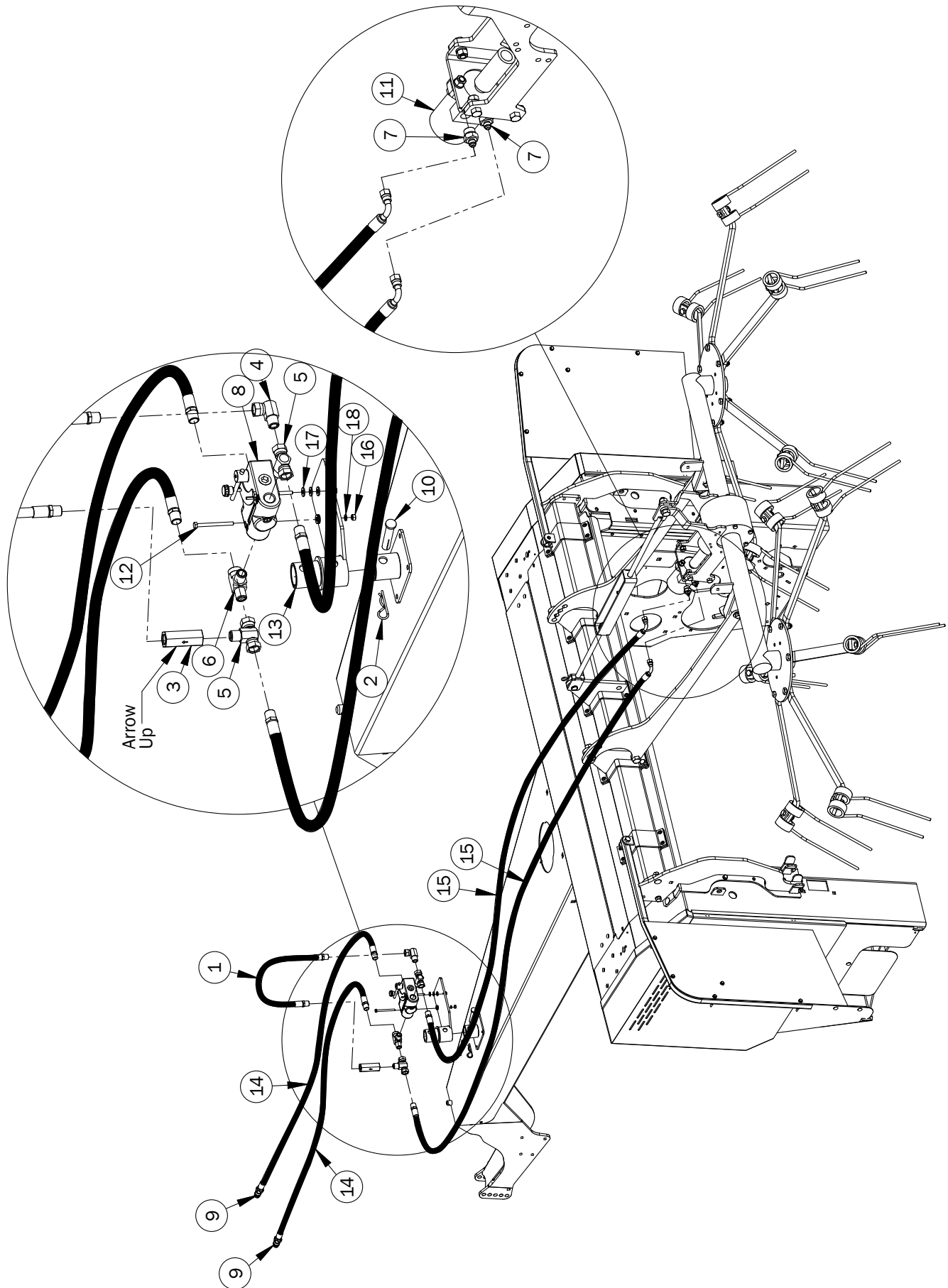




## Tedder Attachment Kit K104

Item No.	Stock No.	Drawing No.	Description	Qty.
7	800321	800321	Coupler, 1-3/8"	1
8	801682	801682	Tedder, Daros (Rossi)	1
9	801818	801818	Pin, Lynch, 7/16"	2
10	801820	801820	Pin, R, 1/8"	1
11	804196	804196	1/2" Nut, Standard	36
12	804199	804199	3/4" Nut, Standard	5
13	804367	804367	1/2" Washer, Lock	40
14	804369	804369	3/4" Washer, Lock	4
15	807524	807524	1/2" SAE Washer	2
16	807706	807706	1/2" x 1-3/4" Bolt, Carr.	6
17	808353	808353	Washer, Lock, Spring, 1/4" Gr. 8	10
18	808781	808781	1/4" SAE Washer, Flat	10
19	808782	808782	1/4" x 2" Bolt, Standard	10
20	808784	808784	1/2" x 2-1/4" Bolt, Standard, Gr. 8	2
21	808785	808785	Motor, Hydraulic, 2001 DH 50 (See pages 78-79, Item 11)	-
22	809040	809040	10mm x 40mm Bolt, Metric	6
23	809090	809090	Tooth Arm, Fixed, Tedder	8
24	809091	809091	Tooth, Tedder	12
25	809092	809092	Plate, Tooth Clamp, Tedder	12
26	809094	809094	14mm x 40mm Bolt, Metric	20
27	809095	809095	14mm Nut, Nylon Lock	24
28	809096	809096	Tooth Arm, Adjustable, Tedder	4
29	809098	809098	14mm x 25mm Bolt, Metric	4
30	809586	809586	Pin, Clevis, 3/4" x 2"	1
31	812755	812755	7/8" x 4-1/2" Bolt, Standard	2
32	812756	812756	7/8" Nut, Standard	4
33	812757	812757	7/8" SAE Washer, Flat	6
34	810158	A66012	Turnbuckle Assembly, Tedder (See pages 80-81)	1
35	810553	MCT111L	Tedder Attachment Hook, L/H	1
36	810555	MCT111R	Tedder Attachment Hook, R/H	1
37	807861	MCT115	Arm, Motor Mounting, R/H	1
38	807864	MCT116	Arm, Motor Mounting, L/H	1
39	807859	MCT117	Motor Mounting Plate	1
40	807882	MCT119	Tedder Flap	2
41	807876	MCT11W1	Tedder Main Beam	1
42	810559	MCT11W9L	Tedder Flap Frame, L/H	1
43	810562	MCT11W9R	Tedder Flap Frame, R/H	1
44	810557	MCT120	Tedder Attachment Arm	2
45	810157	MCT1214	Bushing, Turnbuckle, Tedder	1
46	813960	MCT126	Clamp, Tedder	5
47	813968	MCT12W6	Bracket, Attachment, Tedder	3
48	813970	MCT12W7	Clamp, Bracket, Flap Attach, L/H, Tedder	1
49	813972	MCT12W8	Clamp, Bracket, Flap Attach, R/H, tedder	1
50	814677	MCT12W9	Stabilizer Bar, Tedder	2

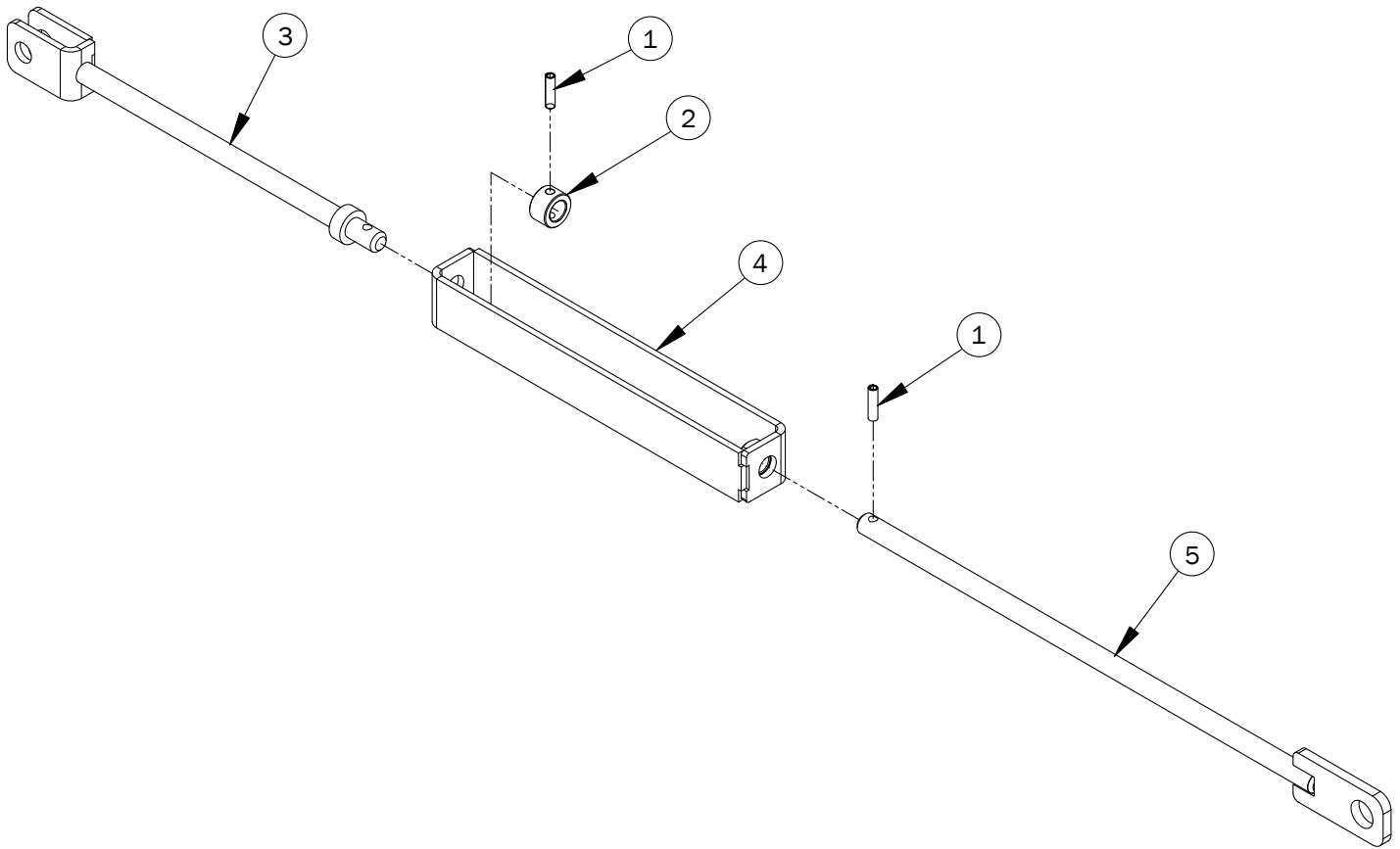
# Tedder Attachment Kit K104 Hydraulics



## Tedder Attachment Kit K104 Hydraulics

Item No.	Stock No.	Drawing No.	Description	Qty.
1	802478	79231-1	Hydraulic Hose, 24"	1
2	801820	801820	Pin, R, 1/8"	1
3	802474	802474	Valve, Check	1
4	802482	802482	Elbow, Hydraulic	1
5	802484	802484	Tee, Hydraulic	2
6	802485	802485	Tee, Hydraulic	1
7	802486	802486	Adapter, Hydraulic	2
8	802836	802836	Valve Body	1
9	804099	804099	Quick Coupler	2
10	807055	807055	Pin, Clevis	1
11	808785	808785	Motor, Hydraulic, 2001 DH 50	1
12	808783	BOS16125	1/4" x 3" Bolt, Standard	2
13	807879	MCT11W5	Valve Body Holder	1
14	808721	MCT745	Hydraulic Hose	2
15	808722	MCT746	Hydraulic Hose	2
16	800233	NUTS16	1/4" Nut, Standard	2
17	807522	WAF20M	5/16" SAE Washer, Flat	6
18	808353	WAL16	1/4" Washer, Lock	2

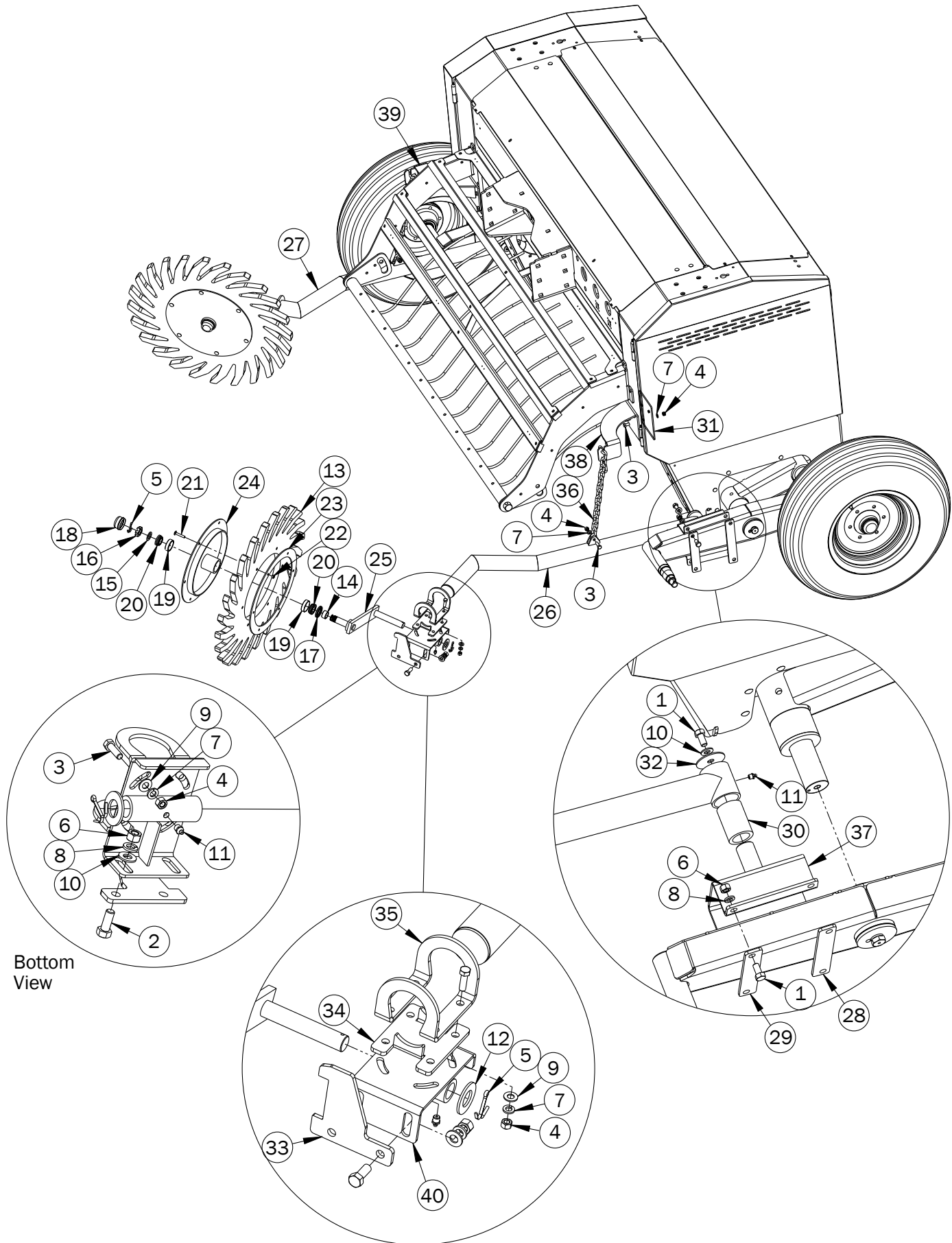
# Tedder Attachment Kit K104 Turnbuckle Assembly



**Tedder Attachment Kit K104 Turnbuckle Assembly**

Item No.	Stock No.	Drawing No.	Description	Qty.
1	809600	809600	Pin, Coiled Spring, 0.312" x 1.25"	2
2	810155	MCT1213	Spacer, Bushing, Tedder	1
3	810138	MCT12W1	Clevis, Turnbuckle, Tedder	1
4	810144	MCT12W2	Arm Weldment, Turnbuckle, Tedder	1
5	810149	MCT12W3	Rod Weldment, Turnbuckle, Tedder	1

# Gathering Wheels Attachment Kit K107

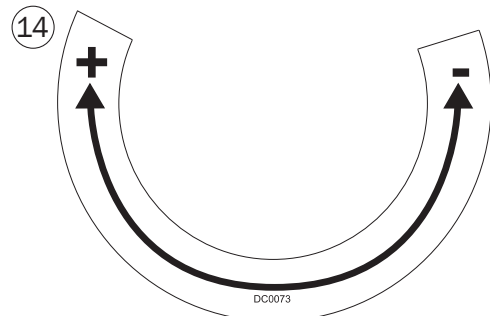
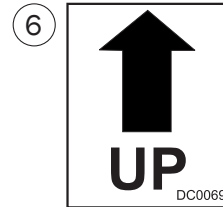
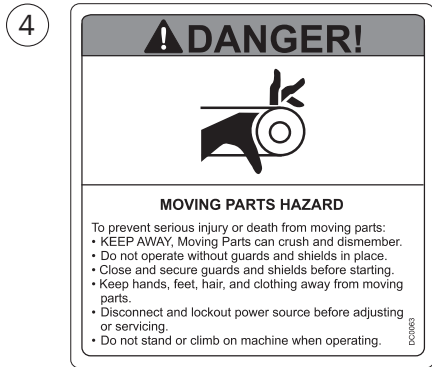
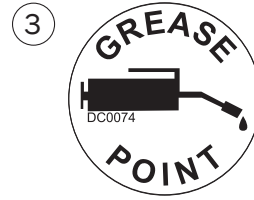


Bottom View

## Gathering Wheels Attachment Kit K107

Item No.	Stock No.	Drawing No.	Description	Qty.
1	800164	800164	1/2" x 1" Bolt, Standard	10
2	800166	800166	1/2" x 1-1/4" Bolt, Standard	4
3	800197	800197	3/8" x 1-1/4" Bolt, Standard	16
4	800236	800236	3/8" Nut, Standard	16
5	804076	804076	Cotter Pin	4
6	804196	804196	1/2" Nut, Standard	12
7	804366	804366	3/8" Washer, Lock, Gr. 8	16
8	804367	804367	1/2" Washer, Lock	12
9	807523	807523	3/8" SAE Washer	8
10	807524	807524	1/2" SAE Washer, Flat	6
11	807556	807556	Nipple, Grease, 1/8 MPT	4
12	810288	810288	1" SAE Washer	2
13	811516	811516	Guide Wheel, Gathering Wheel	2
14	811520	811520	Collar, Sealing Ring, Gathering Wheel	2
15	811521	811521	Washer, Spindle, 1"	2
16	811522	811522	Nut, Spindle NF, 1" Slotted Jam	2
17	811533	811533	Seal, Oil, Gathering Wheel	2
18	811534	811534	Cap, Dust, Gathering Wheel	2
19	811535	811535	Cup, Bearing, Tapered Roller	4
20	811536	811536	Cone, Bearing, Tapered Roller	4
21	811603	811603	5/16" x 1-3/4" Bolt, Carr.	12
22	811604	811604	Nut, Lock, Pinch, 5/16"	12
23	811605	811605	Ring, Gathering Wheel	2
24	811606	811606	Disc, Gathering Wheel	2
25	811607	811607	Spindle with Bar, Gathering Wheel	2
26	811389	A66018	Pivot Arm, L/H, Gathering Wheel	1
27	811388	A66019	Pivot Arm, R/H, Gathering Wheel	1
28	811362	MCG111	Plate, Mounting Bracket, Gathering Wheel	2
29	811364	MCG112	Plate, Mounting Bracket, Gathering Wheel	2
30	811365	MCG113	Nylon Bushing, Gathering Wheel	2
31	811377	MCG114	Backing Plate, Gathering Wheel	2
32	811367	MCG115	Washer, Gathering Wheel	2
33	811375	MCG116	Stop Plate, Swivel Bracket, Gathering Wheel	2
34	811373	MCG117	Swivel Bracket, Gathering Wheel	2
35	811370	MCG118	U Clamp, Gathering Wheel	2
36	811392	MCG119	Chain, 5/16" x 1-1/4", Gathering Wheel	2
37	811360	MCG11W1	Bracket, Walking Beam Mount, Gathering Wheel	2
38	811348	MCG11W4L	Chain Hook, L/H, Gathering Wheel	1
39	811342	MCG11W4R	Chain Hook, R/H, Gathering Wheel	1
40	811355	MCG11W5	Swivel Bracket, Gathering Wheel	2

# Decals





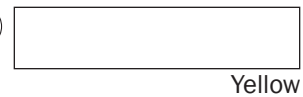
**Decals**

Item No.	Stock No.	Drawing No.	Description	Qty.
1	814402	814402	Macerator 6620 Side Panel Decal	2
2	814406	814406	Side Panel Grains Decal	2
3	801621	DC0074	Grease Point Decal	18
4	801620	DC0063	Moving Parts Hazard Decal	3
5	801629	DC0068	High Pressure Fluid Hazard Decal	4
6	801628	DC0069	Up Decal	2
7	801615	DC0066	AgLand Decal	2
8	801613	DC0062	1000 RPM Decal	1
9	801625	DC0065	Rubber Roll Air Bags Decal	1
10	801614	DC0061	540 RPM Decal	1
11	801627	DC0070	Steel Roll Air Bags Decal	1
12	801618	DC0071	Air Tank Pressure Decal	1
13	801617	DC0072	Air Tank Fill Decal	1
14	808660	DC0073	Close/Widen Gap Decal	2
15	801619	DC0064	Keep Shields and Guards in Place Decal	4
16	814021	814021	Initial Field Settings Decal	1
17	802303	802303	Reflective Tape 2in x 9in Yellow	1
18	802302	802302	Reflective Tape 2in x 9in Red	1

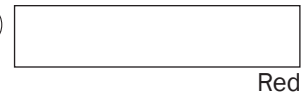
16

Initial Field Settings <span style="float: right;">814021</span>				
Initial Recommended Roll Settings (Starting Point)				
Crop Types	Steel Roll Gap	Steel Roll (PSI)	Rubber Roll Gap	Rubber Roll (PSI)
Timothy/Grasses	1/32" (0.8mm)	60	1/32" (0.8mm)	50
Bermuda/Brougham Grasses	1/32" (0.8mm)	60	1/32" (0.8mm)	50
Cereals, Oat Hay/Wheat	1/32" (0.8mm)	50	1/32" (0.8mm)	50
1st Cut Alfalfa	1/8" (3.1mm)	5	1/32" (0.8mm)	20
2nd, 3rd, 4th Cut Alfalfa	3/16" (4.8mm) - 1/4" (6.4mm)	5-7	1/32" (0.8mm)	15-20
Broad Leaf and Heavy Stemmed Plants	1/4" (6.4mm)	60	1/32" (0.8mm)	50

17



18



# Index

<b>Part Number (Drawing or Stock)</b>	<b>Page Number</b>	<b>Part Number</b>	<b>Page Number</b>
79231-1	79	800240	3, 7, 21, 47, 57, 65
800045	13, 15	800259	13, 15, 23
800048	23, 39, 40, 44, 47	800276	19
800055	51, 69	800321	77
800057	5, 40, 44	800396	3
800059	39, 40	800755	65
800062	5, 9, 11, 20, 61, 67, 75	800876	23
800064	20, 44	801081	75
800065	39, 40, 44, 47	801169	43, 49
800066	51	801171	17
800068	39, 44	801176	43
800072	57	801177	43, 49
800073	20, 47, 57	801471r01	57
800133	39, 40, 44, 47, 55	801481	41, 47
800143	65	801484	39, 45
800159	19	801518	55
800164	21, 43, 83	801538r02	59
800165	71, 73, 75, 76	801613	85
800166	39, 40, 44, 47, 69, 76, 83	801614	85
800167	55, 76	801615	85
800170	39, 44	801617	85
800170	44	801618	85
800173	51	801619	85
800174	39	801620	85
800176	57	801621	85
800184	21	801625	85
800189	45	801627	85
800190	76	801628	85
800191	76	801629	85
800195	7, 13, 15, 71, 73	801631	41
800197	11, 13, 15, 21, 41, 47, 53, 69, 71, 73, 83	801682	77
800198	53	801714	65
800200	67	801732	67
800204	73	801818	5, 71, 73, 75, 77
800205	61	801820	41, 47, 51, 57, 75, 77, 79
800206	21	802302	85
800207	15	802303	85
800209	3, 13, 15, 21, 67, 71, 73	802474	79
800210	45	802478	79
800210	55	802482	79
800211	23	802484	79
800212	23	802485	79
800216	21	802486	79
800219	3, 7	802836	79
800225	71	802911	43
800228	13	802917	43
800233	21, 67, 76, 79	802922	17
800236	5, 7, 13, 15, 17, 23, 41, 45, 53, 67, 71, 73, 83	803583	41
		803585	45

## Index

803586 .....	15	803892 .....	45
803587 .....	45	803894 .....	45
803610 .....	7	803895 .....	41
803611 .....	3	803897 .....	23
803612 .....	3	803908 .....	41, 47, 55
803616 .....	21	803912 .....	47
803623 .....	15, 71, 73	803915 .....	41
803625 .....	3, 7, 65	803928 .....	55
803660 .....	17	803929r01 .....	41
803661 .....	43	803938r01 .....	51
803662 .....	43, 49	803939 .....	51
803676 .....	75	803941r01 .....	51
803692 .....	75	803946r01 .....	57
803694 .....	75	803947 .....	47, 51
803696 .....	75	803950 .....	53
803716r02 .....	13	803951 .....	51
803722 .....	13	803959 .....	59
803729 .....	19	803962 .....	51
803730r01 .....	13	803963r01 .....	47
803732r01 .....	13	803966r02 .....	51
803733r01 .....	19	803970r02 .....	3
803734r01 .....	13	803994 .....	11, 41, 47, 71
803742r02 .....	13	803996 .....	71, 73
803744r03 .....	15	803998 .....	71
803746r03 .....	13	804000 .....	71
803748r01 .....	13	804002 .....	71
803755r02 .....	15	804010 .....	73
803760r01 .....	15	804012 .....	73
803761 .....	17	804016 .....	71
803764 .....	15	804018 .....	71
803765 .....	13	804020 .....	71
803766 .....	15	804022 .....	71
803767 .....	13	804025 .....	71
803773 .....	13	804026 .....	71
803795 .....	61	804028 .....	71
803824 .....	21	804032 .....	67
803827 .....	21	804035r01 .....	41, 47
803829 .....	61	804037 .....	41, 47
803851r01 .....	57	804039r01 .....	41
803853r01 .....	57	804042r01 .....	15
803855 .....	21	804042r02 .....	41
803857 .....	21	804044r02 .....	67
803861r01 .....	3	804049r01 .....	41, 47
803863r01 .....	3	804050r02 .....	41
803865r01 .....	57	804059 .....	13
803867r01 .....	57	804061 .....	13, 15
803869 .....	21	804062 .....	13, 15
803871 .....	57	804064 .....	13, 15
803884 .....	39, 45, 55	804066 .....	13, 15

# Index

804067 .....	57	804198.....	5, 15, 21, 39, 41, 45, 47, 61
804069 .....	59	804199.....	77
804070.....	59	804232 .....	43
804071 .....	59	804233 .....	43
804073.....	59	804234 .....	49
804075.....	59	804235 .....	49
804076 .....	59, 83	804236 .....	43
804077 .....	59	804237.....	15
804078.....	57	804238 .....	17
804080 .....	59	804239 .....	17
804081.....	23	804301.....	21
804082 .....	23	804302 .....	67
804087.....	23	804365 .....	45
804090 .....	21	804366 .....	5, 7, 13, 15, 21, 41, 43, 45, 49, 53, 69, 71, 73, 83
804093 .....	21	804367 .....	21, 39, 41, 43, 45, 47, 49, 51, 55, 69, 71, 73, 75, 77, 83
804099 .....	61	804368 .....	5, 21, 23, 39, 41, 45, 47, 55, 57, 61
804099 .....	79	804369 .....	45, 77
804101.....	61	806138.....	29
804102.....	61	806268 .....	27, 29
804103.....	61	806269 .....	27, 29
804105.....	61	806556 .....	3, 7, 21, 47, 57, 65
804106.....	61, 67	806636 .....	13, 41, 47
804107 .....	65	806938 .....	43
804108.....	65	806939 .....	43
804109.....	65	806940 .....	43
804111.....	57	806941.....	43
804113.....	13	806942 .....	43
804116 .....	43	806943 .....	49
804134.....	17	807000.....	57
804137 .....	3	807028r01.....	41
804143.....	65	807033.....	11
804146.....	65	807034.....	11
804147 .....	65	807035.....	11
804148.....	65	807037 .....	17
804149.....	65	807041.....	23
804150.....	65	807043.....	11
804151 .....	65	807052.....	39
804152.....	65	807055.....	51, 79
804153.....	65	807101 .....	15
804154.....	65	807156 .....	13, 15, 23
804155.....	39, 41, 45, 47	807402 .....	15
804160.....	47	807403 .....	21
804180r01.....	57	807406 .....	13
804187 .....	51	807449 .....	61
804190.....	13	807451 .....	61
804191 .....	3	807452 .....	61
804194.....	5, 9, 11, 13, 15, 21, 61, 67, 71, 75	807456 .....	41
804196.....	21, 39, 41, 45, 47, 51, 69, 71, 73, 75, 77, 83		
804197 .....	21		

**Index**

807457 .....	41	807859.....	77
807461 .....	45	807861.....	77
807472 .....	15	807864.....	77
807487 .....	41	807866.....	23
807513.....	23	807869.....	13, 15
807516.....	13, 15	807876.....	77
807517 .....	39, 41, 45, 47, 61	807879.....	79
807521.....	41	807882.....	77
807521.....	51	807884.....	41
807522.....	3, 5, 9, 11, 13, 15, 21, 71, 73, 75, 79	807890.....	23, 39, 41, 45, 47
807523.....	5, 7, 11, 13, 17, 67, 71, 73, 83	807919.....	67
807524.....	39, 41, 45, 47, 71, 73, 75, 77, 83	807964.....	31
807525.....	23, 51	807965.....	33
807528.....	9, 13, 15, 21, 43, 61, 67, 71, 73, 75	807966.....	31, 35, 37
807546.....	3	807967.....	33
807550.....	21	808044 .....	23
807556.....	39, 41, 45, 47, 83	808045 .....	23
807558.....	23, 39, 45, 47, 51, 57	808046 .....	23
807559.....	3	808047 .....	23
807562.....	23	808052 .....	33
807563.....	23	808053 .....	31
807564.....	23	808054 .....	31
807565.....	23	808055 .....	33
807578.....	21	808056 .....	33
807581.....	3	808057.....	31
807591.....	39, 45	808068 .....	35
807685.....	11	808072.....	35
807705.....	61	808107 .....	23
807706.....	41, 47, 77	808109.....	23, 39, 41, 45, 47
807712 .....	67	808115.....	57
807713 .....	67	808123.....	25
807726.....	73	808128.....	25
807728.....	73	808175.....	75
807729.....	73	808200 .....	23, 39, 41, 43, 45, 47
807757 .....	57	808267 .....	67
807794.....	43	808339 .....	43, 49
807799.....	3, 7	808340 .....	43, 49
807802.....	67	808341.....	43
807818.....	27	808342 .....	17, 43
807819.....	27, 29	808343 .....	43
807820.....	27, 29	808344 .....	43
807821.....	59	808345 .....	43
807822.....	59	808353 .....	17, 43, 77, 79
807823.....	27	808355 .....	13, 15
807824.....	27	808362 .....	39
807825.....	27, 29	808363 .....	45
807826.....	29	808381.....	67
807836.....	27	808476.....	3
807851.....	27, 29	808522 .....	39

# Index

808527 .....	23	810383 .....	13, 15
808528 .....	23	810386 .....	15
808530 .....	39	810398 .....	57
808546 .....	75	810406 .....	57
808547 .....	75	810407 .....	57
808566 .....	75	810408 .....	57
808596 .....	13	810410 .....	55
808623 .....	65	810412 .....	55
808660 .....	85	810416 .....	55
808678 .....	5	810418 .....	55
808682 .....	5	810420 .....	57
808685 .....	5	810422 .....	57
808688 .....	5	810427 .....	21
808691 .....	5	810429 .....	21
808694 .....	5	810432 .....	61
808714 .....	21	810435 .....	61
808716 .....	5	810437 .....	21
808718 .....	5	810446 .....	21
808719 .....	5	810476 .....	21
808720 .....	5	810494 .....	65
808721 .....	79	810496 .....	39, 45
808722 .....	79	810497 .....	39, 45
808776 .....	23	810501 .....	9
808781 .....	77	810504 .....	9
808782 .....	77	810512 .....	9
808783 .....	79	810536 .....	51
808784 .....	77	810550 .....	39, 41, 45
808785 .....	77, 79	810553 .....	77
808816 .....	5	810555 .....	77
808965 .....	45	810557 .....	77
808966 .....	39	810559 .....	77
809040 .....	77	810562 .....	77
809090 .....	77	810581 .....	75
809091 .....	77	810584 .....	75
809092 .....	77	810621 .....	71
809094 .....	77	810622 .....	71
809095 .....	77	810633 .....	71
809096 .....	77	810636 .....	71
809098 .....	77	810649 .....	57
809470 .....	13	810650 .....	3
809586 .....	77	810772 .....	65
809600 .....	81	810773 .....	65
810138 .....	81	810787 .....	13
810144 .....	81	810916 .....	5
810149 .....	81	811342 .....	83
810155 .....	81	811348 .....	83
810157 .....	77	811355 .....	83
810158 .....	77	811360 .....	83
810288 .....	83	811362 .....	83

## Index

811364.....	83	812368.....	39, 45
811365.....	83	812443.....	9
811367.....	83	812456.....	45
811370.....	83	812459.....	39
811373.....	83	812463.....	39, 41, 45, 47
811375.....	83	812465.....	21
811377.....	83	812635.....	39, 41, 45, 47
811388.....	83	812683.....	63
811389.....	83	812700.....	21
811392.....	83	812720.....	39, 45
811468.....	51	812732.....	21
811516.....	83	812749.....	23
811520.....	83	812755.....	77
811521.....	83	812756.....	77
811522.....	83	812757.....	77
811533.....	83	812804.....	65
811534.....	83	813325.....	39, 45
811535.....	83	813736.....	41, 47
811536.....	83	813790.....	25
811603.....	83	813793.....	23
811604.....	83	813796.....	23
811605.....	83	813820.....	17
811606.....	83	813838.....	7
811607.....	83	813840.....	7
812149.....	21	813846.....	7
812244.....	61	813853.....	51
812249.....	69	813946.....	21
812253.....	69	813950.....	73
812254.....	53	813953.....	73
812255.....	53	813955.....	73
812263.....	21, 39, 41	813957.....	73
812264.....	21, 45, 47	813960.....	77
812278.....	51	813968.....	77
812301.....	65	813970.....	77
812302.....	65	813972.....	77
812327.....	25	814001.....	65
812328.....	25	814002.....	65
812329.....	25	814003.....	65
812330.....	25	814004.....	65
812337.....	45	814005.....	65
812340.....	39	814006.....	65
812344.....	61	814007.....	65
812348.....	61	814011.....	5
812351.....	45	814019.....	15, 39, 45
812354.....	39	814021.....	85
812357.....	41, 47	814062.....	21
812360.....	41, 47	814402.....	85
812362.....	39	814406.....	85
812365.....	45	814520.....	45

# Index

814522.....	39	DC0072 .....	85
814677.....	77	DC0073 .....	85
814714.....	75	DC0074.....	85
814753.....	67	KE1605.....	17
814770.....	23	KE2404.....	43
814771.....	23	KE2406.....	13, 15
A66003.....	3	KE2408.....	43, 49
A66004.....	3	KE2412.....	23
A66005.....	51	KE241605 .....	43
A66006.....	47	KE242007 .....	43
A66007.....	41	MB123.....	75
A66011.....	57	MB125.....	75
A66012.....	77	MB126.....	75
A66014.....	3	MB127.....	75
A66018.....	83	MB128.....	75
A66019.....	83	MB129.....	75
A66020.....	61	MB12W1.....	75
A66023.....	3	MB12W2.....	75
A66037.....	23	MB12W7.....	75
A66038.....	23	MB13W1.....	75
BOC20035.....	9, 11	MB13W2.....	75
BOC20045.....	13, 15	MC112 .....	13
BOS16125.....	79	MC112W3 .....	15
BOS20035.....	13, 15, 71	MC113 .....	13
BOS20085T.....	43	MC114 .....	13
BOS20108.....	15	MC114B.....	19
BOS24035.....	15, 71	MC114S.....	19
BOS24045.....	13, 15, 71	MC118L .....	13
BOS24055.....	11, 13, 15, 71	MC118R.....	13
BOS24085T.....	43, 49	MC11W1.....	13
BOS32045.....	43	MC11W2.....	15
BOS32065.....	71	MC11W3.....	13
BOS32075.....	55	MC11W4.....	13
BOS32115T.....	43, 49	MC122 .....	13
BOS40045.....	55	MC123.....	13
BOS40045.....	55	MC1253.....	15
BOSH20065.....	71	MC125A.....	17
BOSH20088.....	13	MC12W1.....	15
BOSQ24045.....	13, 15	MC12W5.....	15
DC0061.....	85	MC12W6.....	17
DC0062.....	85	MC1310.....	13
DC0063.....	85	MC1311.....	15
DC0064.....	85	MC1312.....	13
DC0065.....	85	MC133A.....	15
DC0066.....	85	MC133M.....	13
DC0068.....	85	MC135.....	15
DC0069.....	85	MC13W3.....	13
DC0070.....	85	MC13W4.....	13, 15
DC0071.....	85	MC14W5.....	5



## Index

MC211 .....	61	MC237D.....	55
MC2120A.....	41	MC238A.....	53
MC213 .....	65	MC238C.....	51
MC2140 .....	21	MC23W2.....	57
MC215C.....	21	MC23W3.....	21
MC215E.....	21	MC23W5.....	59
MC215F .....	61	MC23W7L.....	55
MC215G.....	21	MC23W7R .....	55
MC217 .....	57	MC23W8.....	47
MC21W4L.....	57	MC23W8A .....	51
MC21W4R .....	57	MC23W9.....	51
MC21W5C .....	21	MC240L .....	57
MC21W5D .....	21	MC240R.....	57
MC21W6AL.....	3	MC241 .....	3
MC21W6AR .....	3	MC241A .....	11
MC21W7L.....	57	MC241BR .....	11
MC21W7R .....	57	MC241C.....	11
MC21W8.....	21	MC242L .....	9
MC21W9.....	57	MC242R.....	9
MC221 .....	41, 47	MC243R.....	9
MC221A.....	39, 45	MC247C.....	73
MC2226L.....	61	MC248 .....	71
MC2226R .....	61	MC248C.....	11, 41, 47, 71
MC225A.....	39, 45, 55	MC248D .....	71, 73
MC225E.....	39	MC248KL.....	71
MC225M.....	39	MC248KR .....	71
MC226 .....	41	MC248M.....	71
MC226E.....	45	MC248N .....	71
MC226G .....	45	MC24W1.....	71
MC226H .....	45	MC24W1BL .....	11
MC2271 .....	23	MC24W2.....	71
MC227B.....	23	MC24W7A.....	73
MC228A.....	55	MC24W7B .....	73
MC22W3.....	41, 47, 55	MC24W7D .....	73
MC22W4L.....	47	MC24W7E.....	73
MC22W4R .....	41	MC24W8.....	71
MC22W9.....	55	MC24W8A.....	71
MC230L.....	57	MC24W8B .....	71
MC230R .....	57	MC24W8CL.....	71
MC232 .....	51	MC24W8CR .....	71
MC232M.....	51	MC24W8F.....	71
MC233A.....	21	MC24W9.....	71
MC233M.....	51	MC2514 .....	67
MC234 .....	57	MC251A.....	67
MC235 .....	59	MC254A.....	41, 47
MC237 .....	57	MC254B .....	41, 47
MC237A.....	57	MC255A.....	41
MC237C.....	55	MC255C.....	15, 41
MC237D.....	55	MC255D .....	41

# Index

MC25W1L.....	67	MC3121.....	5
MC25W1R.....	67	MC512A.....	23, 39, 41, 45, 47
MC25W2.....	39, 45	MC520.....	41, 47
MC25W4.....	41, 47	MC554.....	59
MC25W5.....	41	MC556.....	59
MC265A.....	39, 45	MC615.....	23
MC265B.....	39, 45	MC712A.....	61
MC2681.....	51	MC713A.....	61
MC268L.....	53	MC718.....	61
MC268R.....	53	MC720.....	61
MC26W3.....	65	MC721.....	61
MC26W9.....	51	MC723.....	23
MC271.....	73	MC745.....	67
MC272.....	73	MC750.....	13
MC273.....	9	MC762.....	25
MC274.....	21	MC763.....	25
MC275A.....	21	MC764.....	25
MC275B.....	21	MC765.....	25
MC278.....	73	MC766.....	39, 45
MC279.....	73	MC76W2.....	25
MC27W3.....	21, 45, 47	MC770.....	23
MC27W4.....	21, 39, 41	MC770A.....	43
MC27W5.....	21	MC770D.....	43
MC27W6L.....	69	MC771.....	23
MC27W6R.....	69	MC77W2.....	41
MC27W7.....	51	MC811S.....	43, 49
MC27W8.....	45	MC813C.....	43
MC27W9.....	39	MC814C.....	43
MC285L.....	61	MC815S.....	43
MC285R.....	61	MC816S.....	43, 49
MC286.....	45	MC820C.....	43
MC287.....	41, 47	MC821C.....	43
MC288.....	39	MC822S.....	43
MC28W4L.....	45	MC823S.....	43
MC28W4R.....	39	MC824S.....	49
MC28W5.....	39, 45	MC825S.....	49
MC28W6.....	41, 47	MC826S.....	43
MC28W7.....	39	MC829B.....	41
MC28W8.....	45	MC829D.....	41
MC29W0.....	45	MC832.....	17
MC29W1.....	7	MC835A.....	43
MC29W2.....	7	MC836C.....	43
MC29W4.....	21	MC837C.....	49
MC29W9.....	39	MC838.....	43
MC3116L.....	5	MC854.....	5
MC3116R.....	5	MC855L.....	5
MC3117.....	5	MC855R.....	5
MC3118.....	5	MCG111.....	83
MC3119.....	5	MCG112.....	83

## Index

MCG113 .....	83	WAL24 .....	13, 15, 43, 49, 71
MCG114.....	83	WAL32.....	43, 49, 55, 71
MCG115 .....	83	WAL40.....	55
MCG116.....	83		
MCG117.....	83		
MCG118 .....	83		
MCG119 .....	83		
MCG11W1.....	83		
MCG11W4L .....	83		
MCG11W4R.....	83		
MCG11W5 .....	83		
MCSE27 .....	39		
MCSE38TR .....	47		
MCT111L .....	77		
MCT111R.....	77		
MCT115 .....	77		
MCT116 .....	77		
MCT117 .....	77		
MCT119 .....	77		
MCT11W1.....	77		
MCT11W5.....	79		
MCT11W9L.....	77		
MCT11W9R .....	77		
MCT120 .....	77		
MCT1213.....	81		
MCT1214.....	77		
MCT126 .....	77		
MCT12W1.....	81		
MCT12W2.....	81		
MCT12W3.....	81		
MCT12W6.....	77		
MCT12W7.....	77		
MCT12W8.....	77		
MCT12W9.....	77		
MCT745 .....	79		
MCT746 .....	79		
NUTLP24 .....	13		
NUTLP32FT.....	13		
NUTS16.....	79		
NUTS20.....	9, 11, 13, 15, 71		
NUTS24.....	13, 15, 71		
NUTS32.....	71		
NUTS40.....	15		
NUTSJ64 .....	55		
WAF20M .....	9, 11, 13, 15, 71, 79		
WAF24M .....	11, 13, 71		
WAF32M .....	71		
WAL16.....	43, 79		
WAL20.....	9, 13, 15, 43, 71		

# LIMITED WARRANTY

## AGLAND INDUSTRIES INC. WARRANTY

AgLand Industries Inc. (hereinafter called "AgLand"), as the Manufacturer, warrants to the original owner of the AgLand Macerator (hereinafter called the "Macerator") the following:

A one (1) year\* warranty that the purchased Macerator will be free of defects in material or workmanship and workmanship on all parts manufactured by AgLand, including AgLand manufactured owner-serviceable parts (provided such parts are serviced in accordance with the Operator's Manual), from the date of delivery to the original retail purchaser under normal farm use and service, excluding normal wear items such as (but not limited to) belts, pickup tines, tires, and exterior finish.

\*Three (3) months after delivery when purchased by a commercial operator.

The sole obligation of the Manufacturer is limited to repairing or replacing, as the Manufacturer may elect, any part or parts that prove, in the Manufacturer's judgement, to be defective in material or workmanship.

Warranty service may only be performed by an authorized AgLand Dealer or an authorized AgLand Service Centre or as determined by AgLand.

Defective parts must be returned to the Manufacturer or the AgLand Dealer who sold the Macerator at the expense of the retail purchaser and are to be inspected by the Manufacturer prior to any warranty work being approved. The AgLand Dealer will forward, at the retail purchaser's expense, any defective parts to AgLand with a written request of warranty work required.

Note: All parts NOT manufactured by AgLand carry their own manufacturer's warranty. The customer is responsible for all costs necessary to replace those parts unless covered by the applicable manufacturer.

The above warranty is based on the following factors:

AgLand reserves the right to repair or replace, at its discretion, any defective part in whole or in part.

All instructions in the AgLand Macerator Operator's Manual must be followed.

The Warranty Registration must be forwarded to AgLand within thirty (30) days of the date of delivery of the Macerator to the Retail Purchaser to validate the warranty.

All warranties are subject to legislation of the state or province in which the Macerator is sold.

AgLand will not be responsible or liable for any of the following:

a) The return of any part or parts, or the Macerator as a whole, to the selling AgLand Dealer or to the Manufacturer, neither AgLand or its authorized AgLand Dealer are responsible for the cost of shipping, transport, or freight, labour, or any cost other than the replacement part itself, if that is what AgLand determines; b) The care, maintenance and safe operation of the Macerator is the responsibility of the owner of the Macerator; c) Any accidents, injury, damage or loss incurred due to use by any operator of the Macerator; d) Any accidents, injury, damage or loss incurred due to faulty use, repair, operation or maintenance of the Macerator; e) Any cost incurred for replacing or repairing of parts not manufactured by AgLand which carry their own manufacturer's warranty; f) Any out-of-pocket expenses or loss of revenue as a result of any defect in material or workmanship of any part or parts, or the Macerator as a whole; g) Damages, malfunctions or failures resulting from the use of any attachment not authorized by AgLand; h) Any accidents, injury, damages, or loss incurred due to any safety shields, lights, reflectors, decals, emblems, etc., being removed or covered; i) Any

accidents, injury, damage or loss due to the improper, or lack of, use of the safety tow chain or transport lock pin during transport; j) Any accidents, injury, damage or loss due to the lack of safety precautions when performing routine maintenance; k) Damages, malfunctions or failures caused by force majeure, abuse, accident, fire, or acts of God; l) All customers outside of North America are responsible for compliance with local laws, codes and regulations regarding operating requirements and certification, as well as all costs associated with such requirements and certification.

Any available warranty will be void if: a) Annual maintenance procedures are not followed as per the Operator's Manual; b) Any altering or modification is performed on the Macerator which is not approved by the Manufacturer; c) Any additional equipment is installed on the Macerator which has not been approved by the Manufacturer; d) Any instruction given in the Operator's Manual which has not been followed including during set up or assembly of attachments, or regular maintenance; or e) Any claim made under this warranty by, or for, a person other than the original owner.

There are no other warranties, expressed or implied, by AgLand or its Authorized AgLand Macerator Dealers regarding the AgLand Macerator except the warranty expressed herein. ANY IMPLIED WARRANTIES, INCLUDING MERCHANTABILITY, OR FITNESS FOR A PARTICULAR PURPOSE, SHALL NOT EXTEND BEYOND THE APPLICABLE WARRANTY PERIODS SPECIFIED ABOVE. AGLAND'S SOLE LIABILITY, WITH RESPECT TO ANY DEFECT, SHALL BE AS SET FORTH IN THIS LIMITED WARRANTY, AND ANY CLAIMS FOR INCIDENTAL OR CONSEQUENTIAL DAMAGES ARE EXCLUDED.

No person is authorized to bind AgLand to any other warranty whatsoever.

AgLand reserves the right at any time to make changes or improvements to the design, materials, or specifications of the Macerator or parts without thereby becoming liable to make similar changes to the Macerator or any of its parts previously manufactured.

Manufactured by:

AgLand Industries Inc.

