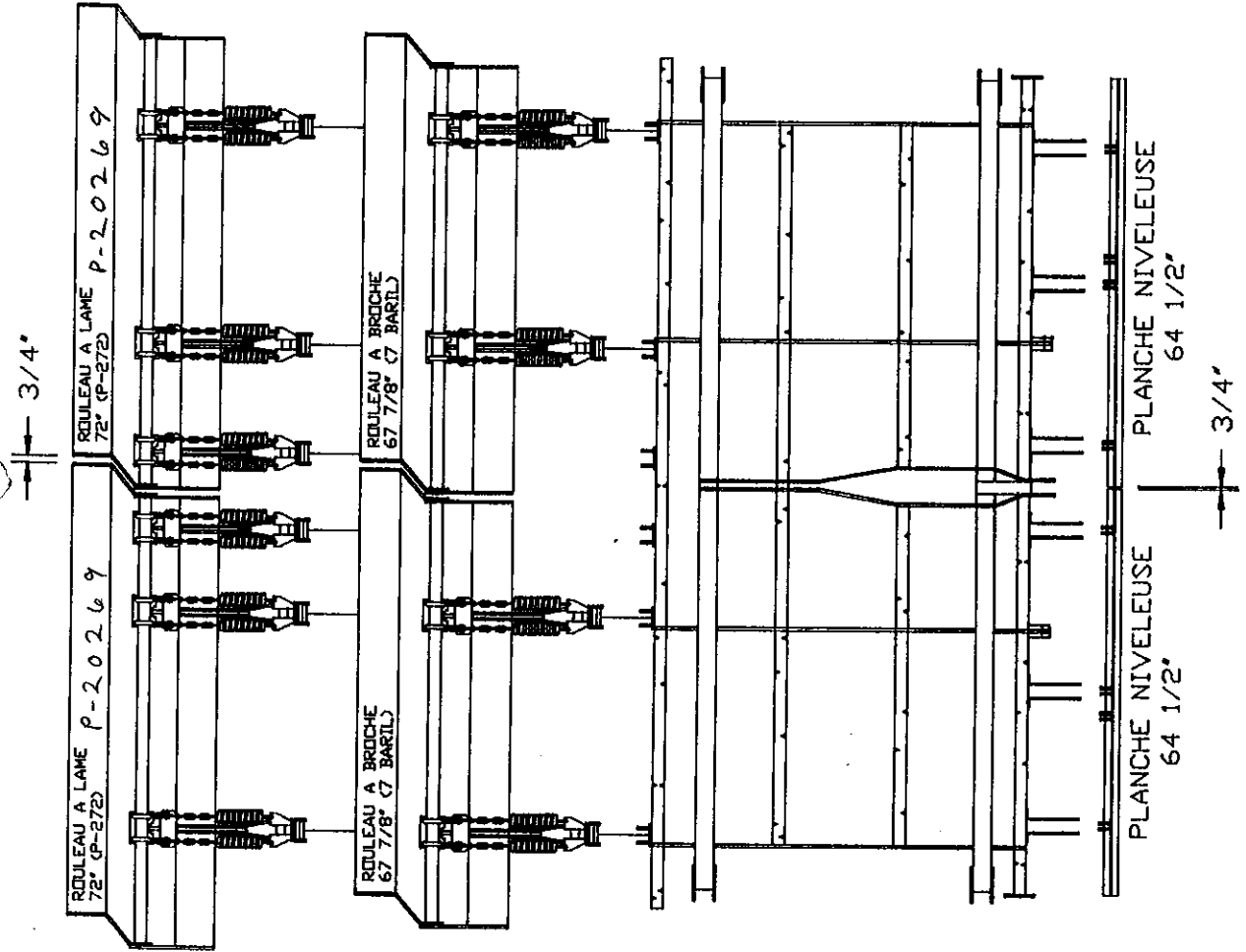


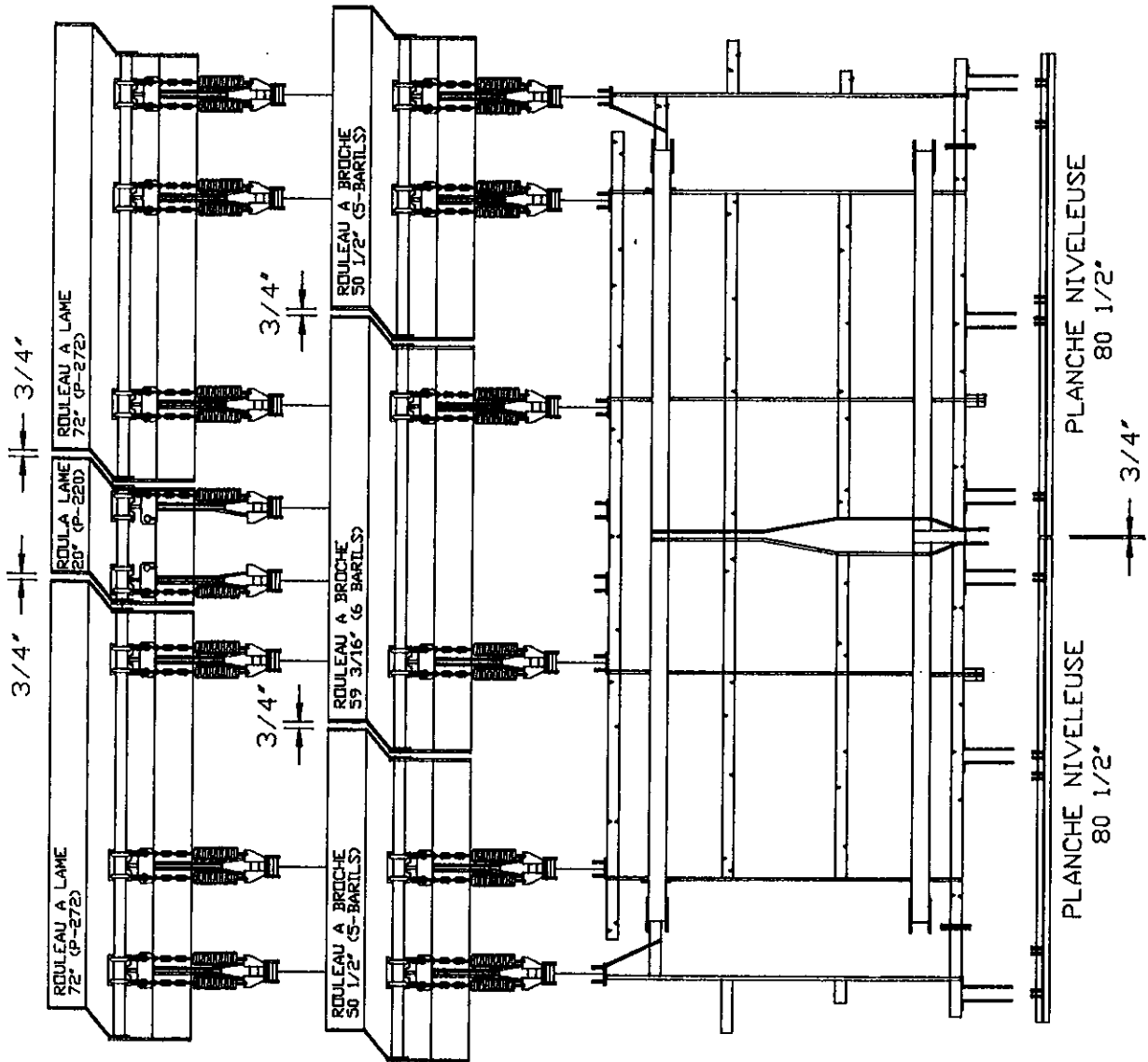


V-2150  
11'-0"



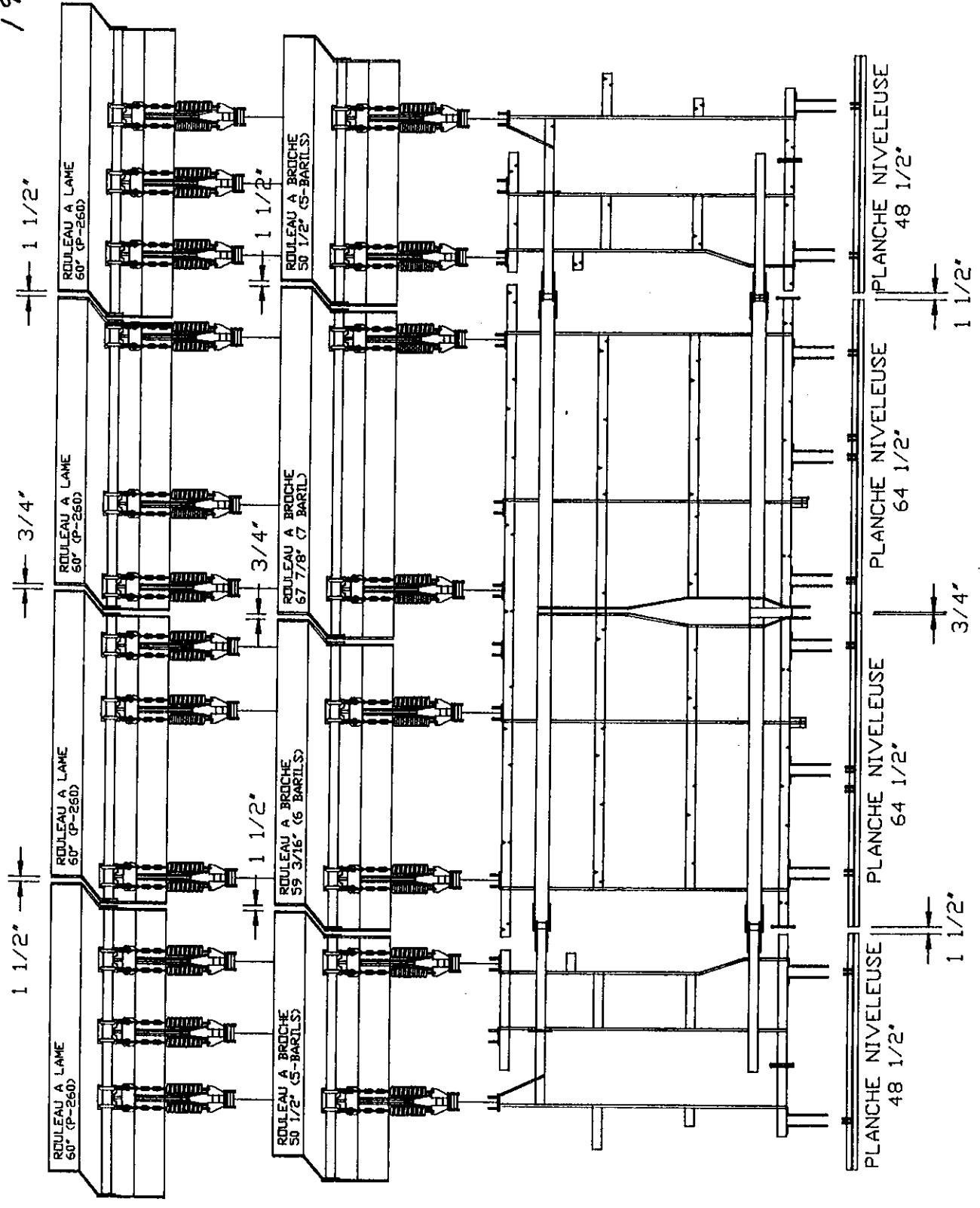
V-2150  
13'-8"

- 2 P-20251
- 1 P-20260
- 7 bras

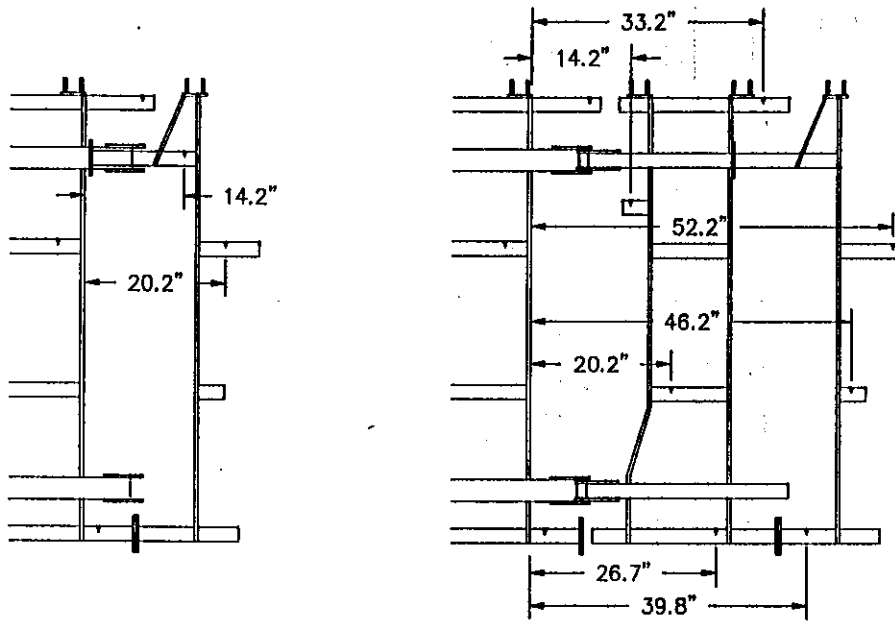
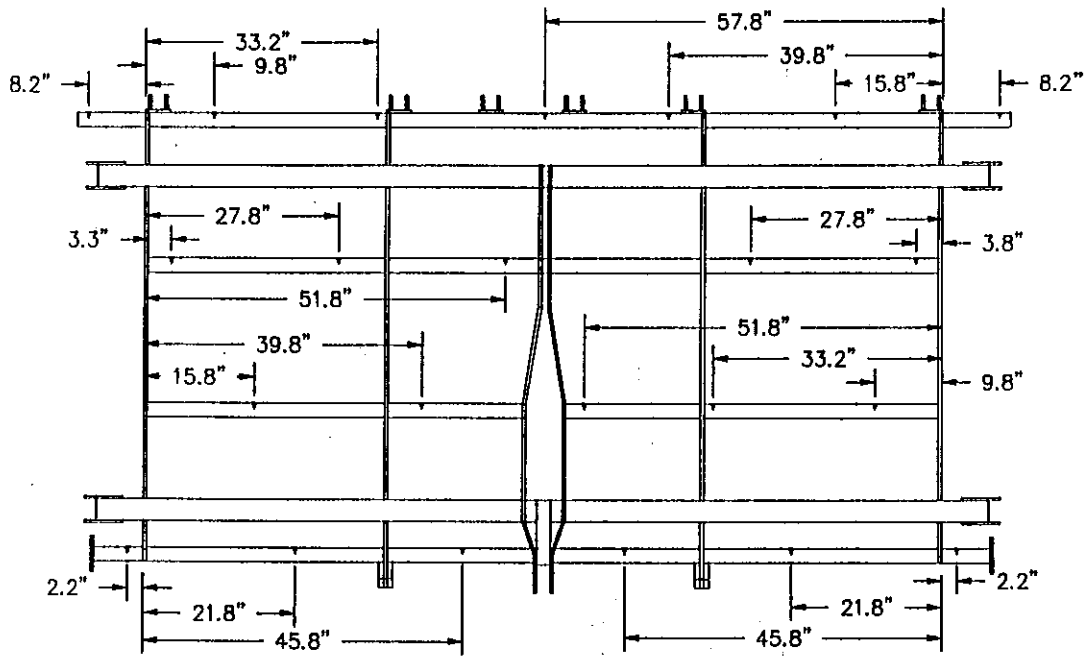


V-2 50  
19-0"

- 2 P-20251
- 1 P-20260
- 1 P-20269
- 10 PA-22072

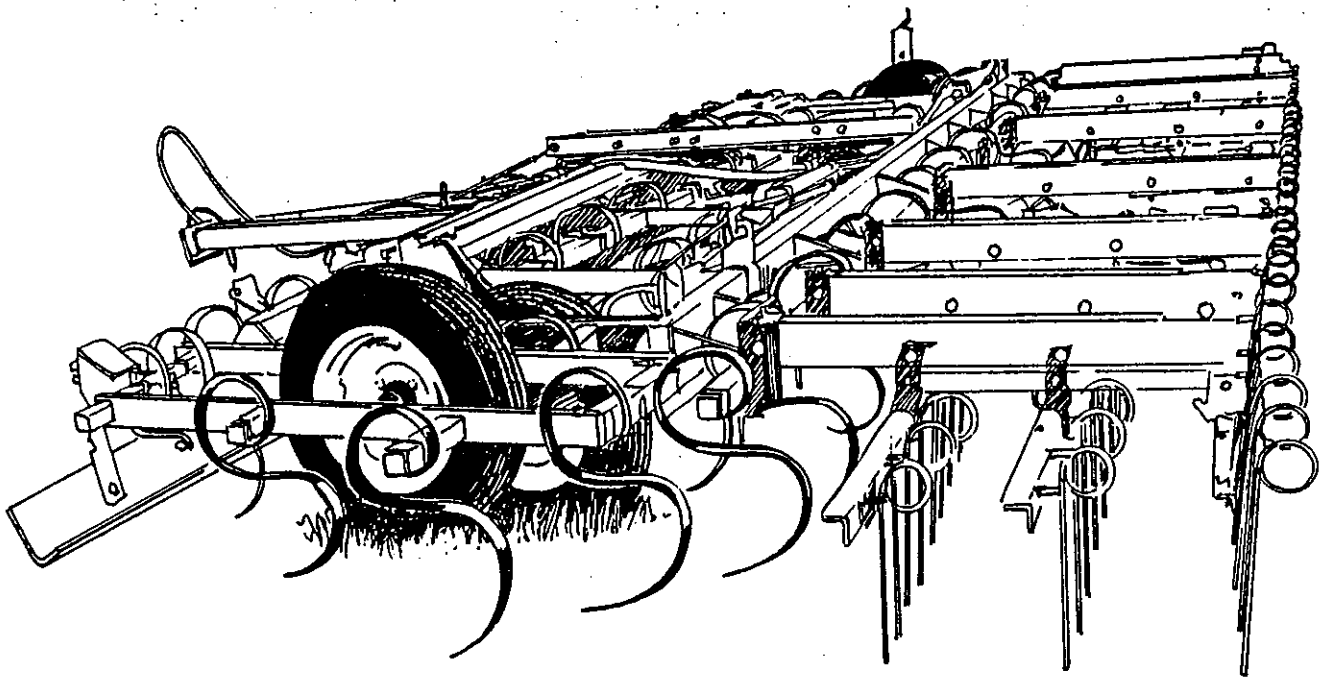


6" ESPACEMENT POUR  
VIBRO 2150



spare parts list  
pièces détachées

P 2150T



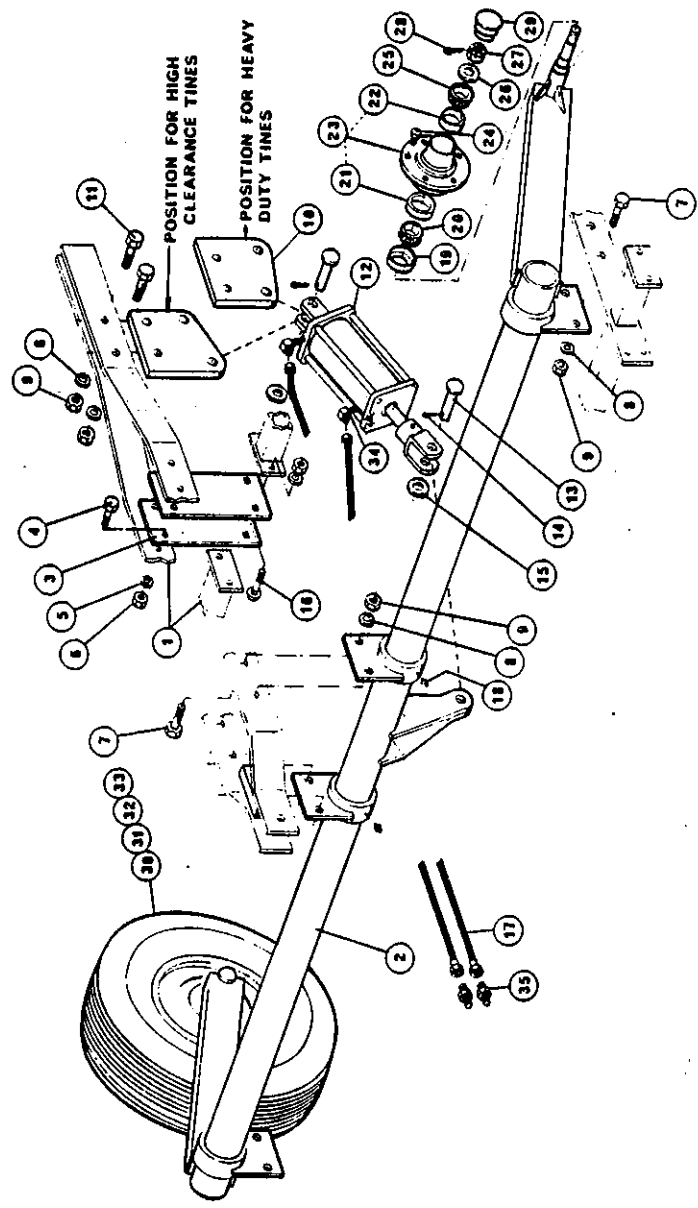
50001165

TABLE OF CONTENTS

	PAGE
WHEEL LIFT . . . . .	1
OUTRIGGER . . . . .	2
HINGE WINGS . . . . .	3
WHEEL JACK ASSEMBLY . . . . .	4
DRAW BAR ASSEMBLY . . . . .	5
HYDRAULIC WING LIFT . . . . .	6
SHARES . . . . .	7
TRANSPORT BLOCK . . . . .	8
TINES . . . . .	9
CYLINDERS . . . . .	10
OPTIONAL EQUIPMENT	
LEVELLING PLANKS . . . . .	11
DOUBLE ROLLING HARROWS . . . . .	12
LONG FINGER HARROWS . . . . .	13
3 BAR FINGER HARROWS . . . . .	14
HINGE CONVERSION KIT . . . . .	15

**WHEEL LIFT**

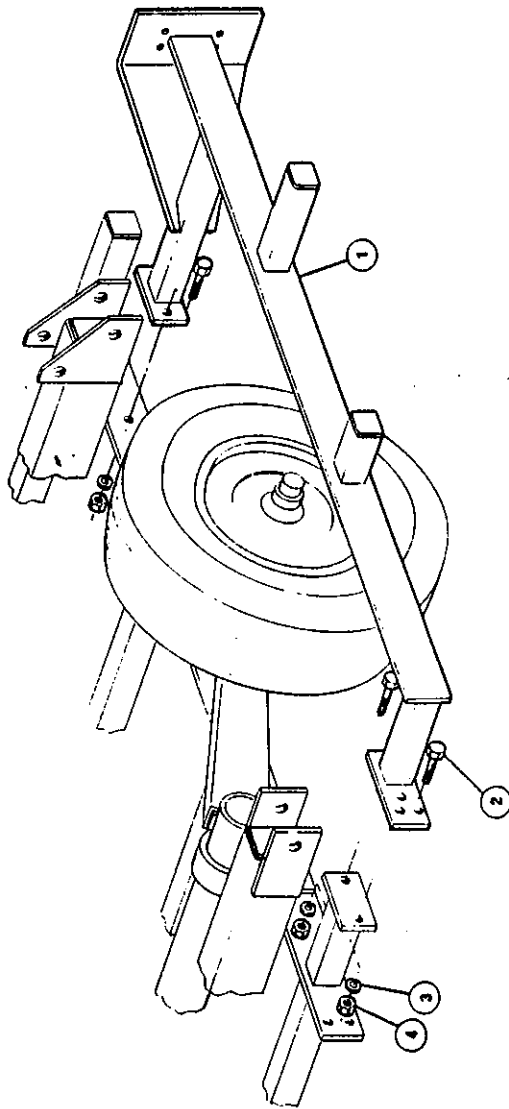
PART NO.	DESCRIPTION	
1	59410130	1
2	59210331	1
3	59463169	2
4	30279140	4
5	31451101	8
6	30589100	8
7	30279141	8
8	31451201	30
9	30589200	10
10	59263170	1
11	30279144	2
12	59280858	4
13	30867042	1
14	30851924	2
15	31461931	2
16	30288062	4
17	50280821	2
18	41701103	4
19	57880857	2
20	40125001	2
21	40126002	2
22	40126001	2
23	59280855	2
24	30250004	10
25	40125003	2
26	31461013	2
27	30580101	2
28	30851919	2
29	59980856	2
30	59280860	2
31	59280861	2
32	59880859	2
33	57880704	2
34	38621241	2
35	38622410	2





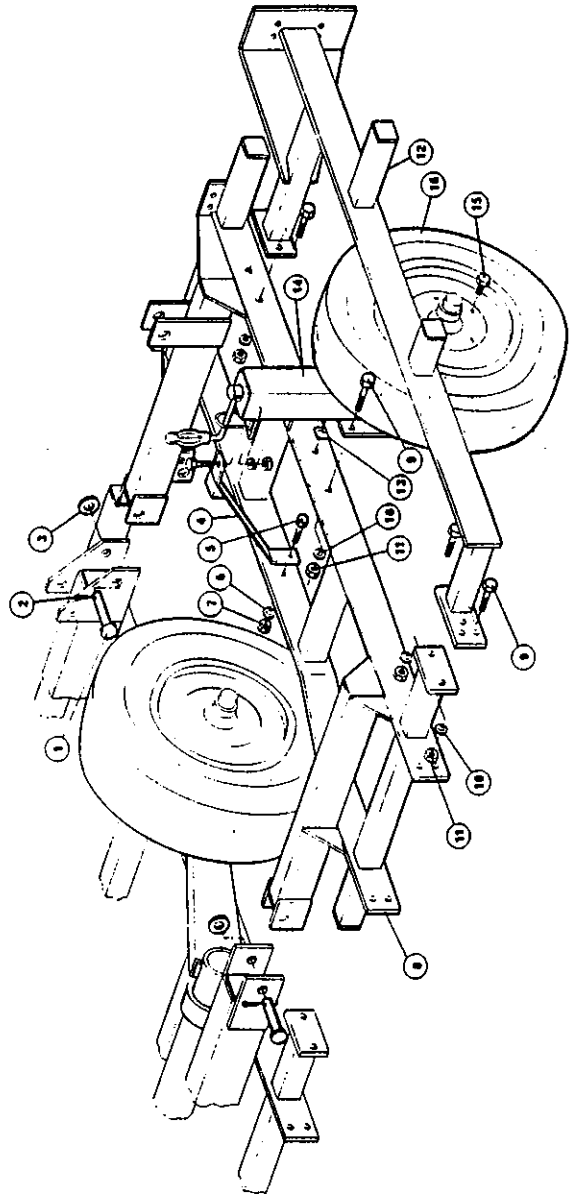
OUTRIGGER-MODEL FC1500T-11.0, 13.0

	PART NO.	DESCRIPTION	
✓ 1	59410332		2
2	30279117	5-.625-11x1.75	8
3	31451101	.625	8
4	30589100	.625-11	8



HINCE WINGS - MODEL FC1500T - 16.4, 19.0

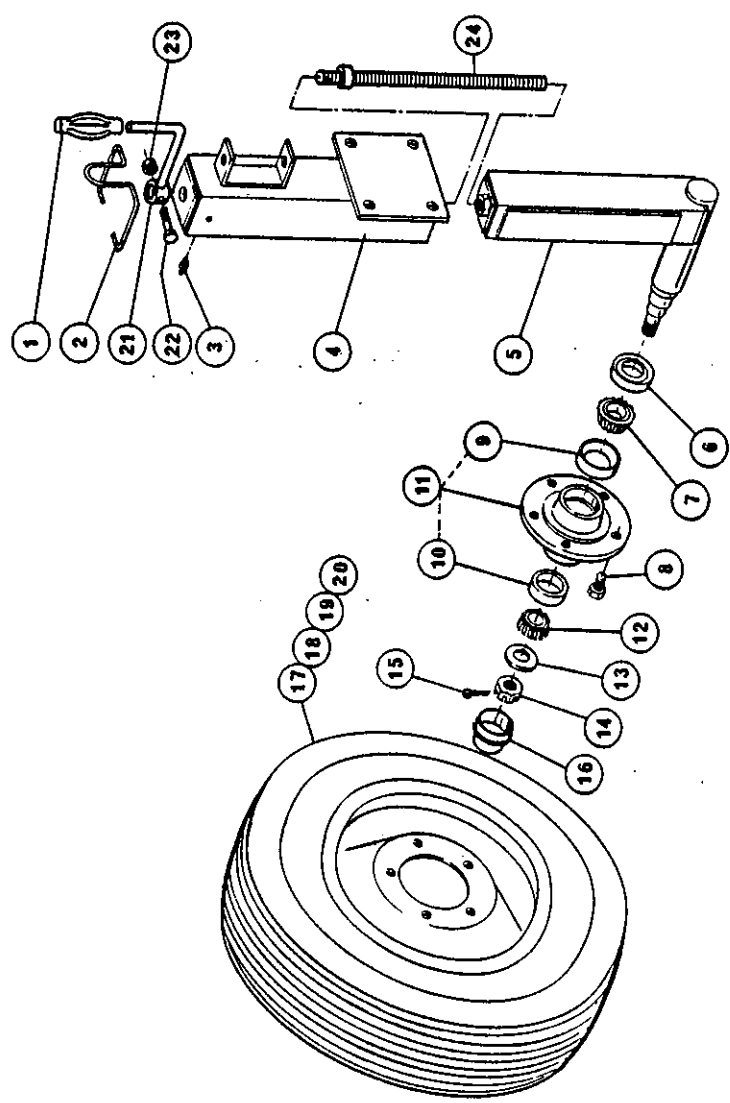
PART NO.	DESCRIPTION	
1	30867056	.875x4.50
2	30851923	.188x1.250
3	31461016	.9381.D.x2.2500.D.x .165 thk.
4	59463171	5-.438-14x1.50
5	30279066	.438
6	31451701	.438-14
7	30589002	L.H. (shown)
8	59490310	R.H.
9	30279117	5-.625-11x1.75
10	31451101	.625
11	30589100	.625-11
12	59410332	
13	59363172	
14	59290104	
15	30250004	.50-20x1.062
16	59082399	5.9x14



att. Normand

WHEEL JACK ASSEMBLY

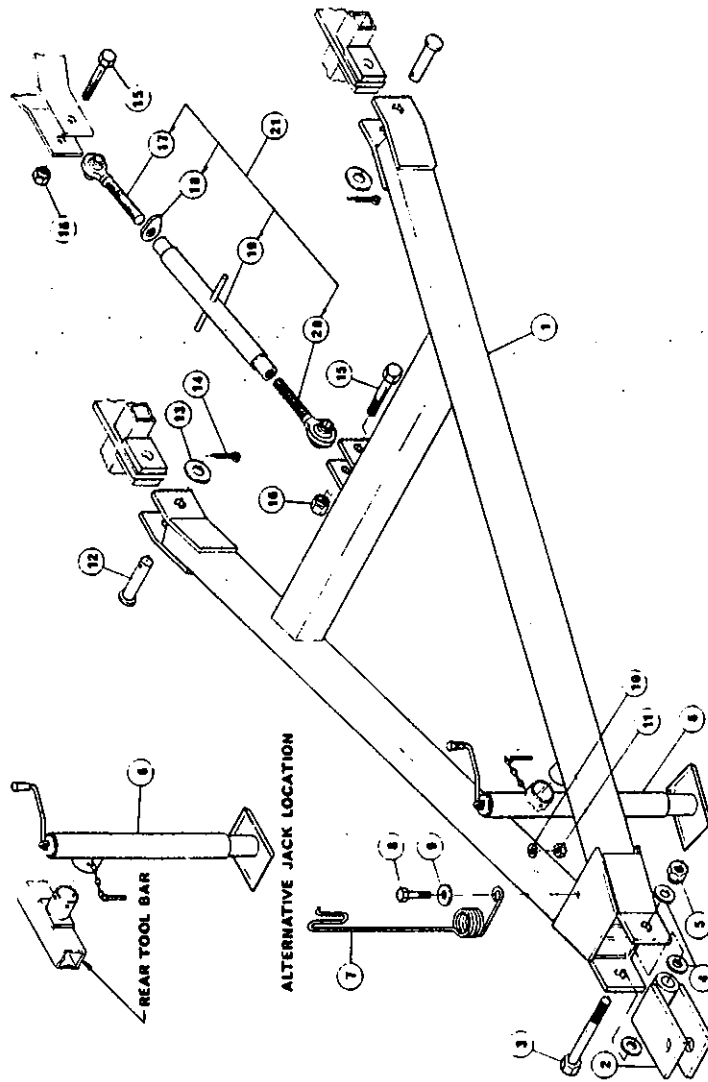
PART NO.	DESCRIPTION	
1	57880862	2
2	59340109	2
3	41701101	2
4	59211028	2
5	59210336	2
6	57880857	2
7	40125001	2
8	30250004	2
9	40126002	10
10	40126001	2
11	59280855	2
12	40125003	2
13	31461013	2
14	30580101	2
15	30851919	2
16	59980856	2
17	59980863	2
18	59280865	2
19	59280864	2
20	57880704	2
21	59311023	2
22	30279007	2
23	30564801	2
24	59311024	2



4-4000

**DRAMBAR ASSEMBLY**

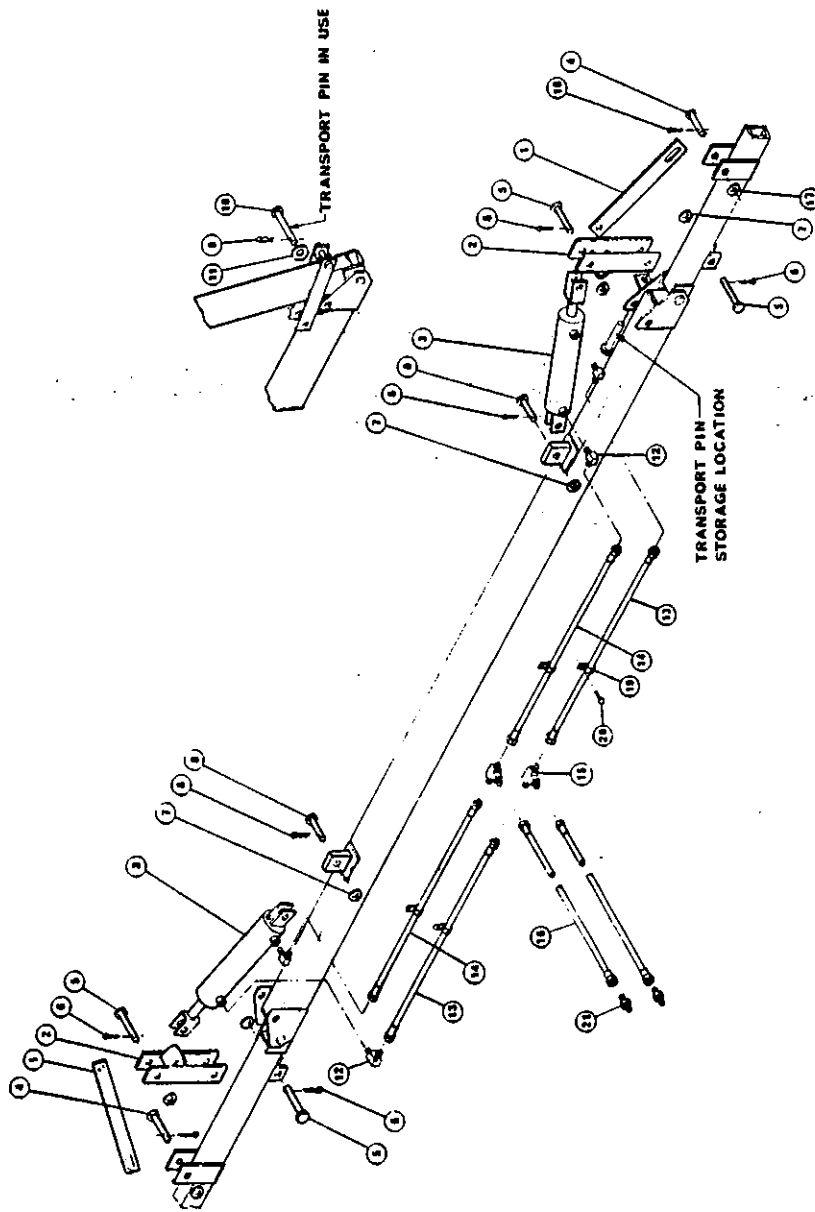
PART NO.	DESCRIPTION	
1	59490312	1
2	59410338	1
3	30279212	1
4	31461941	1
5	30564809	3
6	59380668	1
7	59280669	1
8	30279117	1
9	31461401	1
10	31451101	1
11	30589100	1
12	30867043	1
13	31461931	2
14	30290032	2
15	30279178	2
16	30564808	2
17	59380866	2
18	59380867	2
19	59380868	1
20	59380952	1
21	59382196	1
	R.H.	1
	Complete Assy.	1



**HYDRAULIC WING LIFT**

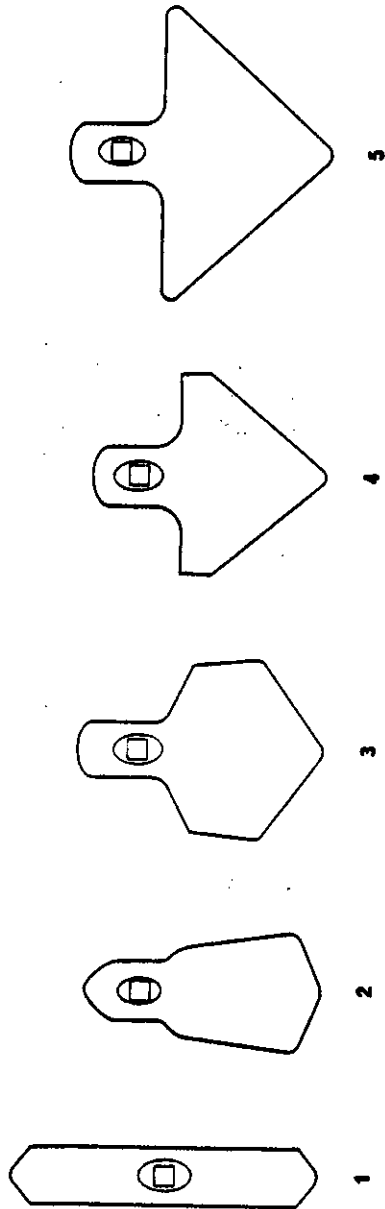
PART NO.	DESCRIPTION	
1	59263173	2
2	59210139	2
3	59281306	2
4	30867067	2
5	30867043	4
6	30851924	8
7	31461931	6
8	30867039	2
9	59380010	2
10	30867057	2
11	31461013	2
12	38621238	4
13	50280871	2
14	50280829	2
15	38622016	2
16	50280872	2
17	31461021	2
18	30851931	2
19	59380873	6
20	30392021	6
21	38622410	2

PART NO.	DESCRIPTION	
2	3x10 (restrictor)	2
2	1.125x4.0	2
2	1x4	4
4	.188x1.50	8
6	1.0621.D.x2.00.D.x	6
6	.125 chk.	6
2	1.0x2.50	2
2	.178x3.563	2
2	.750x4.50	2
2	.813	2
4	.50NPTF (M) x .563-18 (M)	4
2	JIC	2
2	.2501.D.x52	2
2	.2501.D.x44	2
2	.563-18 (M) JIC	2
2	.2501.D.x180	2
2	1.1881.D.x2.7500.D.x	2
2	.165 thk.	2
2	.250x1.750	2
6	#12	6
6	.563-18JIC (M) x .50NPTF	6
2	(M)	2



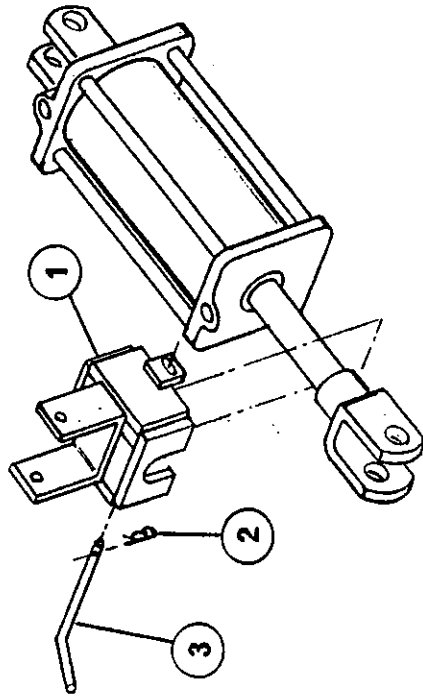
SHARES

	PART NO.	DESCRIPTION
1	59280693	1.375 (35mm) x.25 (6.25 mm)
	59280694	1.500 (40mm) x.25 (6.25 mm)
2	59280695	2.750 (70mm) x.18 (4.75 mm)
	59280696	2.750 (70mm) x.25 (6.25 mm)
3	59280697	4.00 (101mm) x.18 (4.75 mm)
4	59280698	4.00 (101mm) x.25 (6.25 mm)
5	59280699	7.00 (178mm) x.18 (4.75 mm)
	59280700	Gross share

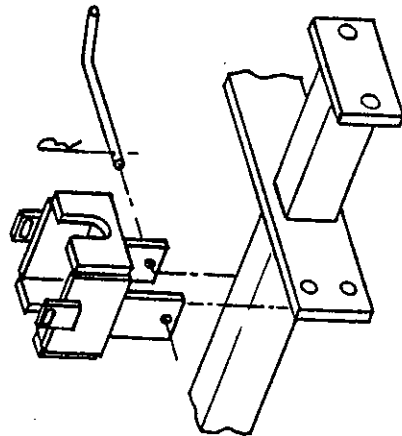


TRANSPORT BLOCK

PART NO.	DESCRIPTION	
1	59210340	1
2	59380010	3.375
3	30258060	.50x7.38



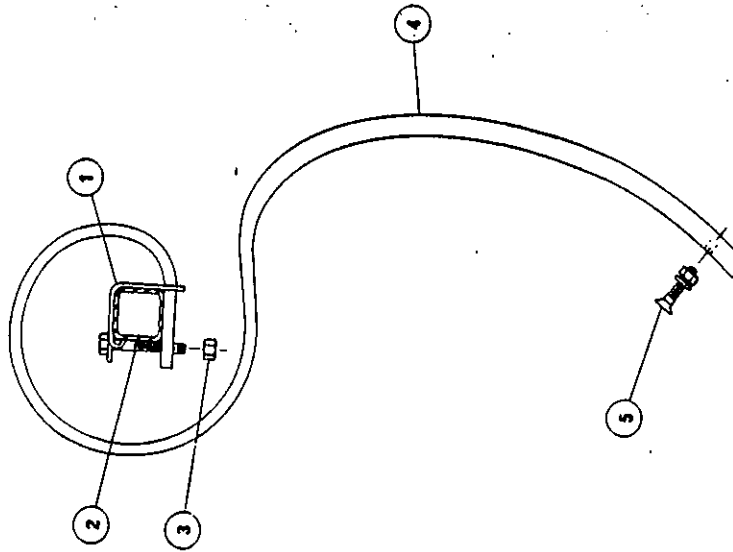
TRANSPORT POSITION



STORAGE POSITION

TINES

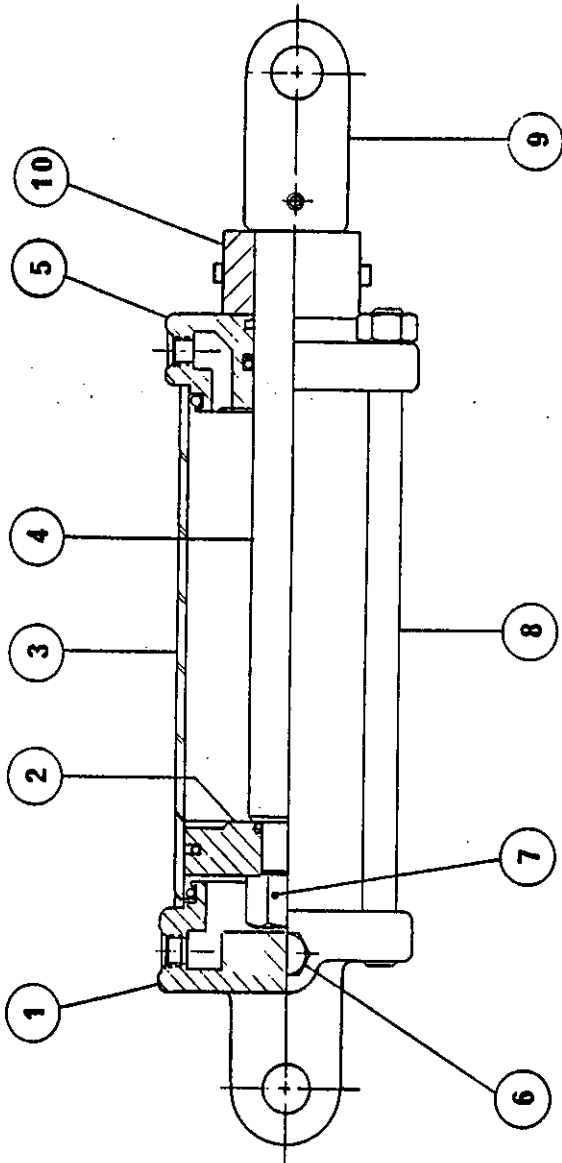
	PART NO.	DESCRIPTION
1	59263126	12x32mm
	59263127	12x38mm
	59263128	12x45mm
2	30279091	.50-13x3.50
3	30564800	.50-13 (locknut)
4	59280675	12mmx32mmS.C.
	59280676	10mmx32mmS.C.
	59280677	12mmx32mmH.C.
	59280678	12mmx38mmH.C.
	59280679	12mmx45mmH.C.





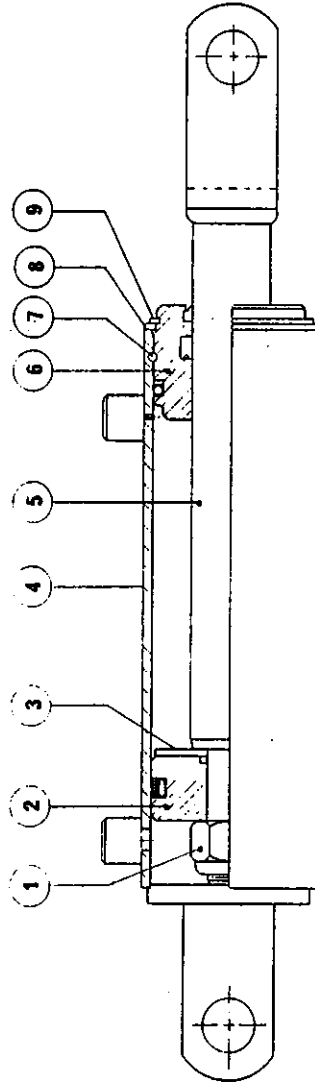
HYDRAULIC CYLINDER  
WHEEL LIFT

PART NO.	DESCRIPTION	
59280858	4.08x8.05	1
59280924		1
50280733		1
59280874		1
50280875		1
50280837		1
50280838		1
50280724		1
59280719		4
59280719		4
59280876	Seal Kit	1
57880839		1



HYDRAULIC CYLINDER  
WING LIFT

PART NO.	DESCRIPTION	
59281306	3.0x10	1
50280755		1
50280748		1
50280749		1
59280879		1
50280880		1
50280754		1
50280760		1
50280761		1
50280753		1
57880877	Seal Kit	1





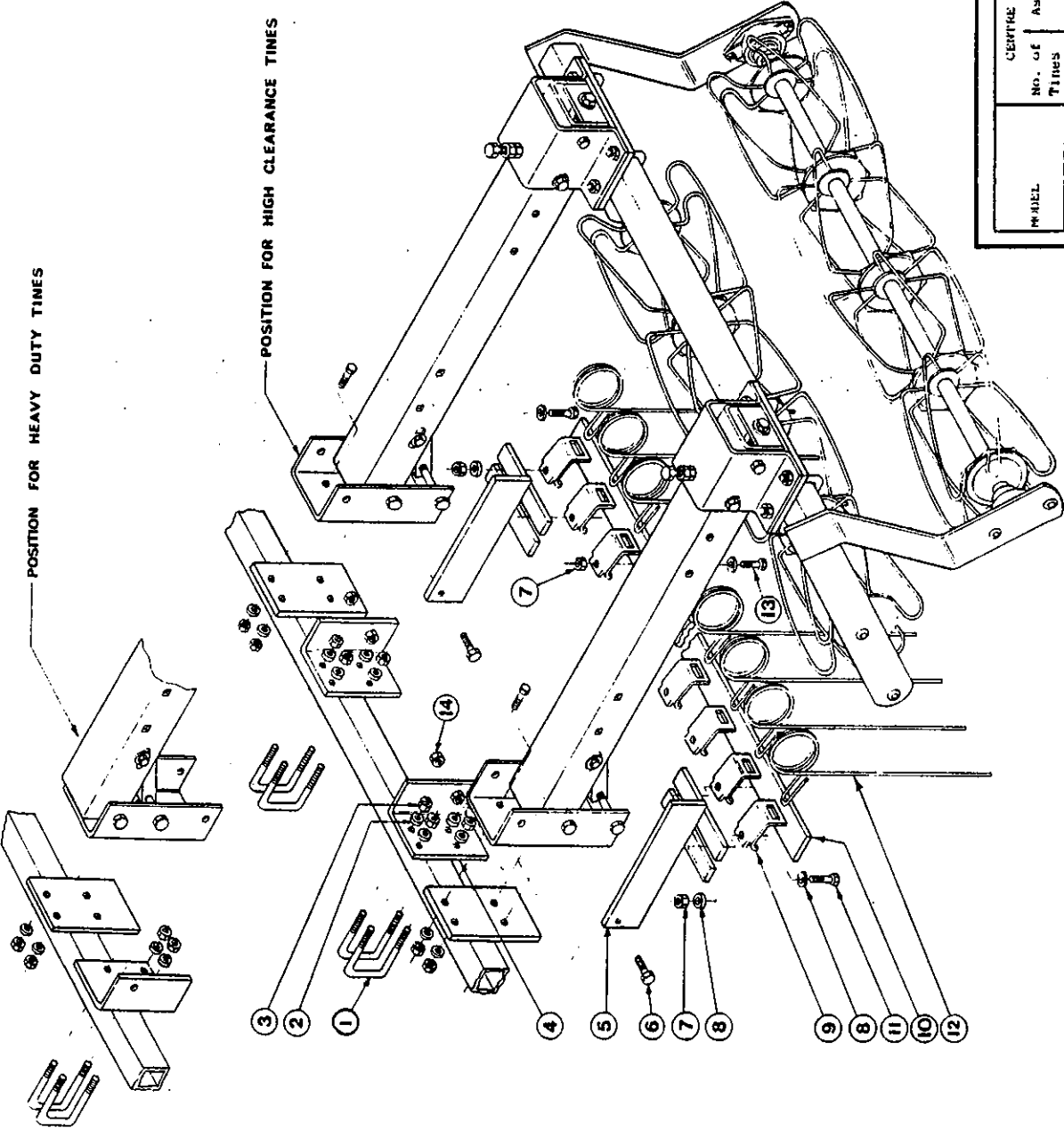


**OPTIONAL EQUIPMENT**

**LONG FINGER DIMENSIONS**

PART NO.	DESCRIPTION	
1	5934010R	4
2	31451701	8
3	30589002	2
4	59210326	2
5	59230327	2
6	30279087	2
7	30564800	2
8	31461018	2
9	59263159	2
10	**	2
11	30279087	1
12	59263159	4
13	30279087	4
14	30589004	2

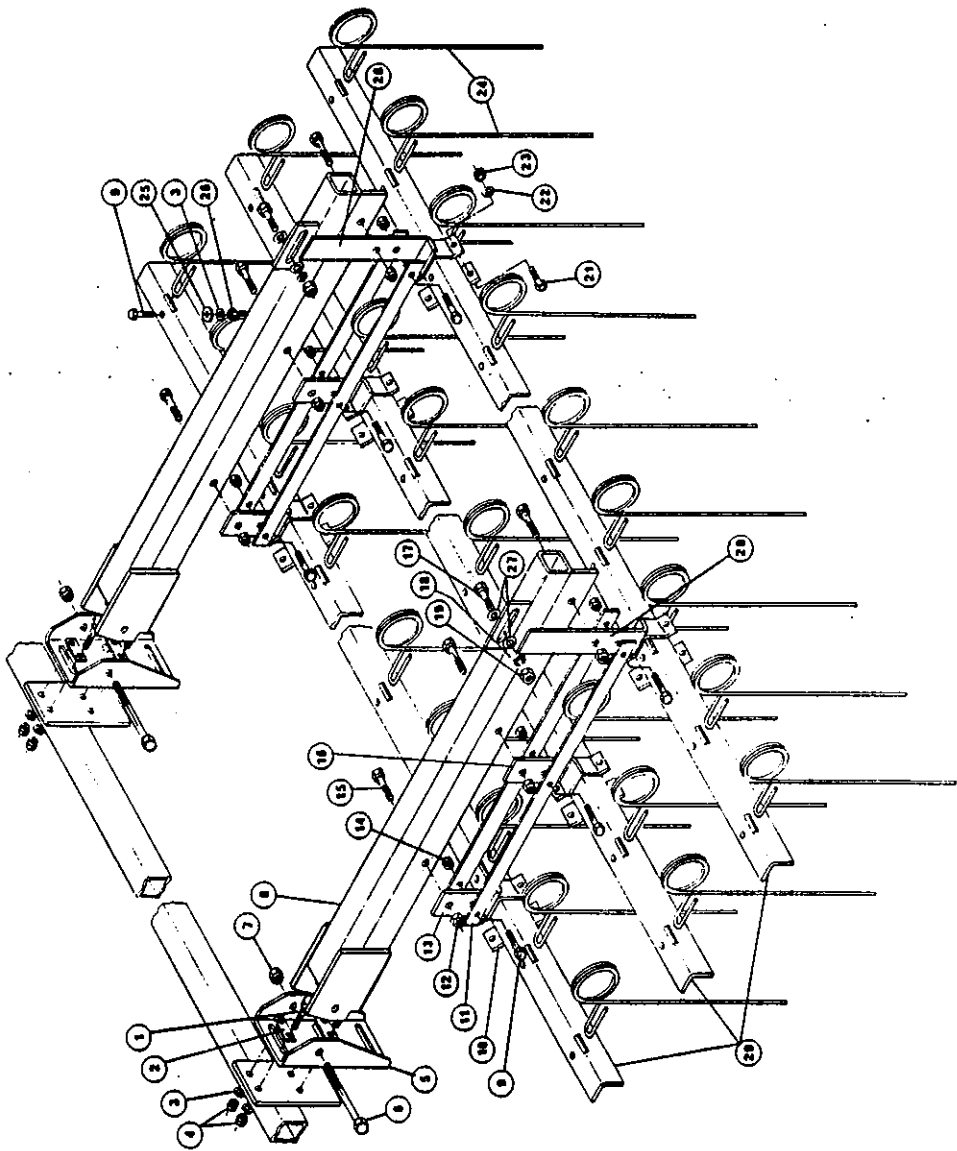
\*Key, as required  
 \*\*See chart below for list number.



MODEL	CENTRE SECTION PAIR		WING PAIR	
	No. of Tines	Bar Number	No. of Tines	Bar No.
FC1500T-11.0	34	59263175	16	59263176
FC1500T-13.8	42	59263177	24	59263122
FC1500T-16.4	34	59263175	16	59263176
FC1500T-19.0	34	59263175	24	59263122

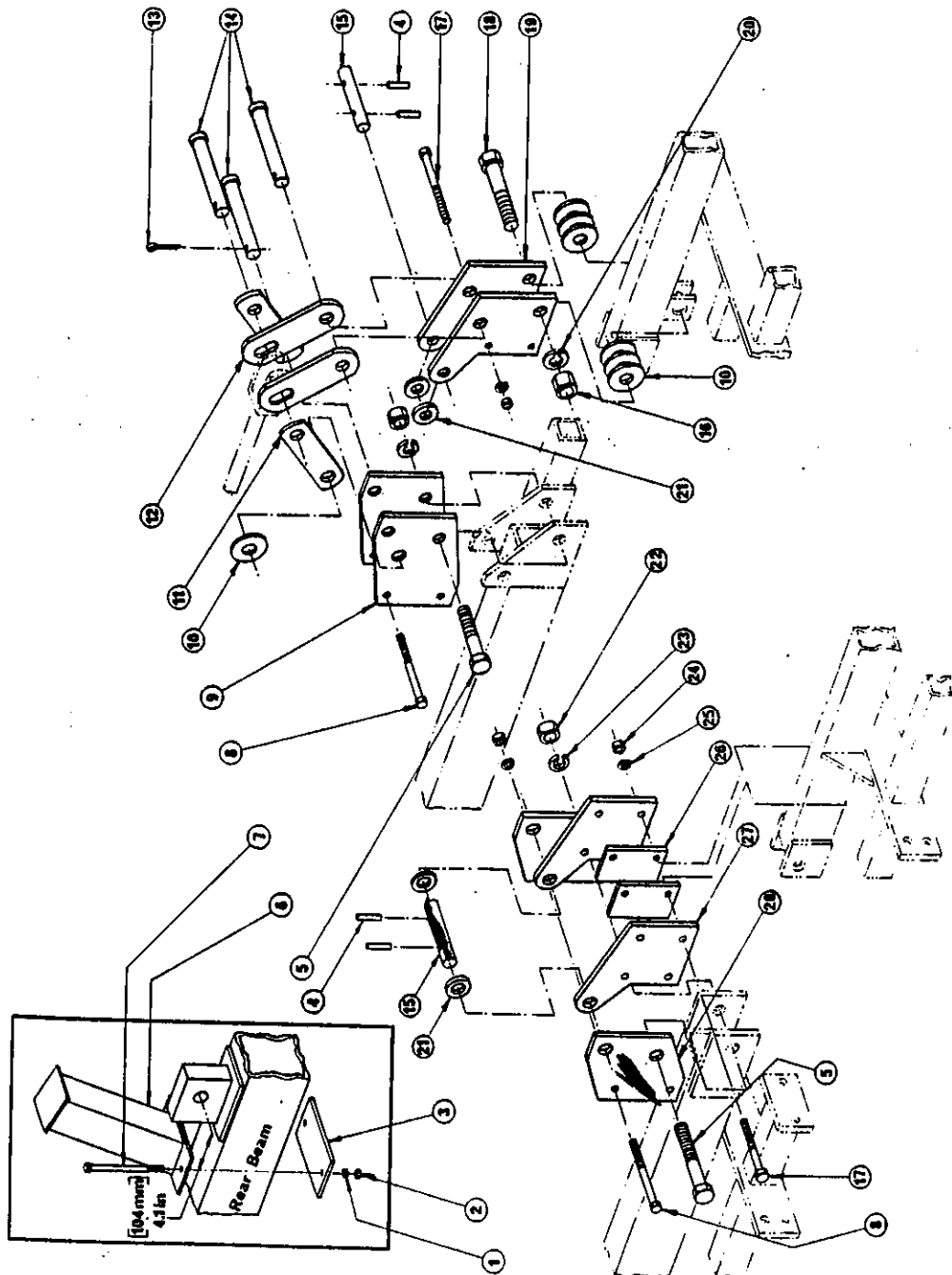
1. NAME PLATE MARKINGS

MARKING	DESCRIPTION	QTY	UNIT	REMARKS
1	57-1000-1481-75	1	1	
2	57-1000-1481-75	1	1	
3	57-1000-1481-75	1	1	
4	57-1000-1481-75	1	1	
5	57-1000-1481-75	1	1	
6	57-1000-1481-75	1	1	
7	57-1000-1481-75	1	1	
8	57-1000-1481-75	1	1	
9	57-1000-1481-75	1	1	
10	57-1000-1481-75	1	1	
11	57-1000-1481-75	1	1	
12	57-1000-1481-75	1	1	
13	57-1000-1481-75	1	1	
14	57-1000-1481-75	1	1	
15	57-1000-1481-75	1	1	
16	57-1000-1481-75	1	1	
17	57-1000-1481-75	1	1	
18	57-1000-1481-75	1	1	
19	57-1000-1481-75	1	1	
20	57-1000-1481-75	1	1	
21	57-1000-1481-75	1	1	
22	57-1000-1481-75	1	1	
23	57-1000-1481-75	1	1	
24	57-1000-1481-75	1	1	
25	57-1000-1481-75	1	1	
26	57-1000-1481-75	1	1	
27	57-1000-1481-75	1	1	
28	57-1000-1481-75	1	1	
29	57-1000-1481-75	1	1	
30	57-1000-1481-75	1	1	
31	57-1000-1481-75	1	1	
32	57-1000-1481-75	1	1	
33	57-1000-1481-75	1	1	
34	57-1000-1481-75	1	1	
35	57-1000-1481-75	1	1	
36	57-1000-1481-75	1	1	
37	57-1000-1481-75	1	1	
38	57-1000-1481-75	1	1	
39	57-1000-1481-75	1	1	
40	57-1000-1481-75	1	1	
41	57-1000-1481-75	1	1	
42	57-1000-1481-75	1	1	
43	57-1000-1481-75	1	1	
44	57-1000-1481-75	1	1	
45	57-1000-1481-75	1	1	
46	57-1000-1481-75	1	1	
47	57-1000-1481-75	1	1	
48	57-1000-1481-75	1	1	
49	57-1000-1481-75	1	1	
50	57-1000-1481-75	1	1	
51	57-1000-1481-75	1	1	
52	57-1000-1481-75	1	1	
53	57-1000-1481-75	1	1	
54	57-1000-1481-75	1	1	
55	57-1000-1481-75	1	1	
56	57-1000-1481-75	1	1	
57	57-1000-1481-75	1	1	
58	57-1000-1481-75	1	1	
59	57-1000-1481-75	1	1	
60	57-1000-1481-75	1	1	
61	57-1000-1481-75	1	1	
62	57-1000-1481-75	1	1	
63	57-1000-1481-75	1	1	
64	57-1000-1481-75	1	1	
65	57-1000-1481-75	1	1	
66	57-1000-1481-75	1	1	
67	57-1000-1481-75	1	1	
68	57-1000-1481-75	1	1	
69	57-1000-1481-75	1	1	
70	57-1000-1481-75	1	1	
71	57-1000-1481-75	1	1	
72	57-1000-1481-75	1	1	



HINGE CONVERSION KIT

PART NO.	DESCRIPTION	
1	31451601	.375
2	30589600	.375-16
3	59250543	
4	30819010	.250x1.75
5	30279168	.875-9x5.50
6	59210912	
7	30279057	5-.375-16x5.00
8	30279097	5-.500-13x5.50
9	59463780	1.062
10	31461018	
11	59250540	
12	59250541	
13	30851924	.168x1.50
14	30867044	1.00x6.00
15	59150544	
16	30589004	1.00-8
17	30279094	5-.500-13x4.50
18	30279179	5-1.000-8x5.00
19	59463779	"C"
20	31451910	1.00
21	31461951	.938
22	30589930	.875-9
23	31451002	.875
24	30589800	.500-13
25	31451801	.500
26	59450542	"A"
27	59463777	"B"
28	59463778	



4" ESPACEMENT POUR  
VIBRO 2150

