



OPERATOR'S / PARTS MANUAL



Dump Trailers **Models**

P-509-60

P-511-60

P-50711/4E

VISIT OUR WEBSITE



www.pronovost.qc.ca

Copyright © Les Machineries Pronovost Inc., 2003

All rights reserved.

Printed in Canada.

TABLE OF CONTENTS

Section	Item	Page
1	Introduction	5
2	Safety	6
	General Safety	6
	Safety in Operation	6
	Safety with Maintenance	7
	Safety in Transport	7
	Safety in Storage	7
3	Decals	8
	Safety Decals	8
	Maintenance Decals	8
4	Start-up	9
	Basic Start-up Procedures	9
5	Maintenance	10
6	Storage	11
7	Specifications	12
8	Parts List	13
	Dump Trailers P-509-60	13
	Dump Trailers P-511-60	15
	Dump Trailers P-50711/4E	17
	Electric Hydraulic Pump P-510-PHE	20
	Electric Circuit	21
	Hub H4000	22
	Hub H5000	23
	Cylinder 35TR20	24
	Power Pack 51536	25
9	Torque Chart	27
10	Warranty	28

INTRODUCTION

1

CONGRATULATIONS!

Thank you for choosing PRONOVOST. We are confident this equipment will meet your requirements in terms of quality, performance and reliability.

This manual was prepared to assist you in the safe operation of your new Dump Trailer. It contains important information which will help you achieve excellent returns with your PRONOVOST Dump Trailer for years to come.

Please read this manual before operating your Trailer and keep it for future reference.

Before using this equipment, you or any other person who will be using it must familiarize yourself with the safety recommendations, the operating and safety instructions. Please read carefully and be sure to understand and follow all recommendations and procedures.

In this manual, the right and left sides are identified while standing at the rear end of the equipment and facing it.

If you require additional information on your Dump Trailer, please contact your PRONOVOST Dealer.

NOW take a moment to enter the model, serial number and the date of purchase of your Trailer in the space provided below.

When ordering parts from your Dealer, please refer to these numbers for a fast and efficient service. Use PRONOVOST parts for replacement.

The model and serial numbers are on the name plate shown on Fig. 1.



Figure 1

MODEL: _____ ✍

SERIAL NO: _____ ✍

DATE OF PURCHASE: _____ ✍

SAFETY

GENERAL SAFETY

2

WHEN YOU SEE THIS SYMBOL



ATTENTION!

**BE ALERT
YOUR SAFETY IS INVOLVED**

This symbol "SAFETY ALERT" is used in this manual and on the safety decals on the Trailer. It warns you of the possibility of danger. Carefully read, understand and follow all safety recommendations before operating the equipment.

- 1) Careful operation is the best assurance against accidents. Carefully read this manual and follow all recommendations before operating this equipment. It is the owner's responsibility to make sure that anyone who will operate the Trailer will read this manual before operating the equipment.
- 2) Do not modify the equipment. Any non authorized modification may affect the efficiency and/or safety of the equipment.
- 3) Never operate the equipment with defective parts or if damaged in any way. Have it repaired before using it.
- 4) Make sure all fasteners are in place and properly secured or tightened. Refer to torque chart on page 27.

- 5) Hydraulic fluids under pressure can damage your skin. Do not use your hands to locate a leak.

SAFETY IN OPERATION

- 1) **WARNING!** Do not overload your trailer, do not exceed the load capacity indicated in the specifications on page 12.
- 2) Be sure there are no obstructions around the equipment and that no one stands near the equipment when in use.
- 3) Do not operate an engine in a confined or non ventilated area.
- 4) Do not perform any adjustments, cleaning, maintenance or repairs with the engine running on the towing vehicle. Preferably remove the key from the ignition.
- 5) Be careful when backing-up, make sure you have good visibility.
- 6) Do not forget to unlock the proper panel before dumping.
- 7) Always travel at a safe operating speed following regulations and common sense. In the case of agricultural service tires, follow the manufacturer's specified safe speed. The road speed should be such as to maintain full control over steering and braking.

SAFETY (cont'd)

SAFETY WITH MAINTENANCE

- 1) Perform maintenance according to recommendations contained in this manual.
 - 2) **Before performing any work under the raised platform, always install the safety prop provided.**
 - 3) If the trailer is hooked up to the tractor while performing maintenance work, make sure the engine is not running and preferably remove the ignition key.
- 2) Be alert while driving on the road. Never carry passengers.

2

SAFETY IN TRANSPORT

- 1) On public roads, use proper safety lights and check local regulations.

DECALS

SAFETY DECALS

The safety decals are affixed wherever special safety precautions are indicated. Locate them on the equipment and read them carefully. If a decal is damaged, lost or illegible, install a new one. The following photos indicate where each one must be installed.

3

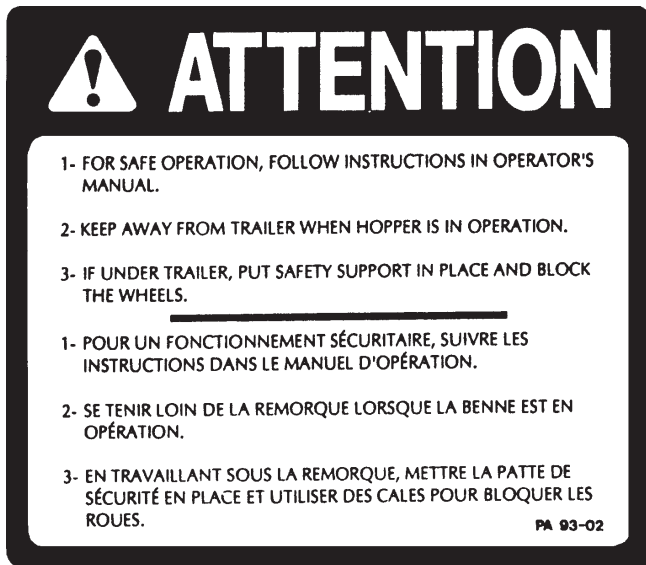


Figure 2
Decal A Part no.: A110



Figure 3

MAINTENANCE DECALS

The maintenance decals indicate the points requiring lubrication. Refer to maintenance section for more details.



Figure 4 Part no.: A 105



Figure 5 Part no.: A 106

START-UP

BASIC START-UP PROCEDURES

- 1) Lubricate all grease fittings with a good quality multiuse grease.
- 2) Lubricate panel release mechanism, front and rear with good quality oil.
- 3) Adjust tire pressure to manufacturer's specifications.
- 4) Install wheels on hubs.
- 5) Install panels.
- 6) Install all hydraulic hoses and fittings compatible with your equipment.
- 7) Verify for adequate tightness of all fastening devices. Refer to torque chart on page 27.
- 8) Operate the hydraulic system a few times, raising and lowering the platform in order to remove any trapped air in the system. Then check the oil level in the tractor's hydraulic oil reservoir.
- 9) Do not forget to unlock the proper panel before dumping.

4

MAINTENANCE

Before performing any work under the raised platform, always install the safety prop provided.

- 1) Wipe off all grease fittings with a clean cloth before adding grease in order to avoid injecting dirt or sand.
- 2) Repair or replace damaged grease fittings.
- 3) Lubricate all grease fittings every 20 hours of operation.
- 4) Check all bolts on wheels after first 5 hours of operation and then every 50 hours of operation.
- 5) Lubricate panel release mechanism, front and rear, every 20 hours of operation.
- 6) Check tire pressure every 50 hours of operation, adjust according to manufacturer's recommendation indicated on the tires.
- 7) Open, clean and lubricate wheel bearings once a year.
- 8) Check all nuts and bolts once a year. If necessary use torque chart on page 27.

5

STORAGE

- 1) Store in a cool, dry place.
- 2) Install wooden blocks under the axles to keep the tires off the ground and cover them if left exposed to the sun.
- 3) Keep all piston rods in the retracted position. This will assure better protection against the elements.
- 4) Clean your trailer.
- 5) Thoroughly inspect all parts of the trailer. Replace or repair worn or defective parts.
- 6) Touch-up or repaint if necessary.
- 7) Lubricate all points before storage.

SPECIFICATIONS

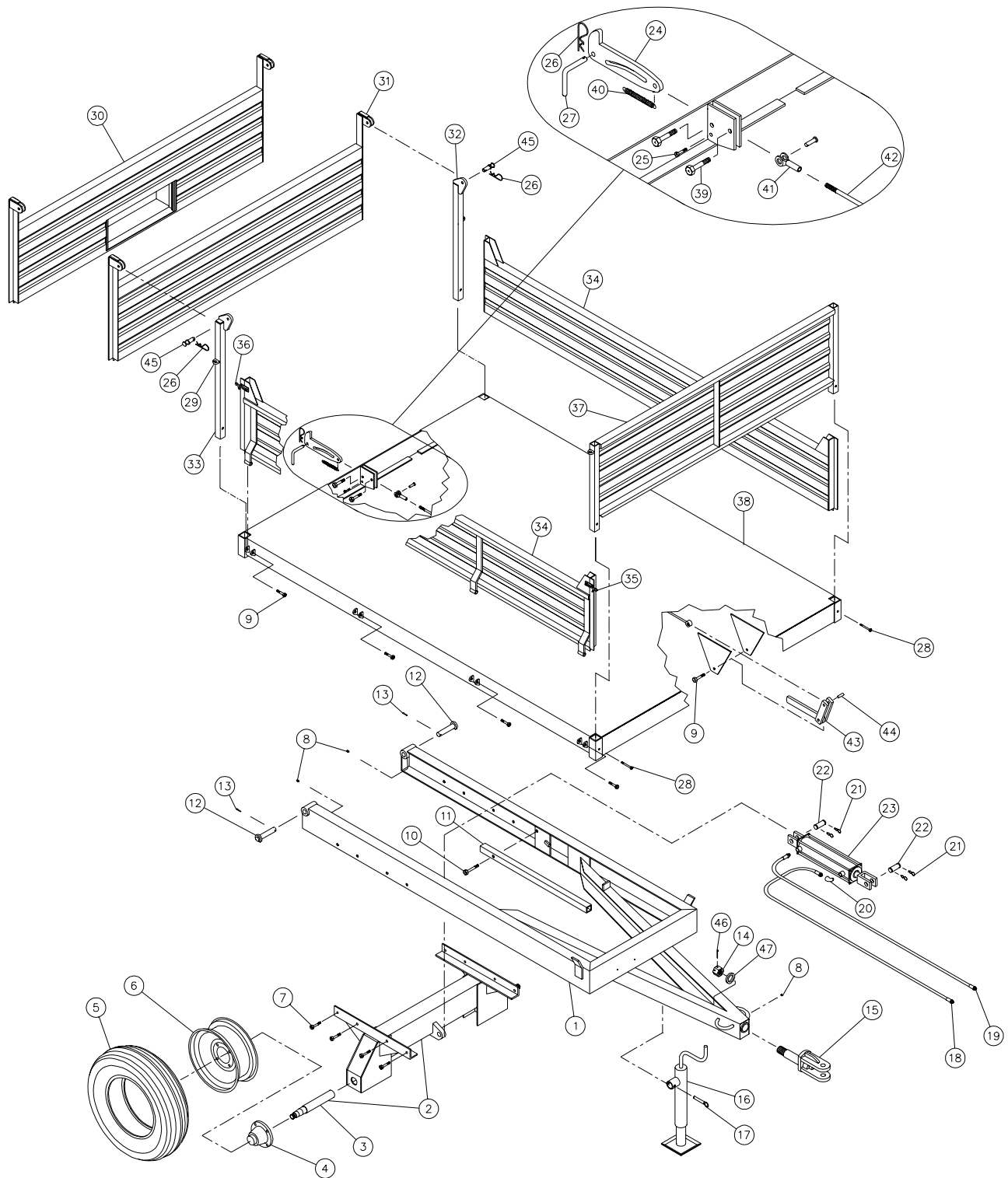
SERVICE	OFF-ROAD	OFF-ROAD	HIGHWAY
MODEL	P-509-60	P-511-60	P-50711/4E
Gross weight	8000 lbs / 3632 kg	10000 lbs / 4540 kg	7000 lbs / 3178 kg
Width x length interior of box in/mm	71 x 105 / 1803 x 2667	71 x 105 / 1803 x 2667	71 x 105 / 1803 x 2667
Thickness of floor	3/16" / 4.78 mm	3/16" / 4.78 mm	3/16" / 4.78 mm
Side panel height 12G*	14" / 356 mm	14" / 356 mm	14" / 356 mm
Front/back panel height 12G*	19" / 483 mm	19" / 483 mm	19" / 483 mm
Platform height	33" / 838 mm	33" / 838 mm	33" / 838 mm
Overall length	147" / 3734 mm	147" / 3734 mm	147" / 3734 mm
Overall width	76 1/4" / 1937 mm	76 1/4" / 1937 mm	76 1/4" / 1937 mm
Overall height	63" / 1625 mm	63" / 1625 mm	63" / 1625 mm
Free height / maximum lift	14" / 356 mm	14" / 356 mm	14" / 356 mm
Thread width	60" / 1524 mm	60" / 1524 mm	61 1/2" / 1562 mm
Dumping angle (back)	47°	47°	47°
Dumping angle (2 sides)	--	--	--
Central unloading hatch	option	option	option
Axle	single	tandem	double
Suspension	--	--	Springs
Hubs	6 bolts	6 bolts	5 bolts
Hub capacity	5000 lbs / 2270 kg	4000 lbs / 1816 kg	1750 lbs / 795 kg
Spindles	2" / 51 mm	1 3/4" / 44 mm	--
Wheels	2	4	4
Wheels dimensions	15 x 8 x 6	15 x 6 x 6	14 x 6 x 5
Tires (standards)	11L15 (8 plys)	11L15 (8 plys)	ST205/75R14 (6 plys)
Hitch: clevis/swivel	standard	standard	option
Hitch: ball coupler 2 5/16" / 59 mm	option	option	standard
Electric brakes	--	--	standard
Security chain	option	option	standard
Electric power pack	option	option	option
Battery 12V	option	option	standard
Light system (12 V)	--	--	standard
Oil / volume required	--	--	--
Cylinder	1 double acting	1 double acting	1 double acting
Hitch weight (empty)	135 lbs / 61 kg	135 lbs / 61 kg	125 lbs / 57 kg
Total weight	1815 lbs / 824 kg	1890 lbs / 858 kg	1925 lbs / 875 kg

Design and specifications subject to change without notice.

* Removables.

DUMP TRAILER P-509-60

170-02231



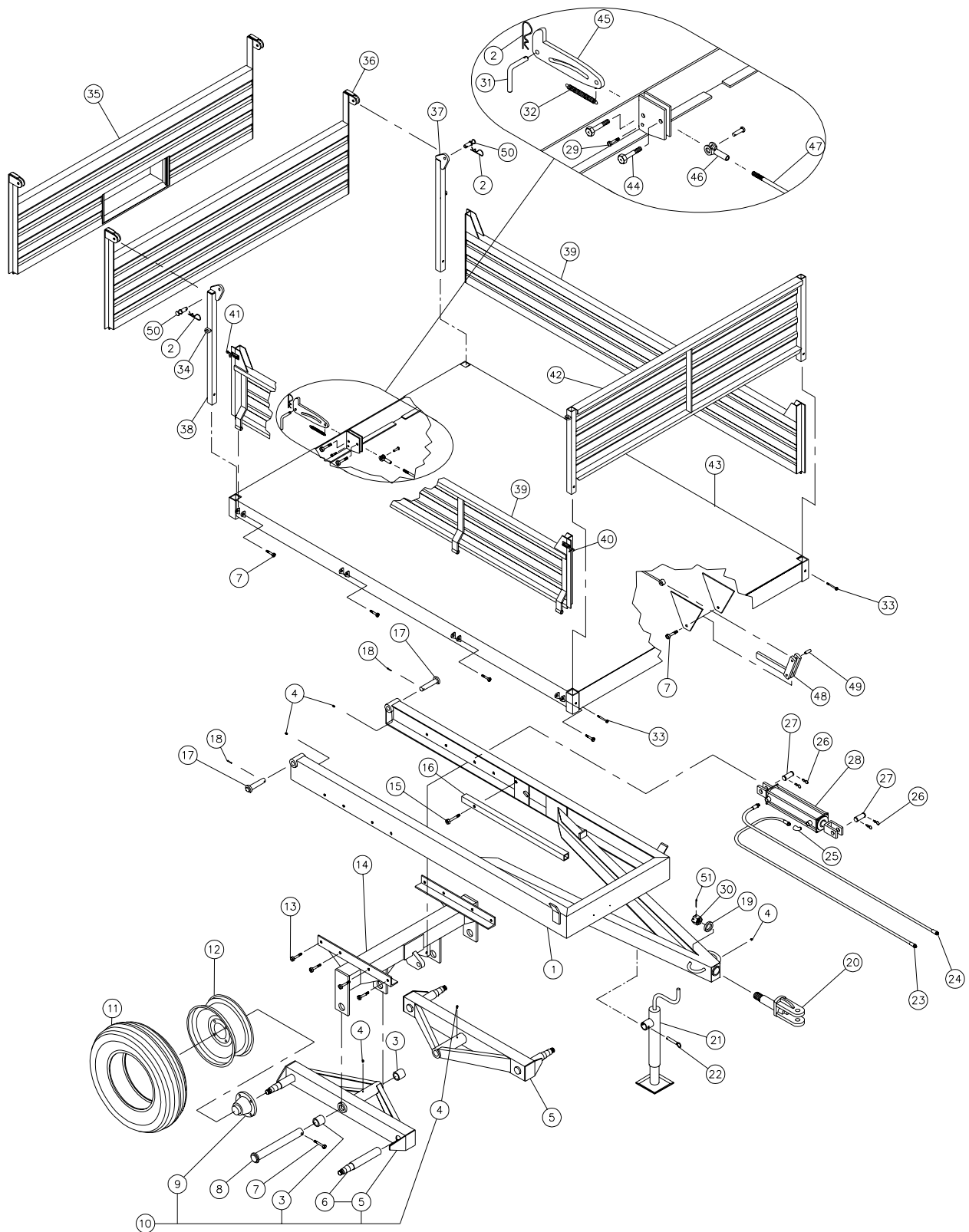
8

DUMP TRAILER P-509-60

REF.	PART #	DESCRIPTION	QTY
1	120-01141	Main frame	1
2	110-09111	Cross-beam (up to serial # 8240)	1
2	110-09113	Cross-beam (from serial # 8241 and up)	1
3	150-00311	Axle 2" ϕ (welded) (up to serial # 8240)	2
3	150-00312	Axle 2 1/4" ϕ (welded) (from serial # 8241 and up)	2
4	51441	Complete hub assembly H-5000	2
5	PN11L15	Tire 11L15 8-plys with tube	2
6	R1586	Rim 15" x 8" - 6 holes	2
7	300-40310	Bolt 1/2" NC x 1 1/2" lg + nylon locknut	8
8	Std.	Grease fitting 1/4" - 28 straight	3
9	300-40400	Bolt 1/2" NC x 3" lg + nylon locknut	9
10	300-44400	Bolt 5/8" x 3" lg + nylon locknut	1
11	160-04721	Safety prop	1
12	110-08971	Clevis 1" ϕ x 5 1/4" lg	2
13	Std.	Cotter pin 1/4" x 2" lg	2
14	Std.	Castle nut 1 1/2" NC	1
15	110-08991	Swivel hitch	1
16	51490	Jack 3000 lbs	1
17	51408	Pin for jack	1
18	190-00651	Hose 3/8" x 170" lg + 2 fittings 6U-108	1
19	190-00661	Hose 3/8" x 158" lg + 2 fittings 6U-108	1
20	C3409x8	Elbow 90° x 1/2" NPT - MF	1
21	Std.	Hitch pin clip 3/16"	4
22	150-01841	Clevis pin 1" ϕ x 3 1/8" lg	2
23	35TR20	Cylinder 35TR20	1
24	130-16211	Rear panel lock	1
25	300-34340	Bolt 5/16" NC x 2" lg + nylon locknut	1
26	Std.	Hitch pin clip 1/8" x 2 9/16" lg	3
27	150-02861	Pin for rear locking mechanism	1
28	300-36370	Bolt 3/8" NC x 2 1/2" lg + nylon locknut & flat washer	4
29	51583	Ring for side panel lock (welded)	4
30	120-01722	Rear panel with grain door	opt.
31	110-09072	Standard rear panel	1
32	110-14461	Left rear stake	1
33	110-14391	Right rear stake	1
34	110-09091	Side panel	2
35	51584-D	Side panel lock (R.H.) (welded)	2
36	51584-G	Side panel lock (L.H.) (welded)	2
37	110-09082	Front panel	1
38	120-01662	Platform	1
39	300-40340	Bolt 1/2" NC x 2" lg + nylon locknut	2
40	190-02351	Spring 3/4" x 4 1/2" lg	1
41	51435	Yoke 1/2" NF + nut 1/2" NF + clevis pin 1/2" ϕ x 1 3/4" lg & cotter pin 1/8" x 3/4" lg	1
42	110-14361	Rod 1/2" for rear panel lock	1
43	110-14271	Lever for automatic locking mechanism	1
44	150-02761	Pin 1/2" x 1 1/2" lg	1
45	150-02851	Hinge pin for rear panel	2
46	Std.	Goupille fendue 1/4" x 3"	1
47	130-20331	Flat washer 1 5/8" i.d. x 2 1/4" o.d.	1

DUMP TRAILER P-511-60

170-02221



8

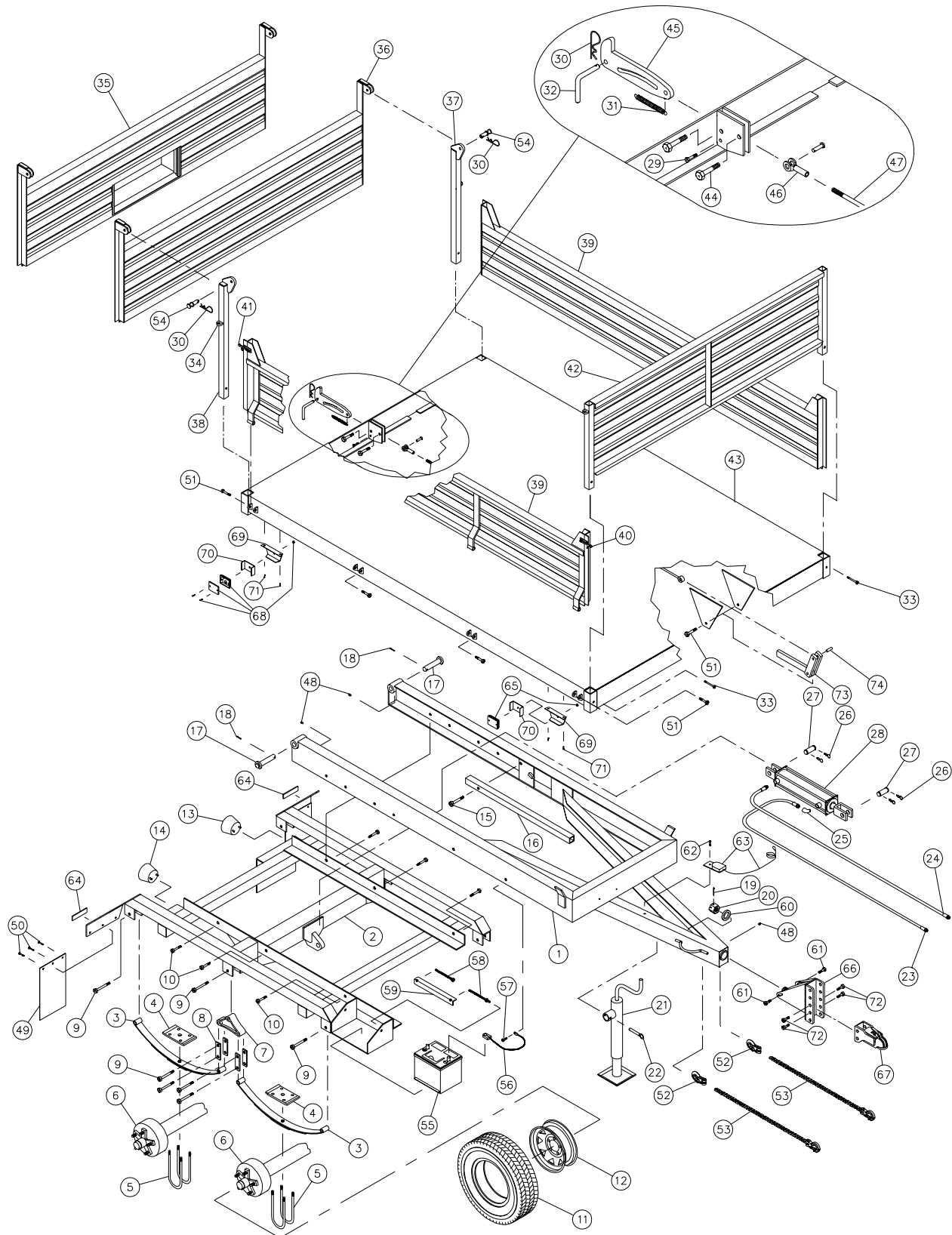
DUMP TRAILER P-511-60

REF.	PART #	DESCRIPTION	QTY
1	120-01141	Main frame	1
2	Std.	Hitch pin clip 1/8" x 2 9/16" lg	3
3	160-01091	Brass bushing 1 3/4" i.d. x 2" o.d. x 2" lg	4
4	Std.	Grease fitting 1/4" - 28 straight	5
5	110-11411	Tandem frame (up to serial # 8245)	2
5	110-11412	Tandem frame (from serial # 8246 and up)	2
6	150-02281	Axle 1 3/4" ø x 12 1/4" lg (welded)	4
6	150-02282	Axle 2" ø x 12 1/4" lg (welded)	4
7	300-40400	Bolt 1/2" NC x 3" lg + nylon locknut	11
8	110-00011	Pin for tandem 1 3/4" ø x 15 1/4" lg	2
9	51503	Complete hub assembly H-4000	4
10	110-11413	Tandem assembly (up to serial # 8245)	2
10	110-11414	Tandem assembly (from serial # 8246 and up)	2
11	PN-11L15	Tire 11L15 - 8 plys with tube	4
12	R1586	Rim 15" x 8" - 6 holes	4
13	300-40310	Bolt 1/2" NC x 1 1/2" lg + nylon locknut	8
14	110-11571	Cross-beam	1
15	300-44400	Bolt 5/8" NC x 3" lg + nylon locknut	1
16	160-04721	Safety prop	1
17	110-08971	Clevis pin 1" ø x 5 1/4" lg	2
18	Std.	Cotter pin 1/4" x 2" lg	2
19	130-20331	Flat washer 1 5/8" i.d. x 2 1/4" o.d.	1
20	110-08991	Swivel hitch	1
21	51490	Jack 3000 lbs	1
22	51408	Pin for jack	1
23	190-00651	Hose 3/8" x 170" lg + 2 fittings 6U-108	1
24	190-00661	Hose 3/8" x 158" lg + 2 fittings 6U-108	1
25	C3409x8	Elbow 90° x 1/2" NPT - MF	1
26	Std.	Hitch pin clip 3/16"	4
27	150-01841	Clevis 1" ø x 3 1/8" lg	2
28	35TR20	Cylinder 35TR20	1
29	300-34340	Bolt 5/16" NC x 2" lg + nylon locknut	1
30	Std.	Castle nut 1 1/2" NC	1
31	150-02861	Pin for rear locking mechanism	1
32	190-02351	Spring 3/4" x 4 1/2" lg	1
33	300-36370	Bolt 3/8" NC x 2 1/2" lg + nylon locknut & flat washer	4
34	51583	Ring for side panel lock (welded)	4
35	120-01722	Rear panel with grain door	opt.
36	110-09072	Standard rear panel	1
37	110-14461	Left rear stake	1
38	110-14391	Right rear stake	1
39	110-09091	Side panel	2
40	51584-D	Side panel lock (R.H.) (welded)	2
41	51584-G	Side panel lock (L.H.) (welded)	2
42	110-09082	Front panel	1
43	120-01662	Platform	1
44	300-40340	Bolt 1/2" NC x 2"lg + nylon locknut	2
45	130-16211	Rear panel lock	1
46	51435	Yoke 1/2" NF + nut 1/2" NF + clevis pin 1/2" ø x 1 3/4" lg & cutter pin 1/8" x 3/4" lg	1
47	110-14361	Rod 1/2" for rear panel lock	1
48	110-14271	Lever for automatic locking mechanism	1
49	150-02761	Pin 1/2" x 1 1/2" lg	1
50	150-02851	Hinge pin for rear panel	2
51	Std.	Cotter pin 1/4" x 3" lg	1

8

DUMP TRAILER P-50711/4E

170-02245



8

DUMP TRAILER P-50711/4E

REF.	PART #	DESCRIPTION	QTY
1	120-01141	Main frame for P-50711/4E	1
2	120-02291	Highway running gear support for P-511	1
3	51600	Spring	4
4	51599	Spring back plate	4
5	Std.	"U" bolt 1/2" - 20 x 3" x 7" + 2 nylon locknut	8
6	110-11521	Road axle with hub and brakes (source locally)	2
7	51602	Pivot	2
8	51601	Pivot plates	8
9	300-42400	Bolt 9/16" NC x 3" lg + nylon locknut	14
10	300-40310	Bolt 1/2" NC x 1 1/2" lg + nylon locknut	6
11	PN-2057514	Tire P205/75R14	4
12	RM1465	Rim 14 x 6 - 5 bolts	4
13	32228	Left rear flasher with light for licence plate	1
14	32229	Right rear flasher	1
15	300-44400	Bolt 5/8" NC x 3" lg + nylon locknut	1
16	160-04721	Safety prop	1
17	110-08971	Clevis pin 1" dia. x 5 1/4" lg	2
18	Std.	Cutter pin 1/4" dia. x 2" lg	2
19	Std.	Cotter pin 1/4" dia. x 3" lg	1
20	357-57000	Castle nut 1 1/2" NC	1
21	51490	Jack 3000 lbs	1
22	51408	Pin for jack	1
23	190-00651	Hose 3/8" x 170" lg + 2 fittings 6U-108	1
24	190-00661	Hose 3/8" x 158" lg + 2 fittings 6U-108	1
25	C3409x8	Elbow 90° x 1/2" NPT - MF	1
26	Std.	Hitch pin clip 3/16"	4
27	150-01841	Clevis pin 1" ø x 3 1/8" lg	2
28	35TR20	Cylinder 3 1/2" dia. x 20"	1
29	300-34325	Bolt 5/16" NC x 2" lg + nylon locknut	1
30	Std.	Hitch pin clip 1/8" x 2 9/16" lg	3
31	190-02351	Spring 3/4" x 4 1/2" lg	1
32	150-02861	Pin for rear locking mechanism	1
33	300-36370	Bolt 3/8" NC x 2 1/2" lg + nylon locknut & flat washer	4
34	51583	Ring for side panel lock (welded)	4
35	120-01722	Rear panel with grain door	opt.
36	110-09072	Standard rear panel	1
37	110-14461	Left rear stake	1
38	110-14391	Right rear stake	1
39	110-09091	Side panel	2
40	51584-D	Side panel lock (R.H.) (welded)	2
41	51584-G	Side panel lock (L.H.) (welded)	2
42	110-09082	Front panel	1
43	120-01662	Platform for P-50711/4E	1
44	300-40340	Bolt 1/2" NC x 2"lg + nylon locknut	2
45	130-16211	Rear panel lock	1
46	51435	Yoke 1/2" NF + nut 1/2" NF + clevis 1/2" ø x 1 3/4" lg & cutter pin 1/8" x 3/4" lg	1
47	110-14361	Rod 1/2" for rear panel lock	1
48	Std.	Grease fitting 1/4" - 28 straight	3
49	51612	Mudguard 8" x 14"	2
50	300-32250	Bolt 1/4" NC x 1" lg + nylon locknut & flat washer	6
51	300-40400	Bolt 1/2" NC x 3" lg + nylon locknut	8
52	54070	Hook with safety lock	2
53	54064	Chain 5/16" (10000 lbs) + hook with safety lock	2
54	150-02851	Hinge pin for rear panel	2
55	51614	Battery 12 V 850 Amp.	1

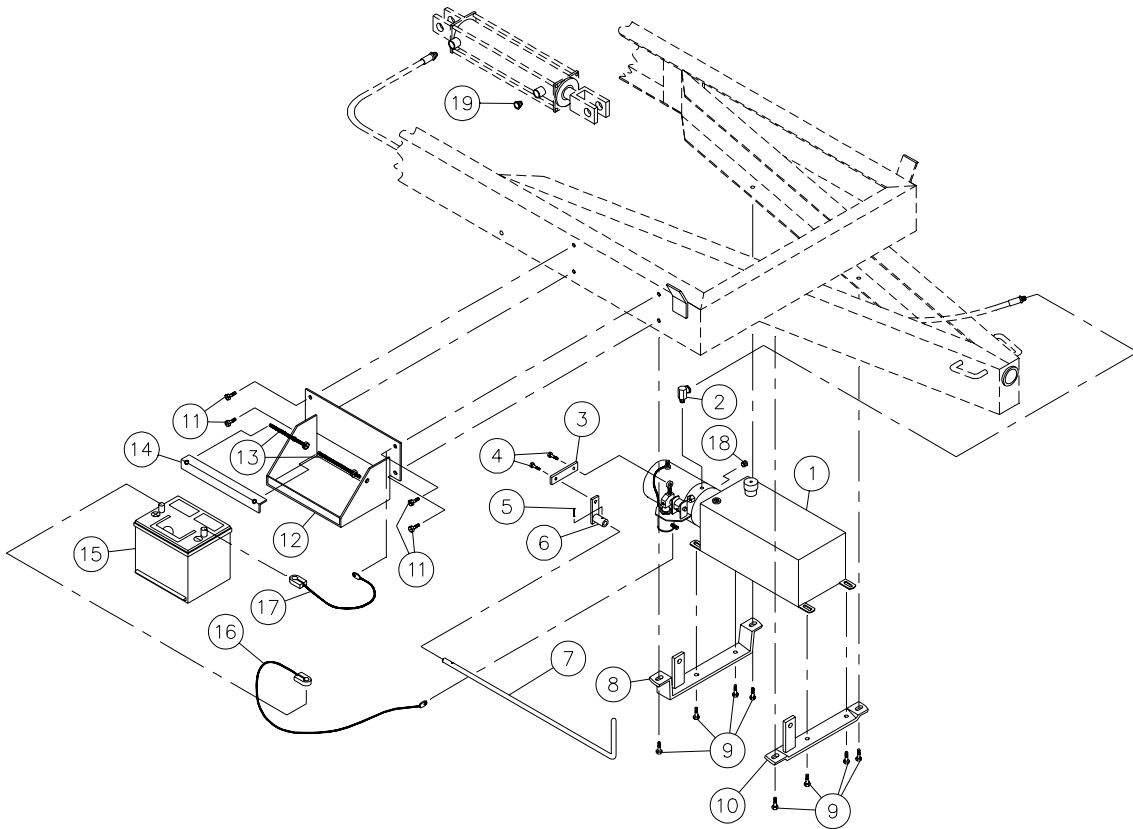
8

DUMP TRAILER P-50711/4E

REF.	PART #	DESCRIPTION	QTY
56	51607	Battery cable 4G x 10" lg	1
57	300-36250	Bolt 3/8" NC x 1" lg + nylon locknut	1
58	110-04841	Tightener + 1 nylon locknut 3/8" NC + 1 nylon locknut 7/16" NC	2
59	130-05751	Angle	1
60	130-20331	Flat washer 1 5/8" i.d. x 2 1/4" o.d.	1
61	Std.	Bolt 7/16" NC x 1 1/2" lg + nylon locknut + 2 flat washer	2
62	300-32220	Bolt 1/4" NC x 3/4" lg + nylon locknut	1
63	52069	Emergency brake switch	1
64	52074	Self-adhesive reflector 1 1/8" x 4 1/2"	2
65	52077	Parking light (yellow) 2 1/8" x 2 7/8"	2
66	110-14052	Ajustable mounting support for ball hitch	1
67	51615	Ball hitch	1
68	52076	Parking light (red) 2 1/2" x 2 7/8"	2
69	130-13381	Light support	4
70	130-13371	Light guard	4
71	316-32220	"TECK" screw 1/4"-14 x 3/4" lg	8
72	302-44490	Bolt 5/8" NF x 4 1/2" lg + nylon locknut	2
73	110-14271	Lever for automatic locking mechanism	1
74	150-02761	Pin 1/2" x 1 1/2" lg	1

ELECTRIC HYDRAULIC PUMP P-510-PHE

170-01691

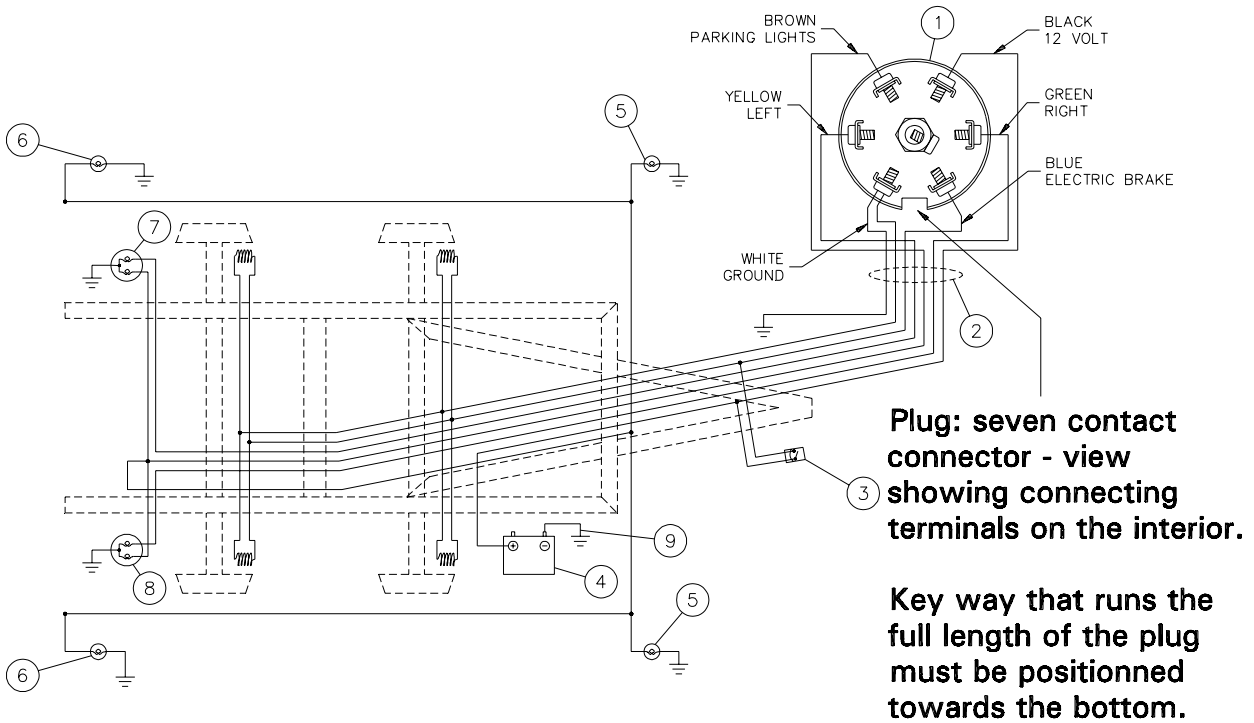


REF.	PART #	DESCRIPTION	QTY	
			P-509-60 P-511-60	P-50711/AE
1	613-00000	Electric hydraulic pump	1	1
2	9405x6x6	Fitting 90°	1	1
3	140-05011	Connecting rod	1	1
4	300-34280	Bolt 5/16" NC x 1 1/4" lg + nylon locknut	2	2
5	Std.	Roll pin 1/8" x 1"	1	1
6	110-06801	Pivot	1	1
7	150-01381	Handle 26" lg	1	1
8	110-06781	Rear support (for pump)	1	1
9	300-36310	Bolt 3/8" NC x 1 1/2" lg + nylon locknut & flat washer	8	8
10	110-06791	Front support (for pump)	1	1
11	300-36250	Bolt 3/8" NC x 1" lg + nylon locknut	4	-
12	110-06772	Battery holder	1	-
13	110-04841	Threaded rod + 1 nylon locknut 3/8" NC + 1 nylon locknut 7/16" NC	2	-
14	130-05751	Angle	1	-
15	51614	Battery 12 volts 850 Amp.	opt.	-
16	51606	Battery cable 4G x 30" lg	1	1
17	51607	Battery cable 4G x 16" lg	1	-
18	C1359x4	Cap 1/4" NPTM	1	1
19	669-02501	Vent plug 1/2" NPT	1	1

8

ELECTRIC CIRCUIT P-50711/4E

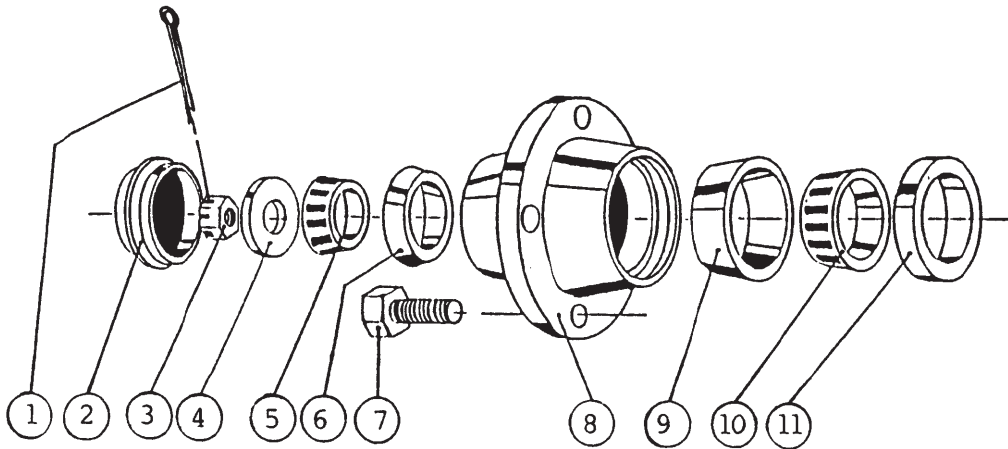
170-01743



REF.	PART #	DESCRIPTION	QTY
1	52065	Connector 7 poles (trailer side)	1
2	52073	P-50711/4E conductors cable kit	1
3	52069	Emergency brake switch	1
4	51614	Battery 12 volts 850 amp	1
5	52077	Yellow parkings lights	2
6	52076	Red parking lights	2
7	32228	Left flasher	1
8	32229	Right flasher with license plate light	1
9	51607	Battery cable 4 GA x 10" lg	1
NI	52078	Connector 7 poles (vehicle side)	1

8

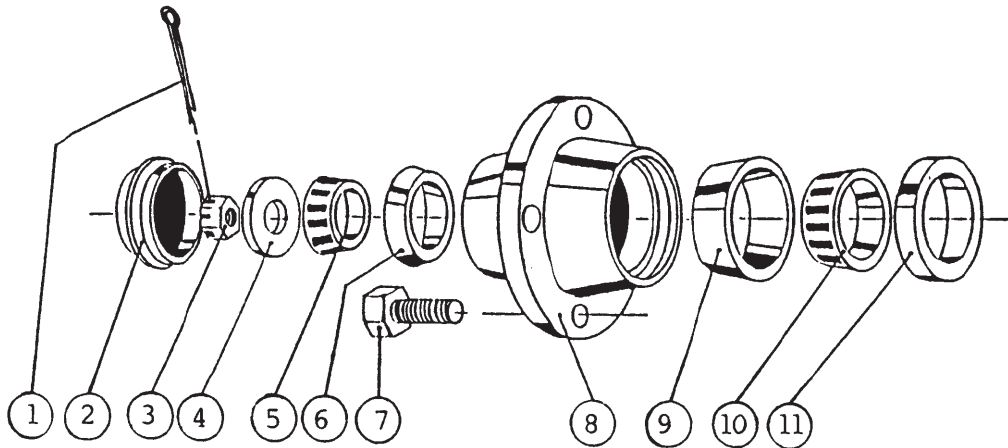
HUB H4000 #51503



REF.	PART #	DESCRIPTION	QTY
1	Std.	Cotter pin 5/32" x 1 3/4"	1
2	51528	Dust cap D-4000 2 5/16" ø	1
3	51529	Castle nut 1" NF x 9/16" thick	1
4	Std.	Flat washer 1"	1
5	51530	Roller bearing: cone no. LM67048	1
6	51531	Roller bearing: cup no. LM67010	1
7	51418	Rim screw 9/16"	5
8	51532	Hub only H4000	1
9	51533	Roller bearing: cup no. LM29710	1
10	51534	Roller bearing: cone no. LM67048	1
11	51535	Oil seal no. CR17415	1

8

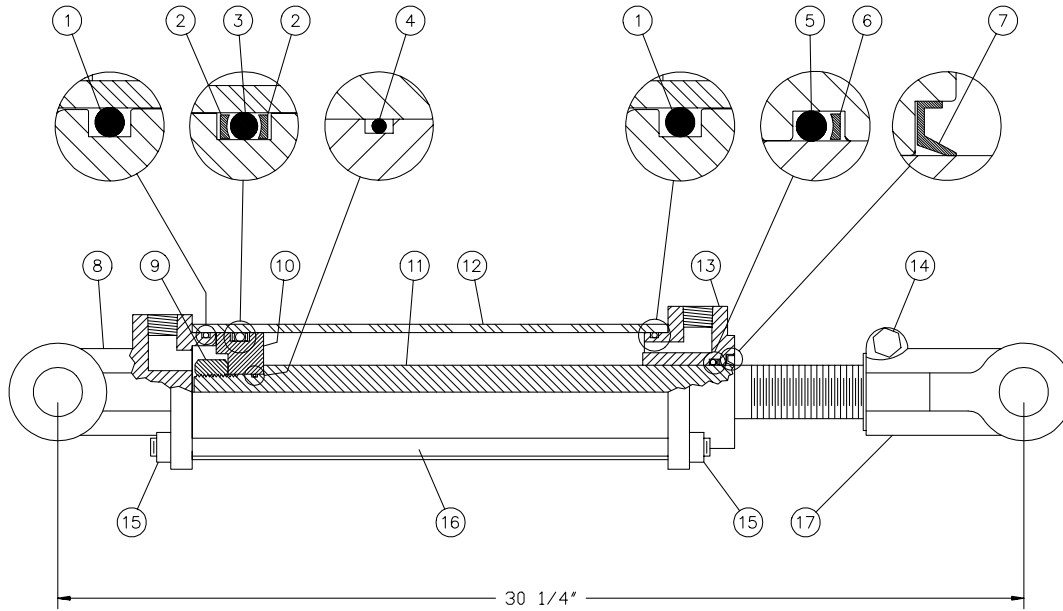
HUB H5000 #51441



REF.	PART #	DESCRIPTION	QTY
1	Std.	Cotter pin 5/32" x 1 1/2"	1
2	51417	Dust cap 2.570" ø	1
3	51442	Castle nut 7/8" NF	1
4	Std.	Flat washer 7/8"	1
5	51416	Roller bearing: cone no. 4T-LM48548	1
6	51415	Roller bearing: cup no. 4T-LM48510	1
7	51418	Rim screw 9/16"	6
8	51414	Hub only H5000	1
9	51413	Roller bearing: cup no. 4T-LM603011	1
10	51412	Roller bearing: cone no. 4T-LM603049	1
11	51443	Oil seal no. CR20044	1

8

CYLINDER 35TR20

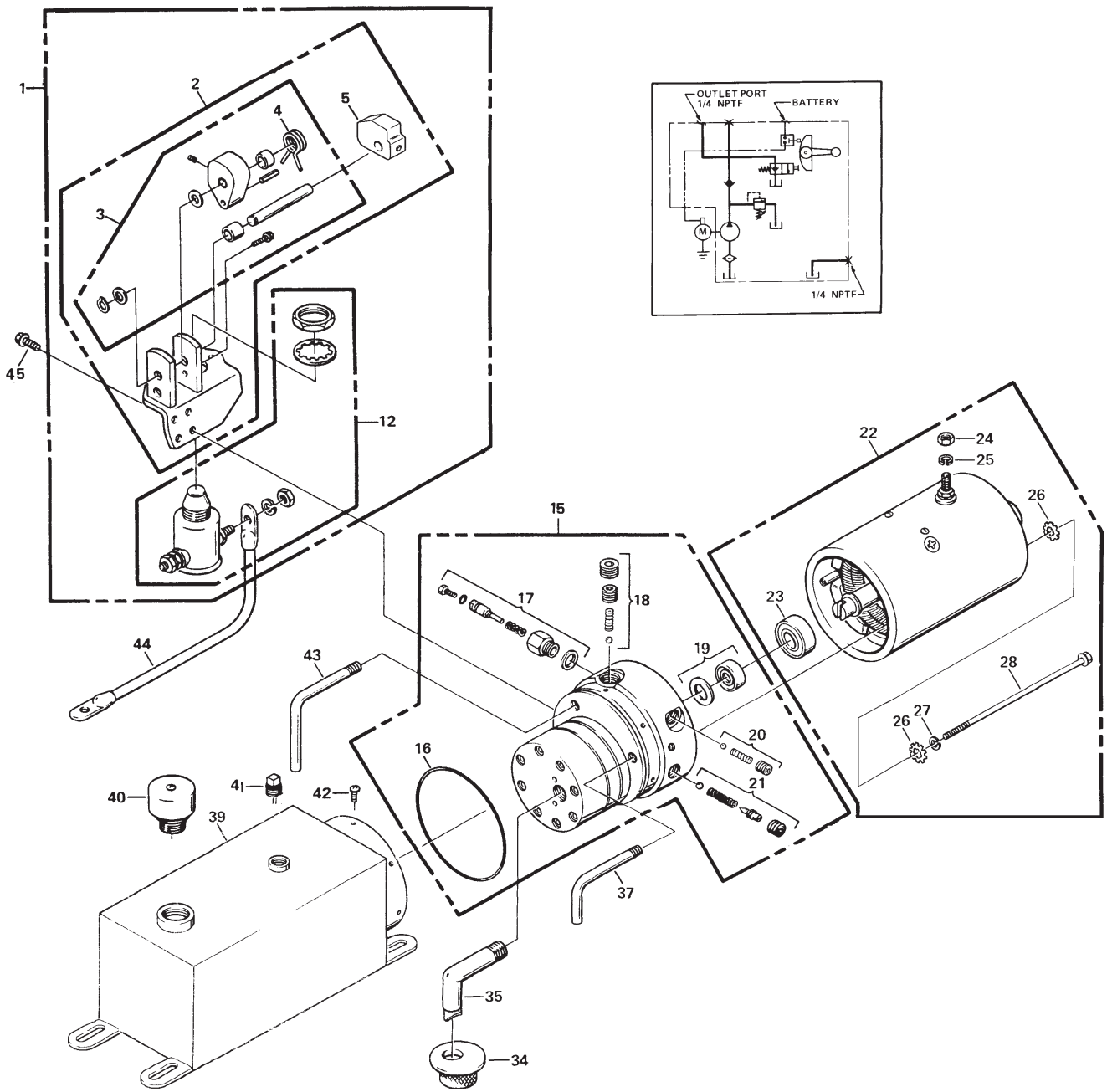


8

REF.	PART #	DESCRIPTION	QTY
1	See RK35TR125	O-ring	2
2	See RK35TR125	Back-up ring	2
3	See RK35TR125	O-ring	1
4	See RK35TR125	O-ring	1
5	See RK35TR125	O-ring	1
6	See RK35TR125	Back-up ring	1
7	See RK35TR125	Wiper.....	1
8	492403	Yoke (for 3 1/2" tube)	1
9	Std.	Nut 1 1/4" NF.....	1
10	492433	Piston 3 1/2" ø	1
11	458600	Piston rod 1 1/4"	1
12	491810	Cylinder body 3 1/2" ø.....	1
13	492423	Cylinder head 3 1/2".....	1
14	Std.	Bolt 3/8" NC x 2 1/4" + nut	1
15	Std.	Nut 3/8" NC	8
16	492350	Threaded rod 3/8" NC.....	4
17	458600	Yoke (for 1 1/4" rod)	1
NI*	8183	Pin 1" ø + cotter pin	2
NI*	RK35TR125	Repair kit for cylinder 3 1/2" (includes # 1, 2, 3, 4, 5, 6, & 7)	1

*NI = NOT ILLUSTRATED

POWER PACK # 51536








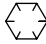

POWER PACK # 51536 (cont'd)

REF.	PART #	DESCRIPTION	QTY
1	51537	Bracket assembly with mounting plate and start switch	1
2	51538	Bracket assembly with mounting plate	1
3	51539	Bracket assembly only	1
4	51540	Torsion spring	1
5	51541	Block	1
12	51542	Start switch	1
15	51543	Pump assembly (gear code 05)	1
16	51544	Industrial o-ring (3 5/8" x 3 7/8" x 1/8")	1
17	51545	Plunger	1
18	51546	Main check valve	1
19	51547	Seal and gasket	1
20	51548	Descending check valve	1
21	51549	Relief valve	1
22	51550	Electric motor 12V DC	1
23	51551	Ball bearing	1
24	Std.	Nut 5/16"-24	1
25	Std.	Lock washer 5/16"	1
26	Std.	Star washer 1/4"	4
27	Std.	Lock washer 1/4"	2
28	Std.	Bolt 1/4"-20 x 6 1/2"	2
34	51552	Filter	1
35	51553	Filter (suction tube) 3/8" NPT 90°	1
37	51554	Return tube 1/8"	1
39	51555	Reservoir 6 1/4" x 7" x 15", 510 in ³ usable	1
40	51556	Vent plug	1
41	51557	Square head plug	1
42	Std.	Screw 10-24 x 3/8"	6
43	51558	Return tube (1/8 NPT)	1
44	51559	Insulated cable with lugs 9" 6 gauge	1
45	Std.	Flange hex. head screw (tap tite) 1/4"-20 x 5/8"	4

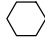




* Some parts might not be available separately.

TORQUE CHART

TORQUE SPECIFICATION TABLE

Thread UNC and UNF		Grade 2 				Grade 5   				Grade 8*   			
Bolt size		Torque				Torque				Torque			
Inches	mm	Pound feet		Newton meters		Pound feet		Newton meters		Pound feet		Newton meters	
		min.	max.	min.	max.	min.	max.	min.	max.	min.	max.	min.	max.
1/4	6.35	5	6	6.8	8.13	9	11	12.2	14.9	12	15	16.3	30.3
5/16	7.94	10	12	13.6	16.3	17	20.5	23.1	27.8	24	29	32.5	39.3
3/8	9.53	20	23	27.1	31.2	35	42	47.5	57.0	45	54	61.0	73.2
7/16	11.11	30	35	40.7	47.4	54	64	73.2	86.8	70	84	94.9	113.9
1/2	12.70	45	52	61.0	70.5	80	96	108.5	130.2	110	132	149.2	179.0
9/16	14.29	65	75	88.1	101.6	110	132	149.2	179.0	160	192	217.0	260.4
5/8	15.88	95	105	128.7	142.3	150	180	203.4	244.1	220	264	298.3	358.0
3/4	19.05	150	185	203.3	250.7	270	324	366.1	439.3	380	456	515.3	618.3
7/8	22.23	160	200	216.8	271.0	400	480	542.4	650.9	600	720	813.6	976.3
1	25.40	250	300	338.8	406.5	580	696	786.5	943.8	900	1080	1220.4	1464.5
1 1/8	25.58	-	-	-	-	800	880	1084.8	1193.3	1280	1440	1735.7	1952.6
1 1/4	31.75	-	-	-	-	1120	1240	1518.7	1681.4	1820	2000	2467.9	2712.0
1 3/8	34.93	-	-	-	-	1460	1680	1979.8	2278.1	2380	2720	3227.3	3688.3
1 1/2	38.10	-	-	-	-	1940	2200	2630.6	2983.2	3160	3560	4285.0	4827.4

* Thick nuts must be used with grade 8 bolts.

Size of screw	Thread	Pitch (mm)	Grade 4T  				Grade 7T 				Grade 8T  			
			Torque				Torque				Torque			
			Pound feet		Newton meters		Pound feet		Newton meters		Pound feet		Newton meters	
		min.	max.	min.	max.	min.	max.	min.	max.	min.	max.	min.	max.	
M6	UNC	1.00	3.6	5.8	4.9	7.9	5.8	9.4	7.9	12.7	7.2	10	9.8	13.6
M8	UNC	1.25	7.2	14	9.8	19	17	22	23	29.8	20	26	27.1	35.2
M10	UNC	1.5	20	25	27.1	33.9	34	40	46.1	54.2	38	46	51.5	62.3
M12	UNC	1.75	28	34	37.9	46.1	51	59	69.1	79.9	57	66	77.2	89.4
M14	UNC	2.0	49	56	66.4	75.9	81	93	109.8	126	96	109	130.1	147.7
M16	UNC	2.0	67	77	90.8	104.3	116	130	157.2	176.2	129	145	174.8	196.5
M18	UNC	2.0	88	100	119.2	136	150	168	203.3	227.6	175	194	237.1	262.9
M20	UNC	2.5	108	130	146.3	176.2	186	205	252	277.8	213	249	288.6	337.4
M8	UNF	1.0	12	17	16.3	23	19	27	25.7	36.6	22	31	29.8	42
M10	UNF	1.25	20	29	27.1	39.3	35	47	47.4	63.7	40	52	54.2	70.5
M12	UNF	1.25	31	41	42	55.6	56	68	75.9	92.1	62	75	84	101.6
M14	UNF	1.5	52	64	70.5	86.7	90	106	122	143.6	107	124	145	168
M16	UNF	1.5	69	83	93.5	112.5	120	138	162.6	187	140	158	189.7	214.1
M18	UNF	1.5	100	117	136	158.5	177	199	239.8	269.6	202	231	273.7	313
M20	UNF	1.5	132	150	178.9	203.3	206	242	279.1	327.9	246	289	333.3	391.6

Use the above torques when special torque is not given.

NOTE: These values apply to fasteners as received from supplier, dry, or when lubricated with normal engine oil. They do not apply if extreme pressure lubricants are used.

WARRANTY

PRONOVOST warrants this product to the initial purchaser for the period of one year from the date of purchase against defects in materials and workmanship.

We will replace or repair defective parts free of charge if they are returned to our plant in St-Tite, Quebec, Canada.

Transportation charges are the responsibility of the customer. This warranty is not transferable.

Hydraulic cylinders are covered by the manufacturer of these items.

All PRONOVOST spare parts purchased are covered by a three (3) month warranty.

This warranty becomes void and nul if the equipment is modified, breaks down as the result of an accident, is not operated according to manufacturer's recommendations, damaged by negligence or if maintenance has not been carried out as specified.

Our obligation is limited to the replacement or repair of the defective part. PRONOVOST accepts no responsibility for direct or indirect consequential damages of any kind.

Ce manuel est aussi disponible en français.
Veuillez téléphoner.



INNOVATION - EXCELLENCE

LES MACHINERIES PRONOVOST INC.

260, route 159,

Saint-Tite, Quebec, Canada, G0X 3H0

Tel.: (418) 365-7551, Fax: (418) 365-7954

www.pronovost.qc.ca