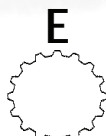
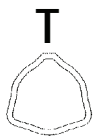




# POWER TAKE OFF "METRIC"



### Series



### Categories

10 - 20 - 30 - 40

50 - 60 - 80 - 90



Version 5

September 2010

Copyright © Les Machineries Pronovost Inc., 2010

All rights reserved.

Printed in Canada.

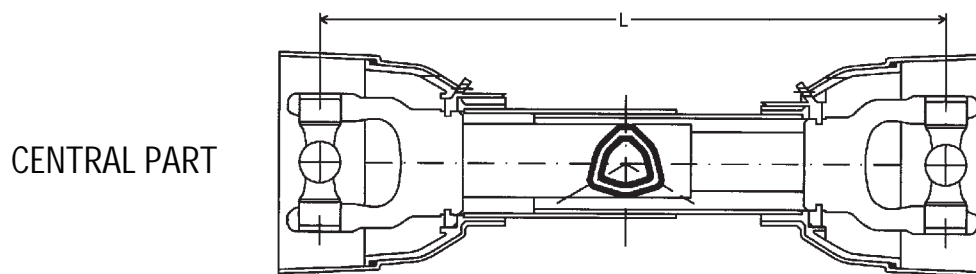


---

# TABLE OF CONTENTS

---

Item	Page
<b>Parts List</b>	
Power take off (central part) .....	4
U-joints .....	5
Round bore end yoke with keyway .....	6
Quick disconnect splined end yoke .....	7
Shear bolt torque limiter quick disconnect type .....	8
Shear bolt torque limiter with interfering bolt .....	9
Friction clutch .....	10
Yokes for tubes "T" series .....	11
Tubes "T" series .....	12
Stoppers for tubes .....	13
"V" series parts .....	14
"E" series parts .....	15
Shield: model CE .....	16
Shields parts: model CE .....	17
Shield: model EN .....	18
Shields parts: model EN .....	19
Power take off with «CV80» joint (central part) .....	20
«CV80» joints .....	21
«CV80» U-joints .....	21
Push pin .....	22
Bolts chart .....	23
Friction plate chart .....	23
PTO'S used with the Pronovost Snowblowers .....	24



CENTRAL PART

COMPLETE CENTRAL PART (Shield included, without end yokes)

SERIE	HP		L*				
	540 RPM	1000 RPM	56 cm	71 cm	91 cm	121 cm	171 cm
20	21	31	T20-056P	T20-071P	T20-091P	T20-121P	...
40	35	55	T40-056P	T40-071P	T40-091P	T40-121P	...
50	47	74	...	T50-071P	T50-091P	T50-121P	...
60	64	100	...	T60-071P	T60-091P	T60-121P	...
80	95	150	...	T80-071P	T80-091P	T80-121P	T80-171P
90	120	190	...	T90-071P	...	...	...

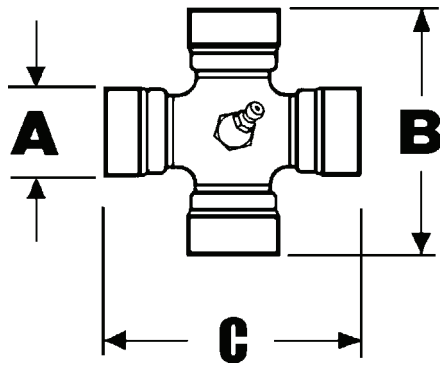
N.B. To complete the power take off, you must choose **two end yokes** and add to the price of the «COMPLETE CENTRAL PART».


HALF CENTRAL PART (Shield included, without end yoke)

SERIE	SIDE	L*				
		56 cm	71 cm	91 cm	121 cm	171 cm
20	Inner	T20-056P-INT	T20-071P-INT	T20-091P-INT	T20-121P-INT	...
	Outer	T20-056P-EXT	T20-071P-EXT	T20-091P-EXT	T20-121P-EXT	...
40	Inner	T40-056P-INT	T40-071P-INT	T40-091P-INT	T40-121P-INT	...
	Outer	T40-056P-EXT	T40-071P-EXT	T40-091P-EXT	T40-121P-EXT	...
50	Inner	...	T50-071P-INT	T50-091P-INT	T50-121P-INT	...
	Outer	...	T50-071P-EXT	T50-091P-EXT	T50-121P-EXT	...
60	Inner	...	T60-071P-INT	T60-091P-INT	T60-121P-INT	...
	Outer	...	T60-071P-EXT	T60-091P-EXT	T60-121P-EXT	...
80	Inner	...	T80-071P-INT	T80-091P-INT	T80-121P-INT	T80-171P-INT
	Outer	...	T80-071P-EXT	T80-091P-EXT	T80-121P-EXT	T80-171P-EXT
90	Inner	...	T90-071P-INT	...	...	...
	Outer	...	T90-071P-EXT	...	...	...

N.B. To complete the half power take off, you must choose **one end yoke** and add its price to the «HALF CENTRAL PART».

\* Other lengths available upon request.



 M8 x 1 x 67°	PART #
	8110

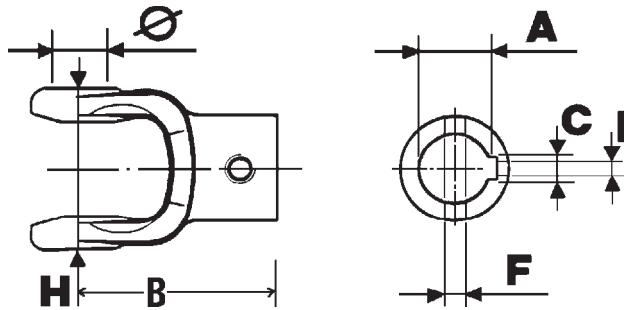
SERIE	A (mm)	B and C (mm)	PART # (standard)	PART # (HD category)
10	22.0	54.0	6590	---
20	23.8	61.3	6208	---
30	27.0	70.0	6572	---
40	27.0	74.6	6239	6239-HD
50	30.2	80.0	8073	8073-HD
60	30.2	92.0	8238	8238-HD
70	30.2	106.5	8309	---
80	35.0	106.5	9208	9208-HD
90	41.0	108.0	9477	---
110	41.0	118.0	9502	---

## «CV80»

SERIE	A (mm)	B (mm)	C (mm)	PART #
20CV	23.8	74.1	82.1	6208-CV
40CV	27.0	85.8	91.2	6239-CV
60CV	30.2	95.4	101.4	8238-CV
80CV	34.9	106.3	113.8	9208-CV



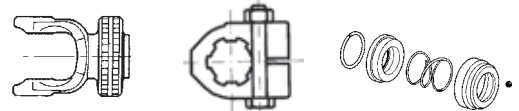
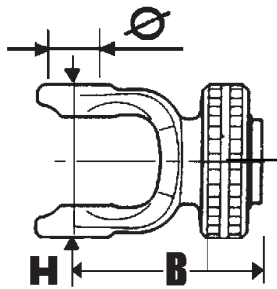
## ROUND BORE END YOKE



SERIE	A Bore	B	H (mm)	Ø (mm)	F Bolt hole	C Key way	I Set screw	PART #
10	3/4"	---	---	22.0	1/4"	3/16"	1/4"-20	6595
	1"	---	---	22.0	1/4"	1/4"	1/4"-20	6596
	1 1/4"	---	---	22.0	5/16"	---	---	6596-1
20	1"	3 5/32"	70.0	23.8	0.275	1/4"	1/4"-20	6215
	1 1/4"	3 5/32"	70.0	23.8	5/16"	1/4"	3/8"-16	6229
	30 mm	3 5/32"	70.0	23.8	7 mm	5/16"	1/4"-20	6215-1
40	1"	3 39/64"	84.0	27.0	5/16"	1/4"	5/16"	6223-3
	1 1/4"	3 39/64"	84.0	27.0	5/16"	1/4"	3/8"-16	6223-4
	1 1/4"	3 39/64"	84.0	27.0	5/16"	5/16"	3/8"-16	6223-2
	1 3/8"	3 39/64"	84.0	27.0	5/16"	5/16"	3/8"-16	6223-1
	1 1/2"	3 39/64"	84.0	27.0	5/16"	3/8"	3/8"-16	6223
50	1 1/4"	3 13/16"	91.0	30.2	5/16"	1/4"	3/8"-16	8080-2
	1 3/8"	3 13/16"	91.0	30.2	5/16"	5/16"	3/8"-16	8080-1
	1 1/2"	3 13/16"	91.0	30.2	5/16"	3/8"	3/8"-16	8080
60	1 1/4"	4 3/32"	103.0	30.2	5/16"	5/16"	3/8"-16	8260
	1 3/8"	4 3/32"	103.0	30.2	5/16"	5/16"	3/8"-16	8261
	1 1/2"	4 3/32"	103.0	30.2	5/16"	3/8"	3/8"-16	8262
	1 3/4"	4 3/32"	103.0	30.2	5/16"	3/8"	3/8"-16	8263
80	1 3/8"	4 9/16"	117.0	35.0	5/16"	5/16"	3/8"-16	9223-2
	1 1/2"	4 9/16"	117.0	35.0	3/8"	3/8"	3/8"-16	9223-1
	1 3/4"	4 9/16"	117.0	35.0	3/8"	3/8"	3/8"-16	9223
	2"	4 9/16"	117.0	35.0	3/8"	1/2"	3/8"-16	9215
90	1 3/4"	4 7/8"	118.0	41.0	3/8"	3/8"	3/8"-16	9574



# QUICK DISCONNECT END YOKE

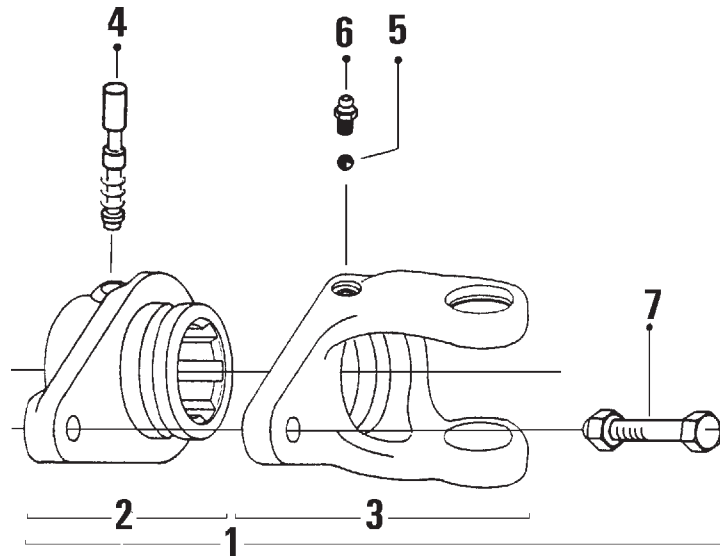


SERIE		B	H (mm)	Ø (mm)	PART # Quick disconnect	PART # Interfering clamp bolt	PART # Slide collar repair kit
<b>10</b>	1 3/8" - 6	---	---	22.0	<b>6597</b>	---	<b>8363</b>
	1 3/8" - 21	---	---	22.0	<b>6598</b>	---	<b>8363</b>
<b>20</b>	1 3/8" - 6	3 57/64"	70.0	23.8	<b>6409</b>	---	<b>8363</b>
	1 3/8" - 21	3 57/64"	70.0	23.8	<b>6409-1</b>	---	<b>8363</b>
<b>30</b>	1 3/8" - 6	3 15/16"	80.0	27.0	<b>6573</b>	---	<b>8363</b>
<b>40</b>	1 3/8" - 6	4 7/32"	84.0	27.0	<b>6354</b>	---	<b>8363</b>
	1 3/8" - 21	4 7/32"	84.0	27.0	<b>6354-1</b>	---	<b>8363</b>
<b>50</b>	1 3/8" - 6	4 19/64"	91.0	30.2	<b>8113</b>	<b>8113-BS</b>	<b>8363</b>
	1 3/8" - 21	4 19/64"	91.0	30.2	<b>8113-1</b>	---	<b>8363</b>
<b>60</b>	1 3/8" - 6	4 9/16"	103.0	30.2	<b>8250</b>	<b>8250-BS</b>	<b>8363</b>
	1 3/8" - 21	4 9/16"	103.0	30.2	<b>8250-1</b>	<b>8250-1-BS</b>	<b>8363</b>
	1 3/4" - 6	4 7/8"	103.0	30.2	<b>8250-4</b>	---	<b>8364</b>
	1 3/4" - 20	4 7/8"	103.0	30.2	<b>8250-3</b>	<b>8250-3-BS</b>	<b>8364</b>
<b>80</b>	1 3/8" - 6	4 7/8"	117.0	35.0	<b>9455</b>	<b>9455-BS</b>	<b>8363</b>
	1 3/8" - 21	4 7/8"	117.0	35.0	<b>9463</b>	<b>9463-BS</b>	<b>8363</b>
	1 3/4" - 6	5 3/64"	117.0	35.0	<b>9465</b>	<b>9465-BS</b>	<b>8364</b>
	1 3/4" - 20	5 3/64"	117.0	35.0	<b>9224</b>	<b>9224-BS</b>	<b>8364</b>
<b>90</b>	1 3/8" - 6	4 7/8"	118.0	41.0	<b>9481</b>	<b>9481-BS</b>	<b>8363</b>
	1 3/8" - 21	4 7/8"	118.0	41.0	<b>9482</b>	<b>9482-BS</b>	<b>8363</b>
	1 3/4" - 6	5 3/64"	118.0	41.0	<b>9573</b>	<b>9573-BS</b>	<b>8364</b>
	1 3/4" - 20	5 3/64"	118.0	41.0	<b>9483</b>	<b>9483-BS</b>	<b>8364</b>
<b>110</b>	1 3/4" - 20	4 7/16"	130.5	41.0	<b>9510</b>	---	---

Ball for slide collar = # 8378



## SHEAR BOLT TORQUE LIMITER (Quick disconnect)



SERIE		1 Complete	2 Adaptor	3 Yoke	4 Push pin <sup>1</sup>	5 Balls/Qty	6 Grease fitting	7 Shear bolt <sup>2</sup>
<b>10</b>	1 3/8" - 6	<b>6599</b>	6600	6601	8068 or 8068-E	6205/24	8071	6207 (6 mm)
	1 3/8" - 21	<b>6201-1</b>	6202-1	6204	8068 or 8068-E	6205/24	8071	6207 (6 mm)
<b>40</b>	1 3/8" - 6	<b>6232</b>	6233	6235	8068 or 8068-E	8070/23	8071	6238 (8 mm)
	1 3/8" - 21	<b>6232-1</b>	6233-1	6235	8068 or 8068-E	8070/23	8071	6238 (8 mm)
<b>50</b>	1 3/8" - 6	<b>8066</b>	8067	8069	8068 or 8068-E	8070/23	8071	8072 (10 mm)
	1 3/8" - 21	<b>8066-1</b>	8067-1	8069	8068 or 8068-E	8070/23	8071	8072 (10 mm)
<b>60</b>	1 3/8" - 6	<b>8237-1</b>	8243-1	8244	8068	9205/24	8071-1	8218 (10 mm)
	1 3/8" - 21	<b>8237-2</b>	8243-2	8244	or	9205/24	8071-1	8218 (10 mm)
	1 3/4" - 20	<b>8237-3</b>	8243-3	8244	8068-E	9205/24	8071-1	8218 (10 mm)
<b>80</b>	1 3/8" - 6	<b>9201</b>	9202	9204	8068 or 9336 or 9377	9205/24	8071-1	9207 (12 mm)
	1 3/8" - 21	<b>9201-1</b>	9202-1	9204		9205/24	8071-1	9207 (12 mm)
	1 3/4" - 6	<b>9201-2</b>	9202-2	9204		9205/24	8071-1	9207 (12 mm)
	1 3/4" - 20	<b>9201-3</b>	9202-3	9204		9205/24	8071-1	9207 (12 mm)
<b>90</b>	1 3/8" - 6	<b>9476-3</b>	9486-3	9487	8068 or 9336 or 9377	9205/24	8071-1	9207 (12 mm)
	1 3/8" - 21	<b>9476-4</b>	9486-4	9487	8068 or 9336 or 9377	9205/24	8071-1	9207 (12 mm)

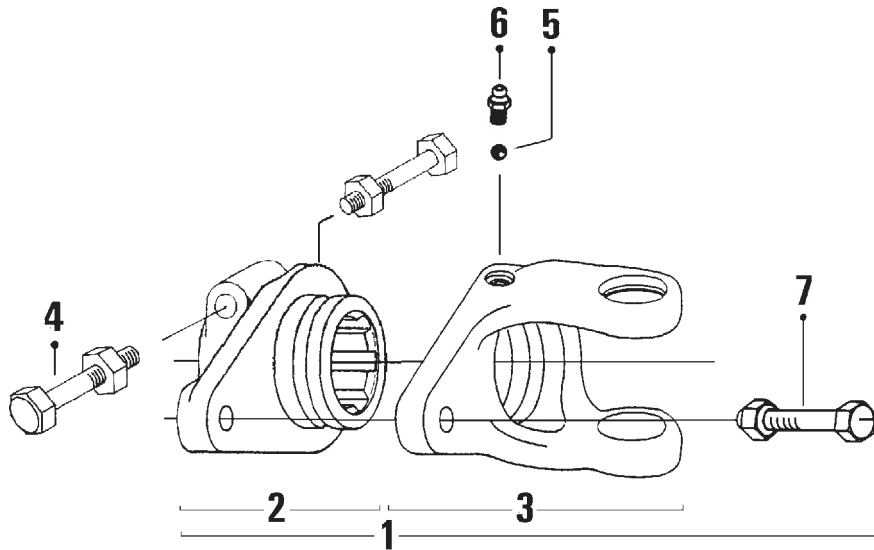
<sup>1</sup> See push pin chart page 22

<sup>2</sup> See bolts chart page 23





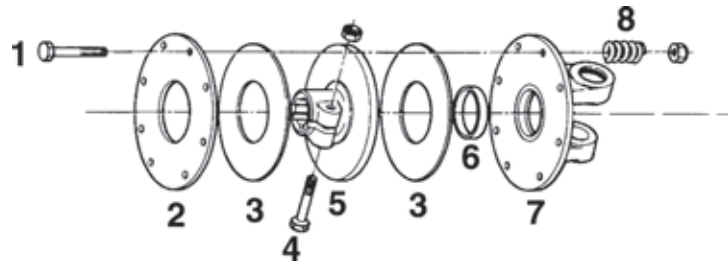
## SHEAR BOLT TORQUE LIMITER (Interfering bolt)



SÉRIE		1 Complet	2 Adapteur	3 Fourche	4 Lock bolt <sup>1</sup>	5 Billes/Qte	6 Grease fitting	7 Shear bolt <sup>1</sup>
<b>40</b>	1 3/8" - 6	<b>6232-2</b>	6233-2	6235	8222	8070/23	8071	6238 (8 mm)
<b>50</b>	1 3/8" - 6	<b>8221</b>	8223	8069	8222	8070/23	8071	8072 (10 mm)
<b>60</b>	1 3/8" - 6	<b>8237</b>	8243	8244	8222	9205/24	8071-1	8218 (10 mm)
<b>80</b>	1 3/8" - 6	<b>9464</b>	9458-1	9204	8222 or 9461 or 9662	9205/24	8071-1	9207 (12 mm)
	1 3/8" - 6	<b>9464-2</b>	8243	9572		9205/24	8071-1	8218 (10 mm)
	1 3/4" - 20	<b>9453</b>	9458	9204		9205/24	8071-1	9207 (12 mm)
	1 3/4" - 20	<b>9570</b>	9571	9572		9205/24	8071-1	8218 (10 mm)
<b>90</b>	1 3/8" - 6	<b>9476-1</b>	9486-1	9487	8222 or 9461 or 9662	9205/24	8071-1	9207 (12 mm)
	1 3/8" - 21	<b>9476-2</b>	9486-2	9487		9205/24	8071-1	9207 (12 mm)
	1 3/4" - 20	<b>9476</b>	9486	9487		9205/24	8071-1	9207 (12 mm)

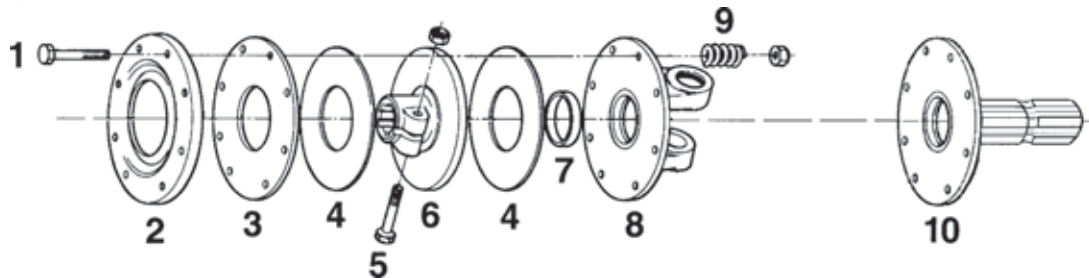
<sup>1</sup> See bolts chart page 23

## F1



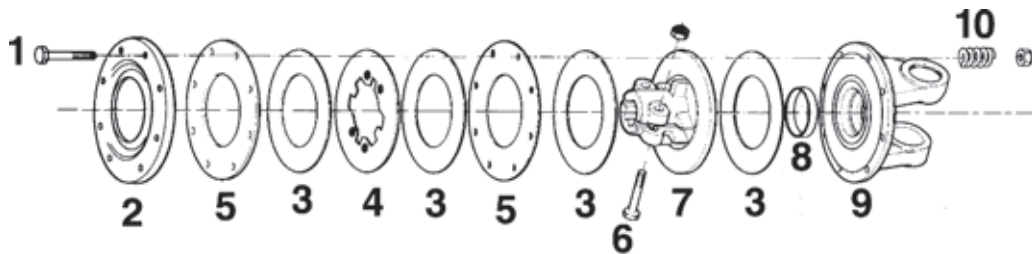
SERIE	Complete	1	2	3 <sup>1</sup>	4	5	6	7	8	
<b>40</b>	1 3/8"-6	<b>8310</b>	8311	8312	8313	9207	8314	8315	8316	8317

## F2



SERIE	Complete	1	2	3	4 <sup>1</sup>	5	6	7	8	9	10	
<b>50</b>	1 3/8"-6	<b>8319</b>	8325	8326	8327	8328	9207	8329	8330	8331	8332	---
	1 3/8"-6	<b>8320</b>	8325	8326	8327	8328	9207	8329	8330	---	8332	8333
<b>60</b>	1 3/8"-6	<b>8321</b>	8325	8326	8327	8328	9207	8334	8330	8337	8332	---
	1 3/8"-21	<b>8322</b>	8325	8326	8327	8328	9207	8335	8330	8337	8332	---
<b>80</b>	1 3/8"-6	<b>8323</b>	8325	8326	8327	8328	9207	8336	8330	8338	8332	---
	1 3/8"-20	<b>8323-1</b>	8325	8326	8327	8328	9207	8336-1	8330	8338	8332	---

## F4

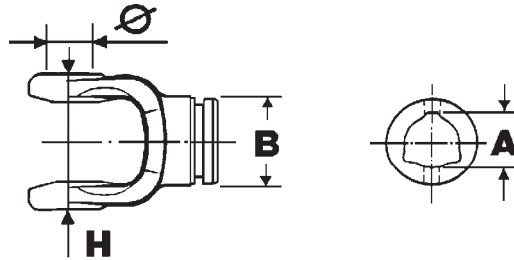


SERIE	Complete	1	2	3 <sup>1</sup>	4	5	6	7	8	9	10	
<b>60</b>	1 3/8"-6	<b>8321-1</b>	8341	8326	8328	8339	8327	9207	8340-2	8330	8337	8317
<b>80</b>	1 3/8"-6	<b>8324</b>	8341	8326	8328	8339	8327	9207	8340	8330	8338	8317
	1 3/4"-6	<b>8347</b>	8341	8326	8328	8339	8327	9515	8340-1	8330	8338	8317
	1 3/4"-20	<b>8347-2</b>	8341	8326	8328	8339	8327	9515	8340-2	8330	8338	8317
<b>90</b>	1 3/4"-6	<b>9683</b>	8341	8326	8328	8339	8327	9515	8340-1	8330	8338	8317
	1 3/4"-20	<b>9683-1</b>	8341	8326	8328	8339	8327	9515	8340-2	8330	8338	8317

<sup>1</sup> See friction plate dimensions on page 23



## YOKE FOR TUBE "T" SERIES



### YOKE FOR INNER TUBE

SERIE	A (mm)	B (mm)	H (mm)	Ø (mm)	PART #
10	26.5	---	---	22.0	6602
20	29.0	47.0	70.0	23.8	6434
30	36.0	54.0	80.0	27.0	6575
40	36.0	54.0	84.0	27.0	6353
50	45.0	61.0	91.0	30.2	8079
60	45.0	67.0	103.0	30.2	8239
80	54.0	76.0	117.0	35.0	9214
80 old EG	45.0	66.0	117.0	35.0	9214-E
90	54.0	76.0	118.0	41.0	9479
110	54.0	76.0	130.5	41.0	9509

### YOKE FOR OUTER TUBE

SERIE	A (mm)	B (mm)	H (mm)	Ø (mm)	PART #
10	32.5	---	---	22.0	6603
20	36.0	54.0	70.0	23.8	6430
30	43.5	61.0	80.0	27.0	6574
40	43.5	61.0	84.0	27.0	6340
50	51.6	70.0	91.0	30.2	8074
60	54.0	76.0	103.0	30.2	8240
80	63.0	88.0	117.0	35.0	9209
80 old EG	54.0	74.0	117.0	35.0	9209-E
90	63.0	88.0	118.0	41.0	9480
110	66.0	88.0	130.5	41.0	9504



SERIE		A (mm)	B (mm)	PART #	
<b>10</b>	Inner	3.5	26.5	6593-CM	---
	Outer	2.6	32.5	6594-CM	---
<b>20</b>	Inner	4.0	29.0	6432-CM	---
	Outer	3.2	36.0	6431-CM	6613
<b>30</b>	Inner	3.2	36.0	6431-CM	---
	Outer	3.4	43.5	6342-CM	---
<b>40</b>	Inner	4.5	36.0	6343-CM	---
	Outer	3.4	43.5	6342-CM	6614
<b>50</b>	Inner	4.0	45.0	8077-CM	---
	Outer	3.0	51.6	8076-CM	8365
<b>60</b>	Inner	4.0	45.0	8077-CM	---
	Outer	4.0	54.0	9212-CM	8366
<b>80</b>	Inner B&P and new EG	4.0	54.0	9212-CM	---
	Outer old EG	4.0	54.0	9212-CM	---
	Outer B&P and new EG	4.0	63.0	9211-CM	9669
	Inner old EG	5.5	45.0	9212-E-CM	---
<b>90</b>	Inner	4.0	54.0	9212-CM	---
	Outer	4.0	63.0	9211-CM	9669
<b>110</b>	Inner B&P	6.3	54.6	9507	---
	Outer B&P	5.3	66.0	9506	---

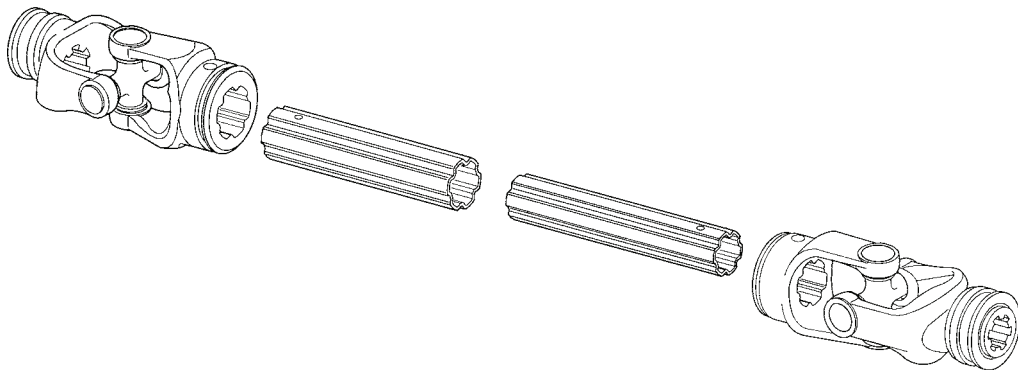
N.B. ⇒ Length of 300 cm.



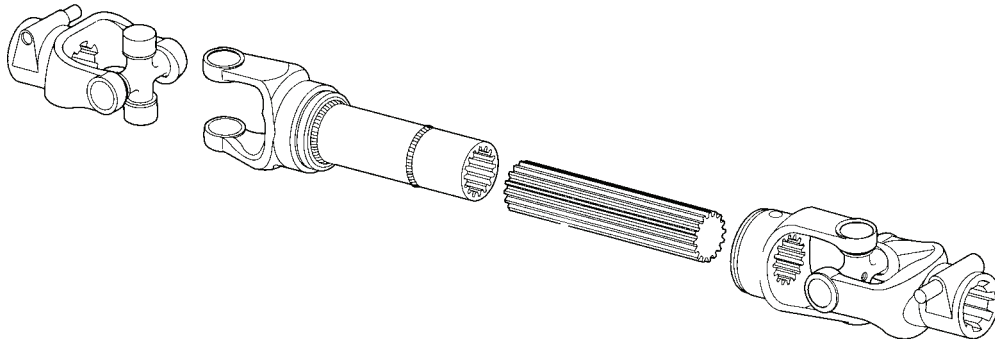
## STOPPERS FOR TUBES



FOR SERIE		A (mm)	B (mm)	PART #
<b>20</b>	Inner	8.0	50.0	<b>6433</b>
	Outer	8.0	55.0	<b>6344</b>
<b>40</b>	Inner	8.0	55.0	<b>6344</b>
	Outer	8.0	60.0	<b>6341</b>
<b>50</b>	Inner old EG	8.0	60.0	<b>6341</b>
	Outer old EG	8.0	70.0	<b>8142</b>
	Inner B&P and new EG	10.0	60.0	<b>8078</b>
	Outer B&P and new EG	10.0	70.0	<b>8075</b>
<b>60</b>	Inner EG	10.0	70.0	<b>8075</b>
	Outer EG	10.0	80.0	<b>9210-E</b>
<b>80</b>	Inner old EG	10.0	70.0	<b>8075</b>
	Outer old EG	10.0	80.0	<b>9210-E</b>
	Inner B&P and new EG	12.0	80.0	<b>9213</b>
	Outer B&P and new EG	12.0	90.0	<b>9210</b>
<b>90</b>	Inner	12.0	90.0	<b>9210</b>
	Outer	12.0	90.0	<b>9210</b>
<b>110</b>	Inner	12.0	90.0	<b>9210</b>
	Outer	12.0	100.0	<b>9505</b>

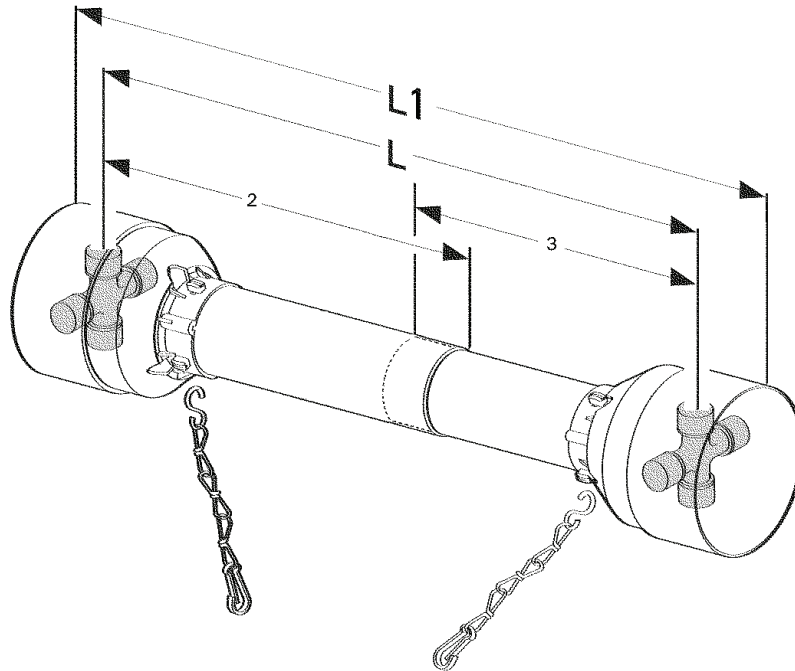


Serie	U-joint	Yoke for outer tube	Outer tube	Inner tube	Yoke for inner tube
<b>40</b>	 6239	 6609	 6610	 6611	 6612
<b>50</b>	 8073	 8357	 8358	 8359	 8360
<b>60</b>	 8238	 8361	 8358	 8359	 8362
<b>80</b>	 9208	 9667	 9601	 9602	 9668
<b>90</b>	 9477	 9600	 9601	 9602	 9603



Serie	U-joint	Yoke for outer tube	Outer tube *	Splined sleeve *	Inner shaft *	Yoke for inner shaft
<b>40</b>	 6239	 6607		 6623	 6624	 6608
<b>50</b>	 8073	 8353		 8384	 8385	 8354
<b>60</b>	 8238	 8355		 8384	 8385	 8356
<b>80</b>	 9208	 9663		 9787	 9788	 9664
<b>90</b>	 9477	 9665		 9789	 9790	 9666

\* Parts on request.

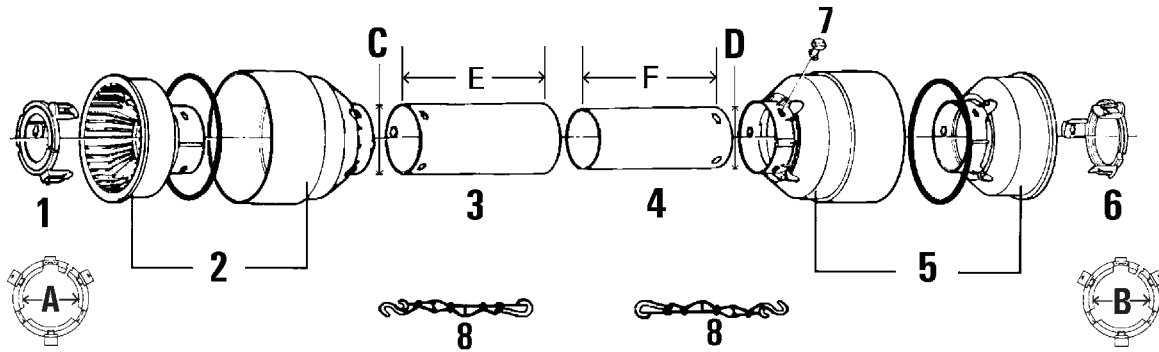


SERIE	L1 cm	L cm	Complete shield	2 Outer shield	3 Inner shield
<b>10</b>	62	56	6222-S10	6220-S10	6221-S10
	127	121	6222-121-S10	6220-121-S10	6221-121-S10
<b>20</b>	62	56	6222	6220	6221
	127	121	6222-121	6220-121	6221-121
<b>40</b>	76.5	71	6352	6350	6351
	126.5	121	6352-121	6350-121	6351-121
<b>50</b>	77	71	8087	8085	8086
	127	121	8087-121	8085-121	8086-121
<b>60</b> and 80 old EG	77	71	8249	8248	8247
	127	121	8249-121	8248-121	8247-121
<b>80</b> and <b>90</b>	80	71	9222	9220	9221
	100	91	9222-091	9220-091	9221-091
	130	121	9222-121	9220-121	9221-121
	180	171	9222-171	9220-171	9221-171

L1 : Length of PTO protector closed, end to end.

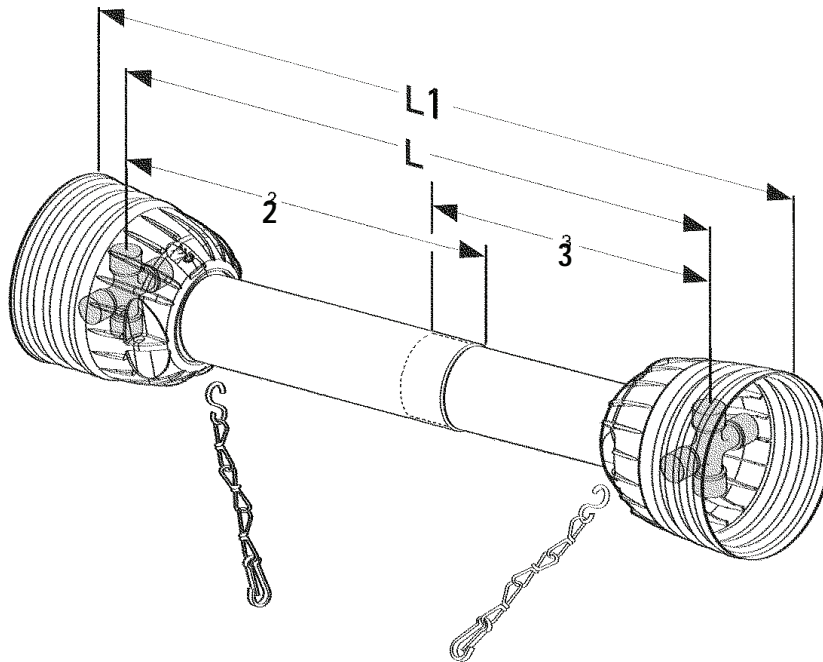
L : Length of closed shaft from c/c of joints.





SERIE	lg <sup>1</sup> (cm)	OUTER						INNER							
		1		2	3		4			5	6		7	8	
		part #	A (mm)	part #	# pièce	C (mm)	E (cm)	part #	D (mm)	F (cm)	part #	part #	B (mm)	part #	part #
<b>10</b>	56	<b>6605</b>	40.0	<b>6578</b>	<b>6580</b>	61.0	37	<b>6581</b>	55.6	37	<b>6579</b>	<b>6606</b>	34.0	<b>8109</b>	<b>8308</b>
<b>20</b>	56	<b>6218-E</b>	46.0	<b>6578</b>	<b>6580</b>	61.0	37	<b>6581</b>	55.6	37	<b>6579</b>	<b>6219-E</b>	40.0	<b>8109</b>	<b>8308</b>
	121	<b>6218-E</b>	46.0	<b>6578</b>	<b>6582</b>	61.0	102	<b>6583</b>	55.6	102	<b>6579</b>	<b>6219-E</b>	40.0	<b>8109</b>	<b>8308</b>
<b>40</b>	71	<b>6348-E</b>	54.0	<b>6584</b>	<b>6586</b>	66.5	49	<b>6587</b>	61.0	49	<b>6585</b>	<b>6349-E</b>	47.0	<b>8109</b>	<b>8308</b>
	121	<b>6348-E</b>	54.0	<b>6584</b>	<b>6588</b>	66.5	99	<b>6589</b>	61.0	99	<b>6585</b>	<b>6349-E</b>	47.0	<b>8109</b>	<b>8308</b>
<b>50</b>	71	<b>8083-E</b>	62.5	<b>8302</b>	<b>8304</b>	81.2	47	<b>8305</b>	75.0	47	<b>8303</b>	<b>8084-E</b>	54.5	<b>8109</b>	<b>8308</b>
	121	<b>8083-E</b>	62.5	<b>8302</b>	<b>8306</b>	81.2	98	<b>8307</b>	75.0	98	<b>8303</b>	<b>8084-E</b>	54.5	<b>8109</b>	<b>8308</b>
<b>60</b> and <b>80</b> old EG	71	<b>8246</b>	69.0	<b>8302</b>	<b>8304</b>	81.2	47	<b>8305</b>	75.0	47	<b>8303</b>	<b>8245</b>	60.0	<b>8109</b>	<b>8308</b>
	121	<b>8246</b>	69.0	<b>8302</b>	<b>8306</b>	81.2	98	<b>8307</b>	75.0	98	<b>8303</b>	<b>8245</b>	60.0	<b>8109</b>	<b>8308</b>
<b>80</b> and <b>90</b>	71	<b>9460</b>	81.5	<b>9491</b>	<b>9493</b>	96.0	44	<b>9494</b>	89.8	44	<b>9492</b>	<b>9459</b>	69.5	<b>8109</b>	<b>8308</b>
	121	<b>9460</b>	81.5	<b>9491</b>	<b>9495</b>	96.0	94	<b>9496</b>	89.8	94	<b>9492</b>	<b>9459</b>	69.5	<b>8109</b>	<b>8308</b>
	171	<b>9460</b>	81.5	<b>9491</b>	<b>9497</b>	96.0	-	<b>9498</b>	89.8	-	<b>9492</b>	<b>9459</b>	69.5	<b>8109</b>	<b>8308</b>

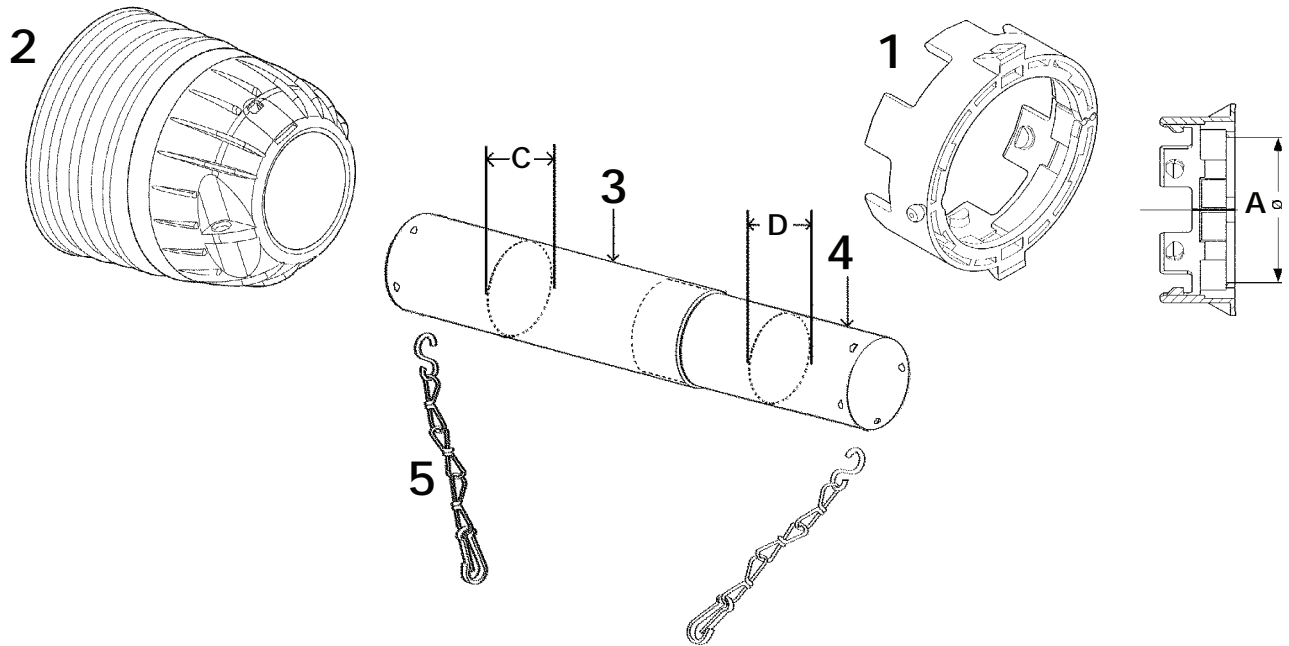
<sup>1</sup> Length of closed shaft from c/c of joints.



SERIE	L1 cm	L cm	Complete shield	2 Outer shield	3 Inner shield
<b>20</b>	60.4	56	6222-EN	6220-EN	6221-EN
	125.4	121	6222-121-EN	6220-121-EN	6221-121-EN
<b>40</b>	75.1	71	6352-EN	6350-EN	6351-EN
	125.4	121	6352-121-EN	6350-121-EN	6351-121-EN
<b>50</b>	77.6	71	8087-EN	8085-EN	8086-EN
	127.6	121	8087-121-EN	8085-121-EN	8086-121-EN
<b>60</b> and 80 old EG	76.6	71	8249-EN	8248-EN	8247-EN
	126.6	121	8249-121-EN	8248-121-EN	8247-121-EN
<b>80</b> and <b>90</b>	79	71	9222-EN	9220-EN	9221-EN
	99	91	9222-091-EN	9220-091-EN	9221-091-EN
	129	121	9222-121-EN	9220-121-EN	9221-121-EN
	179	171	9222-171-EN	9220-171-EN	9221-171-EN

L1 : Length of PTO protector closed, end to end.

L : Length of closed shaft from c/c of joints.



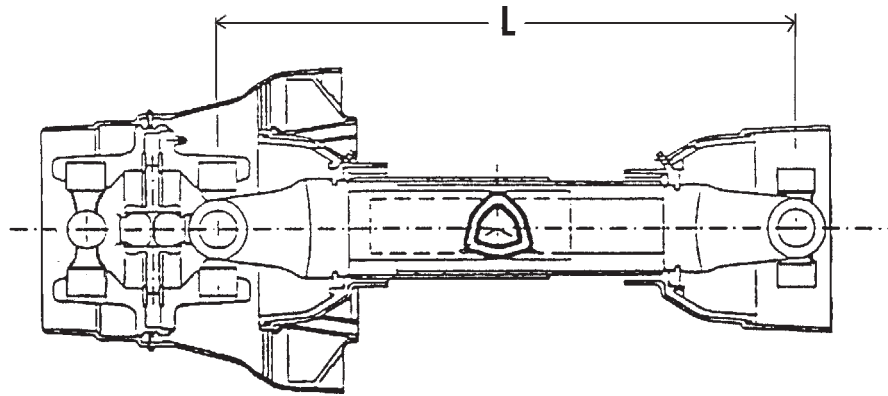
SERIE	lg (cm)	OUTER					INNER					5
		1		2	3		4		2	1		
		part #	A (mm)	part #	part #	C (mm)	part #	D (mm)	part #	part #	B (mm)	
10	56	6605-EN	40.0	6578-EN	6580-EN	61.6	6581-EN	55.6	6579-EN	6606-EN	34.0	8308
	121	6218-E-EN	46.0	6578-EN	6580-EN	61.6	6581-EN	55.6	6579-EN	6219-E-EN	40.0	8308
20	71	6348-E-EN	54.0	6584-EN	6586-EN	66.5	6587-EN	61.0	6585-EN	6349-E-EN	47.0	8308
	121	6348-E-EN	54.0	6584-EN	6588-EN	66.5	6589-EN	61.0	6585-EN	6349-E-EN	47.0	8308
40	71	8083-E-EN	62.5	8302-EN	8304-EN	81.2	8305-EN	75.0	8303-EN	8084-E-EN	54.5	8308
	121	8083-E-EN	62.5	8302-EN	8306-EN	81.2	8307-EN	75.0	8303-EN	8084-E-EN	54.5	8308
50	71	8246-EN	69.0	8302-EN	8304-EN	81.2	8305-EN	75.0	8303-EN	8245-EN	60.0	8308
	121	8246-EN	69.0	8302-EN	8306-EN	81.2	8307-EN	75.0	8303-EN	8245-EN	60.0	8308
60	71	9460-EN	81.5	9491-EN	9493-EN	96.0	9494-EN	89.8	9492-EN	9459-EN	69.5	8308
	121	9460-EN	81.5	9491-EN	9495-EN	96.0	9496-EN	89.8	9492-EN	9459-EN	69.5	8308

<sup>1</sup> Length of closed shaft from c/c of joints.



## POWER TAKE OFF WITH «CV80» JOINT

CENTRAL PART

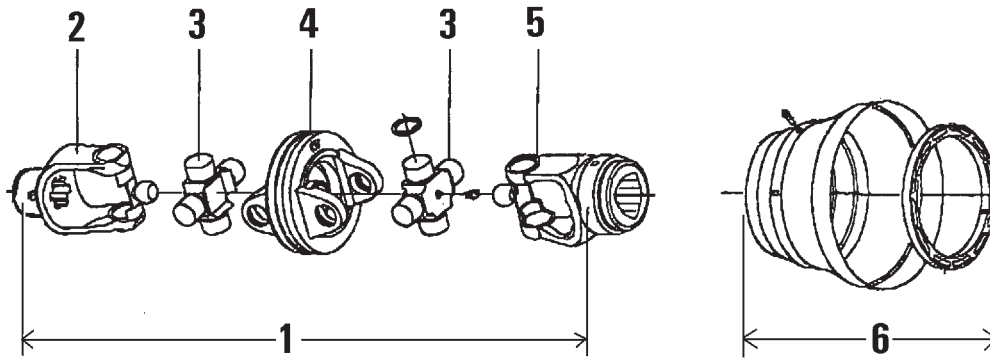


SERIE	HP		L			
	540 RPM	1000 RPM	71 cm	91 cm	111 cm	121 cm
20	21	31	---	T20-091P-CV80	T20-111P-CV80	---
40	35	55	---	T40-091P-CV80	---	T40-121P-CV80
60	64	100	---	T60-091P-CV80	---	T60-121P-CV80
80	95	150	T80-071P-CV80	T80-091P-CV80	---	T80-121P-CV80

**N.B.** To complete the power take off, you must choose a standard yoke and a «CV80» joint yoke, and add to the price of the central part.

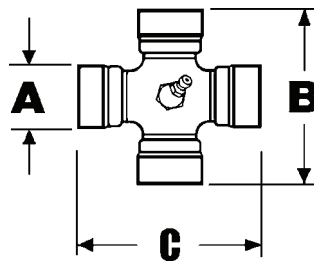


## «CV80» JOINT



SERIE		1 Complete CV80	2 Yoke CV80	3 U-joints	4 CV80 only	5 Yoke for outer tube	6 Shield cone
20	1 3/8" - 6 QD	T20-CV-1386QD	6409-CVQD	6208-CV	6591	6430-CV	6578-CV
	1 3/8" - 21 QD	T20-CV-13821QD	6409-1-CVQD	6208-CV	6591	6430-CV	6578-CV
40	1 3/8" - 6 QD	T40-CV-1386QD	6354-CVQD	6239-CV	6592	6430-CV	8302-CV
	1 3/8" - 21 QD	T40-CV-13821QD	6354-1-CVQD	6239-CV	6592	6430-CV	8302-CV
60	1 3/8" - 6 QD	T60-CV-1386QD	8250-CVQD	8238-CV	8342	8240-CV	8302-CV
	1 3/8" - 21 QD	T60-CV-13821QD	8250-1-CVQD	8238-CV	8342	8240-CV	8302-CV
	1 3/4" - 20 QD	T60-CV-13420QD	8250-3-CVQD	8238-CV	8342	8240-CV	8302-CV
80	1 3/8" - 6 QD	T80-CV-1386QD	9455-CVQD	9208-CV	9499	9209-CV	9491-CV
	1 3/8" - 21 QD	T80-CV-13821QD	9463-CVQD	9208-CV	9499	9209-CV	9491-CV
	1 3/4" - 20 QD	T80-CV-13420QD	9224-CVQD	9208-CV	9499	9209-CV	9491-CV

## «CV80» U-JOINTS

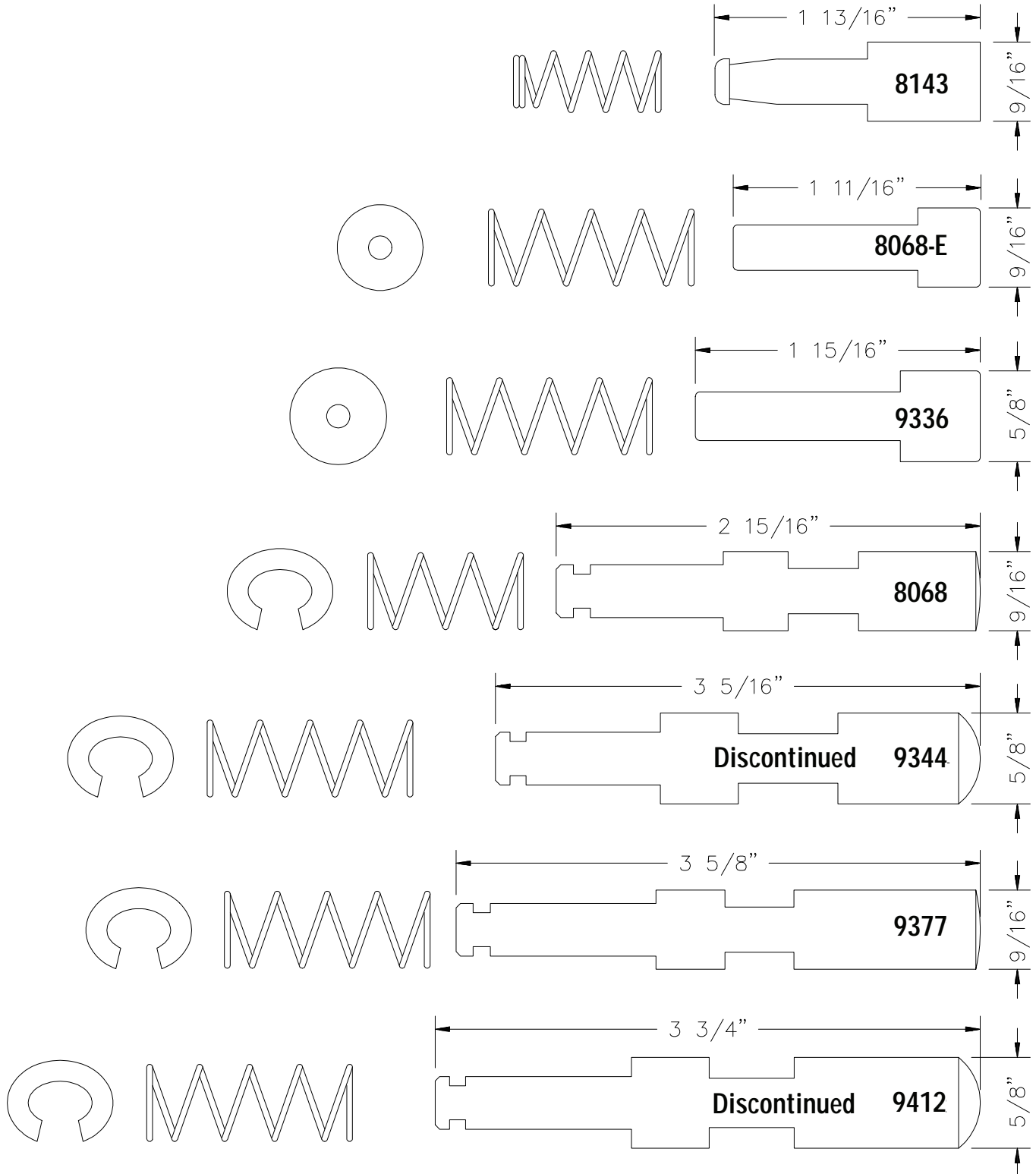


SERIE	A (mm)	B (mm)	C (mm)	PART #
20CV	23.8	74.1	82.1	6208-CV
40CV	27.0	85.8	91.2	6239-CV
60CV	30.2	95.4	101.4	8238-CV
80CV	34.9	106.3	113.8	9208-CV



# PUSH PIN

Various push pin sets shown full size.



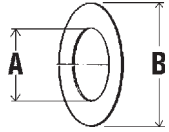


## ***BOLTS CHART***

Part no.	Length (mm)	Diameter (mm)	Grade
6207	40	6	8.8
6238	50	8	8.8
8072	55	10	8.8
8218	60	10	8.8
8222	70	12	8.8
9207	60	12	10.9
9207-1	65	12	8.8
9207-375	65	12 (machined to 3/8")	8.8
9461	90	12	8.8
9515	70	14	8.8
9662	80	16	8.8



## ***FRICTION PLATE CHART***

	Part no.	A (mm)	B (mm)
	8318	68	120
	8313	77.5	142
	8328	90	152



## ***PTO'S USED WITH THE PRONOVOST SNOWBLOWERS***

COMPLETE		1/2 PTO TRACTOR SIDE (EXT)		1/2 PTO IMPLEMENT SIDE (INT.)	
NUMBER	DESCRIPTION	NUMBER	DESCRIPTION	NUMBER	DESCRIPTION
6408-E	T20-056P	6225	QD 1 3/8"-6 CAN.	6224	SBP 1 3/8"-6 CAN.
6545	T20-056P	6435	SBP 1 3/8"-6 CAN	6546	ROND 1"
6248-EG	T40-071P	6237	QD 1 3/8"-6 CAN.	6236	SBI 1 3/8"-6 CAN.
8000	T50-071P	8081	SBP 1 3/8"-6 CAN	8082	ROND 1 1/2"
8114-EG	T50-071P	8236	QD 1 3/8"-6 CAN.	8235	SBI 1 3/8"-6 CAN.
8202-R	T60-071P	—————	SBP 1 3/8"-6 CAN	—————	ROND 1 1/2"
8202	T60-071P	8242	QD 1 3/8"-6 CAN.	8241	SBI 1 3/8"-6 CAN.
8202-1	T60-071P	8242-1	QD 1 3/8"-21 CAN.	8241	SBI 1 3/8"-6 CAN.
190-00471	T60-121P	8241-1-121	SBP 1 3/8"-6 CAN	8242-121	QD 1 3/8"-6 CAN.
9225-EG	T80-076P	9457	QD 1 3/8"-6 CAN.	9456	SBI 1 3/4"-20 CAN.
9225-1	T80-066P	6457	QD 1 3/8"-6 CAN.	9456-1	SBI 1 3/8"-6 CAN.
9569	T80-066P	9457-2	QD 1 3/8"-21 CAN.	9456	SBI 1 3/4"-20 CAN.
9569-1	T80-066P	9457-3	QD 1 3/4"-20 CAN.	9456	SBI 1 3/4"-20 CAN.
9225-V	V80-076P	9457-V	QD 1 3/8"-6 CAN.	9456-V	SBI 1 3/4"-20 CAN.
9475	T90-071P	9485	QD 1 3/8"-6 CAN.	9484	SBI 1 3/4"-20 CAN.
9475-1	T90-071P	9485-1	QD 1 3/8"-21 CAN.	9484	SBI 1 3/4"-20 CAN.
9475-2	T90-071P	9485-2	QD 1 3/4"-20 CAN.	9484	SBI 1 3/4"-20 CAN.
9598	V90-071P	9607	QD 1 3/8"-6 CAN.	9608	SBI 1 3/4"-20 CAN.
9599	V90-071P	9607-1	QD 1 3/8"-21 CAN.	9608	SBI 1 3/4"-20 CAN.
9604	V90-071P	9607-2	QD 1 3/4"-20 CAN.	9608	SBI 1 3/4"-20 CAN.

This list includes the standard and optional PTO'S used presently and also with the models from previous years.



You are looking for «American»  
or «Walterscheid» series parts?

Look at our



driveline components catalog





Ce manuel est aussi disponible en français.  
Veuillez téléphoner.



INNOVATION - EXCELLENCE

LES MACHINERIES PRONOVOST INC.  
260 Route 159,  
Saint-Tite, Quebec, Canada, G0X 3H0  
Tel.: (418) 365-7551, Fax: (888) 652-9270