

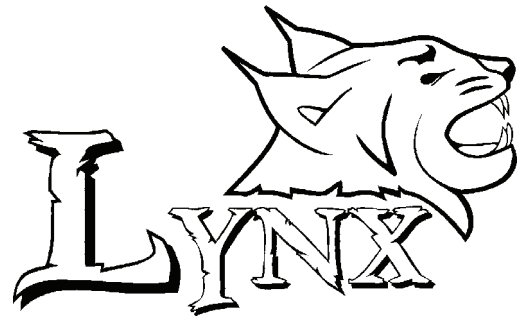


**HARDY**  
subsidiary of Pronovost

**OPERATOR'S / PARTS  
MANUAL**

C2904

03/2010



**LYNX 74**

**GENERAL SAFETY**

**WHEN YOU SEE THIS SYMBOL**



**ATTENTION!  
BE ALERT**

**YOUR SAFETY IS INVOLVED**

This symbol «**SAFETY ALERT**» is used in this manual and on the safety decals on the Snowblower. It warns you of the possibility of danger. Carefully read, understand and follow all safety recommendations before operating the Snowblower.

- 1) Careful operation is the best assurance against accidents. Carefully read this manual and follow all recommendations before operating your Snowblower. It is the owner's responsibility to make sure that anyone who will operate the Snowblower will read this manual before operating the equipment.
- 2) Familiarize yourself with all controls and always be ready to stop the Snowblower quickly in case of emergency.
- 3) Never let a child operate the Snowblower.
- 4) Do not modify the Snowblower. Any non authorized modification may affect the efficiency and/or safety of the equipment.
- 5) Never operate the Snowblower with defective parts or if damaged in any way. Have it repaired before operating.
- 6) Make sure all fasteners are in place and properly secured or tightened.
- 7) Avoid wearing loose fitting clothing when working with the Snowblower. These could get entangled in moving parts of the equipment and cause accidents.
- 8) Prolonged exposure to noise may hamper hearing. Protect yourself by wearing adequate protection devices.
- 9) Hydraulic fluids under pressure can damage your skin. Do not use your hands to locate a leak.
- 10) Before the beginning of the snow season, inspect all areas where the Snowblower will be used and remove any object which may cause an accident and/or damage the equipment.
- 11) Never operate your Snowblower in poor visibility or without proper lighting conditions.

**SAFETY IN OPERATION**

- 1) Be sure there are no obstructions around the equipment and that no one stands near the equipment when in operation.
- 2) Do not operate an engine in a confined or non ventilated area.
- 3) Do not perform any adjustments, cleaning, maintenance or repairs with the engine running. The engine must be stopped and the P.T.O. disengaged. Preferably remove the key from the ignition.
- 4) Wear adequate clothing when working in cold or windy conditions.
- 5) Before operating, make sure the P.T.O. is properly installed and secured.
- 6) Before starting-up the Snowblower, make sure the auger and drum areas are free of ice.
- 7) Put P.T.O. control in neutral position before starting engine.
- 8) Keep hands, feet and clothing away from moving parts of the Snowblower. Stay away from the discharge chute.
- 9) Before unplugging the chute, always disengage the P.T.O., stop the engine and relieve all hydraulic pressures.
- 10) Do not operate in excessive inclined conditions. Be careful when turning in slopes.
- 11) Never operate your Snowblower with missing guards or without protective devices in place.
- 12) Do not operate your Snowblower near buildings, windows or other vehicules without prior and proper adjustment of the chute deflector.
- 13) Never aim discharge chute towards people or animals. This may cause serious injuries.
- 14) Always reduce operating speed in slippery conditions.
- 15) Be careful when backing-up, make sure you have good visibility.
- 16) Always be on the lookout for objects which may enter the Snowblower.
- 17) If undue vibrations are felt, disengage the P.T.O., stop the motor and look for the cause of the vibration. Vibration is usually the indication of a problem.
- 18) At the end of the operation, disengage the P.T.O., lower the Snowblower, put transmission in neutral, apply parking brake, stop engine and remove the key from the ignition.

## SAFETY WITH MAINTENANCE

- 1) Perform the Snowblower maintenance according to recommendations contained in this manual.
- 2) Stop engine and relieve all hydraulic pressures before doing inspection, maintenance or repairs.
- 3) Never perform any work under the Snowblower while it is supported only by the tractor's hydraulic system. It must be completely supported by wooden blocks or other safe means.

## SAFETY IN TRANSPORT

- 1) On public roads, use proper safety lights and check local regulations.
- 2) Be alert while driving on the road. Never carry passengers.
- 3) Always disengage P.T.O. while moving from one area of work to another.

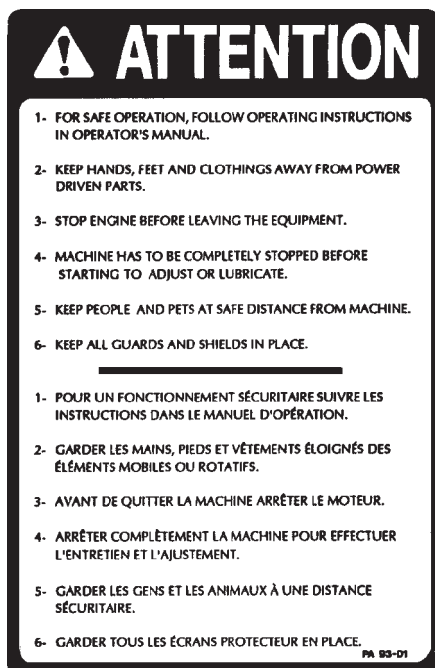
- 4) The recommended road speed should be such as to maintain full control over steering and braking.
- 5) Be careful while backing up, make sure you have good visibility.

## SAFETY IN STORAGE

- 1) Provide adequate supports to prevent any accidental overturning of the Snowblower.
- 2) Do not let children play in the area where the Snowblower is stored.

## SAFETY DECALS

The safety decals are affixed wherever special safety precautions are indicated. Locate them on the machine and read them carefully. If a decal is damaged, lost or illegible, install a new one. Each decal is shown and identified with a part number.



Part no.: A102



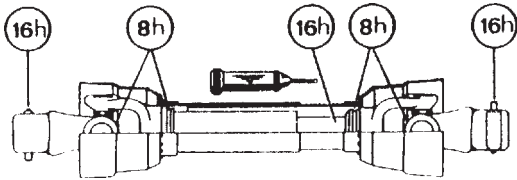
Part no.: A109



Part no.: A108

## MAINTENANCE

- 1) Wipe off all grease fittings with a clean cloth before adding grease in order to avoid injecting dirt and sand.
- 2) Repair or replace damaged grease fittings.
- 3) Lubricate all grease fittings every 8 hours of operation.
- 4) Oil drive chain every 8 hours of operation.
- 5) Lubricate P.T.O. shaft as indicated below:



Pull out the P.T.O. and lubricate between the two tubes with low temperature grease. Drive line tubes must slide easily even in cold weather. Clean off old hardened grease and apply fresh grease as needed.

- 6) Check oil level in gear box once a month. If necessary add oil.
- 7) Check tension of drive chain every 24 hours of operation and adjust if necessary.
- 8) Check for tightness of bearing collars every 48 hours of operation.
- 9) Change gearbox oil once a year. Use gear box oil S.A.E. W90 rated API, class GL-5.

- 10) Check all nuts and bolts once a year.
- 11) For the auger drive shaft, always use grade 2 shear bolts.
- 12) For the PTO shaft, always use a grade 8.8 shear bolt.
- 13) UHMW slides do not require lubrication except at the end of the season in order to prevent corrosion of steel components that are in contact with the UHMW material.

## STORAGE

- 1) Store the Snowblower in a cool, dry place.
- 2) Support the Snowblower with wooden blocks.
- 3) Keep all piston rods in the retracted position. This will assure better protection against the elements.
- 4) Clean your Snowblower.
- 5) Thoroughly inspect all parts of the Snowblower. Replace or repair worn or defective parts.
- 6) Touch-up or repaint if necessary.
- 7) Lubricate all points before storage.

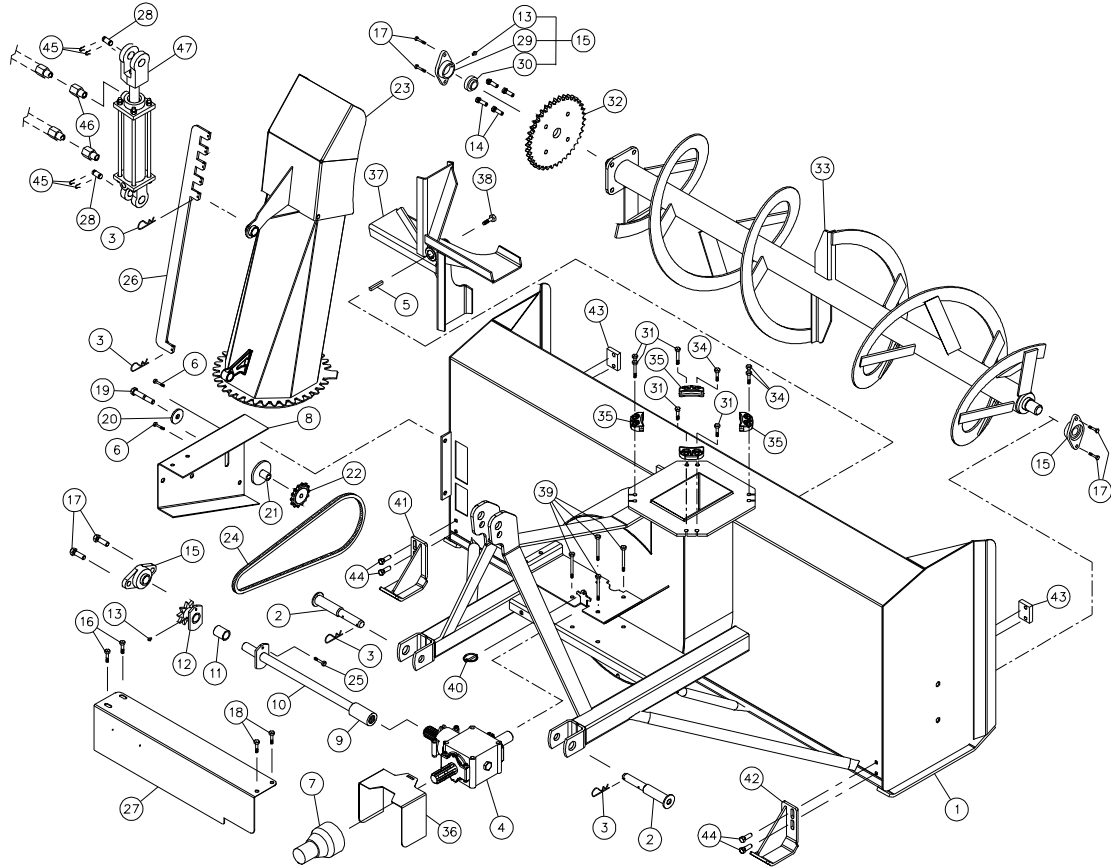
## SPECIFICATIONS

Design and specifications subject to change without notice

MODEL	LYNX 74
Horse power recommended	25 - 35
Working width	74"
Cutting height	29"
Impeller diameter	22"
Depth of drum	8"
Impeller blades	4
Size of impeller shaft	1 1/4"
Impeller RPM	540
Main auger diameter	16"
Drive chain	60
Hitch category	1 & 2
P" T" O" shaft	No. 4
Chute rotation on UHMW	Standard
Weight (lbs)	480

# SNOWBLOWERS LYNX 74

170-05533

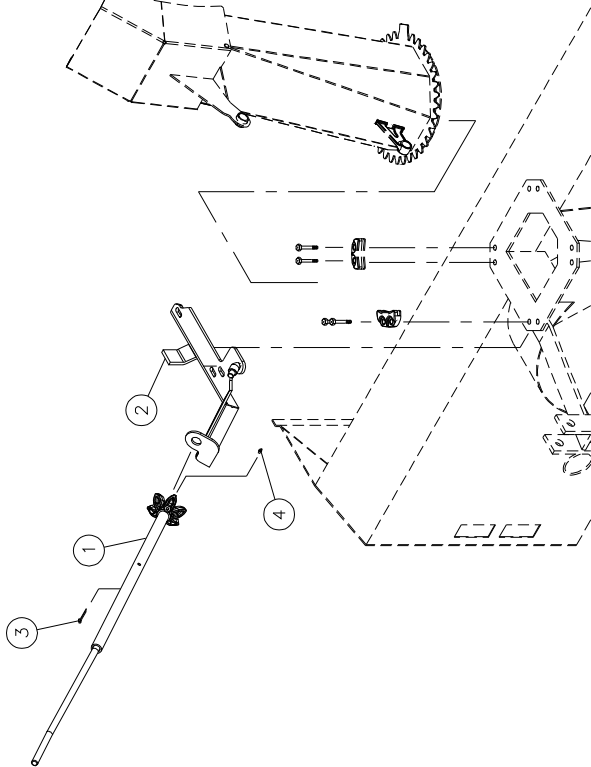


# SNOWBLOWERS LYNX 74 (cont'd)

REF.	PART #	DESCRIPTION	QTY
1	120-07751	Frame 74"	1
2	110-03341	Pin category 1 & 2	2
3	Std.	Hitch pin clip 5/32"	4
4	6451	Gear box T281	1
5	6276	Key 1/4" x 1/4" x 1 3/4" lg	2
6	300-38250	Bolt 7/16" x 1" lg + nylon locknut	2
7	6248-EG	P.T.O. shaft	1
8	130-82731	Chain guard	1
9	6466	Spined adaptor 1 1/4"-19 splines	1
10	110-03113	Auger drive shaft 29 5/16" lg overall (including #9)	1
11	6568	Bushing 1 1/4" i.d. x 1 7/16" o.d. x 2 1/2" lg	1
12	6569	Sprocket # 60 + shearplate (including #11 and #13)	1
13	Std.	Grease fitting 1/4"-28 straight	4
14	300-38310	Bolt 7/16" NC x 1 1/2" lg + two-way locknut	4
15	UCFL207-20	Bearing 1 1/4" ø + flange	3
16	300-36250	Bolt 3/8" NC x 1" lg + nylon locknut & flat washer	2
17	300-40310	Bolt 1/2" NC x 1 1/2" lg + nylon locknut	6
18	300-36250	Bolt 3/8" NC x 1" lg + nylon locknut	2
19	300-40430	Bolt 1/2" NC x 3 1/2" lg + nylon locknut	1
20	378-40340	Flat washer 1/2" i.d. x 2" o.d.	1
21	110-07781	Idler	1
22	8186	Idler sprocket #60	1
23	120-07761	Chute	1
24	190-00552	Chain #60 x 60 3/4" lg	1
25	26A60	Connecting link #60	1
26	59-60	Offset link #60	1
27	312-32250	Shearbolt 1/4" NC x 1" lg grade 2 + nylon locknut	1
28	110-83622	Chute adjusting bar	1
29	130-82791	Auger drive shaft bar	1
30	6004	Clevis pin 1" x 3 7/8" (2)	opt.
31	FL207	Flange	3
32	UC207-20	Bearing 1 1/4" ø	3
33	300-36325	Bolt 3/8" NC x 1 3/4" lg + nylon locknut & flat washer (2)	5
34	8021	Sprocket 60A38 hole 1 1/4" ø	1
35	110-44841	Auger LYNX-74	1
36	300-36310	Bolt 3/8" NC x 1 1/2" lg + nylon locknut	3
37	110-45101	Chute retaining bracket	4
38	130-82941	P.T.O. shroud	1
39	110-44831	Impeller 8" x 22" ø 4 blades T 1 1/4" ø	1
40	300-36280	Bolt 3/8" x 1 1/4" lg (ass. with locTite 242) + lock washer	1
41	300-36550	Bolt 3/8" NC x 5 1/2" lg + flat washer + nylon locknut	4
42	Std.	Lynch pin 3/16" x 1 1/4"	1
43	110-44931	Skid shoe (left side) (1)	opt.
44	110-44941	Skid shoe (right side) (1)	opt.
45	140-23981	Back plate (2)	opt.
46	300-38280	Bolt 7/16" NC x 1 1/4" lg + flat washer + spring washer (4)	opt.
47	Std.	Hairpin cotter (4)	opt.
48	46 RSP-116x08 NPT	Kit of two unidirectional restrictors	opt.
49	25TR08	Cylinder 2 1/2" dia. x 8" stroke	opt.

# MANUAL CHUTE KIT MD-74

170-05713

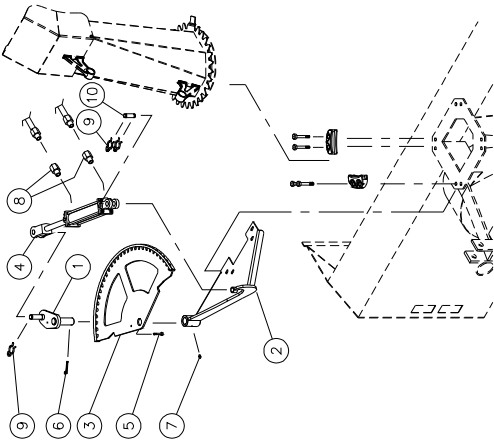


REF.	PART #	DESCRIPTION	QTY
1	110-28442	Crank	1
2	110-28383	Base	1
3	Std.	Roll pin 1/4" x 1 3/4" lg	1
4	Std.	Grease fitting 1/4"-28 straight	1

# HYDRAULIC CHUTE KIT HRD-74

170-04313L

## INSTALLATION OF THE CHUTE ROTATION MECHANISM

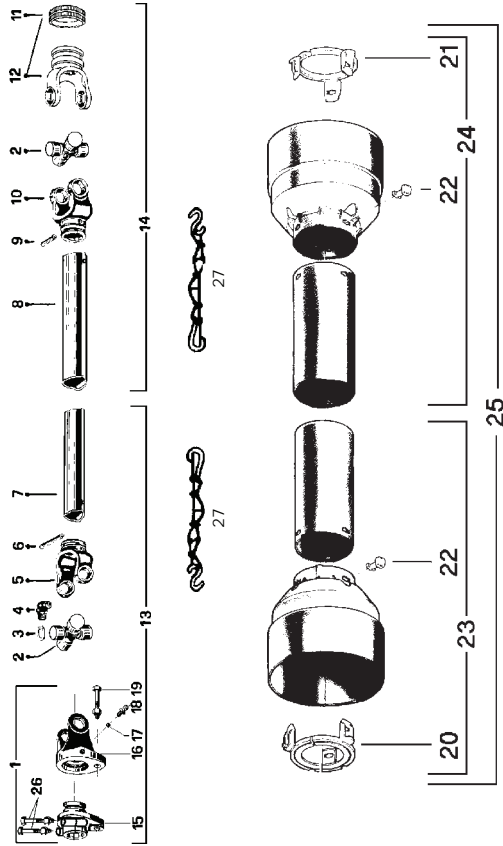


- 1- Put the two first tooth one in the other (see **A**)
- 2- Check and adjust the hydraulic cylinder as indicated before installing:

Model	Min	Max
HRD-74	20 1/4"	28 1/4"

REF.	PART #	DESCRIPTION	QTY
1	110-28391	Pivot	1
2	110-28402	Base	1
3	110-28421	Arc	1
4	25TR08	Cylinder 2 1/2" x 8" stroke	1
5	Std.	Bolt 1/4" NC x 1 1/2" lg grade 5 + nylon locknut	1
6	Std.	Cotter pin 1/4" x 2"	1
7	Std.	Grease fitting 1/4"-28 straight	1
8	RS-116x06 NPT	Kit of two unidirectional restrictors	opt.
8	RS-116x08 NPT	Kit of two unidirectional restrictors	opt.
9	Std.	Hairpin cotter 7/8"	3
10	6004	Clevis pin 1" x 3 1/8" lg	1

# P.T.O. SHAFT #6248-EG (T40)

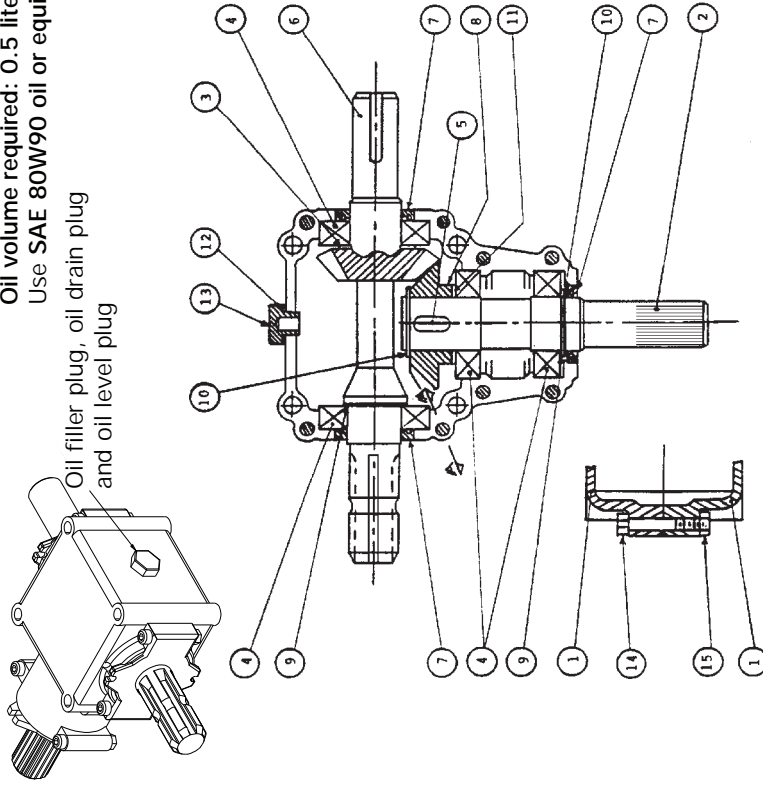


REF.	PART #	DESCRIPTION	QTY
1	6232-2	Safety shear yoke (2 bolts)	1
2	6239	U-joint + 4 retaining rings + 1 grease fitting	2
3	6234	Retaining ring	8
4	8110	Grease fitting	2
5	6353	Yoke for inner tube	1
6	6344	Stopper for inner tube	1
7	6343	Inner tube	1
8	6342	Outer tube	1
9	6341	Stopper for outer tube	1
10	6340	Yoke for outer tube	1
11	8363	Collar kit	1
12	6354	Yoke with hole 1 3/8" - 6 splines + yoke stopper	1
13	6236	P.T.O. section, side with safety shear bolt, inner part, without protector	1
14	6237	P.T.O. section, side without safety shear bolt, outer part, without protector	1
15	6233-2	Adaptor (2 bolts)	1
16	6235	Yoke and shearplate	1
17	8070	Ball	17
18	8071	Grease fitting	1
19	6238	Safety shear bolt M8 x 50mm	1
20	6349-E	Bearing ring for inner guard tube	1
21	6348-E	Bearing ring for outer guard tube	1
22	8109	Stopper	6
23	6351	Inner shield	1
24	6350	Outer shield	1
25	6352	Complete shield	1
26	8222	Bolt MT2 x 70mm	2
27	8308	Safety chain	2

# GEAR BOX #6451 (T281)

170-05571

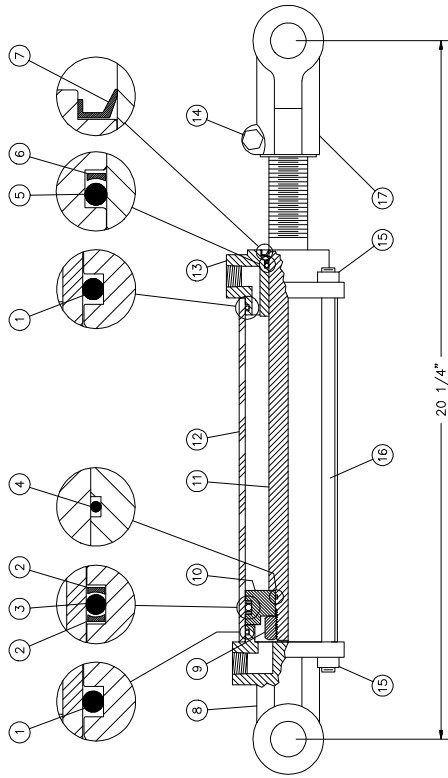
Oil volume required: 0.5 liter.  
Use SAE 80W90 oil or equivalent.



REF.	PART #	DESCRIPTION	QTY
1	6414	Casing	2
2	6429	Side shaft (1 1/4" - 19 splines)	1
3	6416	Spacer 35.3 x 48	1
4	6207-2RS	all bearing	4
5	6418	Key 10 x 8 x 30	1
6	6419	Impeller shaft (1 1/4" & 1 3/8" - 6 splines)	1
7	6420	Seal 35 x 52 x 7	1
8	6421	Gear Z19	3
9	6422	Spacer 35.3 x 0.5	1
10	6423	Snap ring 35 UNI7435	2
11	6424	Spacer 35.3 x 0.6	1
12	6425	Oil seal	1
13	6426	Oil plug (oil levelplug, oil filler plug and oil drain plug)	1
14	6427	Bolt M8 x 55	8
15	6428	Nut M8	8

# CYLINDER 25TR08

15050



REF.	PART #	DESCRIPTION	QTY
1	See RK25TR	O-ring 1/8" x 2 1/4" x 2 1/2"	2
2	See RK25TR	Back-up 2 1/2" o.d. x 3/16" ø	2
3	See RK25TR	O-ring 3/16" x 2 1/8" x 2 1/2"	1
4	See RK25TR	O-ring 1/16" x 5/8" x 3/4"	1
5	See RK25TR	O-ring 1/8" x 1 1/8" x 1 3/8"	1
6	See RK25TR	Back-up 1 3/8" d.e. x 1/8" ø	1
7	See RK25TR	Wiper 1 1/8" d.i. x 1 5/8" d.e.	1
8	492401	Yoke (for 2 1/2" tube)	1
9	338-46000	Nut 3/4" NF	1
10	4924-31	Piston 2 1/2" ø	1
11	491980	Piston rod 1 1/8"	1
12	491668	Cylinder body 2 1/2" ø	1
13	492421	Head (for 2 1/2" tube)	1
14	300-36355	Bolt 3/8" NC x 2 1/4" lg + nut	1
15	336-36000	Nut 3/8" NC	8
16	Std.	Threaded rod 3/8" NC x 8" lg	4
17	458599	Yoke (for 1 1/8" rod)	1
NI*	8183	Pin 1" ø + cotter pin	2
NI*	RK25TR	Repair kit for cylinder 2 1/2" (Includes # 1, 2, 3, 4, 5, 6, & 7)	1

\*NI = NOT ILLUSTRATED

# WARRANTY

PRONOVOST / HARDY warrants this product to the initial purchaser for the period of one year from the date of purchase against defects in materials and workmanship.

We will replace or repair defective parts free of charge if they are returned to our plant in Portneuf, Quebec, Canada.

Transportation charges are the responsibility of the customer. This warranty is not transferable.

Hydraulic cylinders are covered by the manufacturer of these items.

The PTO shafts are warranted by the manufacturer and cover **only** defects in material and workmanship, and is conditional to recommended use and installation only.

All PRONOVOST spare parts purchased are covered by a three (3) month warranty.

This warranty becomes void and nul if the equipment is modified, breaks down as the result of an accident, is not operated according to manufacturer's recommendations, damaged by negligence or if maintenance has not been carried out as specified.

Our obligation is limited to the replacement or repair of the defective part. PRONOVOST / HARDY accepts no responsibility for direct or indirect consequential damages of any kind.

Ce manuel est aussi disponible en français.  
Veuillez téléphoner.



**LES ÉQUIPEMENTS HARDY INC.**  
100, rue St-Arthur,  
Portneuf, (Québec)  
Canada, G0A 2Y0  
Tel.: (418) 286-6621, Fax: (418) 286-3733  
Web site: [www.gohardy.com](http://www.gohardy.com)  
e-mail: [info@gohardy.com](mailto:info@gohardy.com)