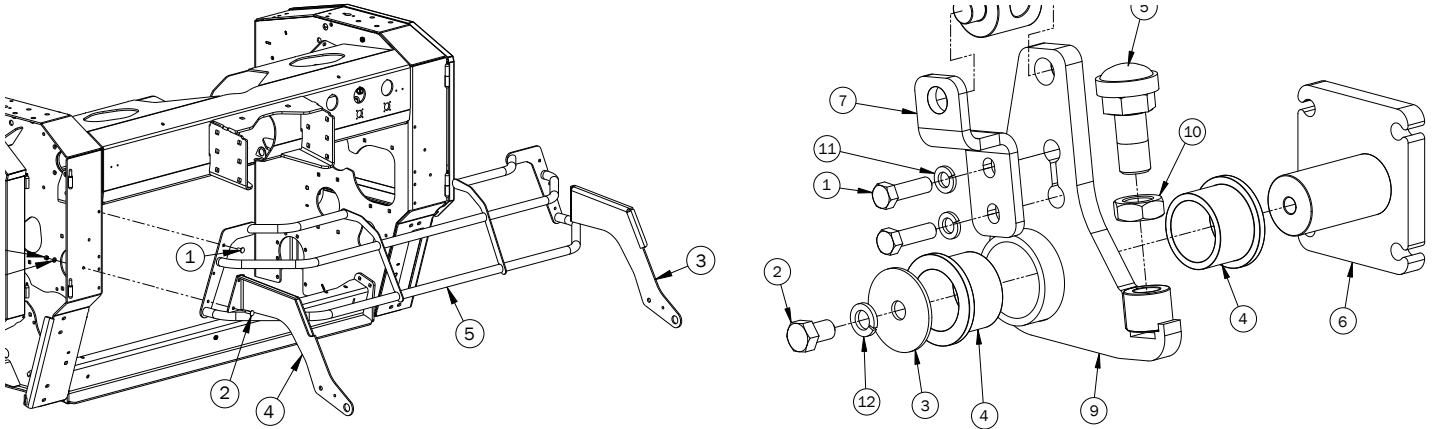


windrower | moldboard merger | swath spreader | tedder



Macerator 6610



Parts Catalogue 2006

July 2006



Replacement Parts

To obtain prompt, efficient service, give the dealer the following information.

1. Correct stock number.
2. Model number of the machine.
3. Serial number of the machine.

The serial number is important in identifying your machine. It contains information for ordering replacement parts and options which may vary depending on the serial number identification.

Measurements are given in U.S. units followed by the equivalent in metric units. Hardware sizes are given in inches for the U.S. hardware and millimeters for the metric hardware.

All nuts and bolts are specified in Grade 5 unless otherwise specified.

AgLand	
Box 479 Arborg MB, R0C 0A0	
Model #:	Macerator 6610
Serial #:	
Made in Canada	

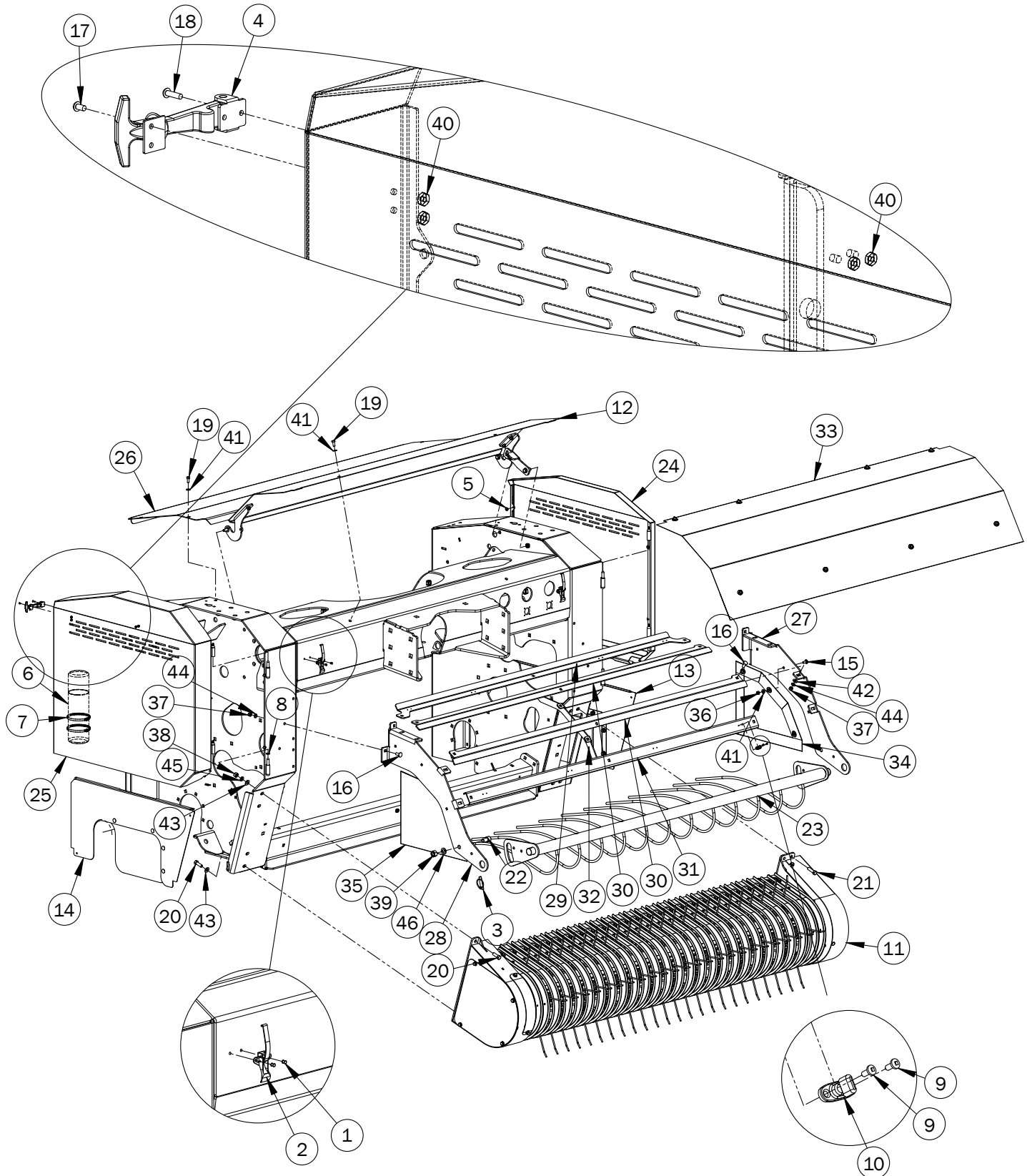
Serial # on plate inside right side cover.

Table of Contents

Macerator Parts Order Form	Front of Catalogue
Pickup, Guards & Shields Assembly	
View A.....	2-3
View B.....	4-5
Side Covers	6-7
Top Cover - Hingeable	8-9
Pickup	
Right Side.....	10-11
Left Side.....	12-13
Left Side Drive.....	14-15
Pickup Wrappers, Short	16-17
Main Frame & Hitch Assembly	18-19
Drive Line Assembly	20-21
Steel Roll Assembly	22-23
540 RPM Gearbox - MC611A	24-25
1000 RPM Gearbox - MC611	26-27
540 RPM Drive Shaft - MC612B	28-29
1000 RPM Drive Shaft - MC612C	30-31
Over-Running Clutch - MC617A	32-33
Gearbox U-Joints - MC616A	34-35
Right Side	
View A.....	36-37
View B.....	38-39
Drives.....	40-41
Left Side	
View A.....	42-43
View B.....	44-45
Drives.....	46-47
Lift Bracket Assembly - Right & Left Sides	48-49
Height Adjuster	50-51
Gap Adjusters	52-53
Axle Assembly	54-55
Wheel Hub Assembly	56-57
Hydraulics	58-59
Cylinder Assembly	60-61
Air System	62-63
Lights & Emblem Assembly	64-65
Attachments	
Attachment Brackets.....	66-67
Windrower Attachment Kit K101.....	68-69
Spreader, Adjustable Attachment Kit K102.....	70-71
Moldboard Attachment Kit K105.....	72-73
Tedder Attachment Kit K104.....	74-75
Tedder Attachment Kit K104 Hydraulics.....	76-77
Tedder Attachment Kit K104 Turnbuckle Assembly.....	78-79
Decals	80-81
Index	
Stock Numbers.....	82-89
Drawing Numbers.....	90-97
Warranty	Back Cover

Pickup, Guards & Shields Assembly - View A

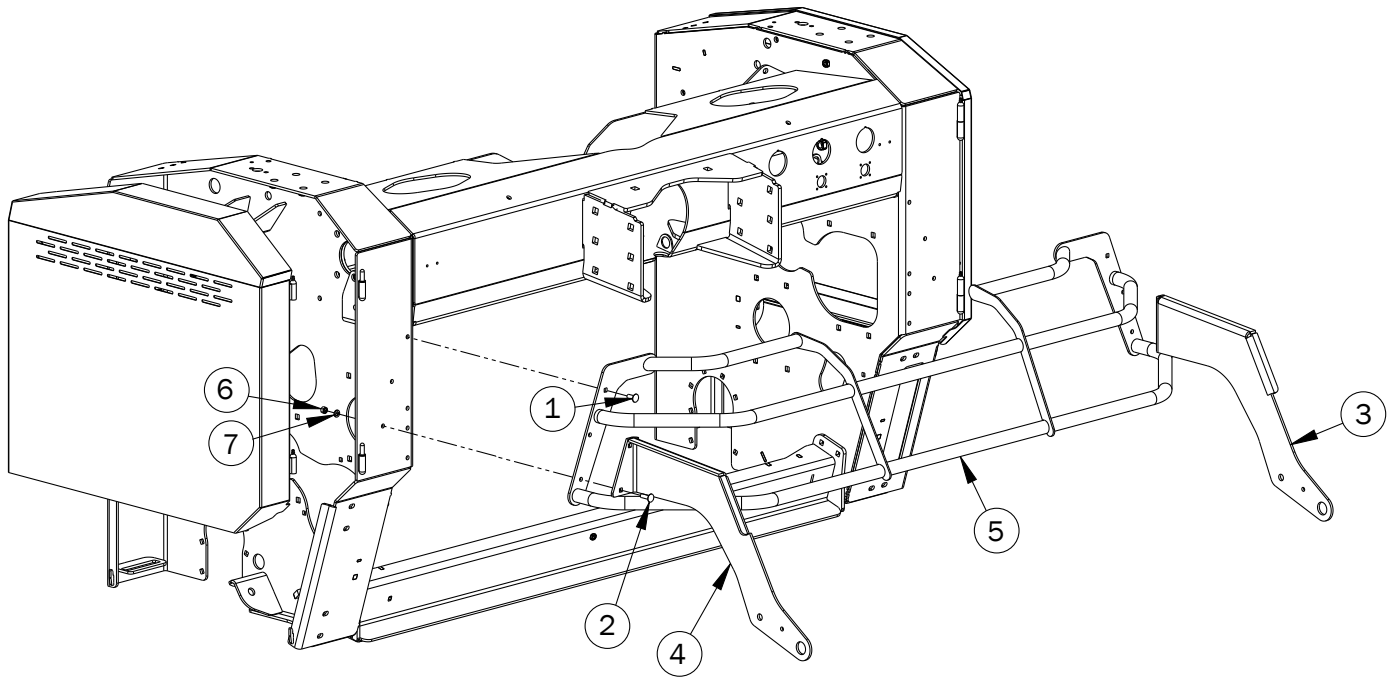
Item No.	Stock No.	Drawing No.	Description	Qty.
1	800159	800159	Rivet, Steel, Blind, 0.187"	4
2	800396	800396	Steel Latch	2



Pickup, Guards & Shields Assembly - View A

Item No.	Stock No.	Drawing No.	Description	Qty.
3	801818	801818	Pin, Lynch, 7/16"	2
4	804137	804137	Draw Latch	4
5	807546	807546	Silencer, Steel Door	8
6	807559	807559	Container - Manual	1
7	807581	807581	Clamp, Hose, #72	2
8	808476	808476	Hinge Washer	4
9	808716	808716	R1 No. 6 x 3/8" Screw, Sheetmetal, Round Head	16
10	808816	808816	Stud, Twist Lock, Turn Fastener	8
11	804157r01	A66003	Pickup, Macerator (See pages 10-17)	1
12	-	A66004	Top Cover, Hingeable (See pages 8-9)	1
13	-	A66013	Cover, Side, L/H (See pages 6-7)	1
14	-	A66014	Cover, Side, R/H (See pages 6-7)	1
15	800062	BOC20035	5/16" x 3/4" Bolt, Carr.	6
16	800057	BOC24045	3/8" x 1" Bolt, Carr.	16
17	803611	BORSS6-3201	6-32 x 1/4" Screw	8
18	803612	BORSS6-3202	6-32 x 1/2" Screw	8
19	800209	BOS20035	5/16" x 3/4" Bolt, Standard	6
20	803625	BOS28055	7/16" x 1-1/4" Bolt, Standard	6
21	800219	BOS28065	7/16" x 1-1/2" Bolt, Standard	2
22	800231	BOSH40045	5/8" x 1" Cap Screw, Socket Head	2
23	803780r02	MC14W3	Comb	1
24	803861r01	MC21W6AL	Door, L/H	1
25	803863r01	MC21W6AR	Door, R/H	1
26	803970r02	MC241	Top Cover, Rear	1
27	808682	MC3116L	Comb Arm, L/H	1
28	808678	MC3116R	Comb Arm, R/H	1
29	808685	MC3117	Bar, Guard Front	1
30	808688	MC3118	Bar, Guard Front	2
31	808694	MC3119	Bar, Guard Front	1
32	808691	MC3121	Support, Guard Front	1
33	808718	MC854	Screen, Main, Macerator	1
34	808720	MC855L	Screen, Side, L/H, Macerator	1
35	808719	MC855R	Screen, Side, R/H, Macerator	1
36	804194	NUTS20	5/16" Nut, Standard	6
37	800236	NUTS24	3/8" Nut, Standard	16
38	800240	NUTS28	7/16" Nut, Standard	3
39	804198	NUTS40	5/8" Nut, Standard	2
40	804191	NUTS6-32	6-32 Nut, Machine	16
41	807522	WAF20M	5/16" SAE Washer, Flat	12
42	807523	WAF24M	3/8" SAE Washer, Flat	12
43	807799	WAF28M	7/16" SAE Washer, Flat	8
44	804366	WAL24	3/8" Washer, Lock	16
45	806556	WAL28	7/16" Washer, Lock	8
46	804368	WAL40	5/8" Washer, Lock	2

Pickup, Guards & Shields Assembly - View B

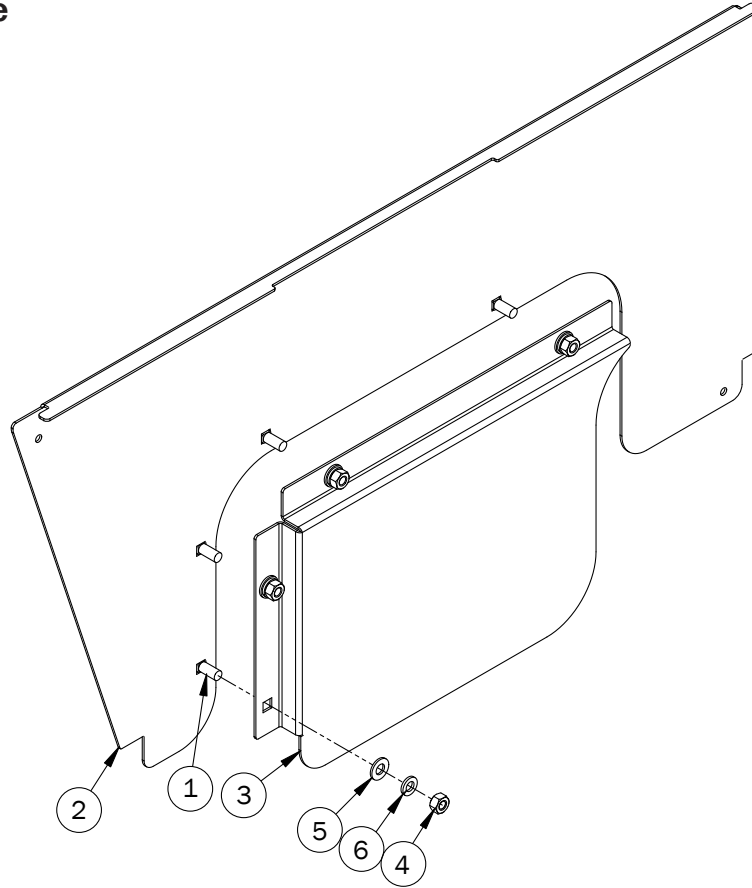


Pickup, Guards & Shields Assembly - View B

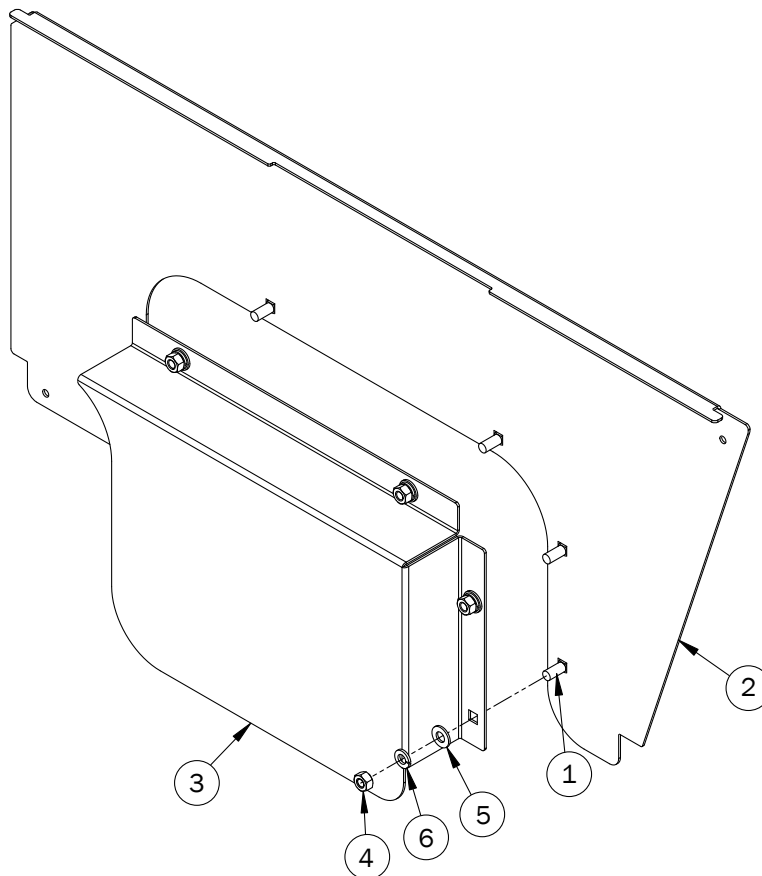
Item No.	Stock No.	Drawing No.	Description	Qty.
1	800057	BOC24045	3/8" x 1" Bolt, Carr.	2
2	800059	BOC24055	3/8" x 1-1/4" Bolt, Carr.	4
3	807045	MC141L	Comb Arm, L/H	1
4	807047	MC141R	Comb Arm, R/H	1
5	804057r01	MC31W1	Guard	1
6	800236	NUTS24	3/8" Nut, Standard	6
7	804366	WAL24	3/8" Washer, Lock	6

Side Covers

Side Cover - Right Side



Side Cover - Left Side



Side Covers

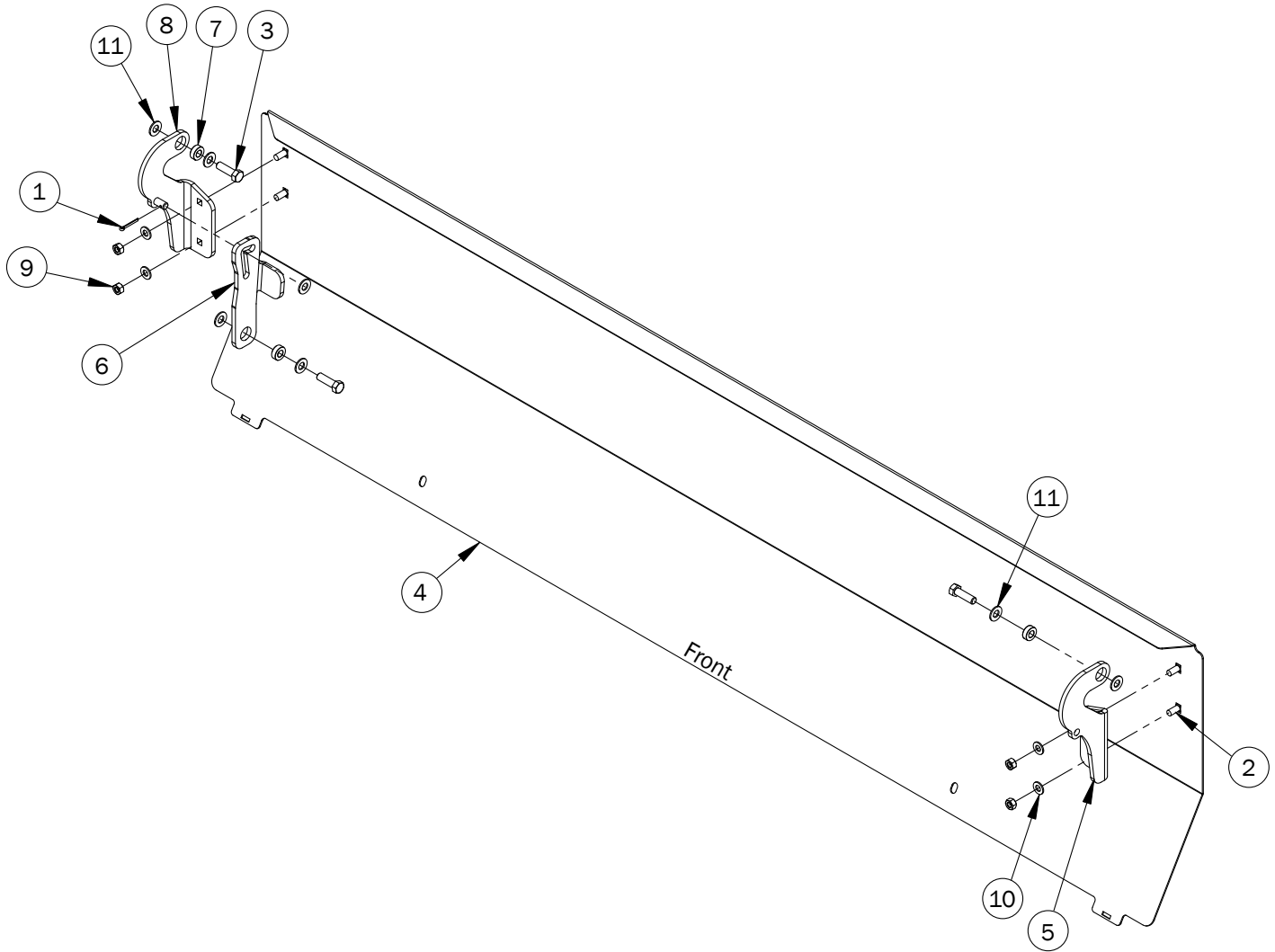
Side Cover - Right Side

Item No.	Stock No.	Drawing No.	Description	Qty.
1	800062	BOC20035	5/16" x 3/4" Bolt, Carr.	4
2	810504	MC242R	Cover, Side, R/H	1
3	810512	MC243R	Plate, Cover, R/H	1
4	804194	NUTS20	5/16" Nut, Standard	4
5	807522	WAF20M	5/16" SAE Washer, Flat	4
6	807528	WAL20	5/16" Washer, Lock	4

Side Cover - Left Side

Item No.	Stock No.	Drawing No.	Description	Qty.
1	800062	BOC20035	5/16" x 3/4" Bolt, Carr.	4
2	810501	MC242L	Cover, Side, L/H	1
3	810509	MC243L	Plate, Cover, L/H	1
4	804194	NUTS20	5/16" Nut, Standard	4
5	807522	WAF20M	5/16" SAE Washer, Flat	4
6	807528	WAL20	5/16" Washer, Lock	4

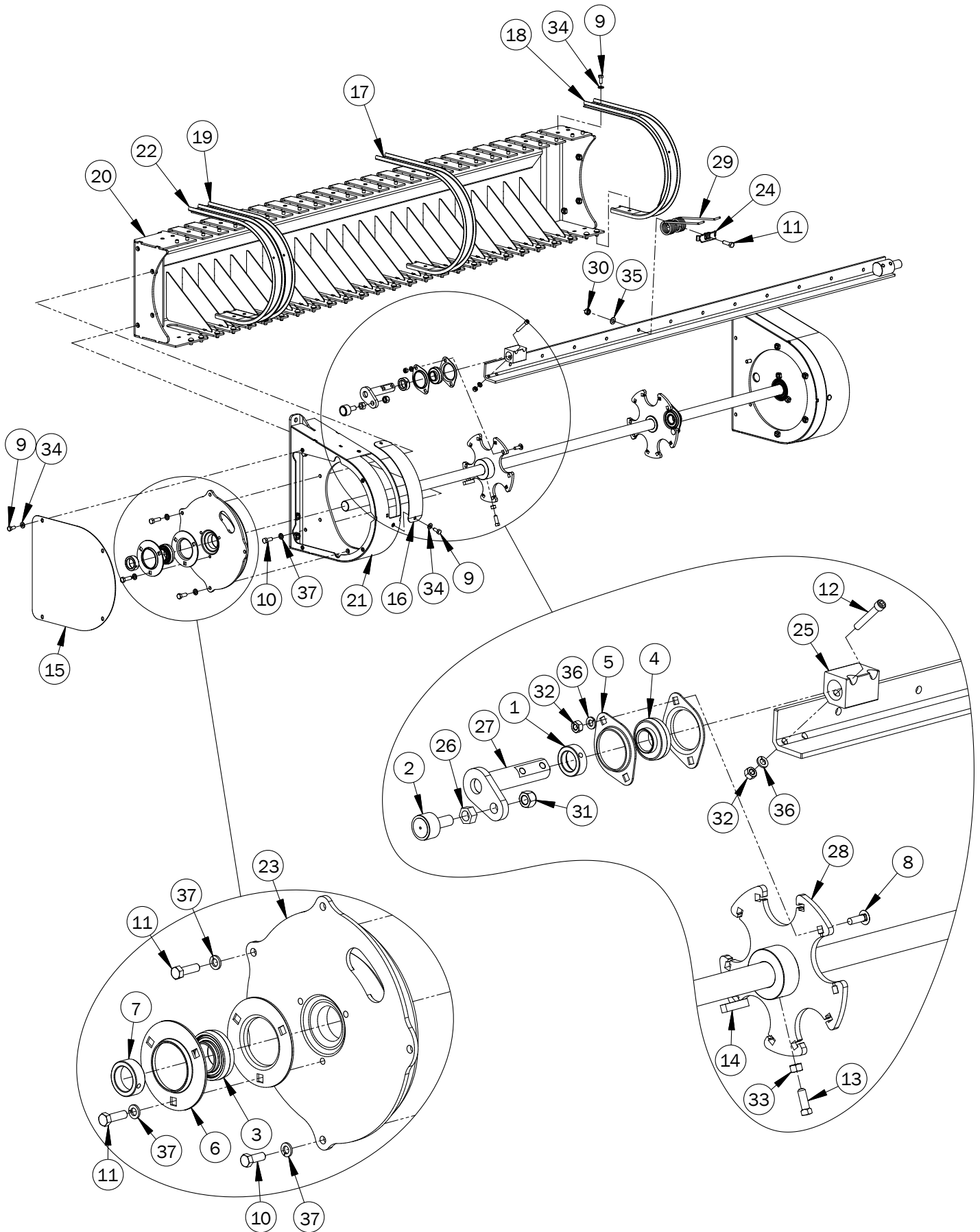
Top Cover - Hingeable



Top Cover - Hingeable

Item No.	Stock No.	Drawing No.	Description	Qty.
1	807685	807685	Pin, Cotter, 0.125" x 1"	1
2	800062	BOC20035	5/16" x 3/4" Bolt, Carr.	4
3	800197	BOS24055	3/8" x 1-1/4" Bolt, Standard	3
4	807043	MC241A	Top Hingeable Cover	1
5	807034	MC241BR	Top Cover Hinge Brk, R/H	1
6	807035	MC241C	Top Cover Hinge Brace	1
7	803994	MC248C	7mm Bushing 3/8" ID	3
8	807033	MC24W1BL	Hinge - Top Cover	1
9	804194	NUTS20	5/16" Nut, Standard	4
10	807522	WAF20M	5/16" SAE Washer, Flat	4
11	807523	WAF24M	3/8" SAE Washer, Flat	7

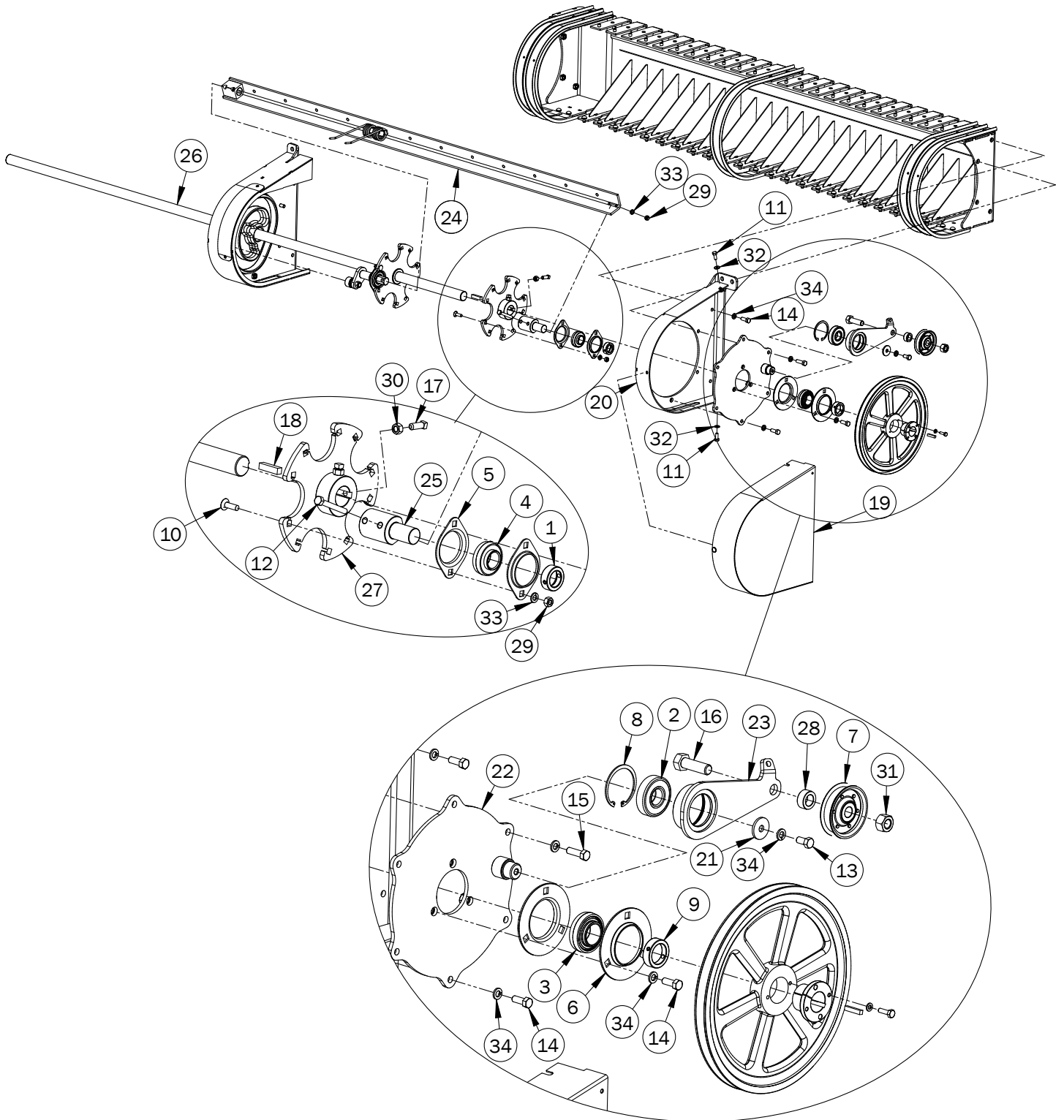
Pickup - Right Side



Pickup - Right Side

Item No.	Stock No.	Drawing No.	Description	Qty.
1	800045	800045	Collar, Locking	5
2	804059	804059	Stud Bearing	5
3	804061	804061	Bearing/Locking Collar	1
4	804062	804062	Bearing/Locking Collar	5
5	804064	804064	Bearing Flange, 2 Bolt	10
6	804066	804066	Bearing Flange, 3 Bolt	2
7	808355	808355	Collar, Locking	1
8	807516	BOC20045	5/16" x 1" Bolt, Carr.	10
9	800209	BOS20035	5/16" x 3/4" Bolt, Standard	33
10	800195	BOS24045	3/8" x 1" Bolt, Standard	5
11	800197	BOS24055	3/8" x 1-1/4" Bolt, Standard	65
12	800228	BOSH20088	5/16" x 2" Cap Screw, Socket Head, Gr. 8	10
13	800259	BOSQ24045	3/8" x 1" Setscrew, Sq Hd	2
14	807869	KE2406	3/8" x 1-1/2" Key	1
15	803716r02	MC112	Cover, Pickup	1
16	803722	MC113	Access Cover	1
17	803730r01	MC114	Wrapper, Pickup	23
18	803732r01	MC118L	Pickup Wrapper, Short, L/H (See pages 16-17)	1
19	803734r01	MC118R	Pickup Wrapper, Short, R/H (See pages 16-17)	1
20	803742r02	MC11W1	Pickup Cross Frame	1
21	803746r03	MC11W3	Pickup Frame, R/H	1
22	803748r01	MC11W4	Wrapper, Pickup End, Short	2
23	807406	MC122	Cam Track	1
23	810787	MC123	Cam Track - Heavy Duty	1
24	808596	MC1310	Clamp, Pickup Tooth	60
25	803765	MC1312	Tooth Bar, Block	5
26	803767	MC133M	Cam Bearing Spacer	5
27	803773	MC13W3	Cam Arm	5
28	810383	MC13W4	Bearing Bracket Star Wheel	1
29	804113	MC750	Tooth, Pickup	60
30	806636	NUTLP24	3/8" Nut, Pinch Lock	60
31	804190	NUTLP32FT	1/2" Nut, Pinch Lock, Fine Thread	5
32	804194	NUTS20	5/16" Nut, Standard	20
33	800236	NUTS24	3/8" Nut, Standard	2
34	807522	WAF20M	5/16" SAE Washer, Flat	33
35	807523	WAF24M	3/8" SAE Washer, Flat	60
36	807528	WAL20	5/16" Washer, Lock	20
37	804366	WAL24	3/8" Washer, Lock	10
38	809470	809470	Tooth Clamp Kit (Including items 11, 24, 29, 30 and 35.)	1

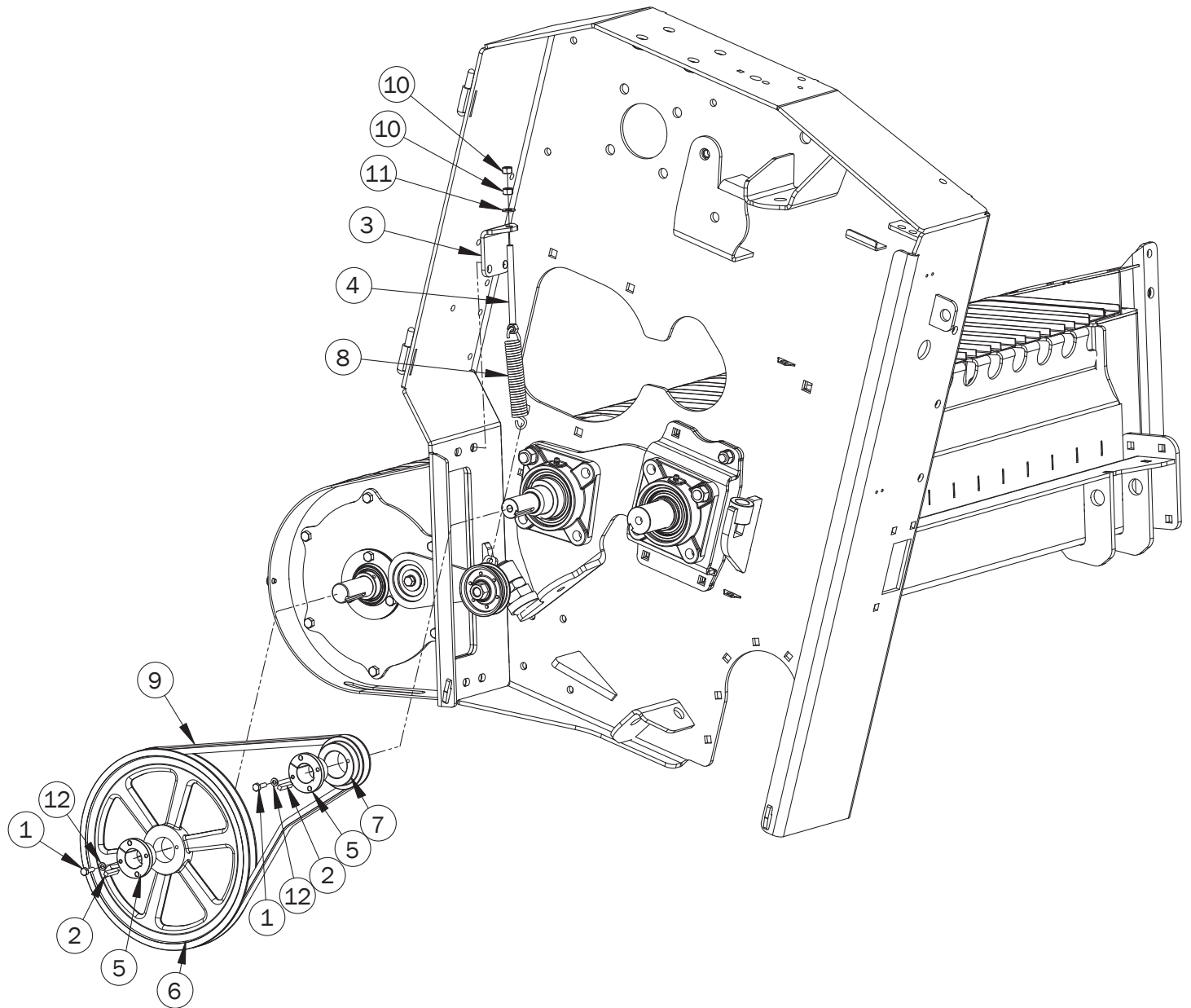
Pickup - Left Side



Pickup - Left Side

Item No.	Stock No.	Drawing No.	Description	Qty.
1	800045	800045	Collar, Locking	5
2	803586	803586	Bearing	1
3	804061	804061	Bearing	1
4	804062	804062	Bearing	5
5	804064	804064	Bearing Flange, 2 Bolt	10
6	804066	804066	Bearing Flange, 3 Bolt	2
7	804237	804237	3" Flat Idler	1
8	807402	807402	Internal Retaining Ring	1
9	808355	808355	Collar, Locking	1
10	807516	BOC20045	5/16" x 1" Bolt, Carr.	10
11	800209	BOS20035	5/16" x 3/4" Bolt, Standard	2
12	800207	BOS20108	5/16" x 2-1/2" Bolt, Standard, Gr. 8	10
13	803623	BOS24035	3/8" x 3/4" Bolt, Standard	1
14	800195	BOS24045	3/8" x 1" Bolt, Standard	9
15	800197	BOS24055	3/8" x 1-1/4" Bolt, Standard	2
16	800212	BOS40085	5/8" x 2" Bolt, Standard	1
17	800259	BOSQ24045	3/8" x 1" Setscrew, Sq Hd	2
18	807869	KE2406	3/8" x 1-1/2" Key	1
19	807101	MC112W3	Pickup Side Cover	1
20	803744r03	MC11W2	Pickup Frame, L/H	1
21	807472	MC1253	Washer	1
22	803755r02	MC12W1	Plate, Holder, Bearing	1
23	803760r01	MC12W5	Tightener Arm, Pickup Belt	1
24	803764	MC1311	Tooth Bar	5
25	803766	MC133A	Tooth Bar Shaft	5
26	810386	MC135	Main Shaft, Pickup	1
27	810383	MC13W4	Bearing Bracket Star Wheel	1
28	804042r02	MC255C	Spacer - Belt Tightener	1
29	804194	NUTS20	5/16" Nut, Standard	20
30	800236	NUTS24	3/8" Nut, Standard	2
31	804198	NUTS40	5/8" Nut, Standard	1
32	807522	WAF20M	5/16" SAE Washer, Flat	2
33	807528	WAL20	5/16" Washer, Lock	20
34	804366	WAL24	3/8" Washer, Lock	12

Pickup - Left Side Drive

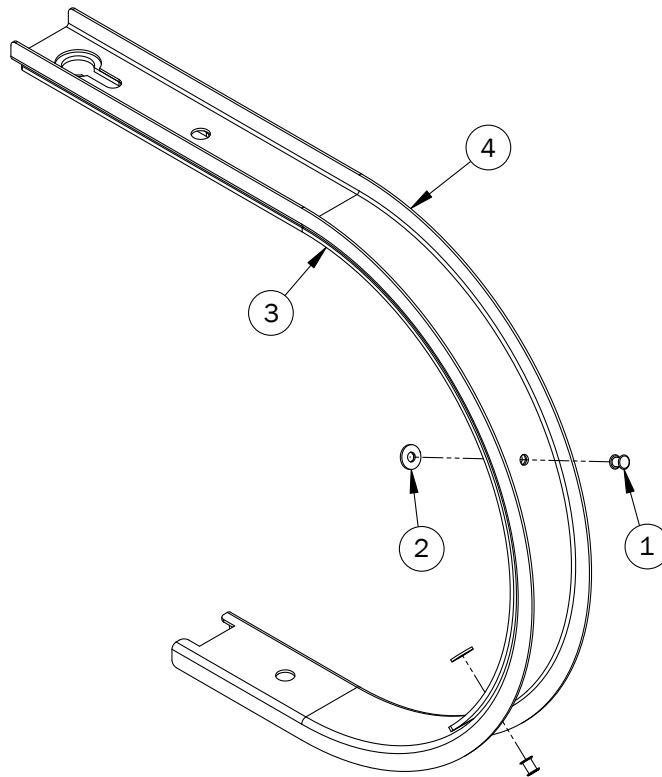


Pickup - Left Side Drive

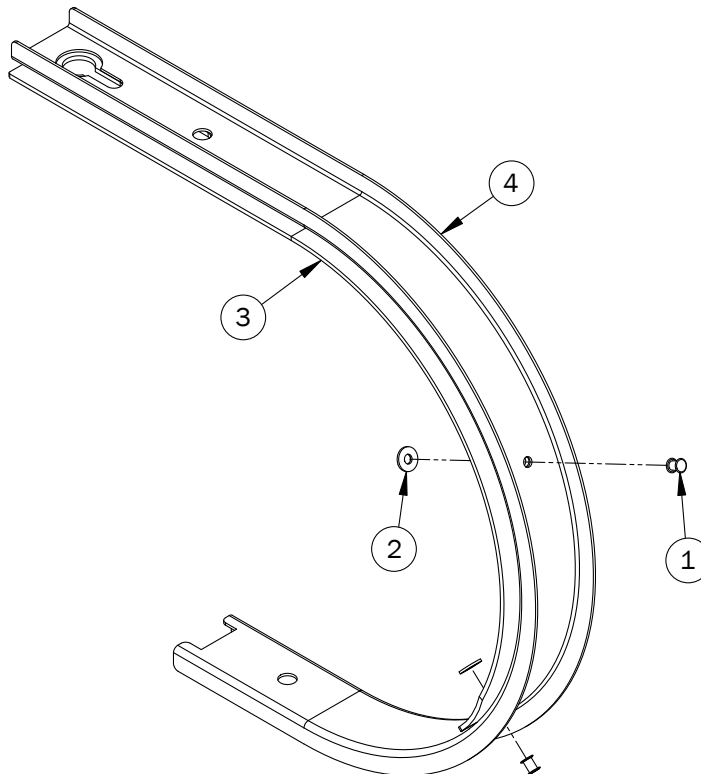
Item No.	Stock No.	Drawing No.	Description	Qty.
1	808111	808111	1/4" x 7/8" Bolt, Standard	4
2	803660	KE1605	1/4" x 1-1/4" Key	2
3	807037	MC125A	Tightener Pull Bracket - Pickup	1
4	803761	MC12W6	Tightening Rod	1
5	801171	MC812S	L 1-1/4" Hub	2
6	804238	MC827S	MBL127 Pulley	1
7	804239	MC828S	MBL33 Pulley	1
8	804134	MC832	Spring Extension Pickup Idler	1
9	802922	MC839B	V-Belt, BX54	1
10	800236	NUTS24	3/8" Nut, Standard	2
11	807523	WAF24M	3/8" SAE Washer, Flat	1
12	808353	WAL16	1/4" Washer, Lock	4

Pickup Wrappers, Short

Pickup Wrapper, Short - Right Side MC118R



Pickup Wrapper, Short - Left Side MC118L



Pickup Wrappers, Short

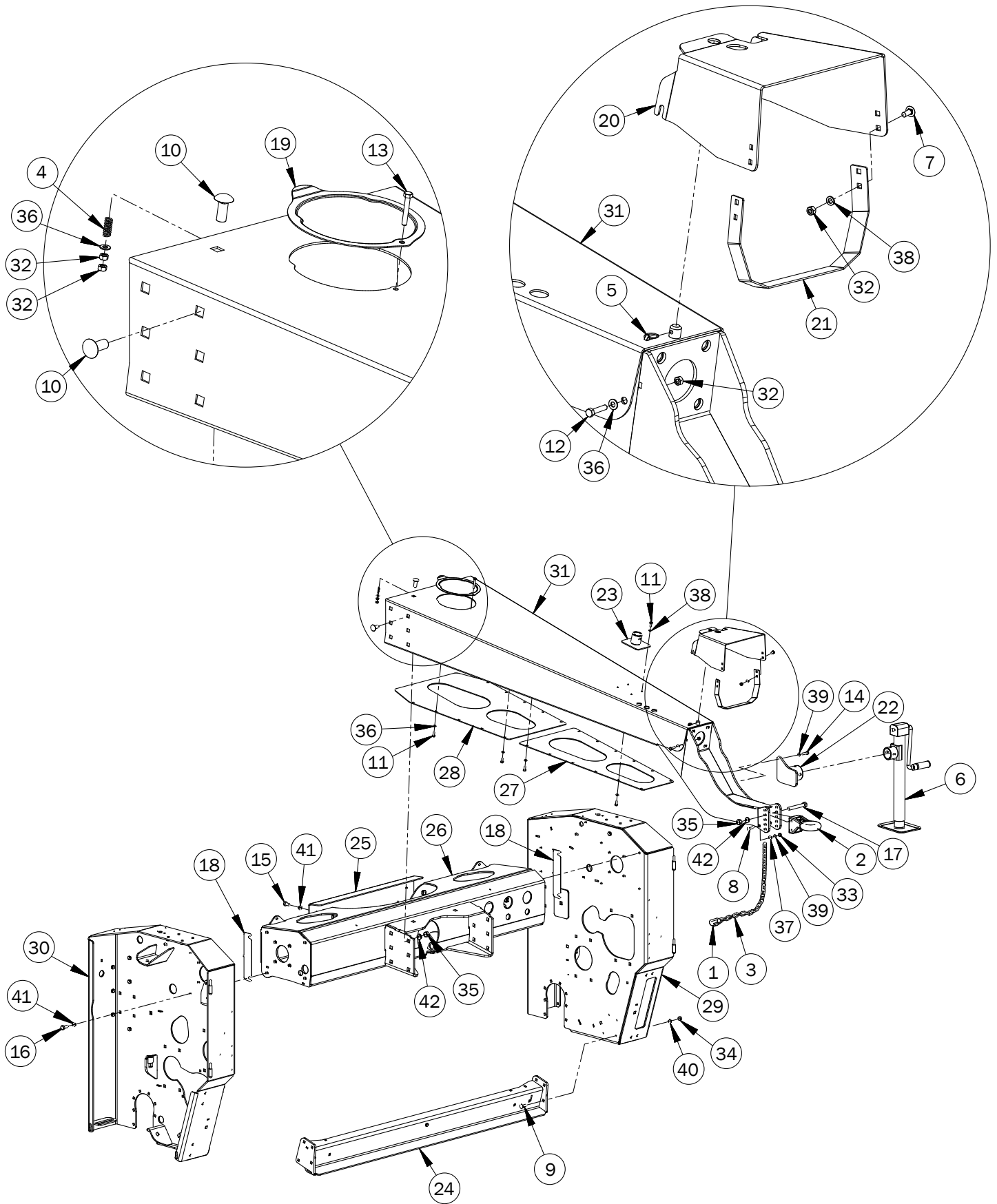
Pickup Wrapper, Short - Right Side MC118R

Item No.	Stock No.	Drawing No.	Description	Qty.
1	800159	800159	Rivet, Steel, Blind, 0.187"	2
2	800276	800276	No. 10 Washer, Flat	2
3	803729	MC114B	Spacer, Pickup Wrapper	1
4	803733r01	MC114S	Wrapper, Pickup	1

Pickup Wrapper, Short - Left Side MC118L

Item No.	Stock No.	Drawing No.	Description	Qty.
1	800159	800159	Rivet, Steel, Blind, 0.187"	2
2	800276	800276	No. 10 Washer, Flat	2
3	803729	MC114B	Spacer, Pickup Wrapper	1
4	803733r01	MC114S	Wrapper, Pickup	1

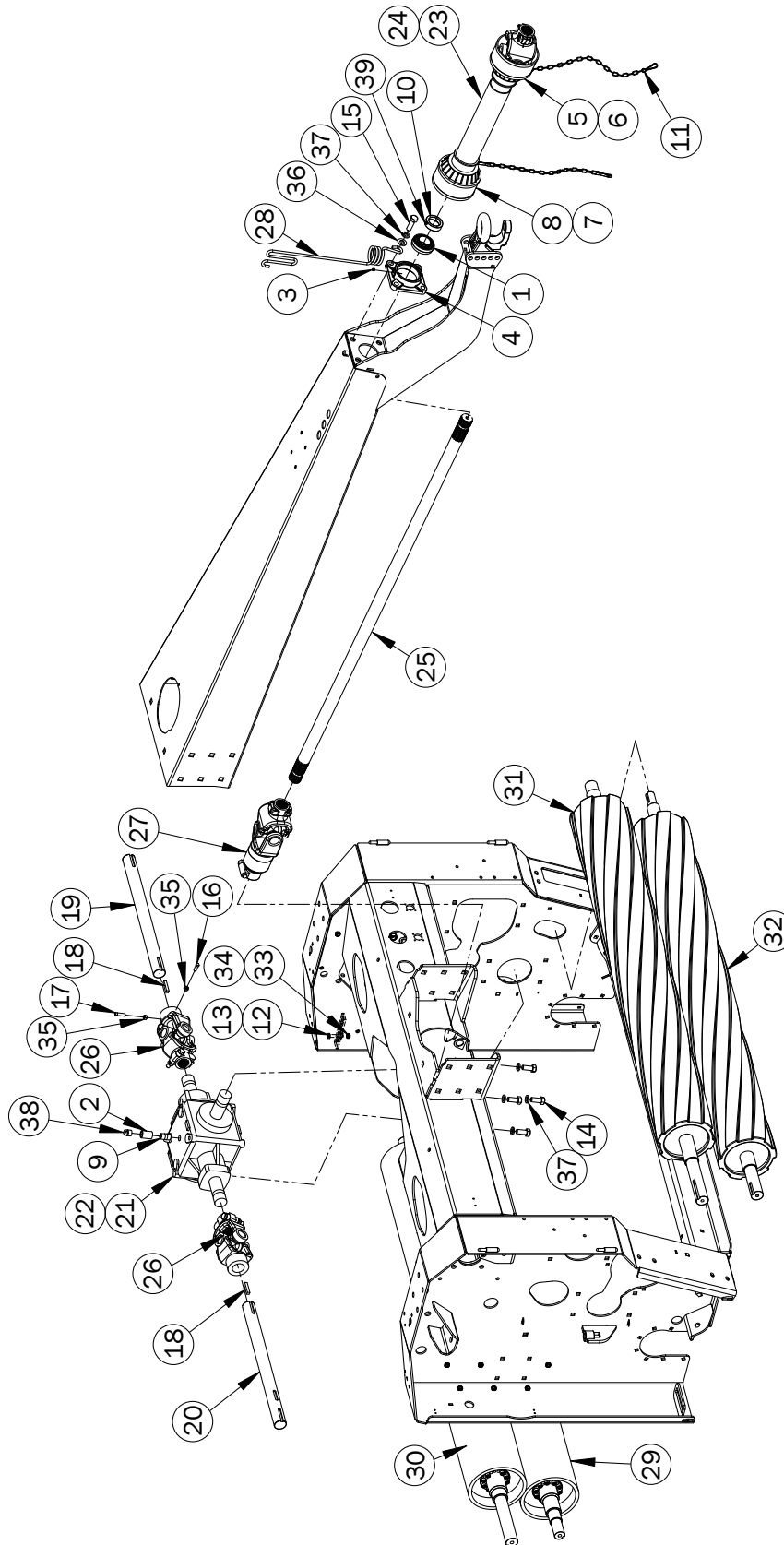
Main Frame & Hitch Assembly



Main Frame & Hitch Assembly

Item No.	Stock No.	Drawing No.	Description	Qty.
1	803622	803622	Quick Link, Chain, 5/16"	2
2	804090	804090	Cast Hitch	1
3	804110	804110	Chain, Travel Safety	2
4	804301	804301	Spring, Compression	1
5	807403	807403	3/16" Lynch Pin	1
6	807550	807550	Side Wind Jack	1
7	800062	BOC20035	5/16" x 3/4" Bolt, Carr.	4
8	800059	BOC24055	3/8" x 1-1/4" Bolt, Carr.	2
9	800073	BOC28055	7/16" x 1-1/4" Bolt, Carr.	8
10	800064	BOC40065	5/8" x 1-1/2" Bolt, Carr.	14
11	800209	BOS20035	5/16" x 3/4" Bolt, Standard	26
12	800205	BOS20065	5/16" x 1-1/2" Bolt, Standard	2
13	800206	BOS20085	5/16" x 2" Bolt, Standard	1
14	800197	BOS24055	3/8" x 1-1/4" Bolt, Standard	4
15	800164	BOS32045	1/2" x 1" Bolt, Standard	4
16	800166	BOS32055	1/2" x 1-1/4" Bolt, Standard	8
17	800216	BOS40185	5/8" x 4-1/2" Bolt, Standard	2
18	808714	MC2140	Shim, Main Crossbeam (Optional)	-
19	803824	MC215C	Drive Line Service Cover	1
20	803827	MC215E	Cover, Safety, PTO	1
21	807578	MC215G	Strap - Safety, PTO	1
22	803855	MC21W5C	Jack Mount Bracket	1
23	803857	MC21W5D	Jack Storage Bracket	1
24	803869	MC21W8	Crossbeam, Cylinder	1
25	810473	MC233A	Plate, Reinforcement, Crossbeam	1
26	810437	MC23W3	Crossbeam, Main	1
27	810427	MC275A	Cover, Front, A-Frame	1
28	810429	MC275B	Cover, Back, A-Frame	1
29	810392	MC27W1	Main Frame, L/H	1
30	810388	MC27W2	Main Frame, R/H	1
31	810446	MC27W5	A-Frame	1
32	804194	NUTS20	5/16" Nut, Standard	8
33	800236	NUTS24	3/8" Nut, Standard	2
34	800240	NUTS28	7/16" Nut, Standard	8
35	804198	NUTS40	5/8" Nut, Standard	16
36	807522	WAF20M	5/16" SAE Washer, Flat	25
37	807523	WAF24M	3/8" SAE Washer, Flat	2
38	807528	WAL20	5/16" Washer, Lock	8
39	804366	WAL24	3/8" Washer, Lock	6
40	806556	WAL28	7/16" Washer, Lock	8
41	804367	WAL32	1/2" Washer, Lock	12
42	804368	WAL40	5/8" Washer, Lock	16

Drive Line Assembly

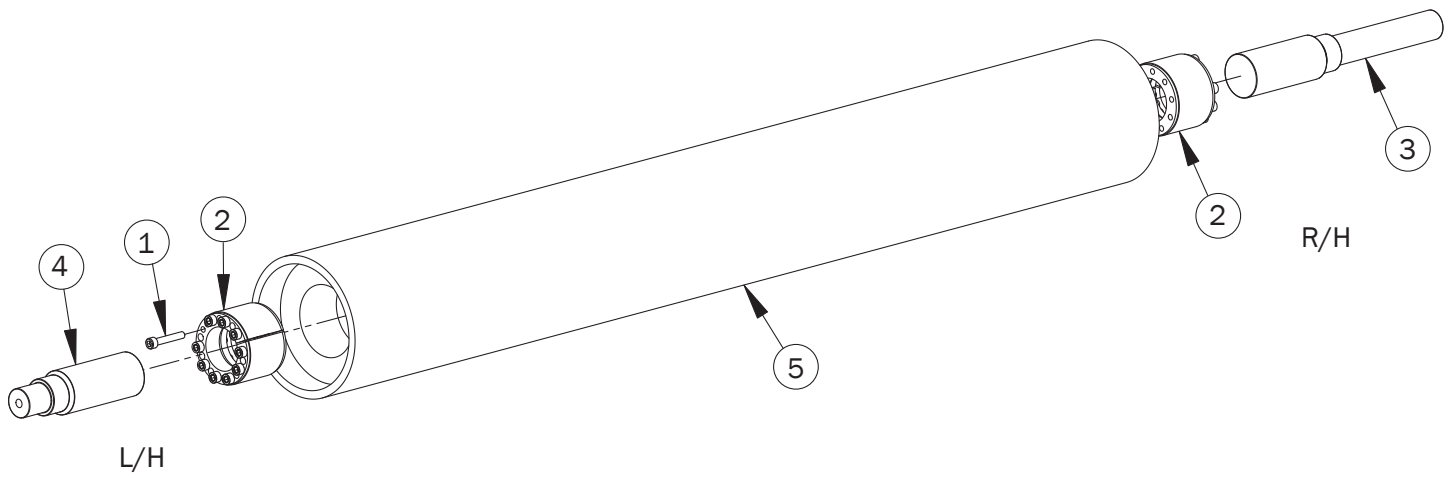


Drive Line Assembly

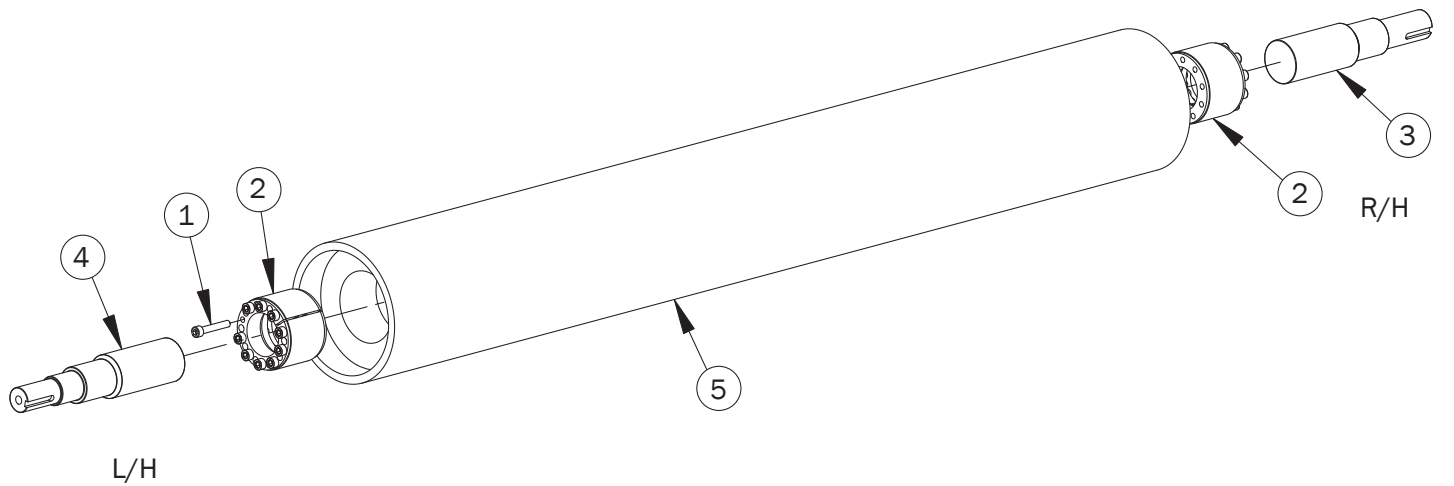
Item No.	Stock No.	Drawing No.	Description	Qty.
1	800048	800048	Bearing	1
2	800876	800876	Coupling, Black 1/2"	1
3	807558	807558	Nipple, Grease 1/4" NF	1
4	807890	MC512A	Housing, 4 Bolt	1
5	808044	808044	Shaft, Outer Half, 1000 RPM	1
6	808045	808045	Shaft, Outer Half, 540 RPM	1
7	808046	808046	Shaft, Inner Half, 540 RPM	1
8	808047	808047	Shaft, Inner Half, 1000 RPM	1
9	808107	808107	Nipple, Black 1/2" x 1-1/2"	1
10	808109	808109	Collar, Locking	1
11	808776	808776	Chain, Safety Tube, PTO	2
12	807784	BOM10505	10mm x 50mm Bolt, Metric (Shear Bolt 1000 RPM)	5
13	807791	BOM12505	12mm x 50mm Bolt, Metric (Shear Bolt 540 RPM)	5
14	800211	BOS40065	5/8" x 1-1/2" Bolt, Standard	4
15	800212	BOS40085	5/8" x 2" Bolt, Standard	4
16	800259	BOSQ24045	3/8" x 1" Setscrew, Sq Hd	2
17	807156	BOSQ24055	3/8" x 1-1/4" Setscrew, Sq Hd	2
18	803662	KE2408	3/8" x 2" Key	2
19	803897	MC2271	Stub, Drive Shaft	1
20	807041	MC227B	Stub, Drive Shaft	1
21	804081	MC611	Gear Box, Black, 1000 RPM (See pages 26-27)	1
22	804082	MC611A	Gear Box, Silver, 540 RPM (See pages 24-25)	1
23	807562	MC612B	PTO Drive Shaft Assembly, 540 RPM	1
24	807563	MC612C	PTO Drive Shaft Assembly, 1000 RPM	1
25	804087	MC615	Drive Shaft	1
26	807565	MC616	U Joint (See pages 34-35)	2
27	807564	MC617A	Over-Running Clutch (See pages 32-33)	1
28	807513	MC723	Spring - Hose Holder	1
29	804114r02	MC760	Bottom Steel Roll (See pages 22-23)	1
30	804115r03	MC761	Top Steel Roll (See pages 22-23)	1
31	801609r02	MC770	Top Rubber Roll	1
32	801612r01	MC771	Bottom Rubber Roll	1
33	804189	NUTL10	10mm Nut, Nylon Lock (1000 RPM)	5
34	807792	NUTL12	12mm Nut, Nylon Lock (540 RPM)	5
35	800236	NUTS24	3/8" Nut, Standard	4
36	807525	WAF40M	5/8" SAE Washer, Flat	1
37	804368	WAL40	5/8" Washer, Lock	8
38	807866	807866	Vent: 1/2 NPT	1
39	808200	808200	Screw, Set, 3/8" x 3/8"	1

Steel Roll Assembly

Top Steel Roll Assembly MC761



Bottom Steel Roll Assembly MC760



Steel Roll Assembly

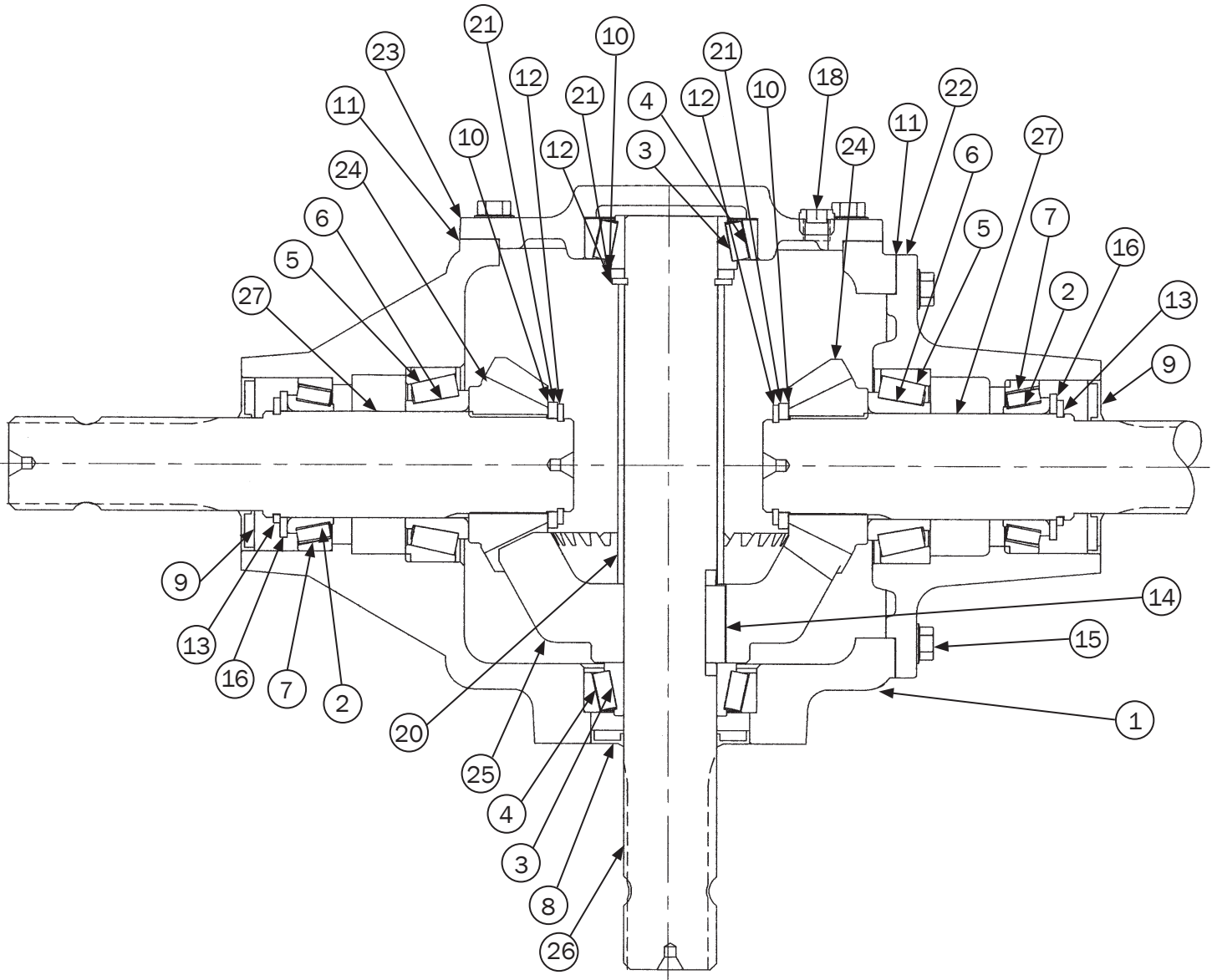
Top Steel Roll Assembly MC761

Item No.	Stock No.	Drawing No.	Description	Qty.
1	808123	808123	10mm x 60mm Capscrew, Socket Head, Gr. 8	20
2	808128	808128	B-Lock Hub	2
3	808359	MC761D	Stub Shaft, R/H	1
4	808360	MC761E	Stub Shaft, L/H	1
5	808352	MC76W1	Steel Roll Tube	1

Bottom Steel Roll Assembly MC760

Item No.	Stock No.	Drawing No.	Description	Qty.
1	808123	808123	10mm x 60mm Capscrew, Socket Head, Gr. 8	20
2	808128	808128	B-Lock Hub	2
3	808357	MC761B	Stub Shaft, R/H	1
4	808358	MC761C	Stub Shaft, L/H	1
5	808352	MC76W1	Steel Roll Tube	1

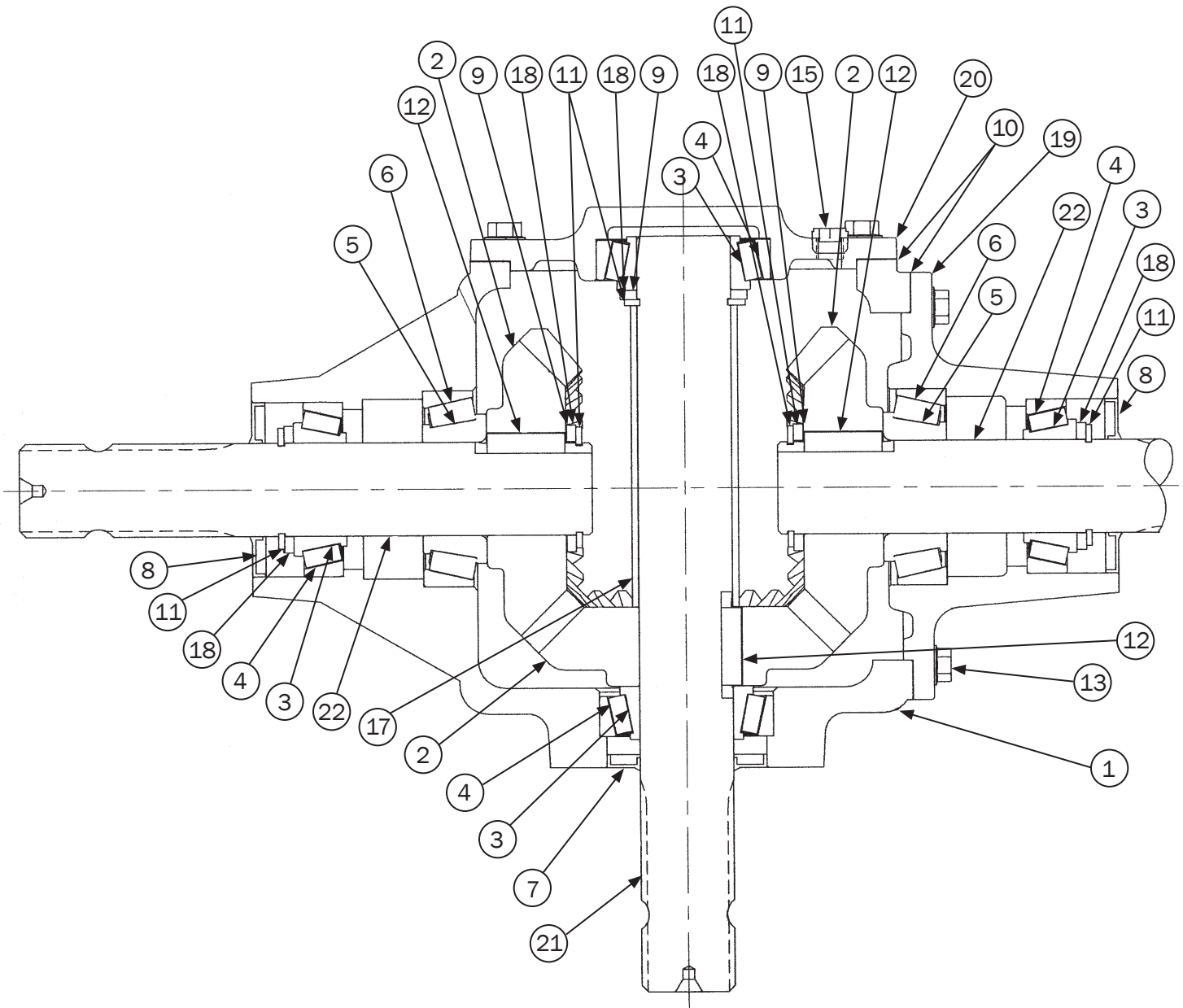
540 RPM Gearbox - MC611A



540 RPM Gearbox - MC611A

Item No.	Stock No.	Drawing No.	Description	Qty.
1	807746	807746	Case - 900	1
2	807824	807824	Brg. Cone LM104949	2
3	807825	807825	Brg. Cone 25581	2
4	807820	807820	Brg. Cup 25520	2
5	807819	807819	Brg. Cup 3730	2
6	807823	807823	Brg. Cone 3780	2
7	807818	807818	Brg. Cup LM104912	2
8	806268	806268	Oil Seal - Viton	1
9	806269	806269	Oil Seal - Viton Ø1.75 - 3.27	2
10	807847	807847	Shim - Ø1.75 - .007	3
11	807747	807747	Shim - Cover	2
12	807839	807839	Snap Ring (5160 - 175)	3
13	807838	807838	Snap Ring (5160 - 200)	2
14	803662	KE2408	Key: 3/8 Sq.	1
15	800195	BOS24045	Bolt: 3/8 - 16UNC - 1.00	16
16	807835	807835	Washer: Ø2.00 - .134	2
17	804142	804142	Plug: 1/2 NPT	1
18	800972	800972	Plug: 3/8 NPT	1
19	807866	807866	Vent: 1/2 NPT	1
20	807853	807853	Spacer Tube	1
21	807837	807837	Washer: Ø1.75 - .179	3
22	807749	807749	Quill Housing	1
23	807852	807852	Cover - Closed 3/8 NPT	1
24	807750	807750	Pinion - 16T	2
25	807841	807841	Gear - 29T	1
26	807851	807851	Shaft - Cross	1
27	807836	807836	Shaft - Quill	2

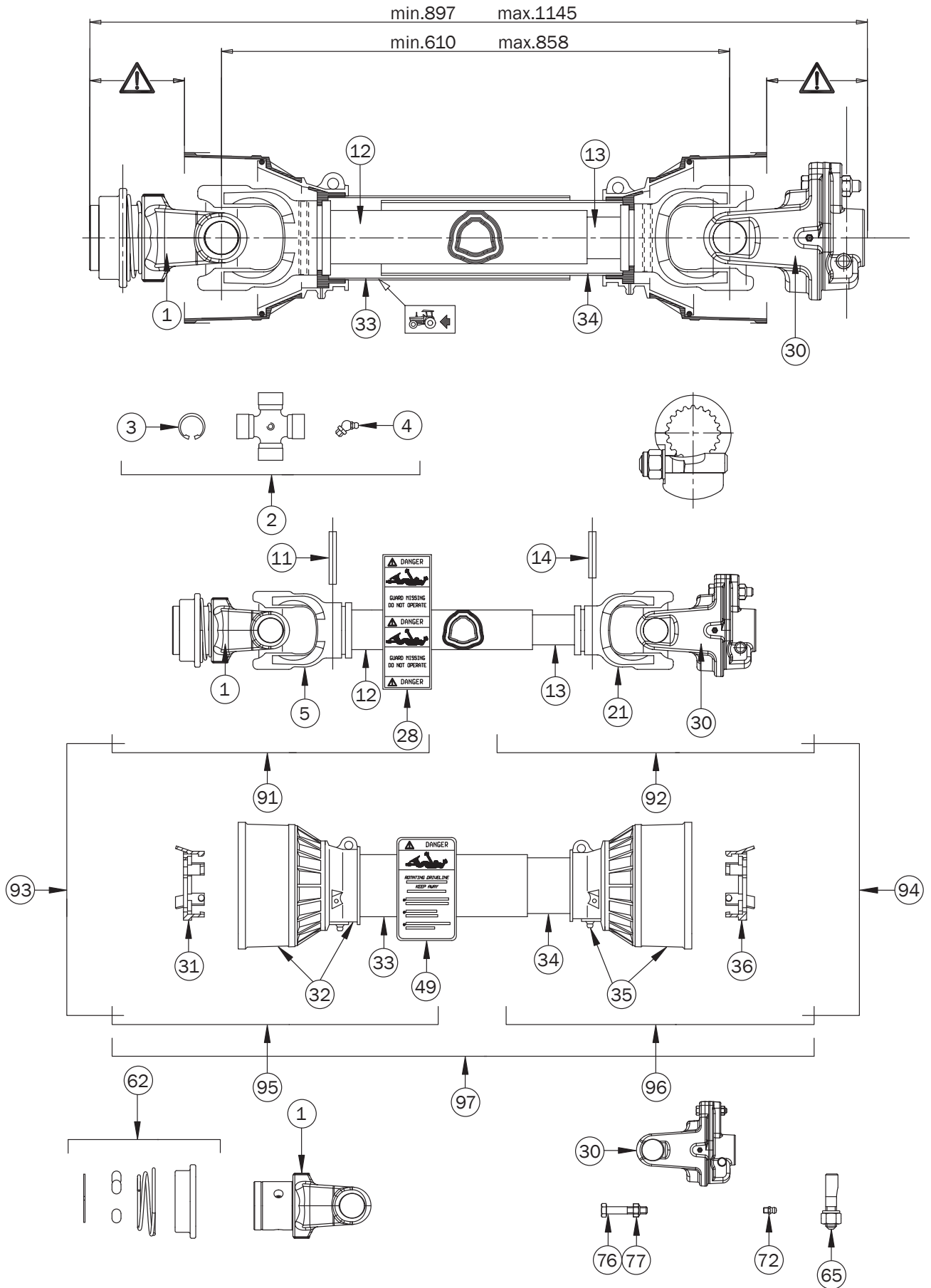
1000 RPM Gearbox - MC611



1000 RPM Gearbox - MC611

Item No.	Stock No.	Drawing No.	Description	Qty.
1	807746	807746	Case - 900	1
2	807843	807843	Gear - 22T	3
3	807825	807825	Brg. Cone 25581	4
4	807820	807820	Brg. Cup 25520	4
5	807826	807826	Brg. Cone 3782	2
6	807819	807819	Brg. Cup 3730	2
7	806268	806268	Oil Seal - Viton	1
8	806269	806269	Oil Seal - Viton Ø1.75 - 3.27	2
9	807847	807847	Shim - Ø1.75 - .007	3
10	807747	807747	Shim - Cover	2
11	807839	807839	Snap Ring (5160 - 175)	5
12	803662	KE2408	Key: 3/8 Sq.	3
13	800195	BOS24045	Bolt: 3/8 - 16UNC - 1.00	16
14	804142	804142	Plug: 1/2 NPT	1
15	800972	800972	Plug: 3/8 NPT	1
16	807866	807866	Vent: 1/2 NPT	1
17	807853	807853	Spacer Tube	1
18	807837	807837	Washer: Ø1.75 - .179	5
19	807749	807749	Quill Housing	1
20	807852	807852	Cover - Closed 3/8 NPT	1
21	807851	807851	Shaft - Cross	1
22	806138	806138	Shaft - Quill	2

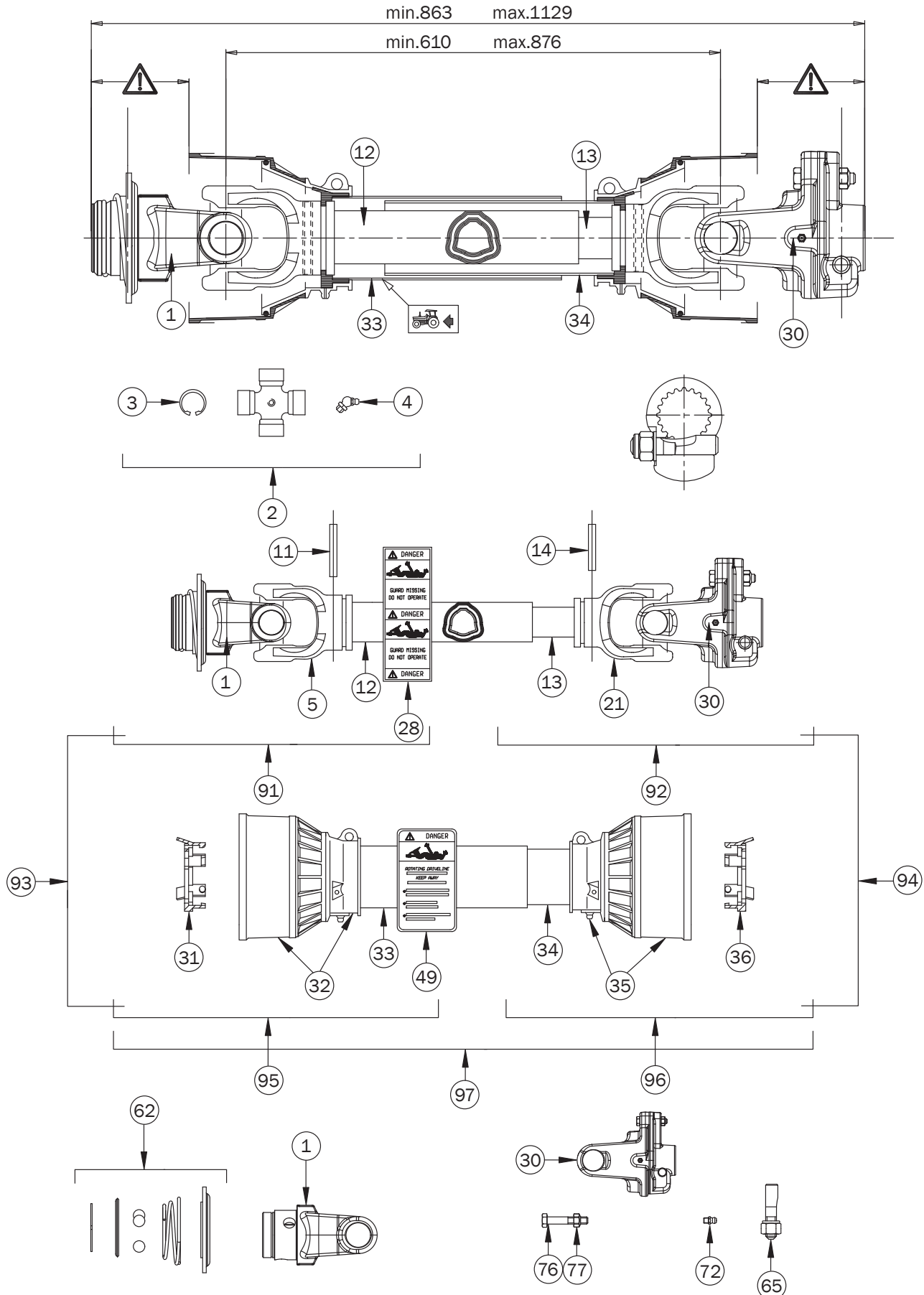
540 RPM Drive Shaft - MC612B



540 RPM Drive Shaft - MC612B

Item No.	Stock No.	Drawing No.	Description	Qty.
1	807964	807964	Yoke S9 1 3/8Z6 RT	1
2	807966	807966	Cross Journal Assembly	2
3	807969	807969	Circlip	8
4	807970	807970	Grease Zerk	2
5	807972	807972	Outer Tube Yoke	1
11	808016	808016	Flexible Pin	1
12	808018	808018	Cardan Tube, Outer	1
13	808019	808019	Cardan Tube, Inner	1
14	808022	808022	Flexible Pin	1
21	808024	808024	Inner Yoke Tube	1
28	808025	808025	Label	1
30	808028	808028	LB Torque Limiter Yoke Assembly	1
31	808030	808030	Shield Supporter 8-9-0	1
32	808033	808033	O. Cone Sets F8-9	1
33	808040	808040	Safety Tube	1
34	808039	808039	Safety Tube	1
35	808034	808034	I. Cone Sets F8-9	1
36	808032	808032	Shield Support 8-9-0	1
49	808026	808026	Label	1
62	808041	808041	Ball Collar Kit	1
65	808043	808043	Pin/Nut	1
72	808064	808064	Grease Nipple	1
76	807791	BOM12505	Bolt, 12 x 50mm (PTO Shear Bolt, 540 RPM)	1
77	807792	NUTL12	12mm Nylon Locknut (540 RPM)	1
91	808045	808045	Outer Half Shaft	1
92	808046	808046	Inner Half Shaft	1
93	808049	808049	Outer Half Shaft Assembly	1
94	808050	808050	Inner Half Shaft Assembly	1
95	808053	808053	Outer Half Shaft Shield	1
96	808054	808054	Inner Half Shaft Shield	1
97	808057	808057	Complete Shield	1

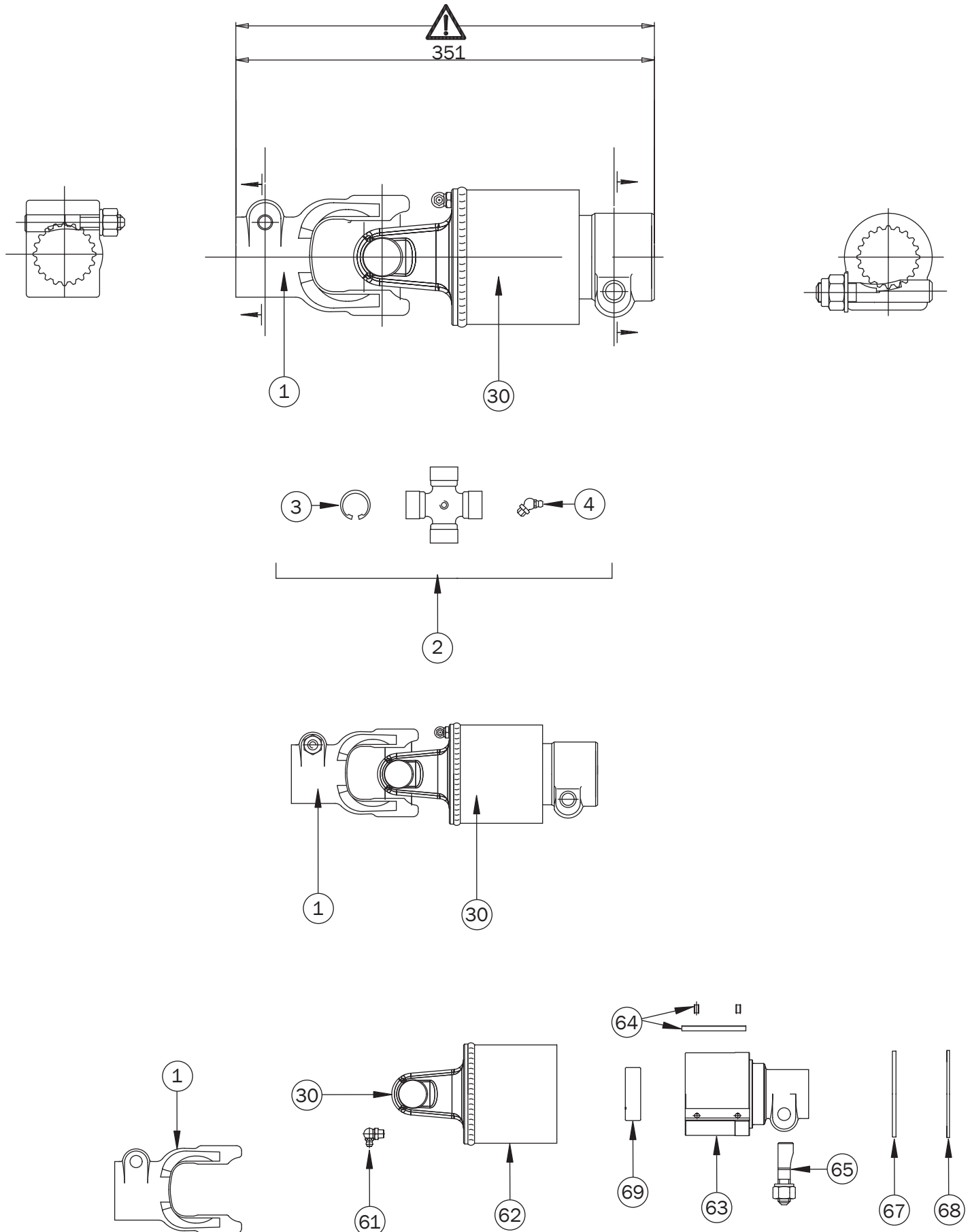
1000 RPM Drive Shaft - MC612C



1000 RPM Drive Shaft - MC612C

Item No.	Stock No.	Drawing No.	Description	Qty.
1	807965	807965	Yoke	1
2	807967	807967	Cross Journal Assembly	2
3	807968	807968	Circlip	8
4	807970	807970	Grease Zerk	2
5	807971	807971	Outer Tube Yoke	1
11	808015	808015	Flexible Pin	1
12	808017	808017	Cardan Tube, Outer	1
13	808020	808020	Cardan Tube, Inner	1
14	808021	808021	Flexible Pin	1
21	808023	808023	Inner Yoke Tube	1
28	808025	808025	Label	1
30	808027	808027	LB Torque Limiter Yoke Assembly	1
31	808029	808029	Shield Supporter 8-9-0	1
32	808036	808036	O. Cone Sets F5-6-7	1
33	808037	808037	Safety Tube	1
34	808038	808038	Safety Tube	1
35	808035	808035	I. Cone Sets F5-6-7	1
36	808031	808031	Shield Support 6-7	1
49	808026	808026	Label	1
62	808042	808042	Ball Collar Kit	1
65	808043	808043	Pin/Nut	1
72	808064	808064	Grease Nipple	1
76	807784	BOM10505	Bolt, 10 x 50mm (PTO Shear Bolt, 1000 RPM)	1
77	804189	NUTL10	10mm Nylon Locknut (1000 RPM)	1
91	808044	808044	Outer Half Shaft	1
92	808047	808047	Inner Half Shaft	1
93	808048	808048	Outer Half Shaft Assembly	1
94	808051	808051	Inner Half Shaft Assembly	1
95	808052	808052	Outer Half Shaft Shield	1
96	808055	808055	Inner Half Shaft Shield	1
97	808056	808056	Complete Shield	1

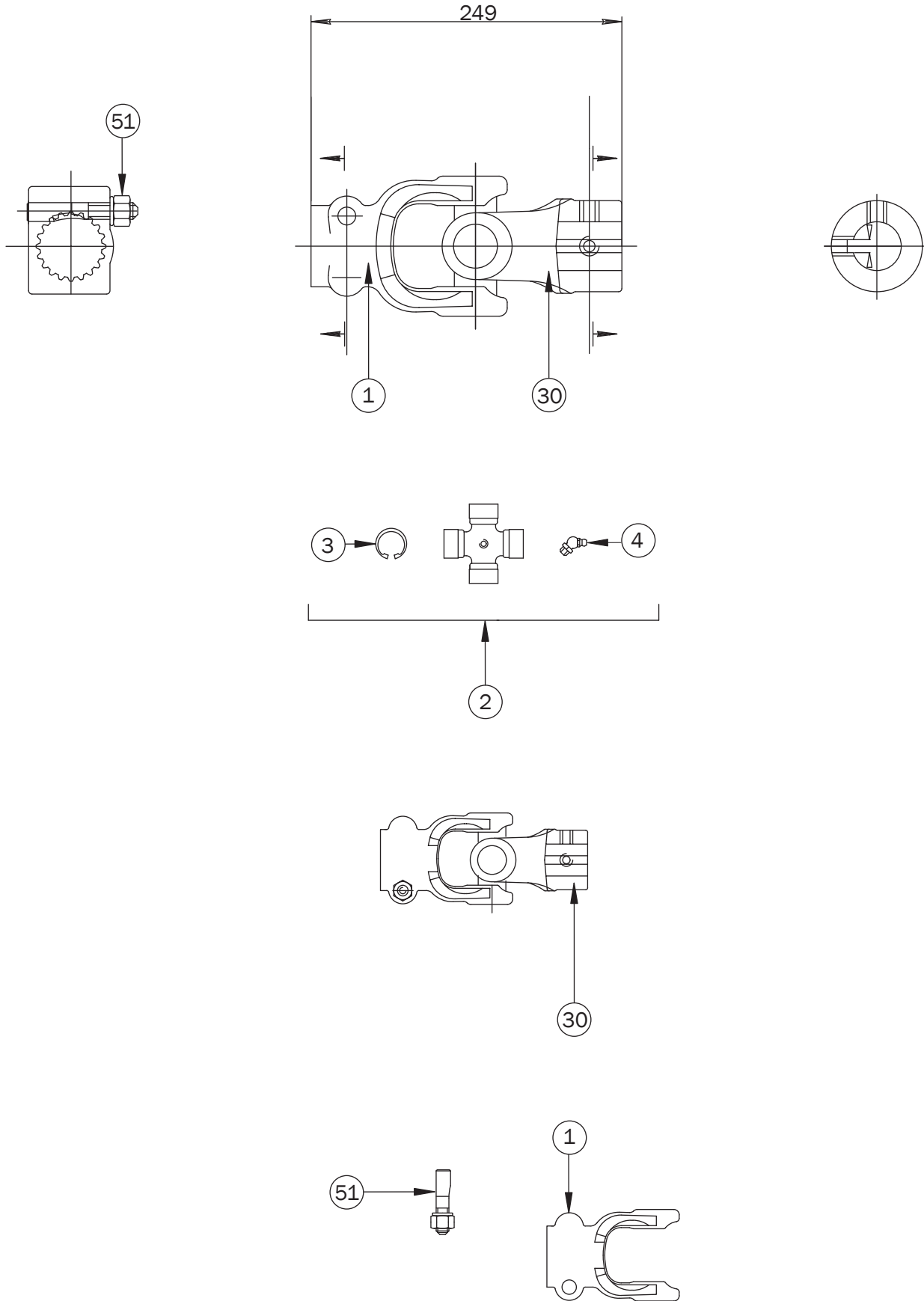
Over-Running Clutch - MC617A



Over-Running Clutch - MC617A

Item No.	Stock No.	Drawing No.	Description	Qty.
1	808068	808068	Yoke, Size 8 C, Bolt 1-3/4" 20SP (017)	1
2	807966	807966	Cross Journal Assembly	1
3	807969	807969	Circlip	4
4	807970	807970	Grease Zerk	2
30	808072	808072	RA3/8 1-3/4" Z20 Taper Pin	1
61	808073	808073	Grease Nipple	1
62	808070	808070	Yoke & Outer Body	1
63	808074	808074	Inner Part, Over-Run Clutch	1
64	808075	808075	Kit	3
65	808067	808067	Pin/Nut	2
67	808076	808076	Half Disc	2
68	808077	808077	Ring	1
69	808078	808078	Ball Bearing 25 x 52 x 15 2RS 6205	1

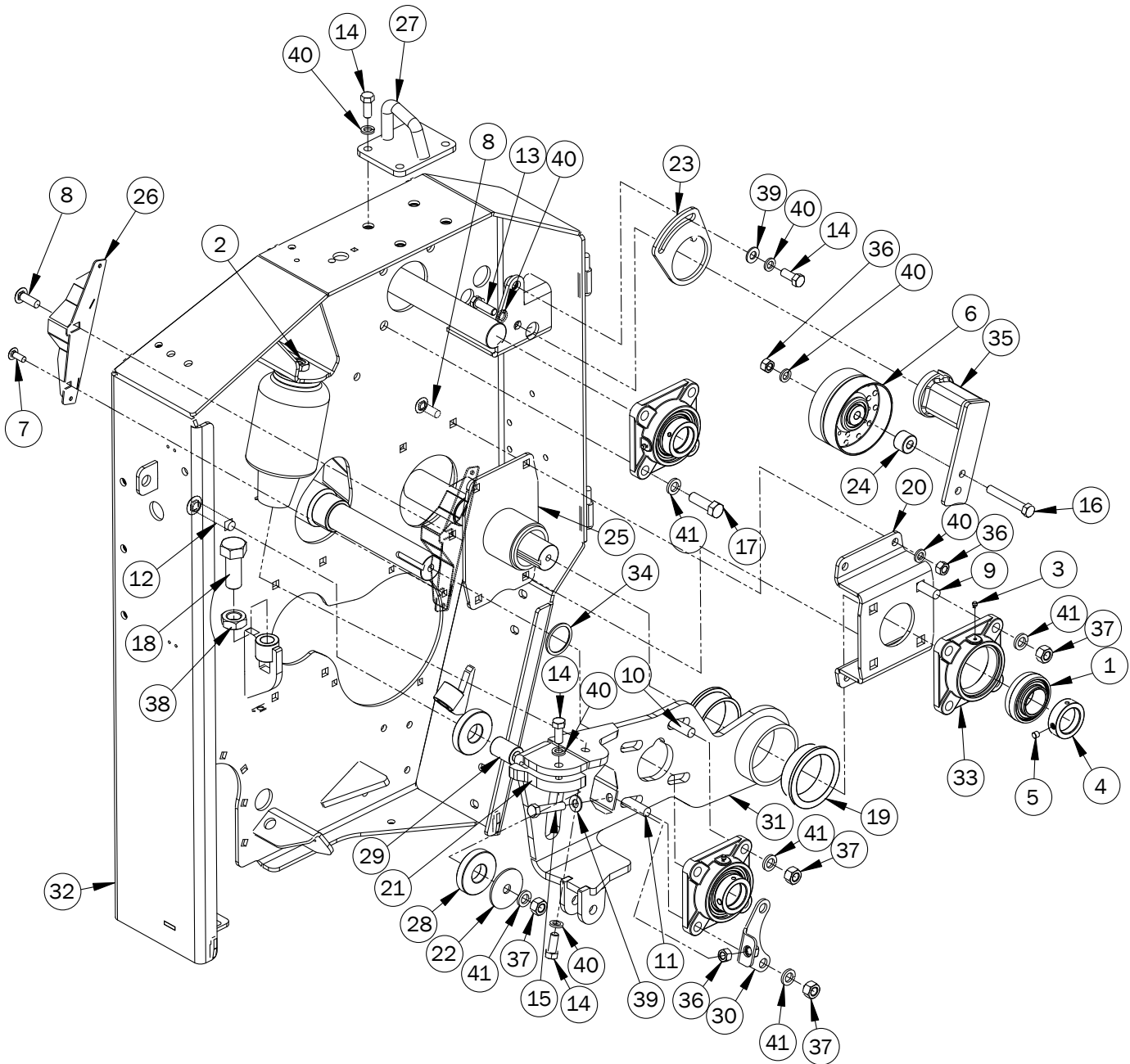
Gearbox U-Joints - MC616A



Gearbox U-Joints - MC616A

Item No.	Stock No.	Drawing No.	Description	Qty.
1	808065	808065	Yoke	1
2	807966	807966	Cross Journal Assembly	1
3	807969	807969	Circlip	4
4	807970	807970	Grease Zerk	1
30	808066	808066	Yoke	1
51	808067	808067	Pin/Nut	1

Right Side - View A

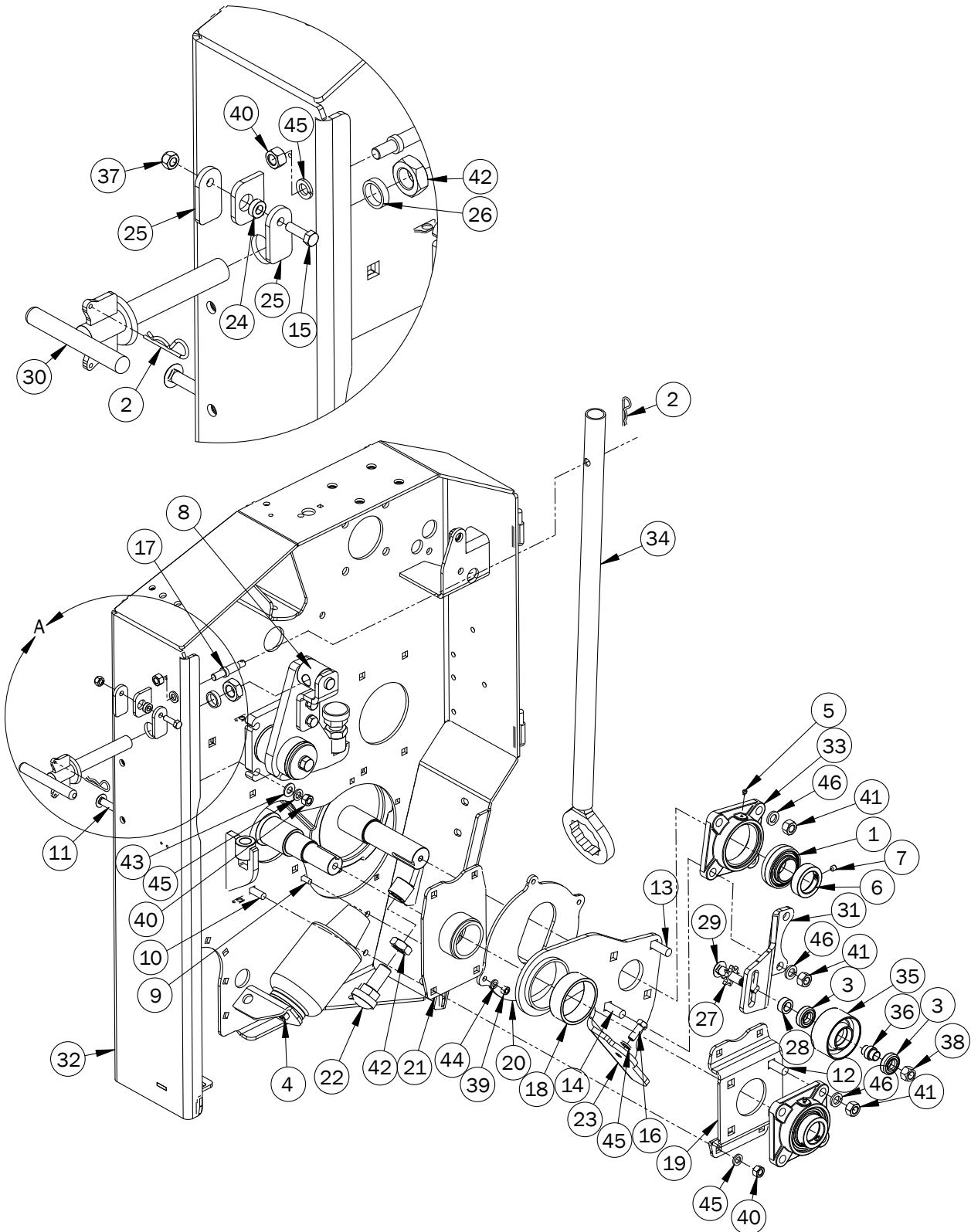


Right Side - View A

Item No.	Stock No.	Drawing No.	Description	Qty.
1	800048	800048	Bearing	3
2	804155	804155	3/4" Nut, Jam, NF	1
3	807558	807558	Nipple, Grease 1/4" NF	3
4	808109	808109	Collar, Locking	3
5	808200	808200	Screw, Set, 3/8" x 3/8"	3
6	808522	808522	5" Idler Pulley	1
7	800057	BOC24045	3/8" x 1" Bolt, Carr. (See pages 38-39, Item 9)	-
8	800054	BOC32065	1/2" x 1-1/2" Bolt, Carr.	4
9	807517	BOC40075	5/8" x 1-3/4" Bolt, Carr.	4
10	800065	BOC40085	5/8" x 2" Bolt, Carr.	2
11	810550	BOC40095	5/8" x 2-1/4" Bolt, Carr.	2
12	800068	BOC40145	5/8" x 3-1/2" Bolt, Carr.	1
13	808362	BOM12405	12mm x 40mm Bolt, Metric	1
14	800166	BOS32055	1/2" x 1-1/4" Bolt, Standard	7
15	800170	BOS32105T	1/2" x 2-1/2" Bolt, Standard, Full Thread	1
16	800174	BOS32145	1/2" x 3-1/2" Bolt, Standard	1
17	800212	BOS40085	5/8" x 2" Bolt, Standard	4
18	800187	BOS64105T	1" x 2-1/2" Bolt, Standard, Full Thread	1
19	801484	MC221A	Bushing, Steel Roll Pivot	2
20	803876	MC222	Bearing Bracket - Rubber Roll, R/H	1
21	807788	MC2256R	Spacer, Pivot Arm, Steel Roll, R/H	1
22	803884	MC225A	2-3/4" Washer	1
23	807052	MC225E	Bracket, Rubber Roll Belt Tightener	1
24	808530	MC225M	Spacer	1
25	803902	MC22W12	Pivot Arm Holder, R/H	1
26	807031	MC23W4R	Shield Anti-Wrapper, R/H	1
27	807591	MC25W2	Lifting Hook	1
28	810496	MC265A	Washer, Guide	2
29	810497	MC265B	Trunnion, Pivot Arm, Steel Roll	1
30	807738	MC26W1R	Bracket, Belt Tightening, R/H	1
31	810524	MC26W5R	Pivot Arm, Steel Roll, R/H	1
32	810388	MC27W2	Main Frame, R/H	1
33	807890	MC512A	Housing, 4 Bolt	3
34	807778	MC761A	Shim - Steel Roll (Optional)	-
35	808966	MCSE27	Tightener	1
36	804196	NUTS32	1/2" Nut, Standard	6
37	804198	NUTS40	5/8" Nut, Standard	9
38	800133	NUTSJ64	1" Nut, Jam	1
39	807524	WAF32M	1/2" SAE Washer, Flat	2
40	804367	WAL32	1/2" Washer, Lock	13
41	804368	WAL40	5/8" Washer, Lock	13

Right Side - View B

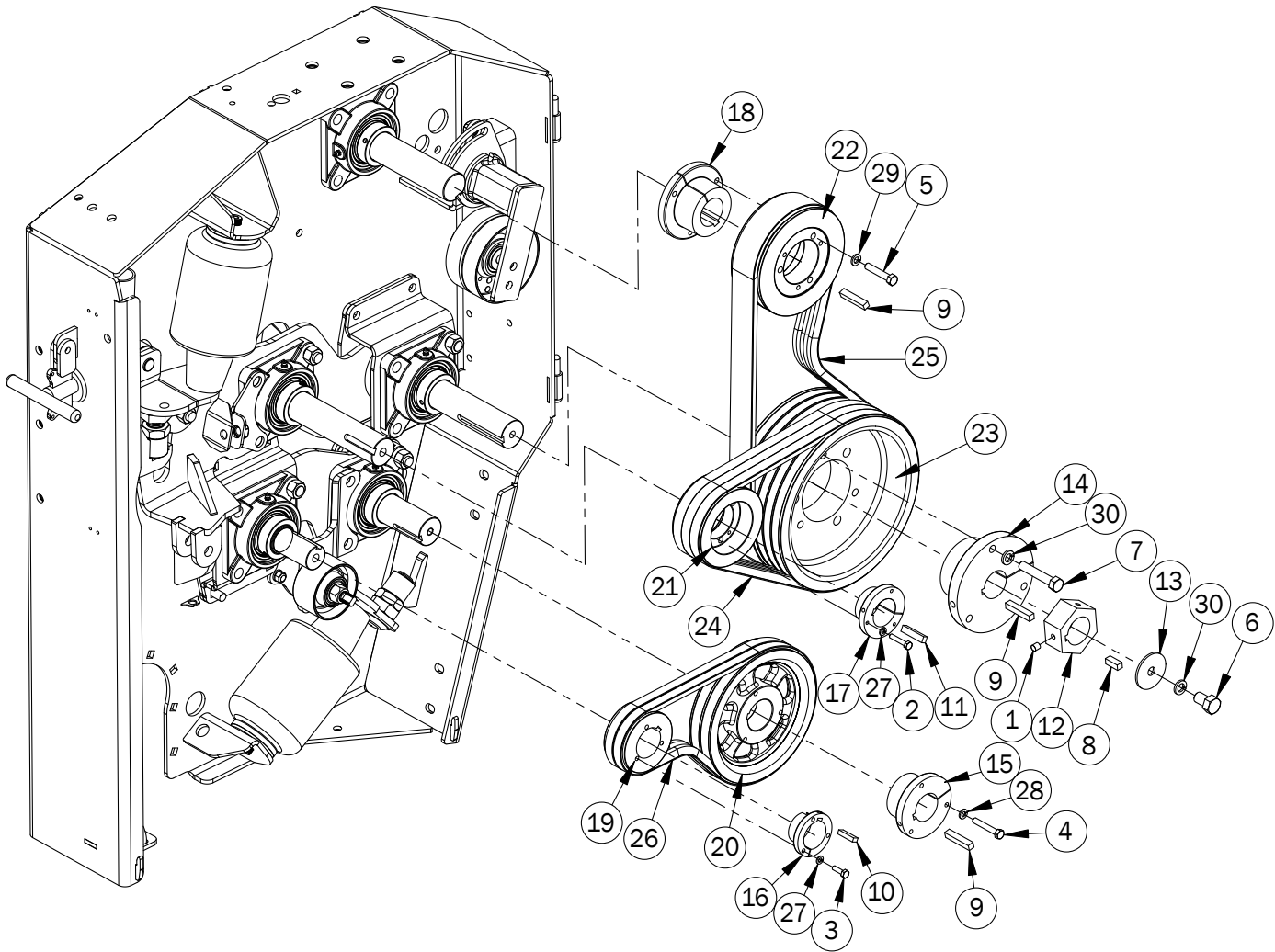
Item No.	Stock No.	Drawing No.	Description	Qty.
1	800048	800048	Bearing	2
2	801820	801820	Pin, R, 1/8"	2
3	803583	803583	Bearing	2



Right Side - View B

Item No.	Stock No.	Drawing No.	Description	Qty.
4	804155	804155	3/4" Nut, Jam, NF	1
5	807558	807558	Nipple, Grease 1/4" NF	2
6	808109	808109	Collar, Locking	2
7	808200	808200	Screw, Set, 3/8" x 3/8"	2
8	803929r01	A66007	Gap Adjuster, R/H (See pages 52-53)	1
9	800057	BOC24045	3/8" x 1" Bolt, Carr.	4
10	800054	BOC32065	1/2" x 1-1/2" Bolt, Carr.	4
11	807706	BOC32075	1/2" x 1-3/4" Bolt, Carr.	4
12	807517	BOC40075	5/8" x 1-3/4" Bolt, Carr.	4
13	800065	BOC40085	5/8" x 2" Bolt, Carr.	2
14	810550	BOC40095	5/8" x 2-1/4" Bolt, Carr.	2
15	800197	BOS24055	3/8" x 1-1/4" Bolt, Standard	1
16	800166	BOS32055	1/2" x 1-1/4" Bolt, Standard	1
17	807884	MC2120A	Stud - Reversing Wrench Holder	1
18	801481	MC221	Pivot Bushing	1
19	803878	MC223	Roll Bearing Bracket	1
20	803895	MC226	Rubber Roll Cover	1
21	803904	MC22W1	Pivot Arm Holder	1
22	803908	MC22W3	Rubber Bumper	1
23	803915	MC22W4R	Pivot Arm, Rubber Roll, R/H	1
24	803994	MC248C	7mm Bushing 3/8" ID	1
25	804035r01	MC254A	Crank Lock	2
26	804037	MC254B	Crank Arm Spacing Bushing	1
27	804039r01	MC255A	Belt Tightener Sprocket	1
28	804042r02	MC255C	Spacer - Belt Tightener	1
29	807487	MC255D	Bolt, Belt Tightener	1
30	804049r01	MC25W4	Rubber Bumper Crank	1
31	804050r02	MC25W5	Bracket, Belt Tightening	1
32	810388	MC27W2	Main Frame, R/H	1
33	807890	MC512A	Housing, 4 Bolt	2
34	807028r01	MC77W2	Reversing Wrench	1
35	807456	MC829B	Pulley - Idler - 3.5"	1
36	807457	MC829D	Spindle - Idler	1
37	806636	NUTLP24	3/8" Nut, Pinch Lock	1
38	807521	NUTLP40	5/8" Nut, Pinch Lock	1
39	800236	NUTS24	3/8" Nut, Standard	4
40	804196	NUTS32	1/2" Nut, Standard	10
41	804198	NUTS40	5/8" Nut, Standard	8
42	800133	NUTSJ64	1" Nut, Jam	2
43	807524	WAF32M	1/2" SAE Washer, Flat	4
44	804366	WAL24	3/8" Washer, Lock	4
45	804367	WAL32	1/2" Washer, Lock	10
46	804368	WAL40	5/8" Washer, Lock	8

Right Side - Drives

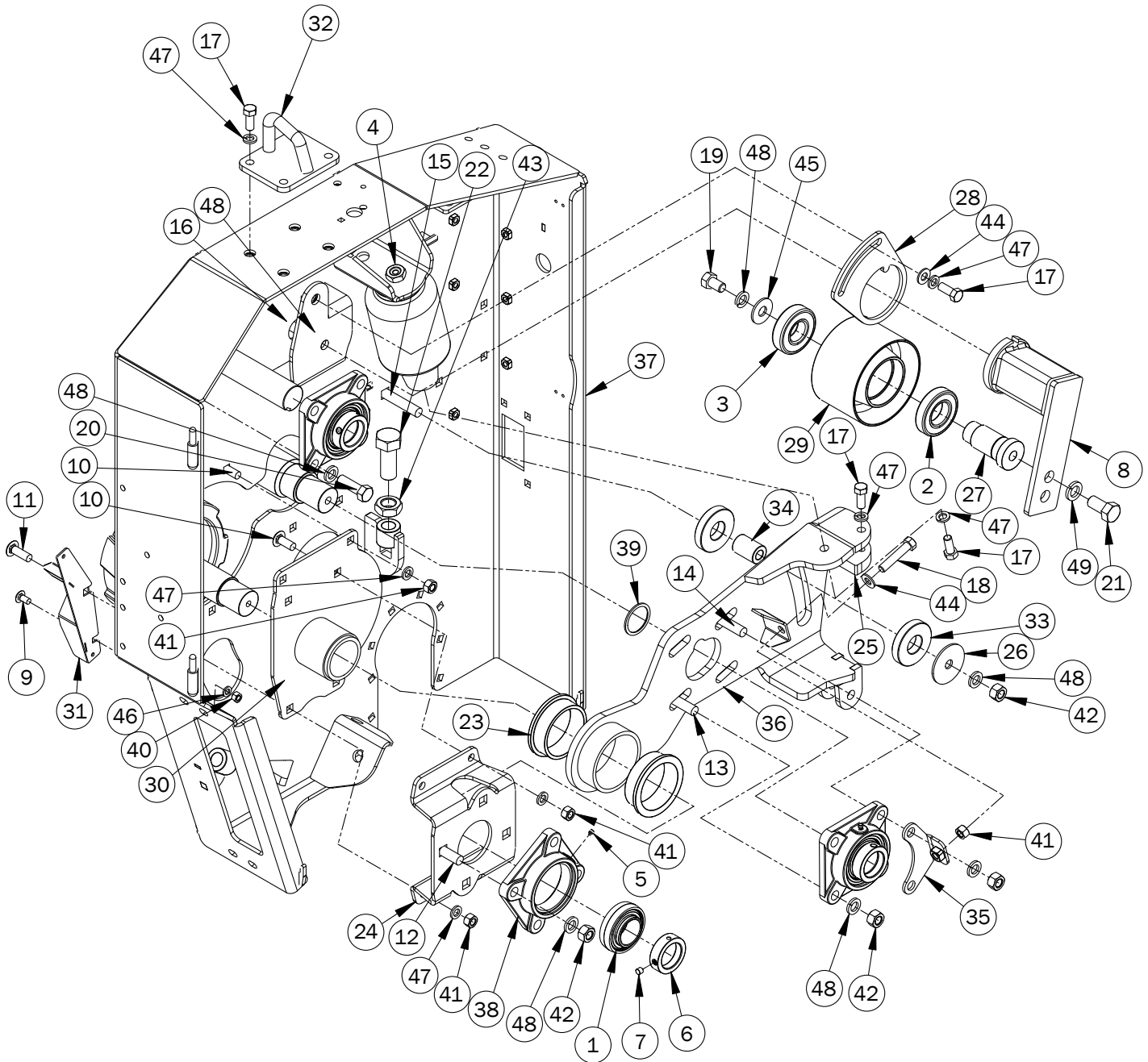


Right Side - Drives

Item No.	Stock No.	Drawing No.	Description	Qty.
1	808200	808200	Screw, Set, 3/8" x 3/8"	2
2	808341	808341	1/4" x 1-3/8" Bolt, Standard, Full Thread	3
3	808342	808342	1/4" x 7/8" Bolt, Standard, Full Thread	3
4	808343	BOS20085T	5/16" x 2" Bolt, Standard, Full Thread	3
5	808340	BOS24085T	3/8" x 2" Bolt, Standard, Full Thread	3
6	800164	BOS32045	1/2" x 1" Bolt, Standard	1
7	808339	BOS32115T	1/2" x 2-3/4" Bolt, Standard, Full Thread	3
8	803661	KE2404	3/8" x 1" Key	1
9	803662	KE2408	3/8" x 2" Key	3
10	808344	KE241605	3/8" x 1/4" x 1-1/4" Key	1
11	808345	KE242007	3/8" x 5/16" x 1-3/4" Key	1
12	804116	MC770A	Reversing Hex Block	1
13	807794	MC770D	Washer - Hex Block	1
14	801169	MC811S	Hub, E 1-3/4"	1
15	806941	MC813C	Hub, SK 1-3/4"	1
16	806940	MC814C	Hub, SH 1-1/2"	1
17	801176	MC815S	Hub, SDS 1-3/4"	1
18	801177	MC816S	Hub, SF 1-3/4"	1
19	806938	MC820C	2B34 Pulley	1
20	806939	MC821C	2B80 Pulley	1
21	804232	MC822S	3-5V5.2 Pulley	1
22	804233	MC823S	3-5V7.1 Pulley	1
23	804236	MC826S	6-5V10.9 Pulley	1
24	802911	MC835A	V-Belt, 5VX450	3
25	806942	MC836C	V-Belt, 3-5VX630 Banded	1
26	802917	MC838	V-Belt, BX36	2
27	808353	WAL16	1/4" Washer, Lock	6
28	807528	WAL20	5/16" Washer, Lock	3
29	804366	WAL24	3/8" Washer, Lock	3
30	804367	WAL32	1/2" Washer, Lock	4

Left Side - View A

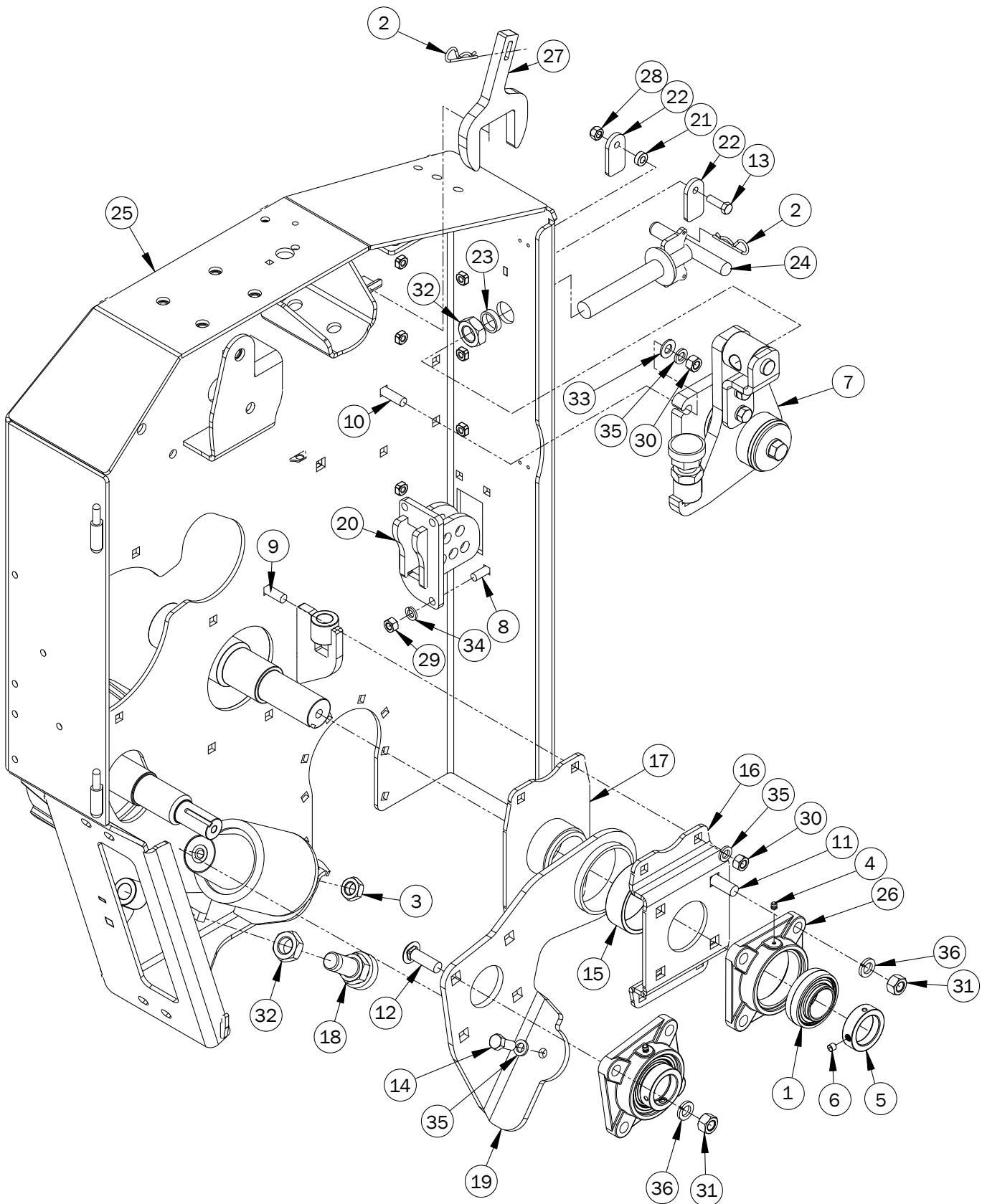
Item No.	Stock No.	Drawing No.	Description	Qty.
1	800048	800048	Bearing	3
2	803585	803585	Bearing	1
3	803587	803587	Bearing	1
4	804155	804155	3/4" Nut, Jam, NF	1
5	807558	807558	Nipple, Grease 1/4" NF	3



Left Side - View A

Item No.	Stock No.	Drawing No.	Description	Qty.
6	808109	808109	Collar, Locking	3
7	808200	808200	Screw, Set, 3/8" x 3/8"	3
8	808965	808965	Tightener	1
9	800061	BOC24035	3/8" x 3/4" Bolt, Carr.	1
10	800055	BOC32055	1/2" x 1-1/4" Bolt, Carr.	4
11	800054	BOC32065	1/2" x 1-1/2" Bolt, Carr.	2
12	807517	BOC40075	5/8" x 1-3/4" Bolt, Carr.	4
13	800065	BOC40085	5/8" x 2" Bolt, Carr.	2
14	810550	BOC40095	5/8" x 2-1/4" Bolt, Carr.	2
15	800068	BOC40145	5/8" x 3-1/2" Bolt, Carr.	1
16	808363	BOM16405	16mm x 40mm Bolt, Metric	1
17	800166	BOS32055	1/2" x 1-1/4" Bolt, Standard	7
18	800170	BOS32105T	1/2" x 2-1/2" Bolt, Standard, Full Thread	1
19	800210	BOS40045	5/8" x 1" Bolt, Standard	1
20	808212	BOS40085	5/8" x 2" Bolt, Standard	4
21	800189	BOS48065	3/4" x 1-1/2" Bolt, Standard	1
22	800187	BOS64105T	1" x 2-1/2" Bolt, Standard, Full Thread	1
23	801484	MC221A	Bushing, Steel Roll Pivot	2
24	803874	MC222A	Bearing Bracket, L/H, Rubber Roll	1
25	807786	MC2256L	Spacer, Pivot Arm, Steel Roll, L/H	1
26	803884	MC225A	2-3/4" Washer	1
27	803892	MC226E	Shaft - Steel Roll Drive Spindle	1
28	803894	MC226G	Belt Tightener Holder	1
29	807461	MC226H	Pulley - Idler - 6"	1
30	803906	MC22W2	Pivot Arm Holder, L/H	1
31	807032	MC23W4L	Shield, Anti-Wrapper, L/H	1
32	807591	MC25W2	Lifting Hook	1
33	810496	MC265A	Washer, Guide	2
34	810497	MC265B	Trunnion, Pivot Arm, Steel Roll	1
35	807734	MC26W1L	Bracket, Belt Tightening, L/H	1
36	810523	MC26W5L	Pivot Arm, Steel Roll, L/H	1
37	810392	MC27W1	Main Frame, L/H	1
38	807890	MC512A	Housing, 4 Bolt	3
39	807778	MC761A	Shim - Steel Roll (Optional)	-
40	800236	NUTS24	3/8" Nut Standard	1
41	804196	NUTS32	1/2" Nut, Standard	7
42	804198	NUTS40	5/8" Nut, Standard	9
43	800133	NUTSJ64	1" Nut, Jam	1
44	807524	WAF32M	1/2" SAE Washer, Flat	2
45	804365	WAF40	5/8" Washer, Flat	1
46	804366	WAL24	3/8" Washer, Lock	1
47	804367	WAL32	1/2" Washer, Lock	13
48	804368	WAL40	5/8" Washer, Lock	15
49	804369	WAL48	3/4" Washer, Lock	1

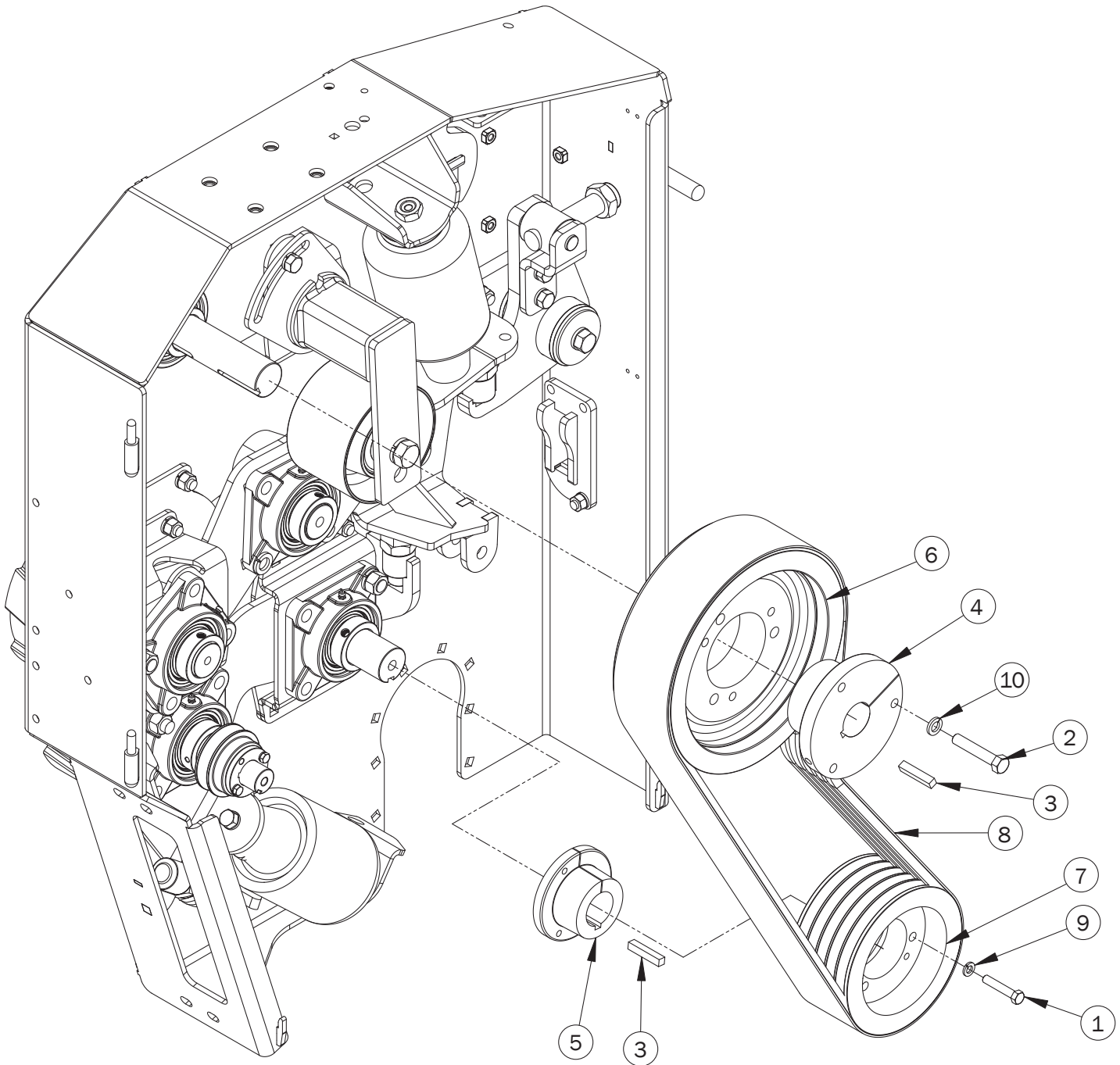
Left Side - View B



Left Side - View B

Item No.	Stock No.	Drawing No.	Description	Qty.
1	800048	800048	Bearing	2
2	801820	801820	Pin, R, 1/8"	2
3	804155	804155	3/4" Nut, Jam, NF	1
4	807558	807558	Nipple, Grease 1/4" NF	2
5	808109	808109	Collar, Locking	2
6	808200	808200	Screw, Set, 3/8" x 3/8"	2
7	803927r01	A66006	Gap Adjuster, L/H (See pages 52-53)	1
8	800073	BOC28055	7/16" x 1-1/4" Bolt, Carr.	3
9	800054	BOC32065	1/2" x 1-1/2" Bolt, Carr.	4
10	807706	BOC32075	1/2" x 1-3/4" Bolt, Carr.	4
11	807517	BOC40075	5/8" x 1-3/4" Bolt, Carr.	4
12	800065	BOC40085	5/8" x 2" Bolt, Carr.	4
13	800197	BOS24055	3/8" x 1-1/4" Bolt, Standard	1
14	800166	BOS32055	1/2" x 1-1/4" Bolt, Standard	1
15	801481	MC221	Pivot Bushing	1
16	803878	MC223	Roll Bearing Bracket	1
17	803904	MC22W1	Pivot Arm Holder	1
18	803908	MC22W3	Rubber Bumper	1
19	803912	MC22W4L	Rubber Roll Pivot Arm, L/H	1
20	803963r01	MC23W8	Height Adjuster Bracket	1
21	803994	MC248C	7mm Bushing 3/8" ID	1
22	804035r01	MC254A	Crank Lock	2
23	804037	MC254B	Crank Arm Spacing Bushing	1
24	804049r01	MC25W4	Rubber Bumper Crank	1
25	810392	MC27W1	Main Frame, L/H	1
26	807890	MC512A	Housing, 4 Bolt	2
27	804160	MCSE38TR	Torque Wrench	1
28	806636	NUTLP24	3/8" Nut, Pinch Lock	1
29	800240	NUTS28	7/16" Nut, Standard	3
30	804196	NUTS32	1/2" Nut, Standard	8
31	804198	NUTS40	5/8" Nut, Standard	8
32	800133	NUTSJ64	1" Nut, Jam	2
33	807524	WAF32M	1/2" SAE Washer, Flat	4
34	806556	WAL28	7/16" Washer, Lock	3
35	804367	WAL32	1/2" Washer, Lock	9
36	804368	WAL40	5/8" Washer, Lock	8

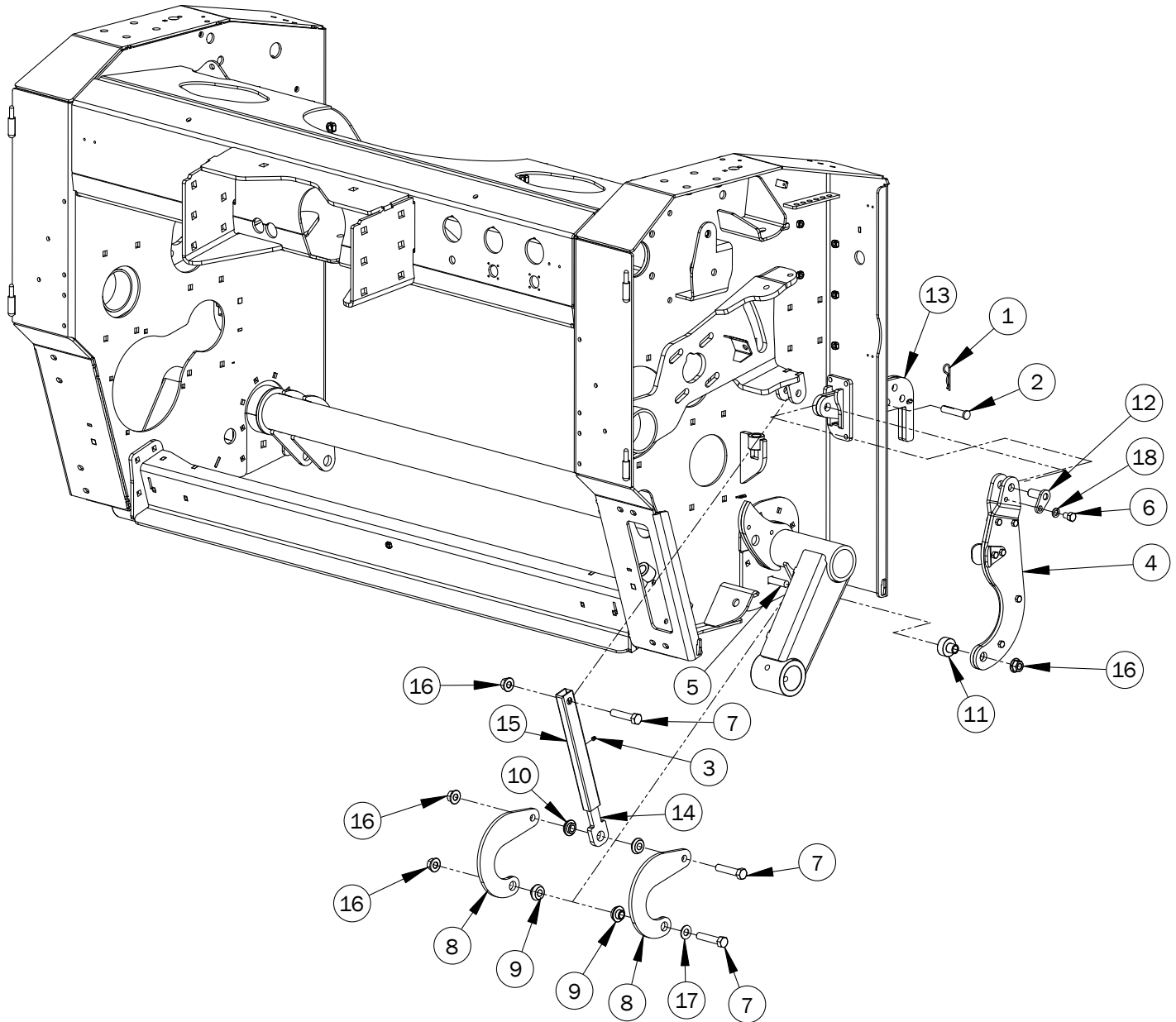
Left Side - Drives



Left Side - Drives

Item No.	Stock No.	Drawing No.	Description	Qty.
1	808340	BOS24085T	3/8" x 2" Bolt, Standard, Full Thread	3
2	808339	BOS32115T	1/2" x 2-3/4" Bolt, Standard, Full Thread	3
3	803662	KE2408	3/8" x 2" Key	2
4	801169	MC811S	Hub, E 1-3/4"	1
5	801177	MC816S	Hub, SF 1-3/4"	1
6	804234	MC824S	5-5V11.3 Pulley	1
7	804235	MC825S	5-5V7.5 Pulley	1
8	806943	MC837C	V-Belt, 5-5VX800 Banded	1
9	804366	WAL24	3/8" Washer, Lock	3
10	804367	WAL32	1/2" Washer, Lock	3

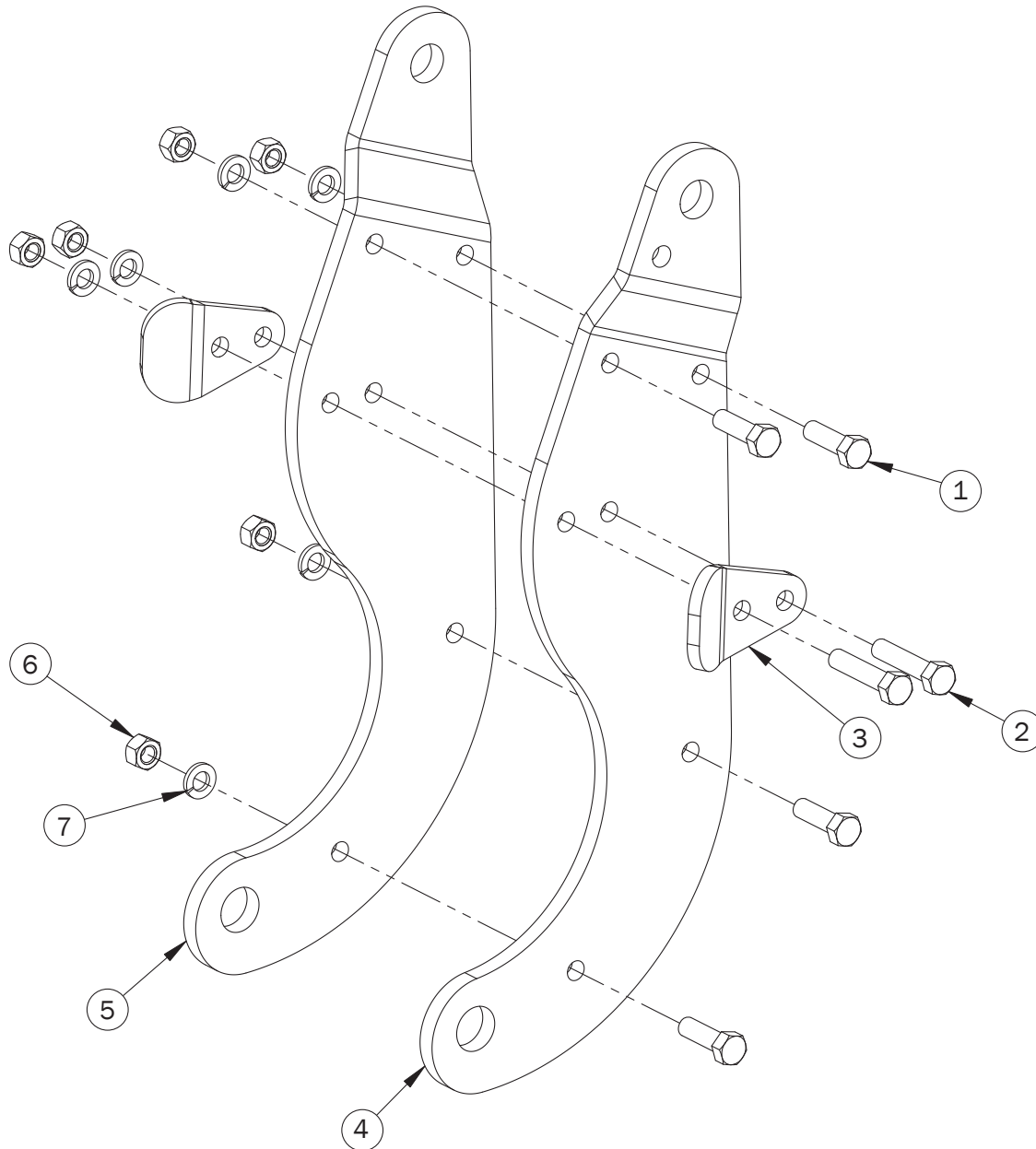
Lift Bracket Assembly - Right & Left Sides



Lift Bracket Assembly - Right & Left Sides

Item No.	Stock No.	Drawing No.	Description	Qty.
1	801820	801820	Pin, R, 1/8"	1
2	807055	807055	Pin, Clevis	1
3	807558	807558	Nipple, Grease 1/4" NF	2
4	803947	A66005	Arm, Height Adjuster (See pages 50-51)	1
5	800066	BOC40105	5/8" x 2-1/2" Bolt, Carr.	1
6	800173	BOS32035	1/2" x 3/4" Bolt, Standard	1
7	800214	BOS40125	5/8" x 3" Bolt, Standard	6
8	803939	MC232	Bracket, Lift, Roll	4
9	803938r01	MC232M	Lift Bracket Bushing	4
10	803941r01	MC233M	Lift Arm Bushing	4
11	803951	MC238C	Bushing, Spacer, Height Adjuster	1
12	803962	MC23W8A	Height Adjuster Arm Pin	1
13	803966r02	MC23W9	Height Adjuster Bar	1
14	810536	MC2681	Insert, Roll Lift Arm	2
15	810531	MC2694	Tube, Roll Lift Arm	2
16	804187	NUTFLP40	5/8" Nut, Flange Pinch Lock	7
17	807525	WAF40M	5/8" SAE Washer, Flat	2
18	804367	WAL32	1/2" Washer, Lock	1

Height Adjuster

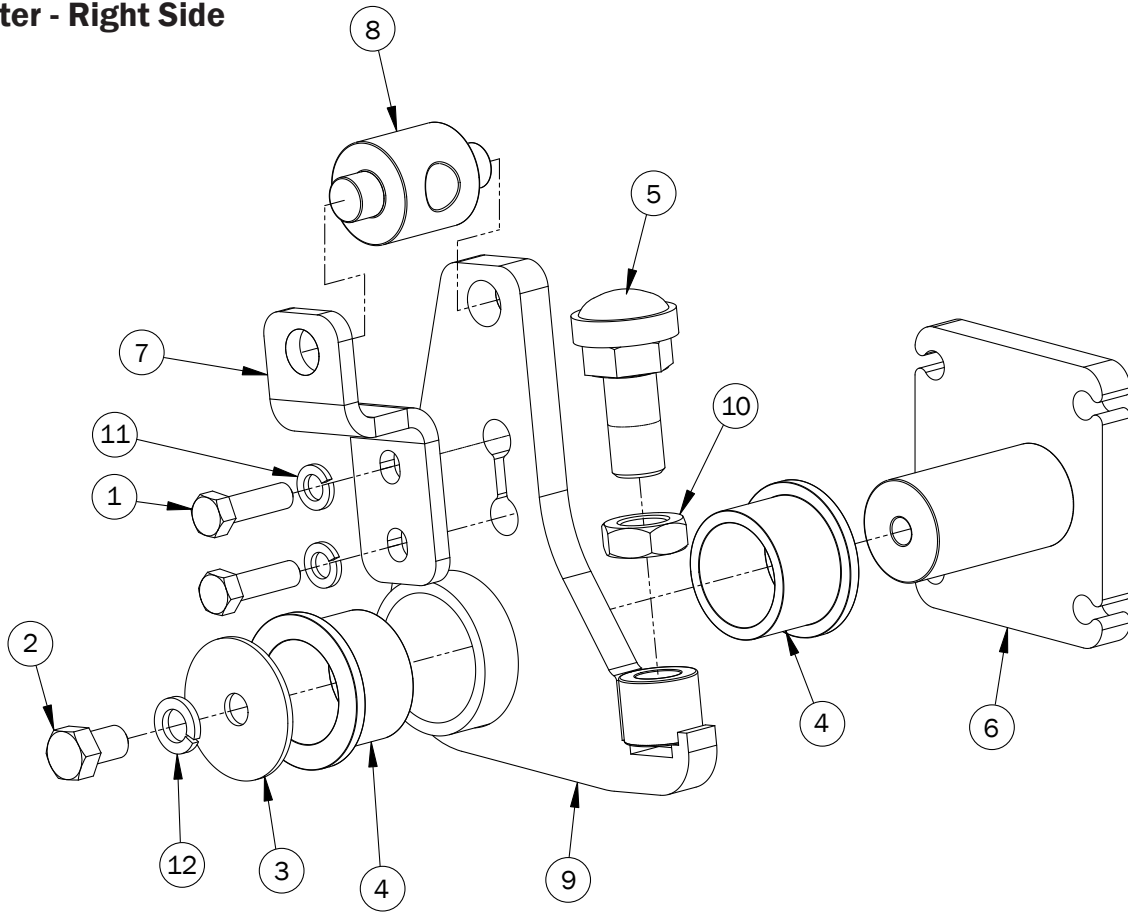


Height Adjuster

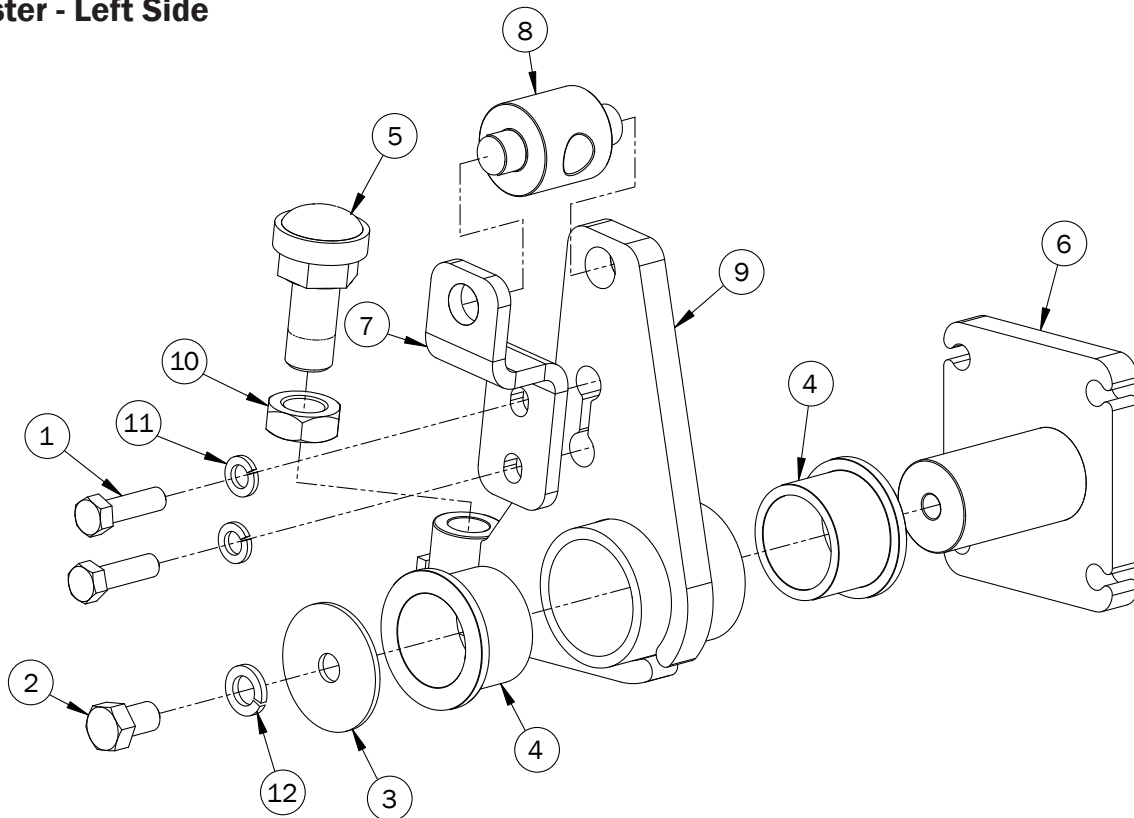
Item No.	Stock No.	Drawing No.	Description	Qty.
1	800197	BOS24055	3/8" x 1-1/4" Bolt, Standard	4
2	800198	BOS24075	3/8" x 1-3/4" Bolt, Standard	2
3	803950	MC238A	Guide	2
4	803953	MC238L	Height Adjuster Arm, L/H	1
5	803955	MC238R	Height Adjuster Arm, R/H	1
6	800236	NUTS24	3/8" Nut, Standard	6
7	804366	WAL24	3/8" Washer, Lock	6

Gap Adjusters

Gap Adjuster - Right Side



Gap Adjuster - Left Side



Gap Adjusters

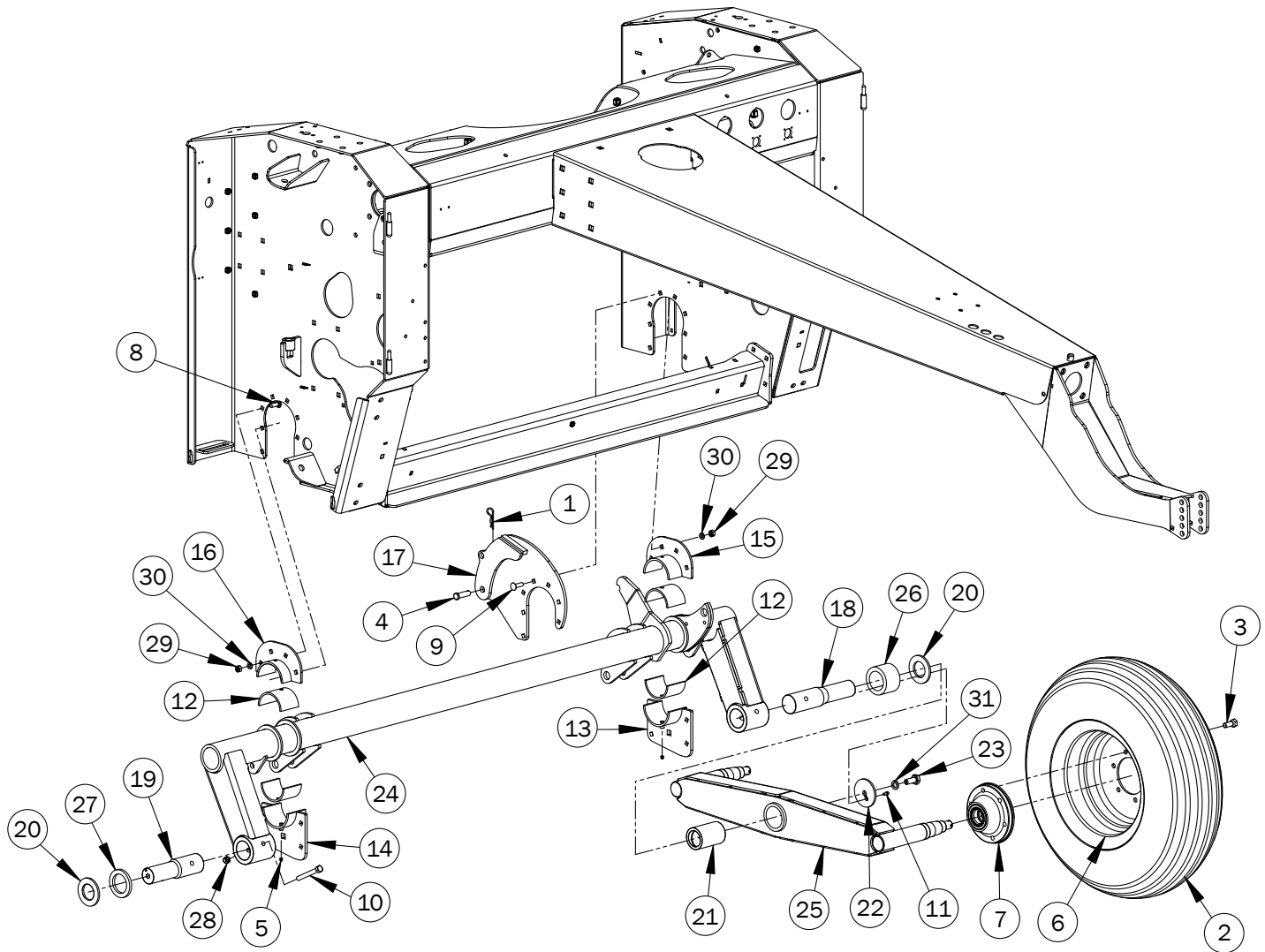
Gap Adjuster - Right Side

Item No.	Stock No.	Drawing No.	Description	Qty.
1	800167	BOS32075	1/2" x 1-3/4" Bolt, Standard	2
2	800210	BOS40045	5/8" x 1" Bolt, Standard	1
3	803884	MC225A	2-3/4" Washer	1
4	801518	MC228A	Rubber Bumper Pivot, Bushing	2
5	803908	MC22W3	Rubber Bumper	1
6	803928	MC22W9	Pivot, Rubber Bumper	1
7	810416	MC237C	Holder, Swivel Nut	1
8	810418	MC237D	Swivel Nut, Rubber Bumper Adjuster	1
9	810412	MC23W7R	Pivot, Rubber Bumper, R/H	1
10	800133	NUTSJ64	1" Nut, Jam	1
11	804367	WAL32	1/2" Washer, Lock	2
12	804368	WAL40	5/8" Washer, Lock	1

Gap Adjuster - Left Side

Item No.	Stock No.	Drawing No.	Description	Qty.
1	800167	BOS32075	1/2" x 1-3/4" Bolt, Standard	2
2	800210	BOS40045	5/8" x 1" Bolt, Standard	1
3	803884	MC225A	2-3/4" Washer	1
4	801518	MC228A	Rubber Bumper Pivot, Bushing	2
5	803908	MC22W3	Rubber Bumper	1
6	803928	MC22W9	Pivot, Rubber Bumper	1
7	810416	MC237C	Holder, Swivel Nut	1
8	810418	MC237D	Swivel Nut, Rubber Bumper Adjuster	1
9	810410	MC23W7L	Pivot, Rubber Bumper, L/H	1
10	800133	NUTSJ64	1" Nut, Jam	1
11	804367	WAL32	1/2" Washer, Lock	2
12	804368	WAL40	5/8" Washer, Lock	1

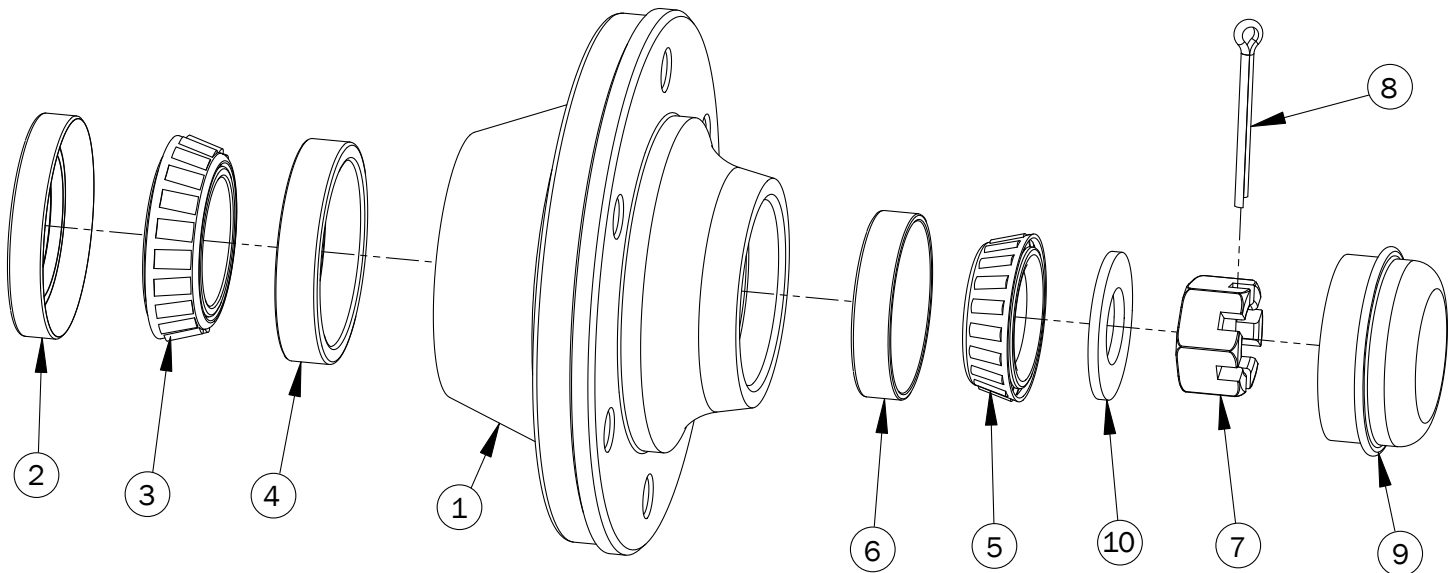
Axle Assembly



Axle Assembly

Item No.	Stock No.	Drawing No.	Description	Qty.
1	801820	801820	Pin, R, 1/8"	1
2	804067	804067	Wheel (Tire, Rim, and Valve)	4
3	804078	804078	Wheel Bolt	24
4	804111	804111	Pin, Travel Safety	1
5	807558	807558	Nipple, Grease 1/4" NF	2
6	808115	808115	Rim	4
7	808587	808587	Wheel Hub Assembly (See pages 56-57)	4
8	800073	BOC28055	7/16" x 1-1/4" Bolt, Carr.	9
9	800072	BOC28065	7/16" x 1-1/2" Bolt, Carr.	7
10	800176	BOS32165	1/2" x 4" Bolt, Standard	2
11	807757	BOSH16025	1/4" x 1/2" Cap Screw, Socket Head	2
12	801471r01	MC217	Axle Bushing	4
13	803851r01	MC21W4L	Axle Support, L/H, Bottom	1
14	803853r01	MC21W4R	Axle Support, R/H, Bottom	1
15	803865r01	MC21W7L	Axle Seat, L/H, Top	1
16	803867r01	MC21W7R	Axle Seat, R/H, Top	1
17	803871	MC21W9	Travel Safety Bracket	1
18	810407	MC230L	Pivot Shaft, Walking Beam, Axle, L/H	1
19	810408	MC230R	Pivot Shaft, Walking Beam, Axle, R/H	1
20	810406	MC234	Washer, Pivot Shaft, Walking Beam, Axle	2
21	801538r02	MC235	Bushing, Walking Beam	2
22	803946r01	MC237	Washer, Walking Beam	2
23	807000	MC237A	Axle Grease Bolt	2
24	810398	MC23W2	Axle	1
25	803959	MC23W5	Walking Beam	2
26	810420	MC240L	Spacer, Walking Beam, Axle, L/H	1
27	810422	MC240R	Spacer, Walking Beam, Axle, R/H	1
28	810649	NUTLP32	1/2" Nut, Pinch Lock	2
29	800240	NUTS28	7/16" Nut, Standard	16
30	806556	WAL28	7/16" Washer, Lock	16
31	804368	WAL40	5/8" Washer, Lock	2

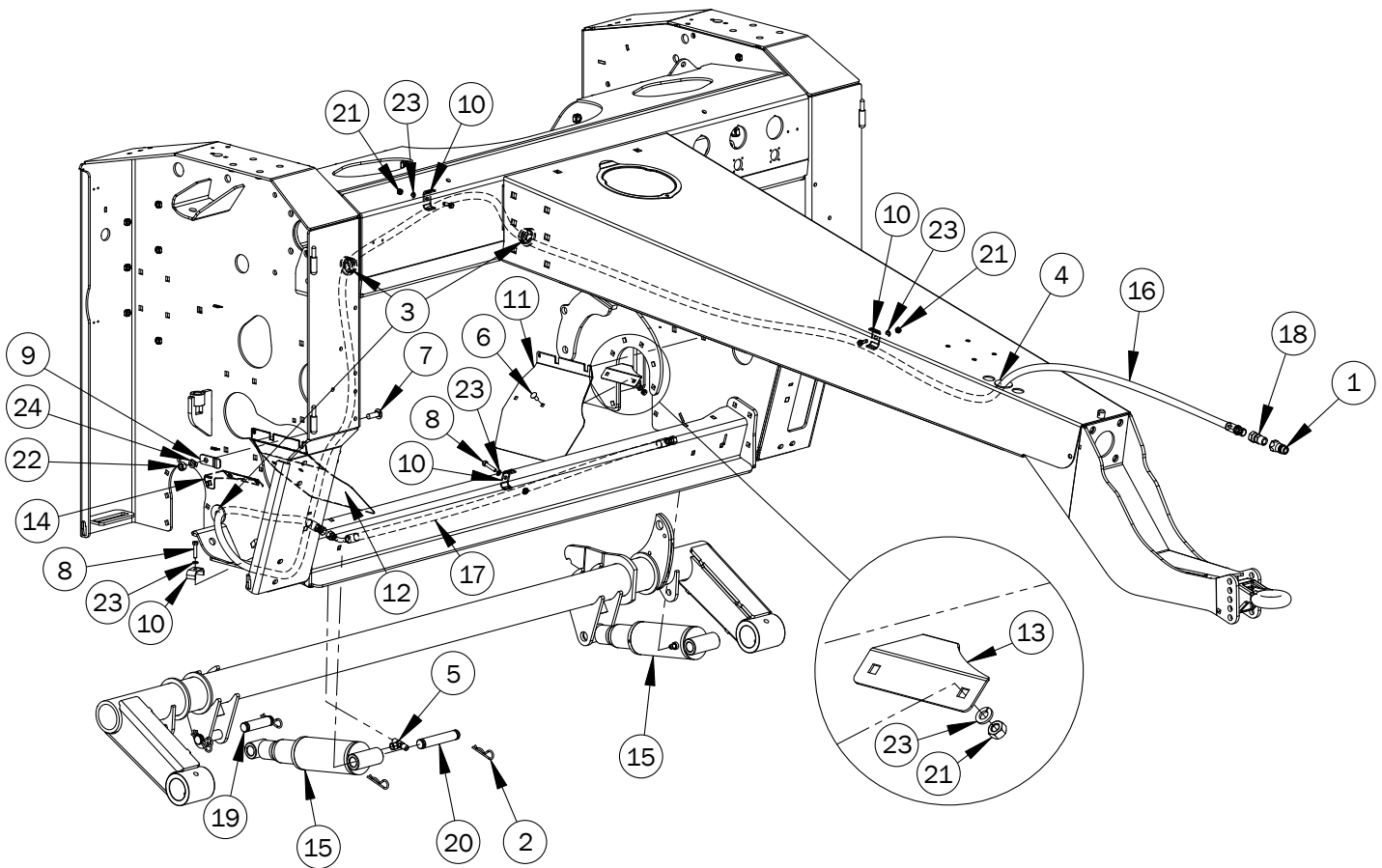
Wheel Hub Assembly



Wheel Hub Assembly

Item No.	Stock No.	Drawing No.	Description	Qty.
1	804069	MC551	Wheel Hub/Race	1
2	804070	MC552	Oil Seal	1
3	804071	MC553	Bearing	1
4	807822	MC554	Race	1
5	804073	MC555	Bearing	1
6	807821	MC556	Race	1
7	804075	MC557	Nut	1
8	804076	MC558	Cotter Pin	1
9	804077	MC559	Hub Cap	1
10	804080	MC561	Washer	1

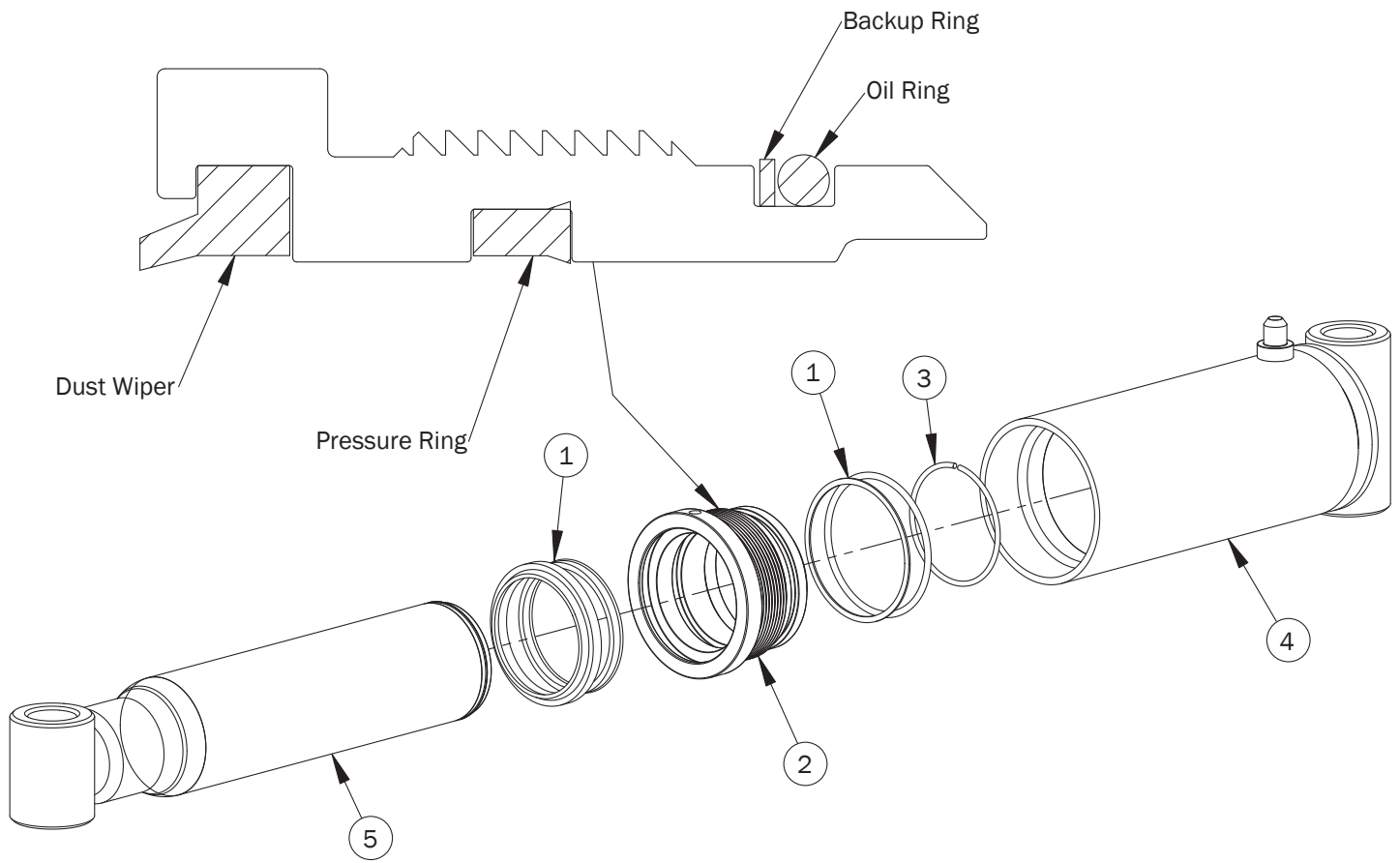
Hydraulics



Hydraulics

Item No.	Stock No.	Drawing No.	Description	Qty.
1	804099	804099	Quick Coupler	1
2	804103	804103	Pin, Hitch, R, 5/32" x 2-15/16"	8
3	804105	804105	Grommet	3
4	804106	804106	Grommet	1
5	807452	807452	Tee # 6 JIC	1
6	800062	BOC20035	5/16" x 3/4" Bolt, Carr.	4
7	800054	BOC32065	1/2" x 1-1/2" Bolt, Carr. (See pages 36-37, Item 8)	-
8	800205	BOS20065	5/16" x 1-1/2" Bolt, Standard	2
9	803795	MC211	Hose Clamp	1
10	803829	MC215F	Hydraulic Hose Clamp	4
11	807639	MC2225L	Shield, Cylinder, L/H	1
12	807642	MC2225R	Shield, Cylinder, R/H	1
13	810432	MC2226L	Brace, Shield, Cylinder, L/H	1
14	810435	MC2226R	Brace, Shield, Cylinder, R/H	1
15	807445	MC710	Cylinder Assembly (See pages 60-61)	2
16	807449	MC712A	Hydraulic Hose - Long	1
17	807451	MC713A	Hydraulic Hose - Short	1
18	807705	MC718	Flow Restrictor	1
19	804101	MC720	Cylinder Pin, 3-1/4"	2
20	804102	MC721	Cylinder Pin, 4-3/4"	2
21	804194	NUTS20	5/16" Nut, Standard	6
22	804196	NUTS32	1/2" Nut, Standard (See pages 36-37, Item 36)	-
23	807528	WAL20	5/16" Washer, Lock	8
24	804367	WAL32	1/2" Washer, Lock (See pages 36-37, Item 40)	-

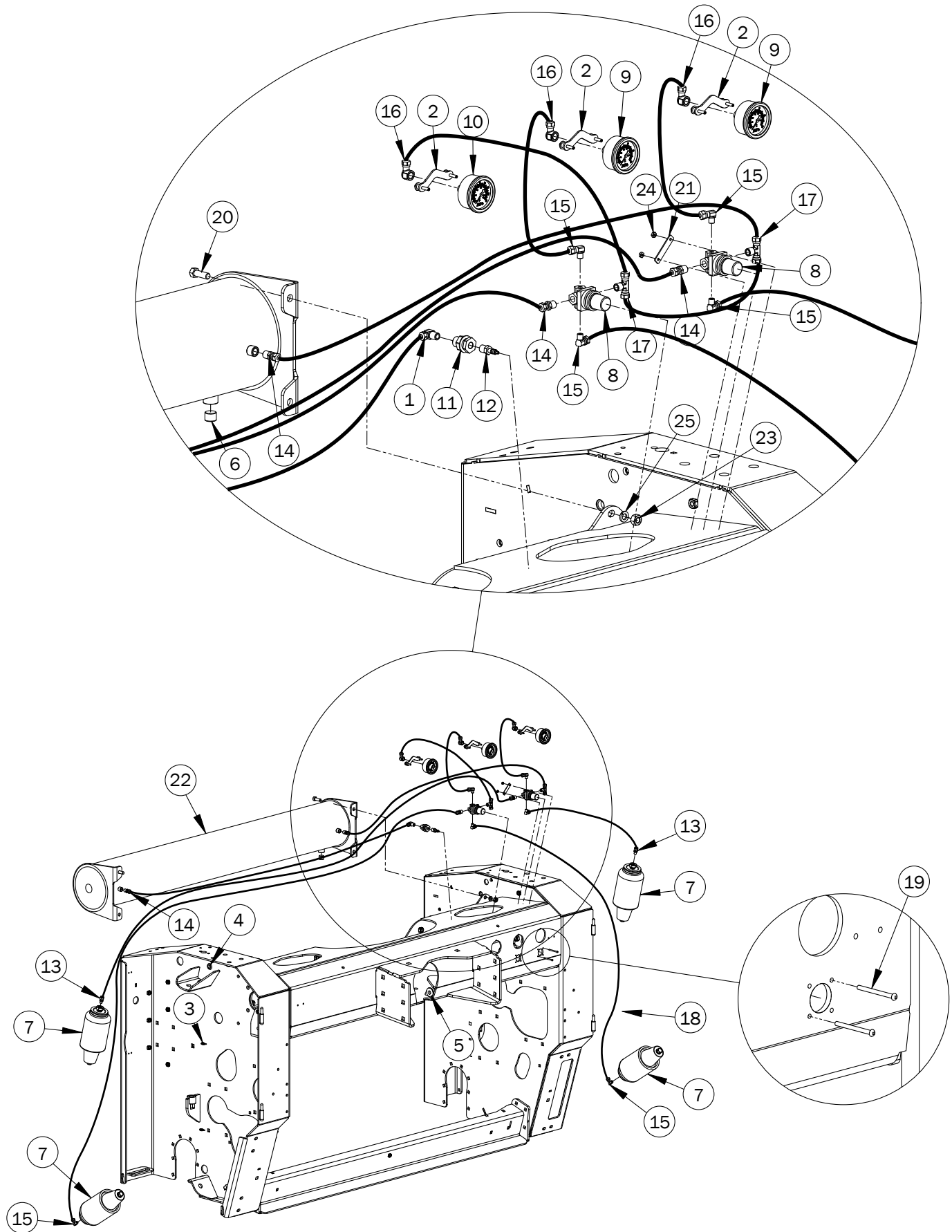
Cylinder Assembly



Cylinder Assembly

Item No.	Stock No.	Drawing No.	Description	Qty.
1	807355	807355	Seal Kit, Cylinder	1
2	807633	MC711A	Nut, Cylinder	1
3	807356	MC711B	Retaining Snap Ring	1
4	807635	MC71W1	Tube, Cylinder	1
5	807634	MC71W2	Shaft, Cylinder	1

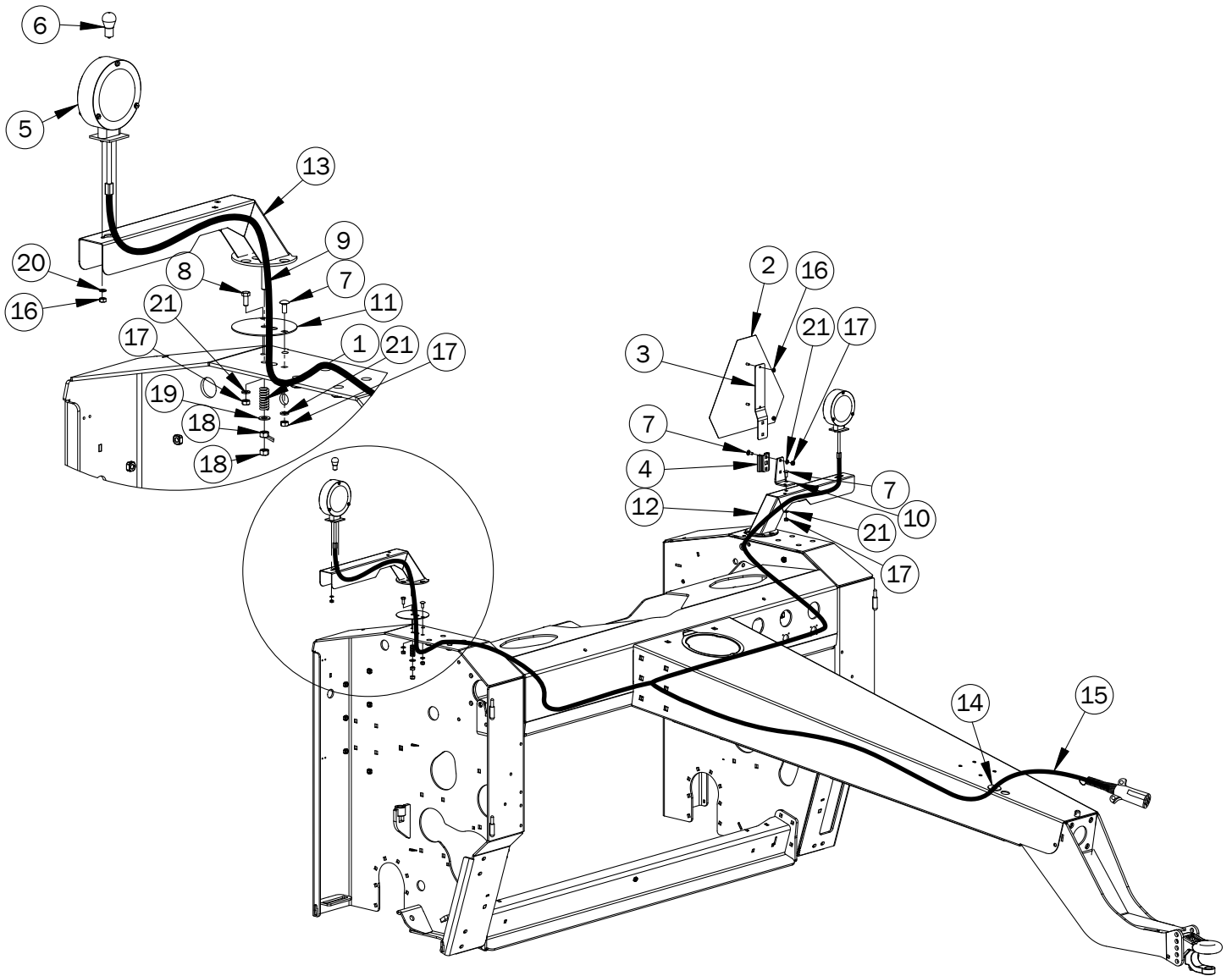
Air System



Air System

Item No.	Stock No.	Drawing No.	Description	Qty.
1	800755	800755	1/4" Compression x 1/4" Male Pipe Thread Elbow	1
2	801714	801714	Clamp, U, Gauge	3
3	804107	804107	Grommet	4
4	804108	804108	Grommet	8
5	804109	804109	Grommet	9
6	804142	804142	Plug, 1/2" NPT	1
7	804143	804143	Air Bag	4
8	804144	804144	Regulator	2
9	804146	804146	Gauge, Roll Pressure	2
10	804147	804147	Gauge, Air Tank Pressure	1
11	804148	804148	Bulkhead Fitting	1
12	804149	804149	Shrader Valve	1
13	804150	804150	Straight Fitting, 1/8" x 1/4"	2
14	804151	804151	Straight Fitting, 1/4" x 1/4"	4
15	804152	804152	1/8" Male x 1/4" Hose End Elbow	6
16	804153	804153	1/4" Female End x 1/4" Hose End Elbow	3
17	804154	804154	Tee	2
18	808623	808623	Green Tubing 1/4" (For whole machine.)	35.5ft
19	810773	BORSS8-3208	8-32 x 2" Screw	4
20	803625	BOS28055	7/16" x 1-1/4" Bolt, Standard	4
21	810772	MC213	Clamp, Air Regulator	2
22	810494	MC26W3	Air Tank	1
23	800240	NUTS28	7/16" Nut, Standard	4
24	800143	NUTS8-32	8-32 Nut, Machine	4
25	806556	WAL28	7/16" Washer, Lock	4

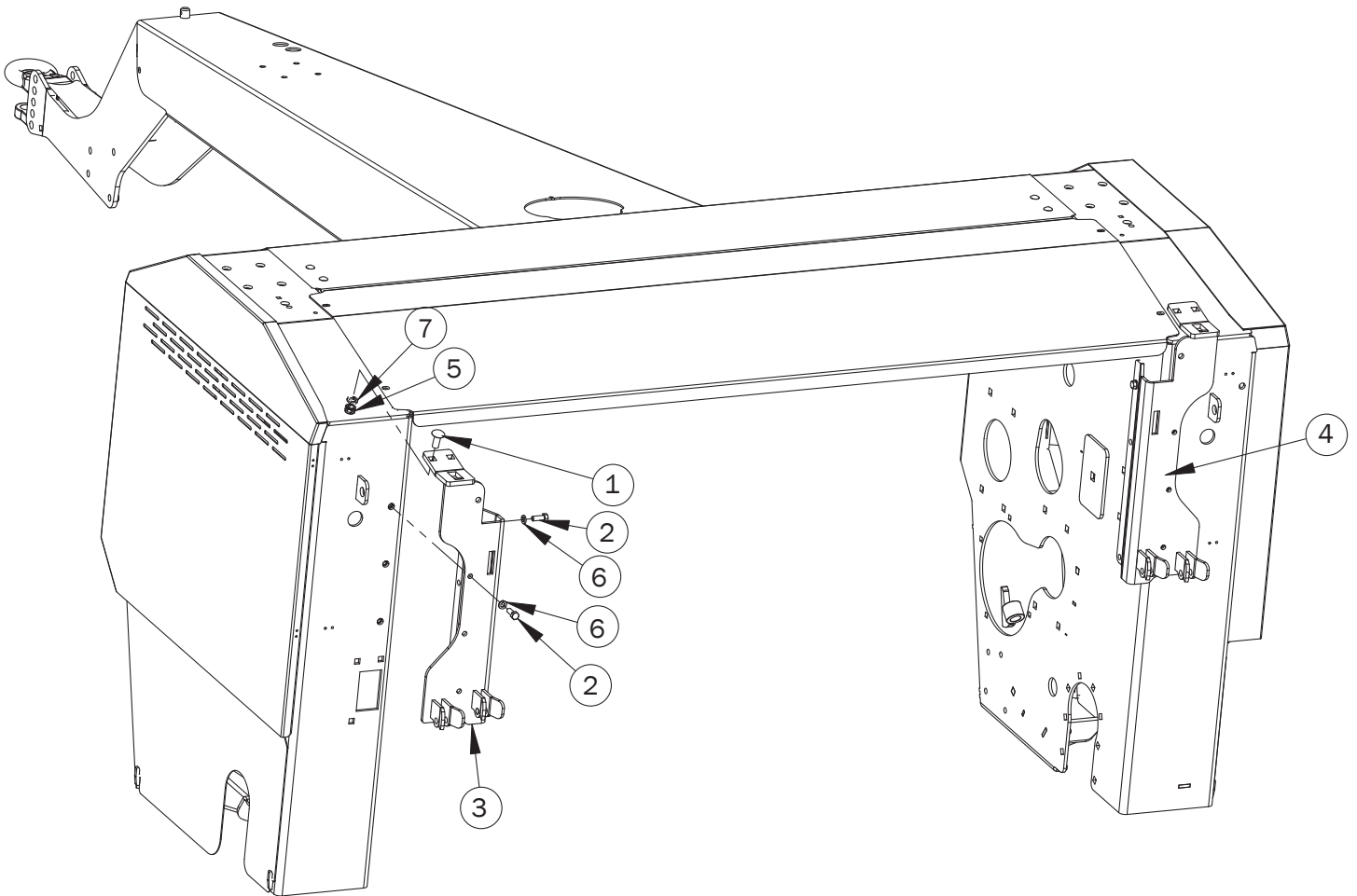
Lights & Emblem Assembly



Lights & Emblem Assembly

Item No.	Stock No.	Drawing No.	Description	Qty.
1	804302	804302	Compression Spring	2
2	807712	807712	SMV Emblem Triangle	1
3	807713	807713	SMV Emblem Bracket, 2" x 11"	1
4	807919	807919	SMV Emblem Bracket, 2" x 2-1/2"	1
5	808262	808262	Light Assembly	2
6	808267	808267	Bulb	2
7	800062	BOC20035	5/16" x 3/4" Bolt, Carr.	6
8	800209	BOS20035	5/16" x 3/4" Bolt, Standard	2
9	800200	BOS24105	3/8" x 2-1/2" Bolt, Standard	2
10	807802	MC2514	Bracket - SMV Emblem	1
11	804032	MC251A	Light Bracket, Pivot Wear Plate	2
12	804044r02	MC25W1L	Light Bracket, L/H	1
13	808381	MC25W1R	Light Bracket, R/H	1
14	804106	MC726	Grommet	1
15	801732	MC745	Wire Harness (With plug-ins complete.)	1
16	800233	NUTS16	1/4" Nut, Standard	6
17	804194	NUTS20	5/16" Nut, Standard	8
18	800236	NUTS24	3/8" Nut, Standard	4
19	807523	WAF24M	3/8" SAE Washer, Flat	2
20	808353	WAL16	1/4" Washer, Lock	4
21	807528	WAL20	5/16" Washer, Lock	8

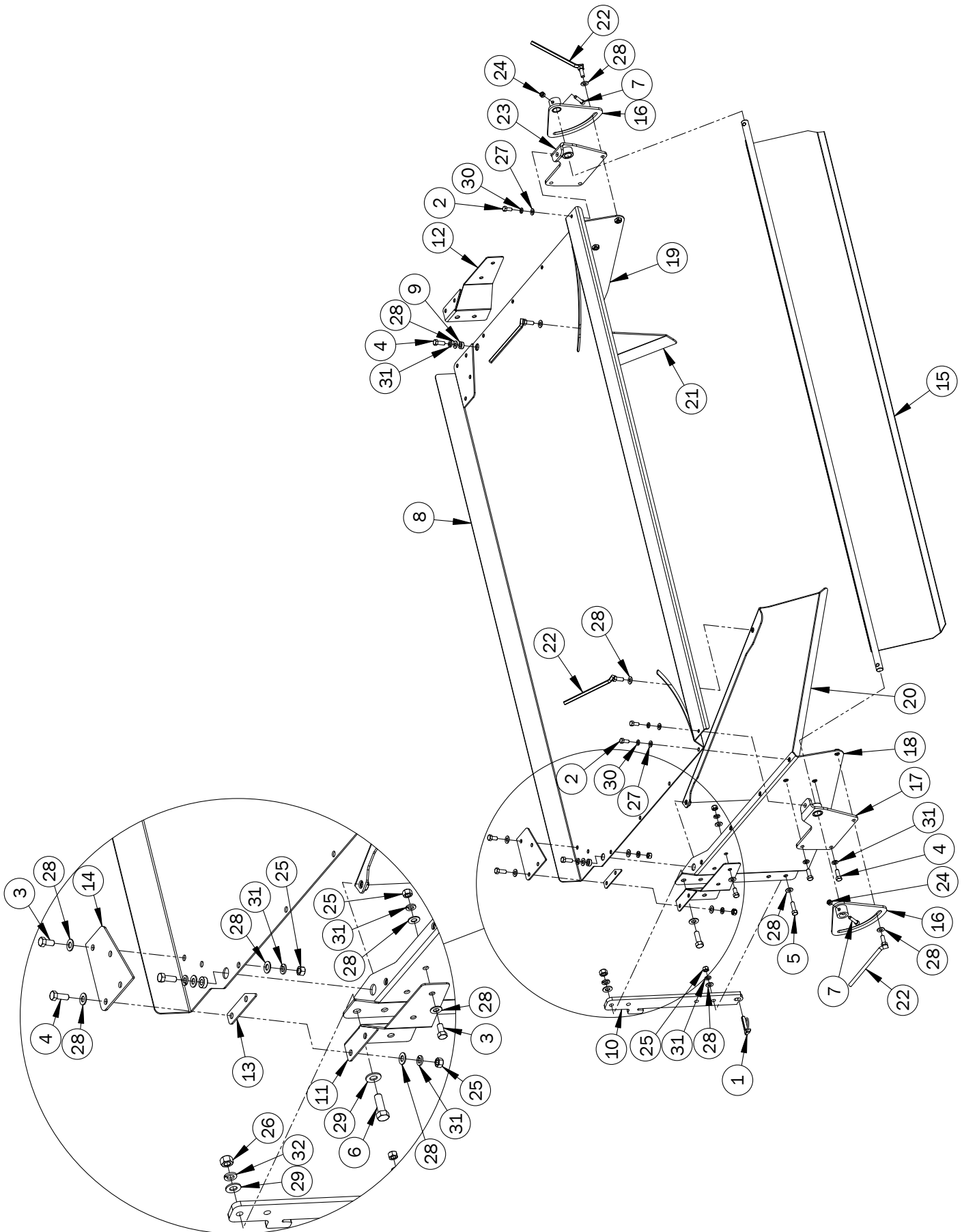
Attachment Brackets



Attachment Brackets

Item No.	Stock No.	Drawing No.	Description	Qty.
1	800055	BOC32055	1/2" x 1-1/4" Bolt, Carr.	4
2	800195	BOS24045	3/8" x 1" Bolt, Standard	14
3	807828	MCT11W3L	Tedder Quick Attach Hook Eye, L/H	1
4	807830	MCT11W3R	Tedder Quick Attach Hook Eye, R/H	1
5	804196	NUTS32	1/2" Nut, Standard	4
6	804366	WAL24	3/8" Washer, Lock	14
7	804367	WAL32	1/2" Washer, Lock	4

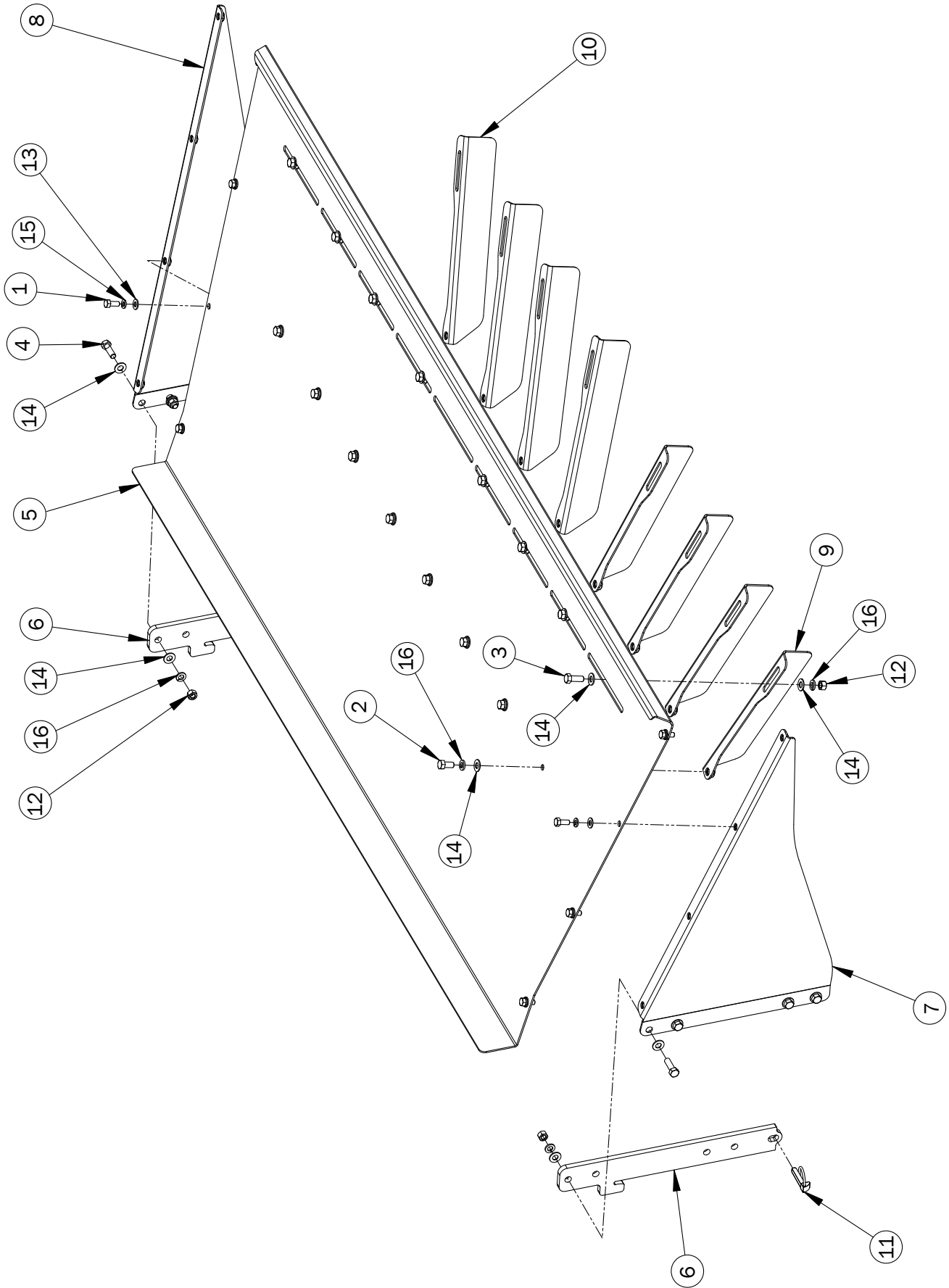
Windrower Attachment Kit K101



Windrower Attachment Kit K101

Item No.	Stock No.	Drawing No.	Description	Qty.
1	801818	801818	Pin, Lynch, 7/16"	2
2	800209	BOS20035	5/16" x 3/4" Bolt, Standard	10
3	803623	BOS24035	3/8" x 3/4" Bolt, Standard	8
4	800195	BOS24045	3/8" x 1" Bolt, Standard	10
5	800197	BOS24055	3/8" x 1-1/4" Bolt, Standard	6
6	800165	BOS32065	1/2" x 1-1/2" Bolt, Standard	2
7	800225	BOSH20065	5/16" x 1-1/2" Cap Screw, Socket Head	2
8	803998	MC248	Top, Windrower	1
9	803994	MC248C	7mm Bushing 3/8" ID	2
10	803996	MC248D	Hook, Attachment	2
11	810636	MC248KL	Brace, Windrower, L/H	1
12	810633	MC248KR	Brace, Windrower, R/H	1
13	810621	MC248M	Spacer, Windrower,	2
14	810622	MC248N	Plate, Reinforcement, Windrower	2
15	804000	MC24W1	Chute Adjuster Plate	1
16	804002	MC24W2	Chute Adjuster Slide	2
17	804026	MC24W8	Chute Adjuster Bracket, L/H	1
18	804016	MC24W8A	Support, Windrower, L/H	1
19	804018	MC24W8B	Support, Windrower, R/H	1
20	804020	MC24W8CL	Windrower Width Adjuster, L/H	1
21	804022	MC24W8CR	Windrower Width Adjuster, R/H	1
22	804025	MC24W8F	Wing Bolt, Windrower	4
23	804028	MC24W9	Chute Adjuster Bracket, R/H	1
24	804194	NUTS20	5/16" Nut, Standard	2
25	800236	NUTS24	3/8" Nut, Standard	18
26	804196	NUTS32	1/2" Nut, Standard	2
27	807522	WAF20M	5/16" SAE Washer, Flat	10
28	807523	WAF24M	3/8" SAE Washer, Flat	42
29	807524	WAF32M	1/2" SAE Washer, Flat	4
30	807528	WAL20	5/16" Washer, Lock	10
31	804366	WAL24	3/8" Washer, Lock	24
32	804367	WAL32	1/2" Washer, Lock	2

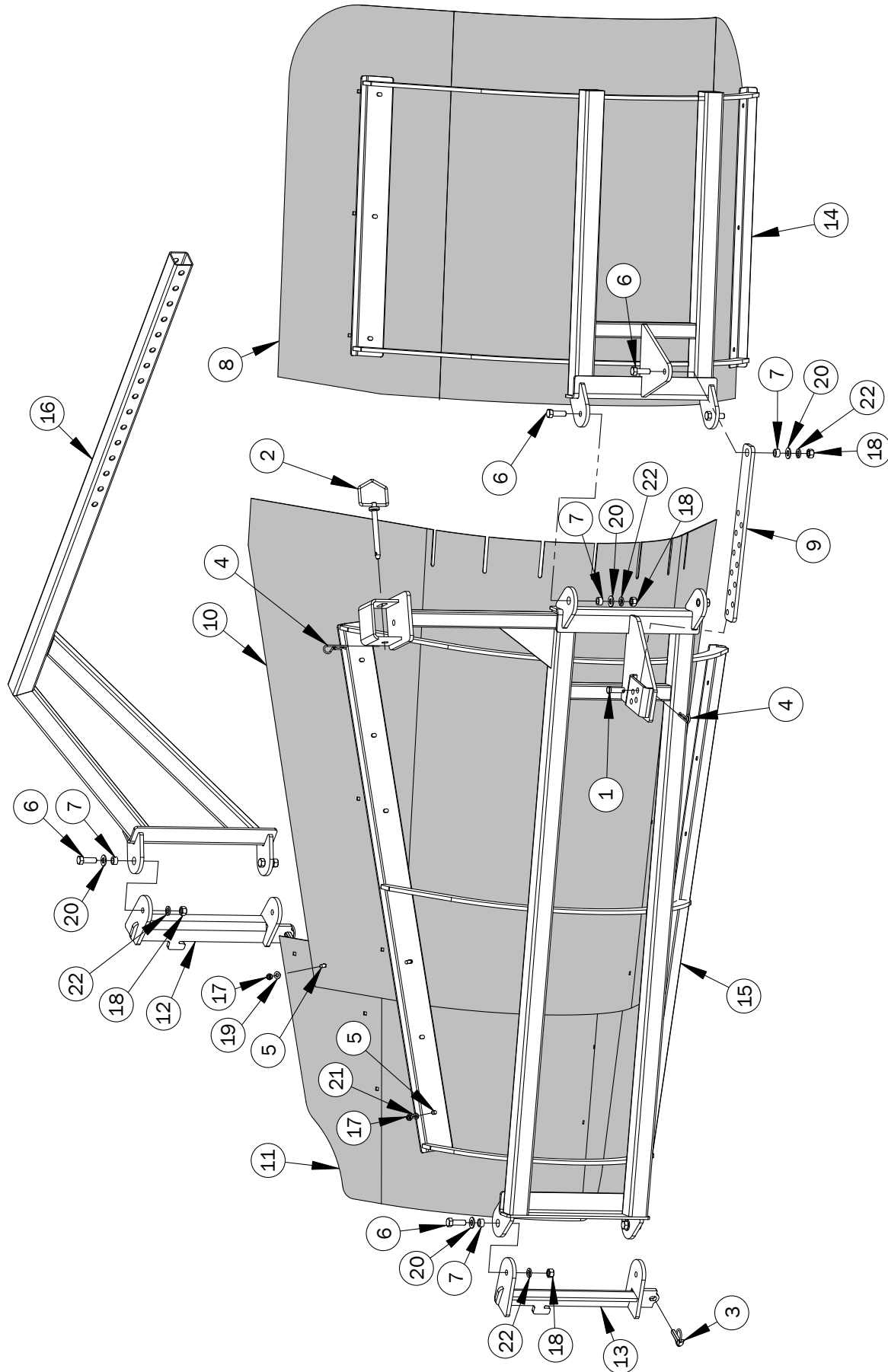
Spreader, Adjustable Attachment Kit K102



Spreader, Adjustable Attachment Kit K102

Item No.	Stock No.	Drawing No.	Description	Qty.
1	800209	BOS20035	5/16" x 3/4" Bolt, Standard	8
2	803623	BOS24035	3/8" x 3/4" Bolt, Standard	8
3	800195	BOS24045	3/8" x 1" Bolt, Standard	8
4	800197	BOS24055	3/8" x 1-1/4" Bolt, Standard	8
5	807729	MC247C	Spreader Top Plate	1
6	803996	MC248D	Attachment Hook	2
7	804010	MC24W7A	Spreader Support, L/H	1
8	804012	MC24W7B	Spreader Support, R/H	1
9	807728	MC24W7D	Fin - Spreader Adjustable, L/H	4
10	807726	MC24W7E	Fin - Spreader Adjustable, R/H	4
11	801818	801818	7/16" Lynch Pin	2
12	800236	NUTS24	3/8" Nut, Standard	16
13	807522	WAF20M	5/16" SAE Washer, Flat	8
14	807523	WAF24M	3/8" SAE Washer, Flat	40
15	807528	WAL20	5/16" Washer, Lock	8
16	804366	WAL24	3/8" Washer, Lock	24

Moldboard Attachment Kit K105

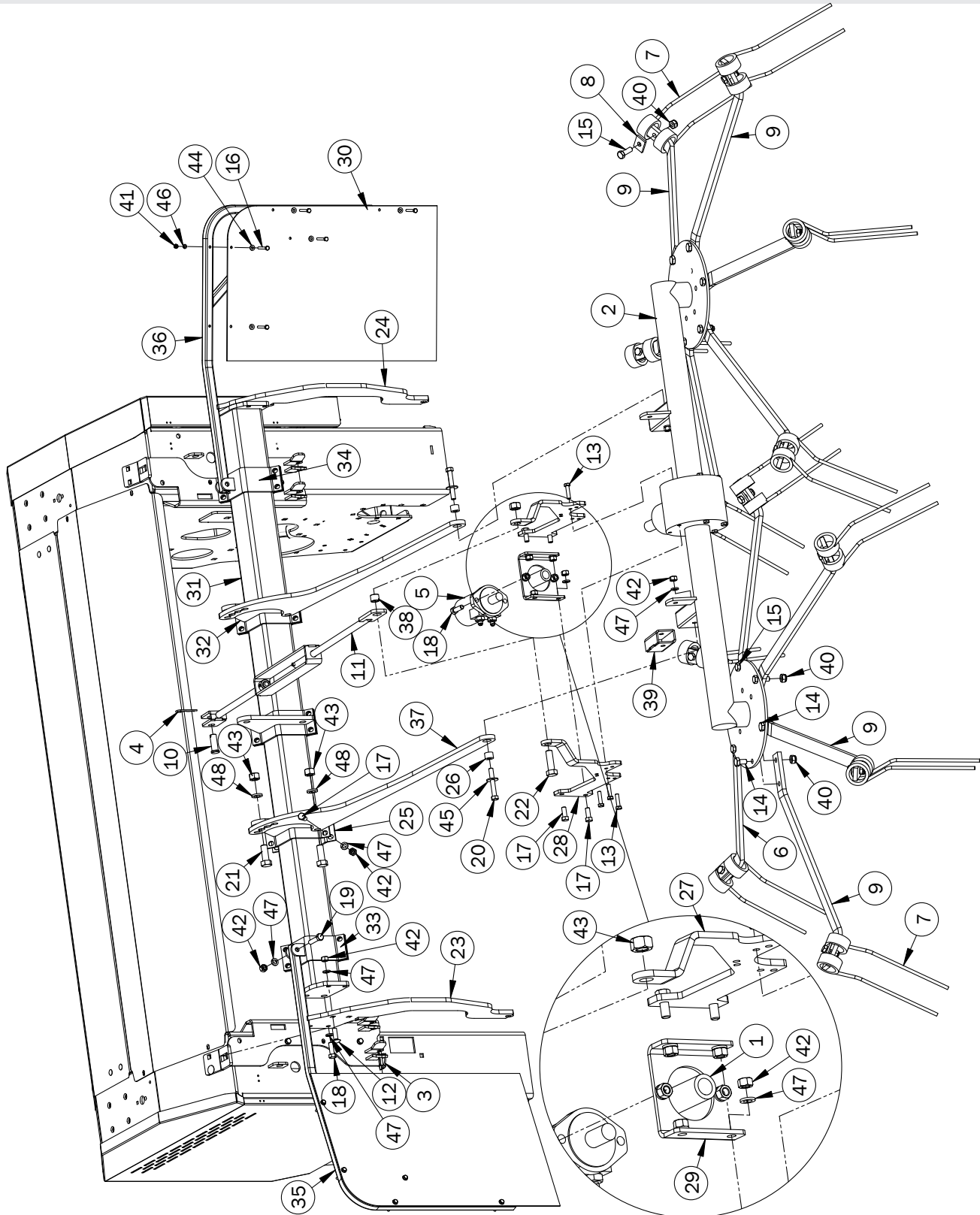


Moldboard Attachment Kit K105

Item No.	Stock No.	Drawing No.	Description	Qty.
1	801081	801081	Pin, Clevis, 1/2" x 1-3/4"	1
2	801082	801082	Pin, 1/2" x 3-1/2"	1
3	801818	801818	Pin, Lynch, 7/16"	2
4	801820	801820	Pin, R, 1/8"	2
5	800062	BOC20035	5/16" x 3/4" Bolt, Carr.	18
6	800165	BOS32065	1/2" x 1-1/2" Bolt, Standard	7
7	803676	MB123	Moldboard Hinge Bushing	7
8	808547	MB125	Plastic Moldboard Extension	1
9	803692	MB126	Extension Angle Adjuster Bar	1
10	808546	MB127	Plastic Moldboard	1
11	808175	MB128	Plastic Moldboard	1
12	803696	MB12W1	Moldboard Quick Attach Hook, R/H	1
13	803694	MB12W2	Moldboard Quick Attach Hook, L/H	1
14	808566	MB12W7	Moldboard Extension Frame	1
15	810581	MB13W1	Main Frame, Moldboard	1
16	810584	MB13W2	Arm, Adjuster, Moldboard	1
17	804194	NUTS20	5/16" Nut, Standard	18
18	804196	NUTS32	1/2" Nut, Standard	7
19	807522	WAF20M	5/16" SAE Washer, Flat	2
20	807524	WAF32M	1/2" SAE Washer, Flat	7
21	807528	WAL20	5/16" Washer, Lock	16
22	804367	WAL32	1/2" Washer, Lock	7

Tedder Attachment Kit K104

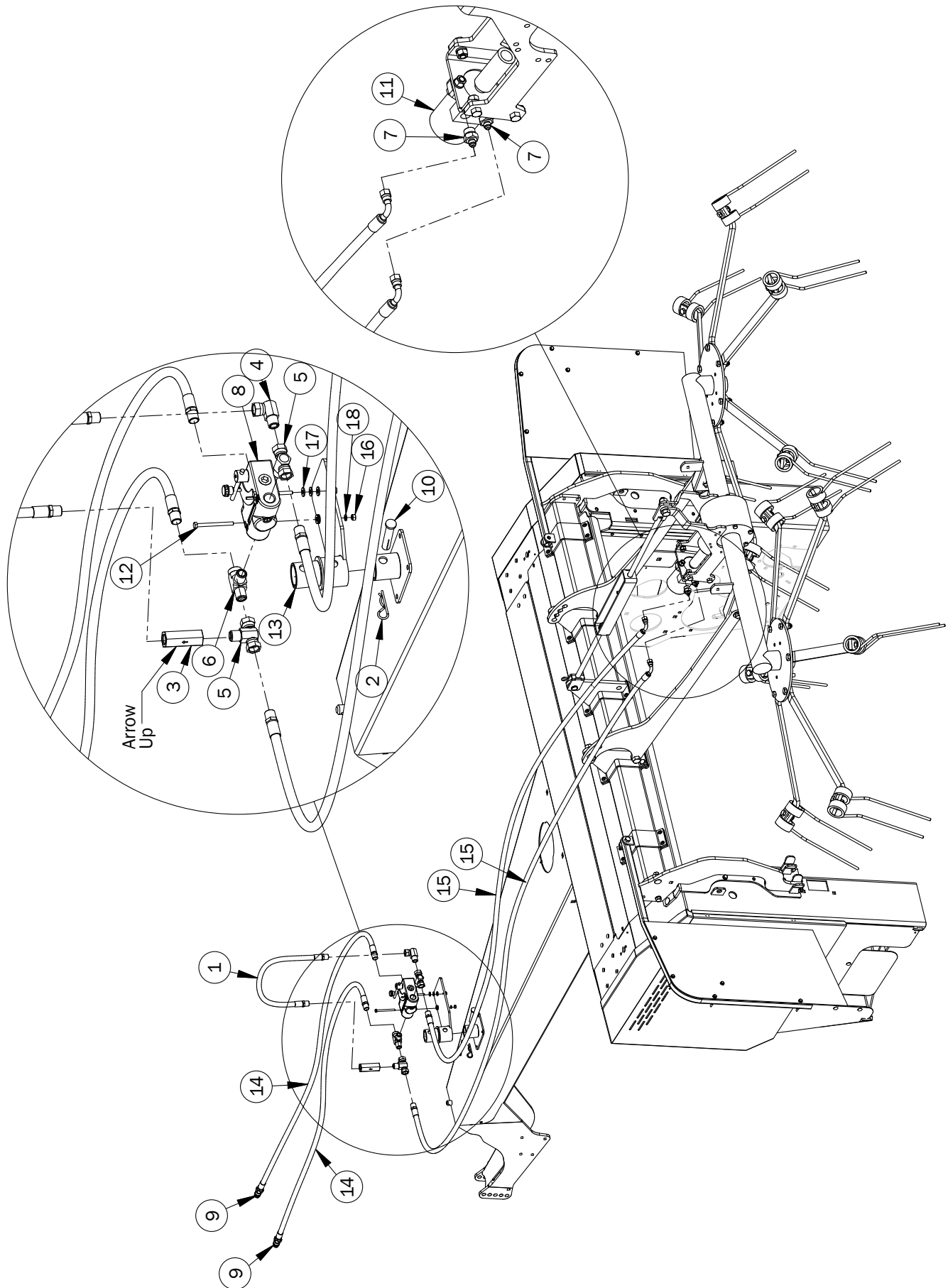
Item No.	Stock No.	Drawing No.	Description	Qty.
1	800321	800321	Coupler, 1-3/8"	1
2	801682	801682	Tedder, Daros (Rossi)	1
3	801818	801818	Pin, Lynch, 7/16"	2
4	801820	801820	Pin, R, 1/8"	1



Tedder Attachment Kit K104

Item No.	Stock No.	Drawing No.	Description	Qty.
5	808545	808545	Motor, Hydraulic, 2006 DH 50 (See pages 76-77, Item 11)	-
6	809090	809090	Tooth Arm, Fixed, Tedder	8
7	809091	809091	Tooth, Tedder	12
8	809092	809092	Plate, Tooth Clamp, Tedder	12
9	809096	809096	Tooth Arm, Adjustable, Tedder	4
10	809586	809586	Pin, Clevis, 3/4" x 2"	1
11	810158	A66012	Turnbuckle Assembly, Tedder (See pages 78-79)	1
12	800054	BOC32065	1/2" x 1-1/2" Bolt, Carr.	4
13	809040	BOM10405	10mm x 40mm Bolt, Metric	6
14	809098	BOM14255	14mm x 25mm Bolt, Metric	4
15	809094	BOM14405	14mm x 40mm Bolt, Metric	20
16	800182	BOS16085	1/4" x 2" Bolt, Standard	10
17	800166	BOS32055	1/2" x 1-1/4" Bolt, Standard	24
18	800165	BOS32065	1/2" x 1-1/2" Bolt, Standard	6
19	808784	BOS32098	1/2" x 2-1/4" Bolt, Standard, Gr. 8	2
20	800174	BOS32145	1/2" x 3-1/2" Bolt, Standard	2
21	800190	BOS48085	3/4" x 2" Bolt, Standard	4
22	800191	BOS48105	3/4" x 2-1/2" Bolt, Standard	1
23	810553	MCT111L	Tedder Attachment Hook, L/H	1
24	810555	MCT111R	Tedder Attachment Hook, R/H	1
25	808174	MCT1122	Tedder Clamp	5
26	808172	MCT114	Tedder Attachment Arm Spacer	2
27	807861	MCT115	Arm, Motor Mounting, R/H	1
28	807864	MCT116	Arm, Motor Mounting, L/H	1
29	807859	MCT117	Motor Mounting Plate	1
30	807882	MCT119	Tedder Flap	2
31	807876	MCT11W1	Tedder Main Beam	1
32	807844	MCT11W2	Tedder Attachment Bracket	3
33	807854	MCT11W4	Tedder Flap Attachment Bracket, L/H	1
34	807857	MCT11W6	Tedder Flap Attachment Bracket, R/H	1
35	810559	MCT11W9L	Tedder Flap Frame, L/H	1
36	810562	MCT11W9R	Tedder Flap Frame, R/H	1
37	810557	MCT120	Tedder Attachment Arm	2
38	810157	MCT1214	Bushing, Turnbuckle, Tedder	1
39	810566	MCT12W5	Tube, Tedder Arm	2
40	809095	NUTL14	14mm Nut, Nylon Lock	24
41	800233	NUTS16	1/4" Nut, Standard	10
42	804196	NUTS32	1/2" Nut, Standard	34
43	804199	NUTS48	3/4" Nut, Standard	5
44	808781	WAF16M	1/4" SAE Washer, Flat	10
45	804364	WAF32	1/2" Washer, Flat	2
46	808353	WAL16	1/4" Washer, Lock	10
47	804367	WAL32	1/2" Washer, Lock	38
48	804369	WAL48	3/4" Washer, Lock	4

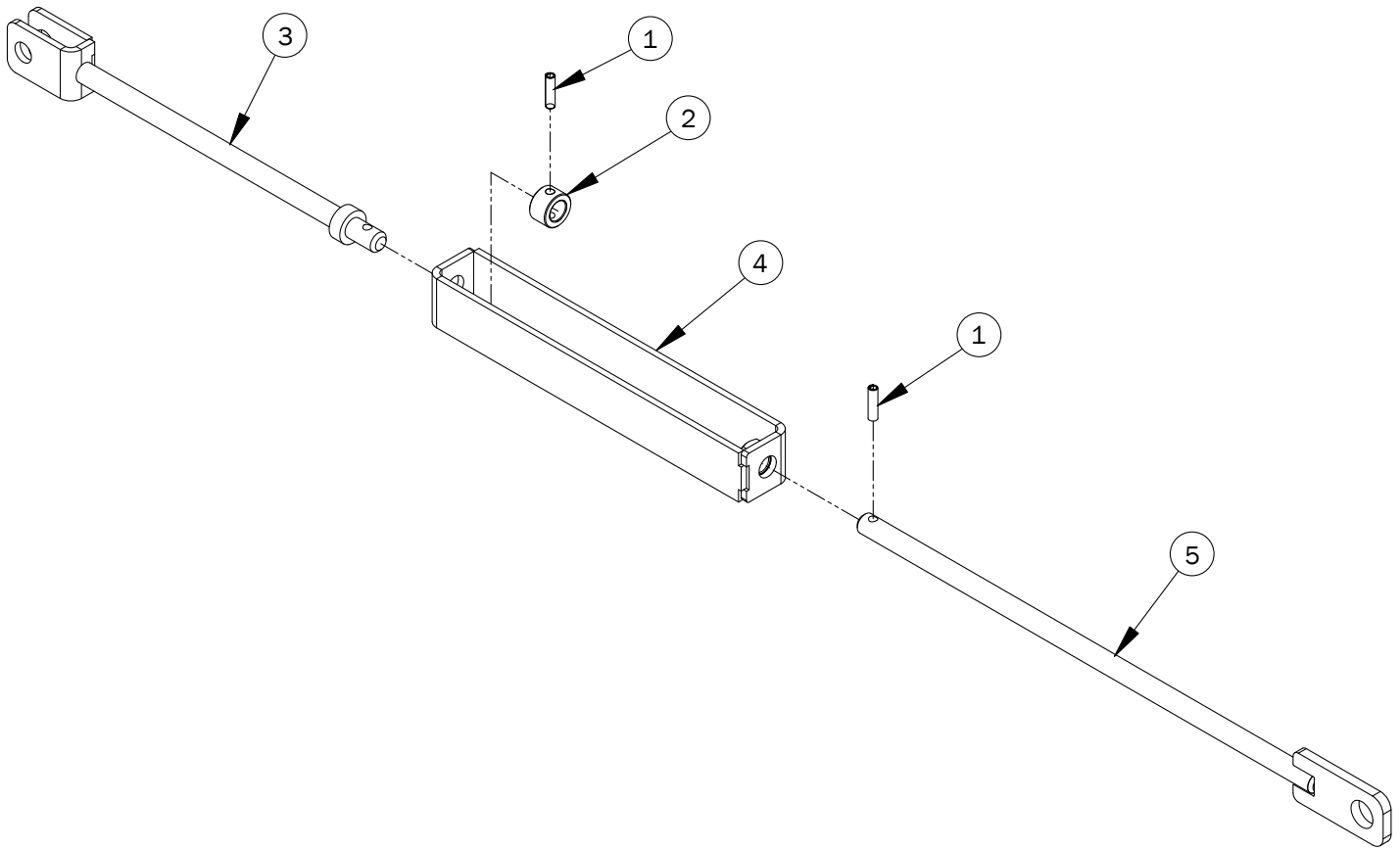
Tedder Attachment Kit K104 Hydraulics



Tedder Attachment Kit K104 Hydraulics

Item No.	Stock No.	Drawing No.	Description	Qty.
1	802478	79231-1	Hydraulic Hose, 24"	1
2	801820	801820	Pin, R, 1/8"	1
3	802474	802474	Valve, Check	1
4	802482	802482	Elbow, Hydraulic	1
5	802484	802484	Tee, Hydraulic	2
6	802485	802485	Tee, Hydraulic	1
7	802486	802486	Adapter, Hydraulic	2
8	802836	802836	Valve Body	1
9	804099	804099	Quick Coupler	2
10	807055	807055	Pin, Clevis	1
11	808545	808545	Motor, Hydraulic, 2001 DH 50	1
12	808783	BOS16125	1/4" x 3" Bolt, Standard	2
13	807879	MCT11W5	Valve Body Holder	1
14	808721	MCT745	Hydraulic Hose	2
15	808722	MCT746	Hydraulic Hose	2
16	800233	NUTS16	1/4" Nut, Standard	2
17	807522	WAF20M	5/16" SAE Washer, Flat	6
18	808353	WAL16	1/4" Washer, Lock	2

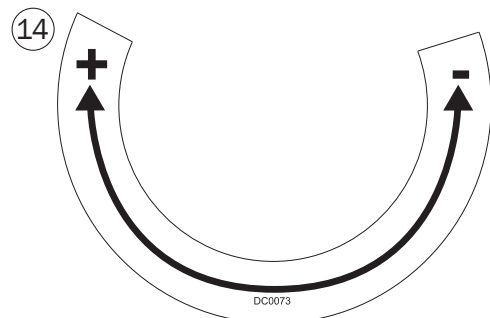
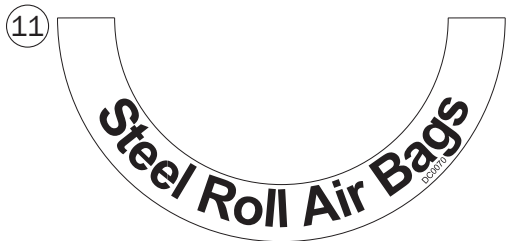
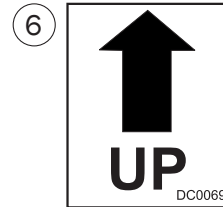
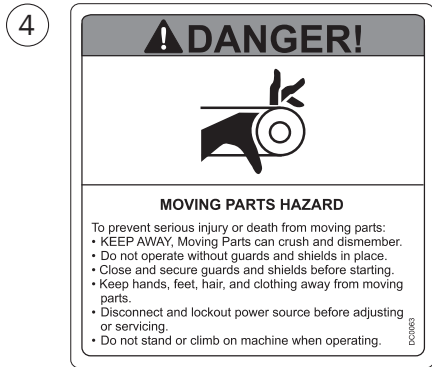
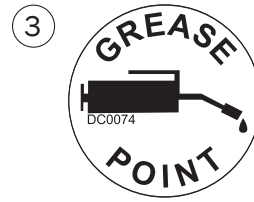
Tedder Attachment Kit K104 Turnbuckle Assembly



Tedder Attachment Kit K104 Turnbuckle Assembly

Item No.	Stock No.	Drawing No.	Description	Qty.
1	809600	809600	Pin, Coiled Spring, 0.312" x 1.25"	2
2	810155	MCT1213	Spacer, Bushing, Tedder	1
3	810138	MCT12W1	Clevis, Turnbuckle, Tedder	1
4	810144	MCT12W2	Arm Weldment, Turnbuckle, Tedder	1
5	810149	MCT12W3	Rod Weldment, Turnbuckle, Tedder	1

Decals



Decals

Item No.	Stock No.	Drawing No.	Description	Qty.
1	808626	DC0059	Macerator 6610 Side Panel Decal	2
2	808625	DC0060	Side Panel Grains Decal	2
3	801621	DC0074	Grease Point Decal	18
4	801620	DC0063	Moving Parts Hazard Decal	3
5	801629	DC0068	High Pressure Fluid Hazard Decal	4
6	801628	DC0069	Up Decal	2
7	801615	DC0066	AgLand Decal	2
8	801613	DC0062	1000 RPM Decal	1
9	801625	DC0065	Rubber Roll Air Bags Decal	1
10	801614	DC0061	540 RPM Decal	1
11	801627	DC0070	Steel Roll Air Bags Decal	1
12	801618	DC0071	Air Tank Pressure Decal	1
13	801617	DC0072	Air Tank Fill Decal	1
14	808660	DC0073	Close/Widen Gap Decal	2
15	801619	DC0064	Keep Shields and Guards in Place Decal	4

Index - Stock Numbers

Stock Number (Drawing Number).....	Page Number		
800045 (800045).....	11, 13	800212 (BOS40085)	13, 21, 37
800048 (800048).....	21, 37, 38, 42, 45	800214 (BOS40125).....	49
800054 (BOC32065).....	37, 39, 43, 45, 59, 75	800216 (BOS40185).....	19
800055 (BOC32055).....	43, 67	800219 (BOS28065)	3
800057 (BOC24045).....	3, 5, 37, 39	800225 (BOSH20065).....	69
800059 (BOC24055).....	5, 19	800228 (BOSH20088).....	11
800061 (BOC24035).....	43	800231 (BOSH40045).....	3
800062 (BOC20035).....	3, 7, 9, 19, 59, 65, 73	800233 (NUTS16)	65, 75, 77
800064 (BOC40065).....	19	800236 (NUTS24)	3, 5, 11, 13, 15, 19, 21, 39, 43, 51, 65, 69, 71
800065 (BOC40085).....	37, 39, 43, 45	800240 (NUTS28)	3, 19, 45, 55, 63
800066 (BOC40105).....	49	800259 (BOSQ24045).....	11, 13, 21
800068 (BOC40145).....	37, 43	800276 (800276).....	17
800072 (BOC28065).....	55	800321 (800321)	74
800073 (BOC28055).....	19, 45, 55	800396 (800396).....	2
800133 (NUTSJ64).....	37, 39, 43, 45, 53	800755 (800755)	63
800143 (NUTS8-32).....	63	800876 (800876).....	21
800159 (800159)	2, 17	800972 (800972)	25, 27
800164 (BOS32045).....	19, 41	801081 (801081).....	73
800165 (BOS32065).....	69, 73, 75	801082 (801082).....	73
800166 (BOS32055).....	19, 37, 39, 43, 45, 75	801169 (MC811S).....	41, 47
800167 (BOS32075).....	53	801171 (MC812S)	15
800170 (BOS32105T).....	37, 43	801176 (MC815S)	41
800173 (BOS32035).....	49	801177 (MC816S).....	41, 47
800174 (BOS32145).....	37, 75	801481 (MC221).....	39, 45
800176 (BOS32165).....	55	801484 (MC221A).....	37, 43
800182 (BOS16085).....	75	801518 (MC228A).....	53
800187 (BOS64105T).....	37, 43	801613 (DC0062)	81
800189 (BOS48065).....	43	801614 (DC0061).....	81
800190 (BOS48085).....	75	801615 (DC0066)	81
800191 (BOS48105).....	75	801617 (DC0072).....	81
800195 (BOS24045).....	11, 13, 25, 27, 67, 69, 71	801618 (DC0071).....	81
800197 (BOS24055).....	9, 11, 13, 19, 39, 45, 51, 69, 71	801619 (DC0064)	81
800198 (BOS24075).....	51	801620 (DC0063)	81
800200 (BOS24105).....	65	801621 (DC0074).....	81
800205 (BOS20065).....	19, 59	801625 (DC0065)	81
800206 (BOS20085).....	19	801627 (DC0070)	81
800207 (BOS20108).....	13	801628 (DC0069).....	81
800209 (BOS20035).....	3, 11, 13, 19, 65, 69, 71	801629 (DC0068).....	81
800210 (BOS40045).....	43, 53	801682 (801682).....	74
800211 (BOS40065).....	21	801714 (801714).....	63

Index - Stock Numbers

801732 (MC745)	65	803855 (MC21W5C)	19
801818 (801818).....	3, 69, 71, 73, 74	803857 (MC21W5D).....	19
801820 (801820)	38, 45, 49, 55, 73, 74, 77	803869 (MC21W8)	19
802474 (802474).....	77	803871 (MC21W9).....	55
802478 (79231-1).....	77	803874 (MC222A).....	43
802482 (802482)	77	803876 (MC222).....	37
802484 (802484)	77	803878 (MC223).....	39, 45
802485 (802485)	77	803884 (MC225A)	37, 43, 53
802486 (802486)	77	803892 (MC226E)	43
802836 (802836).....	77	803894 (MC226G).....	43
802911 (MC835A).....	41	803895 (MC226)	39
802917 (MC838).....	41	803897 (MC2271).....	21
802922 (MC839B)	15	803902 (MC22W12).....	37
803583 (803583).....	38	803904 (MC22W1)	39, 45
803585 (803585).....	42	803906 (MC22W2)	43
803586 (803586).....	13	803908 (MC22W3)	39, 45, 53
803587 (803587)	42	803912 (MC22W4L)	45
803611 (BORSS6-3201).....	3	803915 (MC22W4R).....	39
803612 (BORSS6-3202).....	3	803928 (MC22W9)	53
803622 (803622)	19	803939 (MC232)	49
803623 (BOS24035)	13, 69, 71	803947 (A66005)	49
803625 (BOS28055)	3, 63	803950 (MC238A)	51
803660 (KE1605)	15	803951 (MC238C)	49
803661 (KE2404)	41	803953 (MC238L).....	51
803662 (KE2408)	21, 25, 27, 41, 47	803955 (MC238R).....	51
803676 (MB123).....	73	803959 (MC23W5)	55
803692 (MB126)	73	803962 (MC23W8A).....	49
803694 (MB12W2)	73	803994 (MC248C)	9, 39, 45, 69
803696 (MB12W1)	73	803996 (MC248D).....	69, 71
803722 (MC113).....	11	803998 (MC248).....	69
803729 (MC114B)	17	804000 (MC24W1)	69
803761 (MC12W6).....	15	804002 (MC24W2)	69
803764 (MC1311).....	13	804010 (MC24W7A).....	71
803765 (MC1312).....	11	804012 (MC24W7B).....	71
803766 (MC133A).....	13	804016 (MC24W8A).....	69
803767 (MC133M).....	11	804018 (MC24W8B).....	69
803773 (MC13W3).....	11	804020 (MC24W8CL)	69
803795 (MC211).....	59	804022 (MC24W8CR).....	69
803824 (MC215C).....	19	804025 (MC24W8F)	69
803827 (MC215E).....	19	804026 (MC24W8)	69
803829 (MC215F).....	59	804028 (MC24W9)	69

Index - Stock Numbers

804032 (MC251A).....	65	804148 (804148).....	63
804037 (MC254B).....	39, 45	804149 (804149).....	63
804059 (804059).....	11	804150 (804150).....	63
804061 (804061).....	11, 13	804151 (804151).....	63
804062 (804062).....	11, 13	804152 (804152).....	63
804064 (804064).....	11, 13	804153 (804153).....	63
804066 (804066).....	11, 13	804154 (804154).....	63
804067 (804067).....	55	804155 (804155).....	37, 39, 42, 45
804069 (MC551).....	57	804160 (MCSE38TR).....	45
804070 (MC552).....	57	804187 (NUTFLP40).....	49
804071 (MC553).....	57	804189 (NUTL10).....	21, 31
804073 (MC555).....	57	804190 (NUTLP32FT).....	11
804075 (MC557).....	57	804191 (NUTS6-32).....	3
804076 (MC558).....	57	804194 (NUTS20).....	3, 7, 9, 11, 13, 19, 59, 65, 69, 73
804077 (MC559).....	57	804196 (NUTS32).....	37, 39, 43, 45, 59, 67, 69, 73, 75
804078 (804078).....	55	804198 (NUTS40).....	3, 13, 19, 37, 39, 43, 45
804080 (MC561).....	57	804199 (NUTS48).....	75
804081 (MC611).....	21	804232 (MC822S).....	41
804082 (MC611A).....	21	804233 (MC823S).....	41
804087 (MC615).....	21	804234 (MC824S).....	47
804090 (804090).....	19	804235 (MC825S).....	47
804099 (804099).....	59, 77	804236 (MC826S).....	41
804101 (MC720).....	59	804237 (804237).....	13
804102 (MC721).....	59	804238 (MC827S).....	15
804103 (804103).....	59	804239 (MC828S).....	15
804105 (804105).....	59	804301 (804301).....	19
804106 (804106).....	59, 65	804302 (804302).....	65
804107 (804107).....	63	804364 (WAF32).....	75
804108 (804108).....	63	804365 (WAF40).....	43
804109 (804109).....	63	804366 (WAL24).....	3, 5, 11, 13, 19, 39, 41, 43, 47, 51, 67, 69, 71
804110 (804110).....	19	804367 (WAL32).....	19, 37, 39, 41, 43, 45, 47, 49, 53, 59, 67, 69, 73, 75
804111 (804111).....	55	804368 (WAL40).....	3, 19, 21, 37, 39, 43, 45, 53, 55
804113 (MC750).....	11	804369 (WAL48).....	43, 75
804116 (MC770A).....	41	806138 (806138).....	27
804134 (MC832).....	15	806268 (806268).....	25, 27
804137 (804137).....	3	806269 (806269).....	25, 27
804142 (804142).....	25, 27, 63	806556 (WAL28).....	3, 19, 45, 55, 63
804143 (804143).....	63	806636 (NUTLP24).....	11, 39, 45
804144 (804144).....	63	806938 (MC820C).....	41
804146 (804146).....	63		
804147 (804147).....	63		

Index - Stock Numbers

806939 (MC821C)	41	807525 (WAF40M)	21, 49
806940 (MC814C)	41	807528 (WAL20)	7, 11, 13, 19, 41, 59, 65, 69, 71, 73
806941 (MC813C)	41	807546 (807546)	3
806942 (MC836C)	41	807550 (807550)	19
806943 (MC837C)	47	807558 (807558)	21, 37, 39, 42, 45, 49, 55
807000 (MC237A)	55	807559 (807559)	3
807031 (MC23W4R)	37	807562 (MC612B)	21
807032 (MC23W4L)	43	807563 (MC612C)	21
807033 (MC24W1BL)	9	807564 (MC617A)	21
807034 (MC241BR)	9	807565 (MC616)	21
807035 (MC241C)	9	807578 (MC215G)	19
807037 (MC125A)	15	807581 (807581)	3
807041 (MC227B)	21	807591 (MC25W2)	37, 43
807043 (MC241A)	9	807633 (MC711A)	61
807045 (MC141L)	5	807634 (MC71W2)	61
807047 (MC141R)	5	807635 (MC71W1)	61
807052 (MC225E)	37	807639 (MC2225L)	59
807055 (807055)	49, 77	807642 (MC2225R)	59
807101 (MC112W3)	13	807685 (807685)	9
807156 (BOSQ24055)	21	807705 (MC718)	59
807355 (807355)	61	807706 (BOC32075)	39, 45
807356 (MC711B)	61	807712 (807712)	65
807402 (807402)	13	807713 (807713)	65
807403 (807403)	19	807726 (MC24W7E)	71
807406 (MC122)	11	807728 (MC24W7D)	71
807445 (MC710)	59	807729 (MC247C)	71
807449 (MC712A)	59	807734 (MC26W1L)	43
807451 (MC713A)	59	807738 (MC26W1R)	37
807452 (807452)	59	807746 (807746)	25, 27
807456 (MC829B)	39	807747 (807747)	25, 27
807457 (MC829D)	39	807749 (807749)	25, 27
807461 (MC226H)	43	807750 (807750)	25
807472 (MC1253)	13	807757 (BOSH16025)	55
807487 (MC255D)	39	807778 (MC761A)	37, 43
807513 (MC723)	21	807784 (BOM10505)	21, 31
807516 (BOC20045)	11, 13	807786 (MC2256L)	43
807517 (BOC40075)	37, 39, 43, 45	807788 (MC2256R)	37
807521 (NUTLP40)	39	807791 (BOM12505)	21, 29
807522 (WAF20M)	3, 7, 9, 11, 13, 19, 69, 71, 73, 77	807792 (NUTL12)	21, 29
807523 (WAF24M)	3, 9, 11, 15, 19, 65, 69, 71	807794 (MC770D)	41
807524 (WAF32M)	37, 39, 43, 45, 69, 73	807799 (WAF28M)	3

Index - Stock Numbers

807802 (MC2514).....	65	807968 (807968)	31
807818 (807818).....	25	807969 (807969)	29, 33, 35
807819 (807819).....	25, 27	807970 (807970).....	29, 31, 33, 35,
807820 (807820)	25, 27	807971 (807971).....	31
807821 (MC556).....	57	807972 (807972).....	29
807822 (MC554).....	57	808015 (808015)	31
807823 (807823)	25	808016 (808016).....	29
807824 (807824).....	25	808017 (808017).....	31
807825 (807825)	25, 27	808018 (808018)	29
807826 (807826)	27	808019 (808019)	29
807828 (MCT11W3L).....	67	808020 (808020).....	31
807830 (MCT11W3R)	67	808021 (808021)	31
807835 (807835)	25	808022 (808022)	29
807836 (807836)	25	808023 (808023).....	31
807837 (807837).....	25, 27	808024 (808024)	29
807838 (807838)	25	808025 (808025).....	29, 31
807839 (807839)	25, 27	808026 (808026).....	29, 31
807841 (807841).....	25	808027 (808027)	31
807843 (807843)	27	808028 (808028).....	29
807844 (MCT11W2).....	75	808029 (808029).....	31
807847 (807847).....	25, 27	808030 (808030).....	29
807851 (807851).....	25, 27	808031 (808031)	31
807852 (807852)	25, 27	808032 (808032).....	29
807853 (807853)	25, 27	808033 (808033).....	29
807854 (MCT11W4).....	75	808034 (808034).....	29
807857 (MCT11W6).....	75	808035 (808035).....	31
807859 (MCT117)	75	808036 (808036).....	31
807861 (MCT115).....	75	808037 (808037)	31
807864 (MCT116).....	75	808038 (808038).....	31
807866 (807866)	21, 25, 27	808039 (808039).....	29
807869 (KE2406)	11, 13	808040 (808040).....	29
807876 (MCT11W1).....	75	808041 (808041).....	29
807879 (MCT11W5).....	77	808042 (808042).....	31
807882 (MCT119).....	75	808043 (808043).....	29, 31
807884 (MC2120A)	39	808044 (808044).....	21, 31
807890 (MC512A).....	21, 37, 39, 43, 45	808045 (808045).....	21, 29
807919 (807919).....	65	808046 (808046).....	21, 29
807964 (807964)	29	808047 (808047).....	21, 31
807965 (807965)	31	808048 (808048).....	31
807966 (807966)	29, 33, 35	808049 (808049).....	29
807967 (807967)	31	808050 (808050).....	29

Index - Stock Numbers

808051 (808051)	31	808353 (WAL16)	15, 41, 65, 75, 77
808052 (808052)	31	808355 (808355)	11, 13
808053 (808053)	29	808357 (MC761B).....	23
808054 (808054)	29	808358 (MC761C).....	23
808055 (808055)	31	808359 (MC761D)	23
808056 (808056)	31	808360 (MC761E).....	23
808057 (808057)	29	808362 (BOM12405)	37
808064 (808064)	29, 31	808363 (BOM16405)	43
808065 (808065)	35	808381 (MC25W1R)	65
808066 (808066)	35	808476 (808476)	3
808067 (808067)	33, 35	808522 (808522)	37
808068 (808068)	33	808530 (MC225M)	37
808070 (808070)	33	808545 (808545)	75, 77
808072 (808072)	33	808546 (MB127).....	73
808073 (808073)	33	808547 (MB125).....	73
808074 (808074)	33	808566 (MB12W7)	73
808075 (808075)	33	808587 (808587)	55
808076 (808076)	33	808596 (MC1310)	11
808077 (808077).....	33	808623 (808623)	63
808078 (808078)	33	808625 (DC0060).....	81
808107 (808107)	21	808626 (DC0059).....	81
808109 (808109).....	21, 37, 39, 43, 45	808660 (DC0073)	81
808111 (808111).....	15	808678 (MC3116R)	3
808115 (808115).....	55	808682 (MC3116L).....	3
808123 (808123)	23	808685 (MC3117).....	3
808128 (808128)	23	808688 (MC3118)	3
808172 (MCT114)	75	808691 (MC3121).....	3
808174 (MCT1122)	75	808694 (MC3119)	3
808175 (MB128).....	73	808714 (MC2140)	19
808200 (808200).....	21, 37, 39, 41, 43, 45	808716 (808716)	3
808212 (BOS40085)	43	808718 (MC854)	3
808262 (808262)	65	808719 (MC855R).....	3
808267 (808267)	65	808720 (MC855L).....	3
808339 (BOS32115T)	41, 47	808721 (MCT745)	77
808340 (BOS24085T)	41, 47	808722 (MCT746)	77
808341 (808341).....	41	808776 (808776)	21
808342 (808342)	41	808781 (WAF16M)	75
808343 (BOS20085T)	41	808783 (BOS16125).....	77
808344 (KE241605).....	41	808784 (BOS32098)	75
808345 (KE242007).....	41	808816 (808816).....	3
808352 (MC76W1)	23	808965 (808965).....	43

Index - Stock Numbers

808966 (MCSE27).....	37	810497 (MC265B).....	37, 43
809040 (BOM10405)	75	810501 (MC242L)	7
809090 (809090)	75	810504 (MC242R)	7
809091 (809091)	75	810509 (MC243L)	7
809092 (809092)	75	810512 (MC243R).....	7
809094 (BOM14405)	75	810523 (MC26W5L).....	43
809095 (NUTL14).....	75	810524 (MC26W5R)	37
809096 (809096)	75	810531 (MC2694).....	49
809098 (BOM14255)	75	810536 (MC2681).....	49
809470 (809470).....	11	810550 (BOC40095)	37, 39, 43
809586 (809586)	75	810553 (MCT111L).....	75
809600 (809600)	79	810555 (MCT111R).....	75
810138 (MCT12W1).....	79	810557 (MCT120)	75
810144 (MCT12W2).....	79	810559 (MCT11W9L).....	75
810149 (MCT12W3).....	79	810562 (MCT11W9R)	75
810155 (MCT1213).....	79	810566 (MCT12W5).....	75
810157 (MCT1214)	75	810581 (MB13W1).....	73
810158 (A66012).....	75	810584 (MB13W2)	73
810383 (MC13W4).....	11, 13	810621 (MC248M).....	69
810386 (MC135).....	13	810622 (MC248N)	69
810388 (MC27W2).....	19, 37, 39	810633 (MC248KR)	69
810392 (MC27W1).....	19, 43, 45	810636 (MC248KL)	69
810398 (MC23W2).....	55	810649 (NUTLP32)	55
810406 (MC234).....	55	810772 (MC213)	63
810407 (MC230L)	55	810773 (BORSS6-3208)	63
810408 (MC230R)	55	810787 (MC123)	11
810410 (MC23W7L).....	53	-(A66004)	3
810412 (MC23W7R)	53	-(A66013)	3
810416 (MC237C)	53	-(A66014).....	3
810418 (MC237D).....	53	801471r01 (MC217).....	55
810420 (MC240L)	55	801538r02 (MC235).....	55
810422 (MC240R)	55	801609r02 (MC770).....	21
810427 (MC275A)	19	801612r01 (MC771).....	21
810429 (MC275B).....	19	803716r02 (MC112)	11
810432 (MC2226L)	59	803730r01 (MC114).....	11
810435 (MC2226R).....	59	803732r01 (MC118L).....	11
810437 (MC23W3).....	19	803733r01 (MC114S).....	17
810446 (MC27W5).....	19	803734r01 (MC118R)	11
810473 (MC233A).....	19	803742r02 (MC11W1).....	11
810494 (MC26W3).....	63	803744r03 (MC11W2).....	13
810496 (MC265A).....	37, 43	803746r03 (MC11W3).....	11

Index - Stock Numbers

803748r01 (MC11W4)	11
803755r02 (MC12W1)	13
803760r01 (MC12W5).....	13
803780r02 (MC14W3).....	3
803851r01 (MC21W4L).....	55
803853r01 (MC21W4R)	55
803861r01 (MC21W6AL).....	3
803863r01 (MC21W6AR).....	3
803865r01 (MC21W7L).....	55
803867r01 (MC21W7R)	55
803927r01 (A66006).....	45
803929r01 (A66007).....	39
803938r01 (MC232M)	49
803941r01 (MC233M).....	49
803946r01 (MC237).....	55
803963r01 (MC23W8)	45
803966r02 (MC23W9)	49
803970r02 (MC241)	3
804035r01 (MC254A)	39, 45
804039r01 (MC255A)	39
804042r02 (MC255C)	13, 39
804044r02 (MC25W1L)	65
804049r01 (MC25W4)	39, 45
804050r02 (MC25W5)	39
804057r01 (MC31W1).....	5
804114r02 (MC760)	21
804115r03 (MC761)	21
804157r01 (A66003).....	3
807028r01 (MC77W2).....	39

Index - Drawing Numbers

Drawing Number (Stock Number)	Page Number		
800045 (800045)	11, 13	804109 (804109)	63
800048 (800048)	21, 37, 38, 42, 45	804110 (804110)	19
800159 (800159)	2, 17	804111 (804111)	55
800276 (800276)	17	804137 (804137)	3
800321 (800321)	74	804142 (804142)	25, 27, 63
800396 (800396)	2	804143 (804143)	63
800755 (800755)	63	804144 (804144)	63
800876 (800876)	21	804146 (804146)	63
800972 (800972)	25, 27	804147 (804147)	63
801081 (801081)	73	804148 (804148)	63
801082 (801082)	73	804149 (804149)	63
801682 (801682)	74	804150 (804150)	63
801714 (801714)	63	804151 (804151)	63
801818 (801818)	3, 69, 71, 73, 74	804152 (804152)	63
801820 (801820)	38, 45, 49, 55, 73, 74, 77	804153 (804153)	63
802474 (802474)	77	804154 (804154)	63
802482 (802482)	77	804155 (804155)	37, 39, 42, 45
802484 (802484)	77	804237 (804237)	13
802485 (802485)	77	804301 (804301)	19
802486 (802486)	77	804302 (804302)	65
802836 (802836)	77	806138 (806138)	27
803583 (803583)	38	806268 (806268)	25, 27
803585 (803585)	42	806269 (806269)	25, 27
803586 (803586)	13	807055 (807055)	49, 77
803587 (803587)	42	807355 (807355)	61
803622 (803622)	19	807402 (807402)	13
804059 (804059)	11	807403 (807403)	19
804061 (804061)	11, 13	807452 (807452)	59
804062 (804062)	11, 13	807546 (807546)	3
804064 (804064)	11, 13	807550 (807550)	19
804066 (804066)	11, 13	807558 (807558)	21, 37, 39, 42, 45, 49, 55
804067 (804067)	55	807559 (807559)	3
804078 (804078)	55	807581 (807581)	3
804090 (804090)	19	807685 (807685)	9
804099 (804099)	59, 77	807712 (807712)	65
804103 (804103)	59	807713 (807713)	65
804105 (804105)	59	807746 (807746)	25, 27
804106 (804106)	59	807747 (807747)	25, 27
804107 (804107)	63	807749 (807749)	25, 27
804108 (804108)	63	807750 (807750)	25
		807818 (807818)	25

Index - Drawing Numbers

807819 (807819).....	25, 27	808028 (808028).....	29
807820 (807820).....	25, 27	808029 (808029).....	31
807823 (807823).....	25	808030 (808030).....	29
807824 (807824).....	25	808031 (808031).....	31
807825 (807825).....	25, 27	808032 (808032).....	29
807826 (807826).....	27	808033 (808033).....	29
807835 (807835).....	25	808034 (808034).....	29
807836 (807836).....	25	808035 (808035).....	31
807837 (807837).....	25, 27	808036 (808036).....	31
807838 (807838).....	25	808037 (808037).....	31
807839 (807839).....	25, 27	808038 (808038).....	31
807841 (807841).....	25	808039 (808039).....	29
807843 (807843).....	27	808040 (808040).....	29
807847 (807847).....	25, 27	808041 (808041).....	29
807851 (807851).....	25, 27	808042 (808042).....	31
807852 (807852).....	25, 27	808043 (808043).....	29, 31
807853 (807853).....	25, 27	808044 (808044).....	21, 31
807866 (807866).....	21, 25, 27	808045 (808045).....	21, 29
807919 (807919).....	65	808046 (808046).....	21, 29
807964 (807964).....	29	808047 (808047).....	21, 31
807965 (807965).....	31	808048 (808048).....	31
807966 (807966).....	29, 33, 35	808049 (808049).....	29
807967 (807967).....	31	808050 (808050).....	29
807968 (807968).....	31	808051 (808051).....	31
807969 (807969).....	29, 33, 35	808052 (808052).....	31
807970 (807970).....	29, 31, 33, 35	808053 (808053).....	29
807971 (807971).....	31	808054 (808054).....	29
807972 (807972).....	29	808055 (808055).....	31
808015 (808015).....	31	808056 (808056).....	31
808016 (808016).....	29	808057 (808057).....	29
808017 (808017).....	31	808064 (808064).....	29, 31
808018 (808018).....	29	808065 (808065).....	35
808019 (808019).....	29	808066 (808066).....	35
808020 (808020).....	31	808067 (808067).....	33, 35
808021 (808021).....	31	808068 (808068).....	33
808022 (808022).....	29	808070 (808070).....	33
808023 (808023).....	31	808072 (808072).....	33
808024 (808024).....	29	808073 (808073).....	33
808025 (808025).....	29, 31	808074 (808074).....	33
808026 (808026).....	29, 31	808075 (808075).....	33
808027 (808027).....	31	808076 (808076).....	33

Index - Drawing Numbers

808077 (808077).....	33	BOC24035 (800061)	43
808078 (808078)	33	BOC24045 (800057)	3, 5, 37, 39
808107 (808107).....	21	BOC24055 (800059)	5, 19
808109 (808109).....	21, 37, 39, 43, 45	BOC28055 (800073)	19, 45, 55
808111 (808111).....	15	BOC28065 (800072)	55
808115 (808115).....	55	BOC32055 (800055)	43, 67
808123 (808123)	23	BOC32065 (800054)	37, 39, 43, 45, 59, 75
808128 (808128)	23	BOC32075 (807706).....	39, 45
808200 (808200).....	21, 37, 39, 41, 43, 45	BOC40065 (800064).....	19
808262 (808262).....	65	BOC40075 (807517).....	37, 39, 43, 45
808267 (808267).....	65	BOC40085 (800065).....	37, 39, 43, 45
808341 (808341).....	41	BOC40095 (810550)	37, 39, 43
808342 (808342)	41	BOC40105 (800066)	49
808355 (808355).....	11, 13	BOC40145 (800068)	37, 43
808476 (808476).....	3	BOM10405 (809040)	75
808522 (808522).....	37	BOM10505 (807784).....	21, 31
808545 (808545).....	75, 77	BOM12405 (808362)	37
808587 (808587)	55	BOM12505 (807791).....	21, 29
808623 (808623).....	63	BOM14255 (809098)	75
808716 (808716)	3	BOM14405 (809094)	75
808776 (808776)	21	BOM16405 (808363)	43
808816 (808816).....	3	BORSS6-3201 (803611).....	3
808965 (808965).....	43	BORSS6-3202 (803612).....	3
809090 (809090).....	75	BORSS6-3208 (810773).....	63
809091 (809091)	75	BOS16085 (800182)	75
809092 (809092).....	75	BOS16125 (808783).....	77
809096 (809096).....	75	BOS20035 (800209).....	3, 11, 13, 19, 65, 69, 71
809470 (809470).....	11	BOS20065 (800205)	19, 59
809586 (809586).....	75	BOS20085 (800206)	19
809600 (809600).....	79	BOS20085T (808343).....	41
79231-1 (802478).....	77	BOS20108 (800207).....	13
A66003 (804157r01).....	3	BOS24035 (803623)	13, 69, 71
A66004 -.....	3	BOS24045 (800195).....	11, 13, 25, 27, 67, 69, 71
A66005 (803947)	49	BOS24055 (800197).....	9, 11, 13, 19, 39, 45, 51, 69, 71
A66006 (803927r01).....	45	BOS24075 (800198).....	51
A66007 (803929r01).....	39	BOS24085T (808340)	41, 47
A66012 (810158).....	75	BOS24105 (800200).....	65
A66013 -.....	3	BOS28055 (803625)	3, 63
A66014 -.....	3	BOS28065 (800219)	3
BOC20035 (800062)	3, 7, 9, 19, 59, 65, 73	BOS32035 (800173).....	49
BOC20045 (807516).....	11, 13	BOS32045 (800164)	19, 41

Index - Drawing Numbers

BOS32055 (800166)	19, 37, 39, 43, 45, 75	KE2408 (803662)	21, 25, 27, 41, 47
BOS32065 (800165)	69, 73, 75	KE241605 (808344).....	41
BOS32075 (800167).....	53	KE242007 (808345).....	41
BOS32098 (808784)	75	MB123 (803676).....	73
BOS32105T (800170).....	37, 43	MB125 (808547).....	73
BOS32115T (808339)	41, 47	MB126 (803692)	73
BOS32145 (800174)	37, 75	MB127 (808546).....	73
BOS32165 (800176)	55	MB128 (808175).....	73
BOS40045 (800210)	43, 53	MB12W1 (803696)	73
BOS40065 (800211)	21	MB12W2 (803694).....	73
BOS40085 (800212)	13, 21, 37, 43	MB12W7 (808566).....	73
BOS40125 (800214).....	49	MB13W1 (810581).....	73
BOS40185 (800216).....	19	MB13W2 (810584)	73
BOS48065 (800189)	43	MC112 (803716r02)	11
BOS48085 (800190)	75	MC112W3 (807101).....	13
BOS48105 (800191).....	75	MC113 (803722).....	11
BOS64105T 800187)	37, 43	MC114 (803730r01)	11
BOSH16025 (807757)	55	MC114B (803729)	17
BOSH20065 (800225).....	69	MC114S (803733r01).....	17
BOSH20088 (800228).....	11	MC118L (803732r01).....	11
BOSH40045 (800231).....	3	MC118R (803734r01)	11
BOSQ24045 (800259).....	11, 13, 21	MC11W1 (803742r02).....	11
BOSQ24055 (807156)	21	MC11W2 (803744r03).....	13
DC0059 (808626).....	81	MC11W3 (803746r03).....	11
DC0060 (808625).....	81	MC11W4 (803748r01)	11
DC0061 (801614).....	81	MC122 (807406)	11
DC0062 (801613)	81	MC123 (810787)	11
DC0063 (801620)	81	MC1253 (807472)	13
DC0064 (801619)	81	MC125A (807037).....	15
DC0065 (801625)	81	MC12W1 (803755r02)	13
DC0066 (801615)	81	MC12W5 (803760r01).....	13
DC0068 (801629)	81	MC12W6 (803761).....	15
DC0069 (801628)	81	MC1310 (808596)	11
DC0070 (801627)	81	MC1311 (803764).....	13
DC0071 (801618).....	81	MC1312 (803765).....	11
DC0072 (801617).....	81	MC133A (803766).....	13
DC0073 (808660)	81	MC133M (803767).....	11
DC0074 (801621).....	81	MC135 (810386).....	13
KE1605 (803660)	15	MC13W3 (803773).....	11
KE2404 (803661)	41	MC13W4 (810383).....	11, 13
KE2406 (807869)	11, 13	MC141L (807045)	5

Index - Drawing Numbers

MC141R (807047).....	5	MC228A (801518).....	53
MC14W3 (803780r02).....	3	MC22W1 (803904).....	39, 45
MC211 (803795).....	59	MC22W12 (803902).....	37
MC213 (810772).....	63	MC22W2 (803906).....	43
MC2120A (807884).....	39	MC22W3 (803908).....	39, 45, 53
MC2140 (808714).....	19	MC22W4L (803912).....	45
MC215C (803824).....	19	MC22W4R (803915).....	39
MC215E (803827).....	19	MC22W9 (803928).....	53
MC215F (803829).....	59	MC230L (810407).....	55
MC215G (807578).....	19	MC230R (810408).....	55
MC217 (801471r01).....	55	MC232 (803939).....	49
MC21W4L (803851r01).....	55	MC232M (803938r01).....	49
MC21W4R (803853r01).....	55	MC233A (810473).....	19
MC21W5C (803855).....	19	MC233M (803941r01).....	49
MC21W5D (803857).....	19	MC234 (810406).....	55
MC21W6AL (803861r01).....	3	MC235 (801538r02).....	55
MC21W6AR (803863r01).....	3	MC237 (803946r01).....	55
MC21W7L (803865r01).....	55	MC237A (807000).....	55
MC21W7R (803867r01).....	55	MC237C (810416).....	53
MC21W8 (803869).....	19	MC237D (810418).....	53
MC21W9 (803871).....	55	MC238A (803950).....	51
MC221 (801481).....	39, 45	MC238C (803951).....	49
MC221A (801484).....	37, 43	MC238L (803953).....	51
MC222 (803876).....	37	MC238R (803955).....	51
MC2225L (807639).....	59	MC23W2 (810398).....	55
MC2225R (807642).....	59	MC23W3 (810437).....	19
MC2226L (810432).....	59	MC23W4L (807032).....	43
MC2226R (810435).....	59	MC23W4R (807031).....	37
MC222A (803874).....	43	MC23W5 (803959).....	55
MC223 (803878).....	39, 45	MC23W7L (810410).....	53
MC2256L (807786).....	43	MC23W7R (810412).....	53
MC2256R (807788).....	37	MC23W8 (803963r01).....	45
MC225A (803884).....	37, 43, 53	MC23W8A (803962).....	49
MC225E (807052).....	37	MC23W9 (803966r02).....	49
MC225M (808530).....	37	MC240L (810420).....	55
MC226 (803895).....	39	MC240R (810422).....	55
MC226E (803892).....	43	MC241 (803970r02).....	3
MC226G (803894).....	43	MC241A (807043).....	9
MC226H (807461).....	43	MC241BR (807034).....	9
MC2271 (803897).....	21	MC241C (807035).....	9
MC227B (807041).....	21	MC242L (810501).....	7

Index - Drawing Numbers

MC242R (810504)	7	MC26W1L (807734).....	43
MC243L (810509)	7	MC26W1R (807738).....	37
MC243R (810512).....	7	MC26W3 (810494).....	63
MC247C (807729).....	71	MC26W5L (810523).....	43
MC248 (803998).....	69	MC26W5R (810524)	37
MC248C (803994)	9, 39, 45, 69	MC275A (810427).....	19
MC248D (803996).....	69, 71	MC275B (810429).....	19
MC248KL (810636)	69	MC27W1 (810392).....	19, 43, 45
MC248KR (810633).....	69	MC27W2 (810388).....	19, 37, 39
MC248M (810621).....	69	MC27W5 (810446).....	19
MC248N (810622)	69	MC3116L (808682).....	3
MC24W1 (804000)	69	MC3116R (808678).....	3
MC24W1BL (807033)	9	MC3117 (808685).....	3
MC24W2 (804002)	69	MC3118 (808688)	3
MC24W7A (804010).....	71	MC3119 (808694)	3
MC24W7B (804012).....	71	MC3121 (808691).....	3
MC24W7D (807728)	71	MC31W1 (804057r01).....	5
MC24W7E (807726).....	71	MC512A (807890).....	21, 37, 39, 43, 45
MC24W8 (804026)	69	MC551 (804069).....	57
MC24W8A (804016).....	69	MC552 (804070).....	57
MC24W8B (804018)	69	MC553 (804071)	57
MC24W8CL (804020)	69	MC554 (807822).....	57
MC24W8CR (804022).....	69	MC555 (804073).....	57
MC24W8F (804025)	69	MC556 (807821).....	57
MC24W9 (804028)	69	MC557 (804075).....	57
MC2514 (807802).....	65	MC558 (804076).....	57
MC251A (804032).....	65	MC559 (804077).....	57
MC254A (804035r01)	39, 45	MC561 (804080).....	57
MC254B (804037)	39, 45	MC611 (804081).....	21
MC255A (804039r01)	39	MC611A (804082).....	21
MC255C (804042r02)	13, 39	MC612B (807562)	21
MC255D (807487).....	39	MC612C (807563).....	21
MC25W1L (804044r02)	65	MC615 (804087).....	21
MC25W1R (808381).....	65	MC616 (807565).....	21
MC25W2 (807591).....	37, 43	MC617A (807564).....	21
MC25W4 (804049r01)	39, 45	MC710 (807445).....	59
MC25W5 (804050r02)	39	MC711A (807633)	61
MC265A (810496).....	37, 43	MC711B (807356).....	61
MC265B (810497).....	37, 43	MC712A (807449)	59
MC2681 (810536).....	49	MC713A (807451).....	59
MC2694 (810531).....	49	MC718 (807705).....	59

Index - Drawing Numbers

MC71W1 (807635).....	61	MC837C (806943).....	47
MC71W2 (807634).....	61	MC838 (802917).....	41
MC720 (804101).....	59	MC839B (802922).....	15
MC721 (804102).....	59	MC854 (808718).....	3
MC723 (807513).....	21	MC855L (808720).....	3
MC726 (804106).....	65	MC855R (808719).....	3
MC745 (801732).....	65	MCSE27 (808966).....	37
MC750 (804113).....	11	MCSE38TR (804160).....	45
MC760 (804114r02).....	21	MCT111L (810553).....	75
MC761 (804115r03).....	21	MCT111R (810555).....	75
MC761A (807778).....	37, 43	MCT1122 (808174).....	75
MC761B (808357).....	23	MCT114 (808172).....	75
MC761C (808358).....	23	MCT115 (807861).....	75
MC761D (808359).....	23	MCT116 (807864).....	75
MC761E (808360).....	23	MCT117 (807859).....	75
MC76W1 (808352).....	23	MCT119 (807882).....	75
MC770 (801609r02).....	21	MCT11W1 (807876).....	75
MC770A (804116).....	41	MCT11W2 (807844).....	75
MC770D (807794).....	41	MCT11W3L (807828).....	67
MC771 (801612r01).....	21	MCT11W3R (807830).....	67
MC77W2 (807028r01).....	39	MCT11W4 (807854).....	75
MC811S (801169).....	41, 47	MCT11W5 (807879).....	77
MC812S (801171).....	15	MCT11W6 (807857).....	75
MC813C (806941).....	41	MCT11W9L (810559).....	75
MC814C (806940).....	41	MCT11W9R (810562).....	75
MC815S (801176).....	41	MCT120 (810557).....	75
MC816S (801177).....	41, 47	MCT1213 (810155).....	79
MC820C (806938).....	41	MCT1214 (810157).....	75
MC821C (806939).....	41	MCT12W1 (810138).....	79
MC822S (804232).....	41	MCT12W2 (810144).....	79
MC823S (804233).....	41	MCT12W3 (810149).....	79
MC824S (804234).....	47	MCT12W5 (810566).....	75
MC825S (804235).....	47	MCT745 (808721).....	77
MC826S (804236).....	41	MCT746 (808722).....	77
MC827S (804238).....	15	NUTFLP40 (804187).....	49
MC828S (804239).....	15	NUTL10 (804189).....	21, 31
MC829B (807456).....	39	NUTL12 (807792).....	21, 29
MC829D (807457).....	39	NUTL14 (809095).....	75
MC832 (804134).....	15	NUTLP24 (806636).....	11, 39, 45
MC835A (802911).....	41	NUTLP32 (810649).....	55
MC836C (806942).....	41	NUTLP32FT (804190).....	11

Index - Drawing Numbers

NUTLP40 (807521).....	39
NUTS16 (800233)	65, 75, 77
NUTS20 (804194)	3, 7, 9, 11, 13, 19, 59, 65, 69, 73
NUTS24 (800236)	3, 5, 11, 13, 15, 19, 21,39, 43, 51, 65, 69, 71
NUTS28 (800240)	3, 19, 45, 55, 63
NUTS32 (804196)	37, 39, 43, 45, 59, 67, 69, 73, 75
NUTS40 (804198)	3, 13, 19, 37, 39, 43, 45
NUTS48 (804199)	75
NUTS6-32 (804191)	3
NUTS8-32 (800143)	63
NUTSJ64 (800133).....	37, 39, 43, 45, 53
WAF16M (808781)	75
WAF20M (807522)	3, 7, 9, 11, 13, 19, 69, 71, 73, 77
WAF24M (807523)	3, 9, 11, 15, 19, 65, 69, 71
WAF28M (807799)	3
WAF32 (804364)	75
WAF32M (807524)	37, 39, 43, 45, 69, 73
WAF40 (804365)	43
WAF40M (807525)	21, 49
WAL16 (808353)	15, 41, 65, 75, 77
WAL20 (807528)	7, 11, 13, 19, 41, 59, 65, 69, 71, 73
WAL24 (804366)	3, 55, 11, 13, 19, 39, 41,43, 47, 51, 67, 69, 71
WAL28 (806556)	3, 19, 45, 55, 63
WAL32 (804367)	19, 37, 39, 41, 43, 45,47, 49, 53, 59, 67, 69, 73, 75
WAL40 (804368)	3, 19, 21, 37, 39, 43, 45, 53,55
WAL48 (804369)	43, 75

LIMITED WARRANTY

Warranty service will be performed by AgLand Dealer authorized to sell the Macerator.

AGLAND WARRANTY

AgLand Industries Inc. manufactures the AgLand Macerator. AgLand Industries Inc. (Manufacturer) warrants each Macerator sold by it to be free of defects in material or workmanship under normal use and service. The sole obligation of the Manufacturer is limited to repairing or replacing, as the Manufacturer may elect, any part or parts that prove, in the Manufacturer's judgement, to be defective in material or workmanship within one year* after delivery to the original Retail Purchaser under normal farm use. The defective part or parts will be replaced or repaired only to the original Retail Purchaser. Warranty repair or replacement will be done at the location of the AgLand dealer who sold the Macerator. Defective parts must be returned to the Manufacturer or Dealer who sold the Macerator at the expense of the Retail Purchaser to be inspected by the Manufacturer. Purchaser must give written notice to the Dealer from whom the Macerator was purchased of any claimed defect and the Dealer will repair or replace the part or parts found to be defective.

**3 months after delivery when purchased by a commercial operator.*

Note: The sole remedy of the Purchaser for claim under this warranty is the repair or replacement of defective parts.

This warranty does not extend to the drive components or tires, which are made by other manufacturers and carry warranties from said manufacturers. There are no representations, warranties, or conditions, express or implied, statutory or otherwise, except those herein contained and no agreement collateral otherwise except those herein contained, and no agreement collateral hereto shall be binding upon either party unless in writing hereon or attached hereto, signed by the Purchaser and accepted by the Manufacturer at its head office.

SERVICE AND WARRANTY INFORMATION

The Manufacturer's liability under this warranty is limited to the repairing or replacing of parts only, and the Manufacturer shall in no event be liable to the Retail Purchaser for consequential damage or loss of profits sustained by it as a result of any defect in material or workmanship on any of the equipment covered by this warranty.

The Macerator is warranted for agricultural use only. This warranty does not cover claims resulting from any use for other than agricultural applications.

Altering, modifying or adding additional equipment which is not approved for installation on the Macerator by the Manufacturer will void this warranty.

All warranties are subject to legislation of the state or province in which the Macerator is sold.

Note: There are no warranties, express or implied, by the Manufacturer or its Dealer regarding the Macerator except the warranty against defects in the material or workmanship expressed herein. No person is authorized to bind the Manufacturer to any other warranty whatsoever.

The Manufacturer reserves the right at any time to make changes in the design, material, parts, or specifications of the Macerator without thereby becoming liable to make similar changes in equipment, machinery or parts previously manufactured.



AgLand Industries Inc.