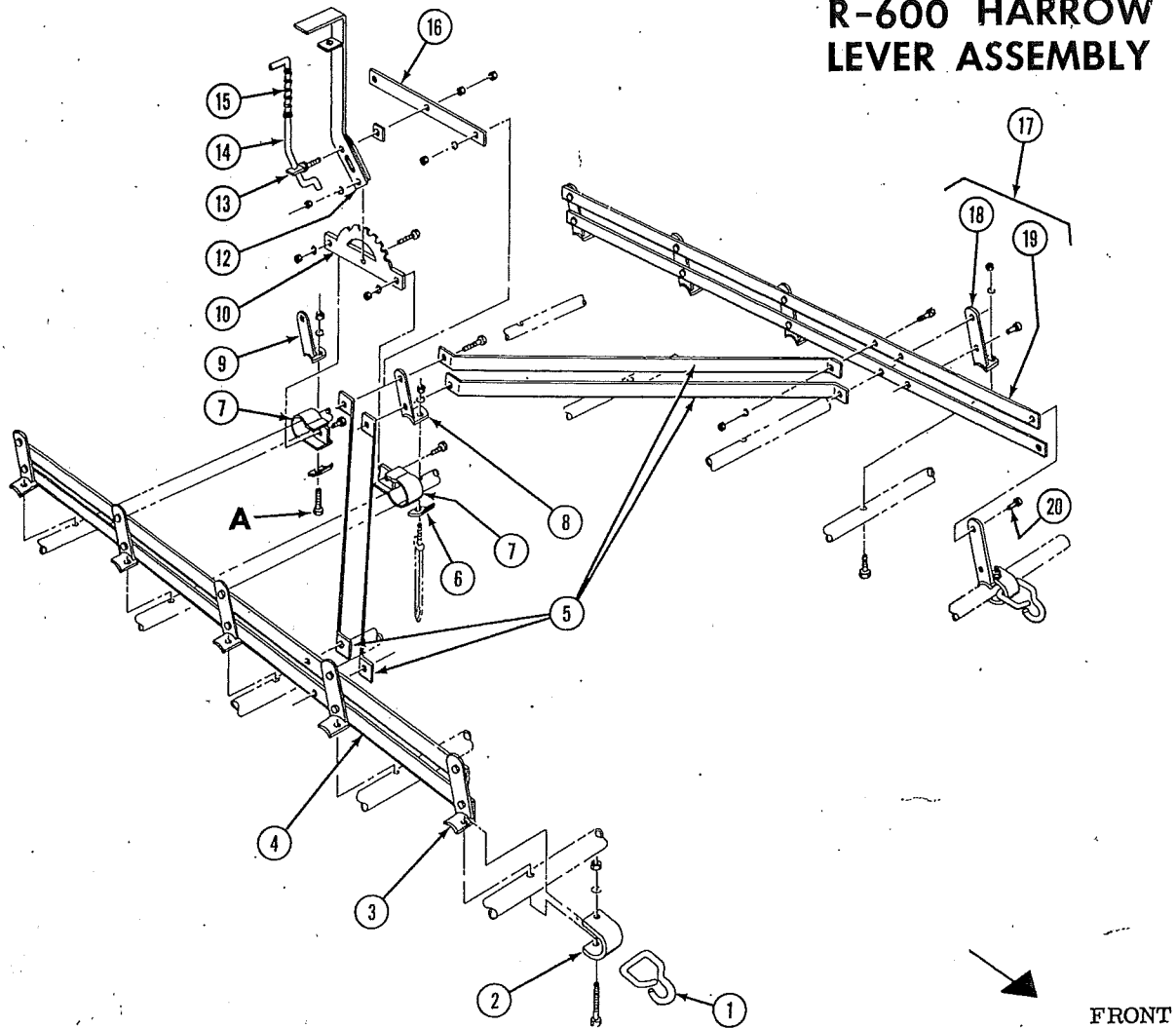


PEPIN HARROW

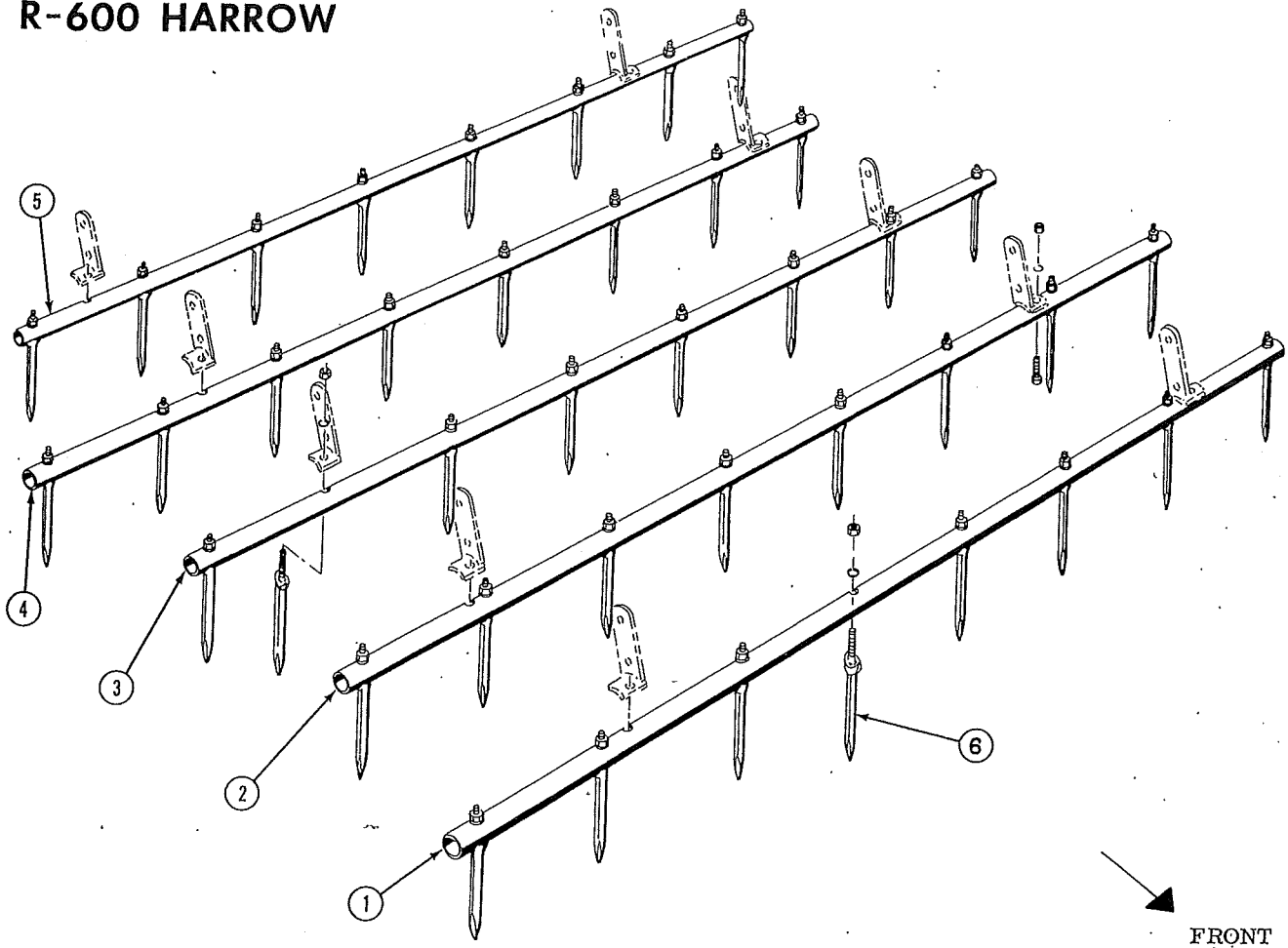
R-600 HARROW LEVER ASSEMBLY



REPAIR PARTS

Item	Description	Part Number
1	Draw hook	OE-20
2	Draw hook clevis	R-666
3	Standard, right, two-hole	PB-26A
4	Complete tilting bar, right	R-600-R
5	Angle brace	R-600
6	Bottom clip	R-777
7	Short channel	R-47
8	Standard, center, front left, two small holes	R-8
9	Standard, center rear, left, one-hole	R-24
10	Quadrant	R-9
11	Complete lever assembly	R-38-A
12	Lever	P-45
13	Bolt, plunger to lever	P-37
14	Plunger, lever	P-41A
15	Spring, lever	P-44
16	Center tilting bar link	R-5
17	Complete tilting bar, left	R-600-L
18	Standard, left, two-hole	PB24A
19	Tilting bar only	R-602
20	Rivet, shouldered, short	P-46

R-600 HARROW



REPAIR PARTS

Item	Description	Part Number
1	Pipe bar, front, drilled, painted, less teeth	R600-1
2	Pipe bar, second, drilled, painted, less teeth	R600-2
3	Pipe bar, center, drilled, painted, less teeth	R600-3
4	Pipe bar, fourth, drilled, painted, less teeth	R600-4
5	Pipe bar, rear, drilled, painted, less teeth	R600-5
6	Tooth, shouldered, 1 7/8" shank	FP95-3D

332-119

ASSEMBLY INSTRUCTIONS

Open the bundle and remove the bolt (A) from the center rear standard on the lever. Rotate the rear pipe bar to operating position, and secure in position with the same bolt. **MAKE SURE ALL CAP SCREWS, LOCK WASHERS AND NUTS ARE TIGHT!**