

# GP AUGER DRIVE CS-3



SINGLE SPEED DRIVE UNIT | PN 623012

use Pengo Aggressor® TriMax® Severe Rock Ripper® Augers

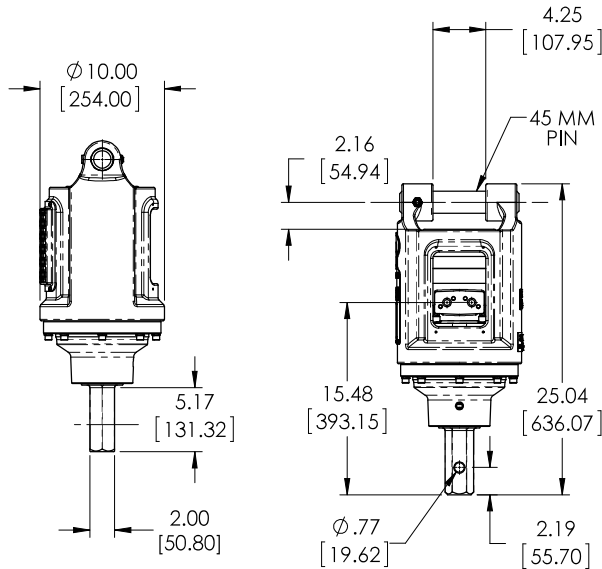
### REFERENCE SPEED CHART

Flow GPM (Liter)	RPM
15	51
20	68
25	85
30	103

### REFERENCE TORQUE CHART

Pressure (psi)	THEORETICAL Torque (ft/lb)
1200	1075
1400	1254
1600	1434
1800	1613
2000	1792
2200	1971
2400	2151
2600	2330
2800	2509
3000	2689

Speed and torque specifications are based on theoretical values and are provided for comparative purposes only.



### Does Not Require a Case Drain

Lightweight and compact

Protective Vents Allow for Hydraulic Motor Cooling



2" Hex Output Shaft

### 45MM Link Arm

LBS | 7

PN | 623064



### 45MM Pin

LBS | 1

PN | 620024



## MOUNT for CS-3

This CS-3 Drive and Mount are sold as a unit. Couple your Aggressor®, TriMax® or Severe Rock Ripper® with this unit for a complete General Purpose drive package.



### CS-3 Drive and Mount

LBS | 300

PN | 623068

### HYDRAULIC MOTOR INFORMATION

Displacement	18.3 cu/in (300cc)
Motor Type	Single Speed 8-Directional
Motor Output Shaft	1 1/4" Spline 14T
Motor Mount	SAE - A 2 Bolt
Motor Ports	7/8-14 UNF-2B O-Ring

### PLANETARY GEARBOX INFORMATION

Gearbox Type	Planetary Single Stage
Reduction Ratio	3.69:1
Output Shaft	2" Hex
Internal Oil Capacity	25 oz.

### GENERAL INFORMATION

Min/Max Flow (gpm)	5/30
Max Pressure (psi)	3000
Max Dia. Auger Bit	36"
Weight	130 lbs.