

NOTE A

SHIM WASHERS PART NUMBER 4687
ALLOW END FLOAT ADJUSTMENT

NUMBER USED VARIABLE
(USUALLY 2 REQUIRED)

US

CHECK DATE	1	2	3	4	5	6	7

TITLE
**Micromax 3 speed
US version**

MATL.			
SCALE (ON A4) NTS	DWN. MQC	DATE 22/12/99	PART No.

MICRON SPRAYERS LTD
 BROMYARD INDUSTRIAL ESTATE
 BROMYARD
 HEREFORDSHIRE HR7 4HS
 UNITED KINGDOM

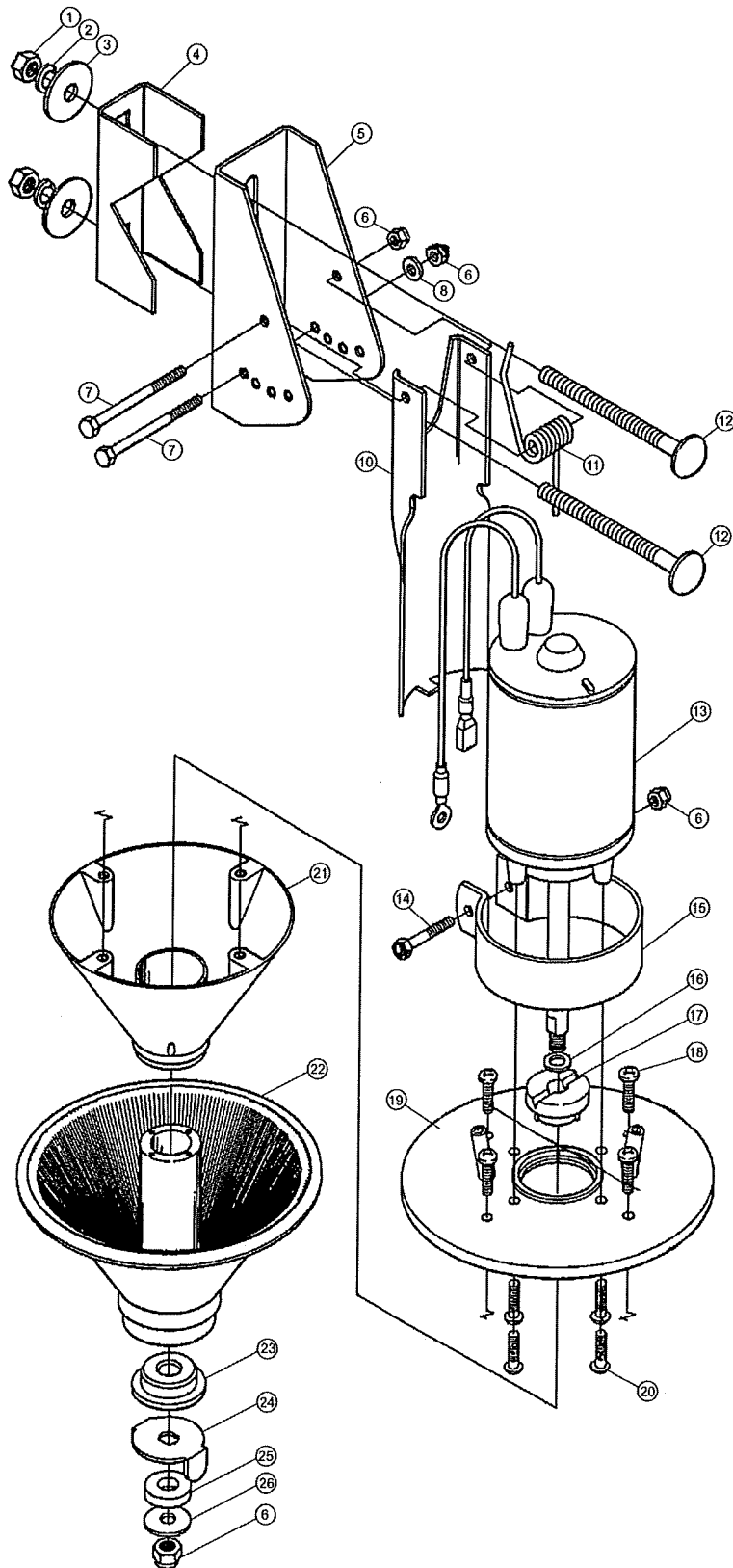
Tel: +44 (0) 1885 482397
 Fax: +44 (0) 1885 483043
 E-Mail: micron@micron.co.uk

PASSED:
DATE:

ALL DIMENSIONS IN MILLIMETRES	
DO NOT SCALE	UNSPECIFIED TOLERANCES: 0 --- ±0.5 0.0 --- ±0.1 0.00 --- ±0.02

PARTS LIST & DIAGRAM FOR MICROMAX DR4

GSP 27.4.98



Item No.	Description	Part No.	Qty.
1	Nut, 5/16" UNC, plain	5868	2
2	Washer, 5/16", spring	5869	2
3	Washer, 5/16" id x 1" od, plain (fender)	5870	2
4	Insert (DR4 pipe clamp)	5871	1
5	Bracket, position, coated (DR4)	5855	1
6	Nut, 10-32 UNF, nyloc	5872	4
7	Bolt, 10-32 UNF x 2-1/8" long (ANC-21A)	5873	2
8	Washer, M5 flat	5682	2
10	Cradle arm, coated (DR4)	5874	1
11	Spring, torsion	5875	1
12	Bolt, 5/16" UNC x 3-1/4" long, carriage	5876	2
13	Motor, SPN 990-001 (DR4)	5851	1
14	Screw, 10-32 UNF x 1", hex head	5877	1
15	Cradle clamp, coated (DR4)	5878	1
16	Bearing spacer, inner, black	4857	1
17	Upper drive brushing	5428	1
18	Screw, No.8 x 5/8", S/T, pozi pan/head, AB	5429	4
19	Mount plate with hose barb	5879	1
20	Screw, 10-32 UNF x 5/8", pan/head	5348	4
21	Inner cup (DR4)	5880	1
22	Atomiser disc	5427	1
23	Lower drive brushing	5507	1
24	Washer, drive	5431	1
25	Washer, 20mm od x 7.5mm id x 5.3mm thick, rubber	5854	1
26	Washer, 3/16" id x 3/4" od x 18 SWG	5430	1