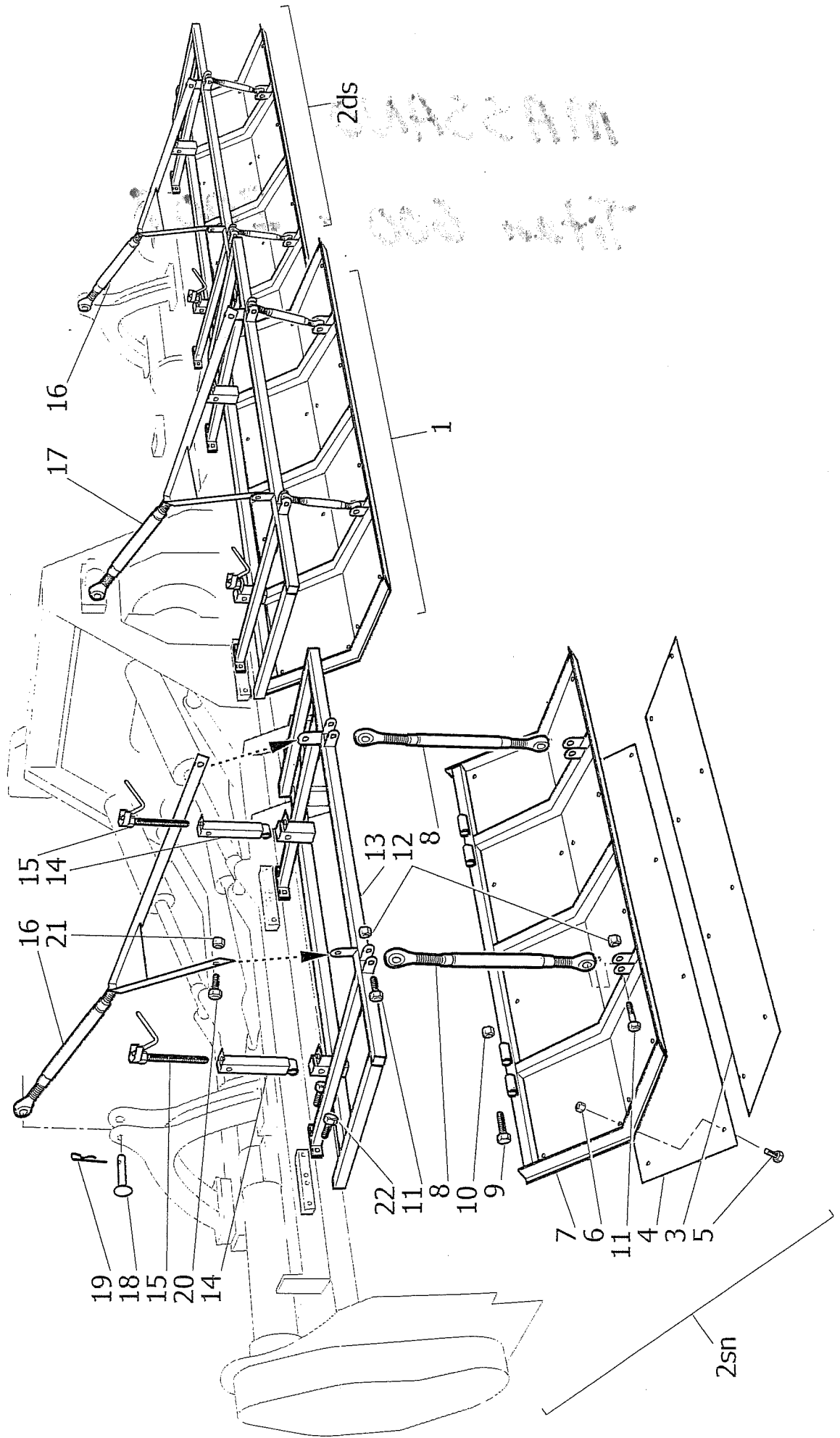


MASSANO

Titan 600 - 2007

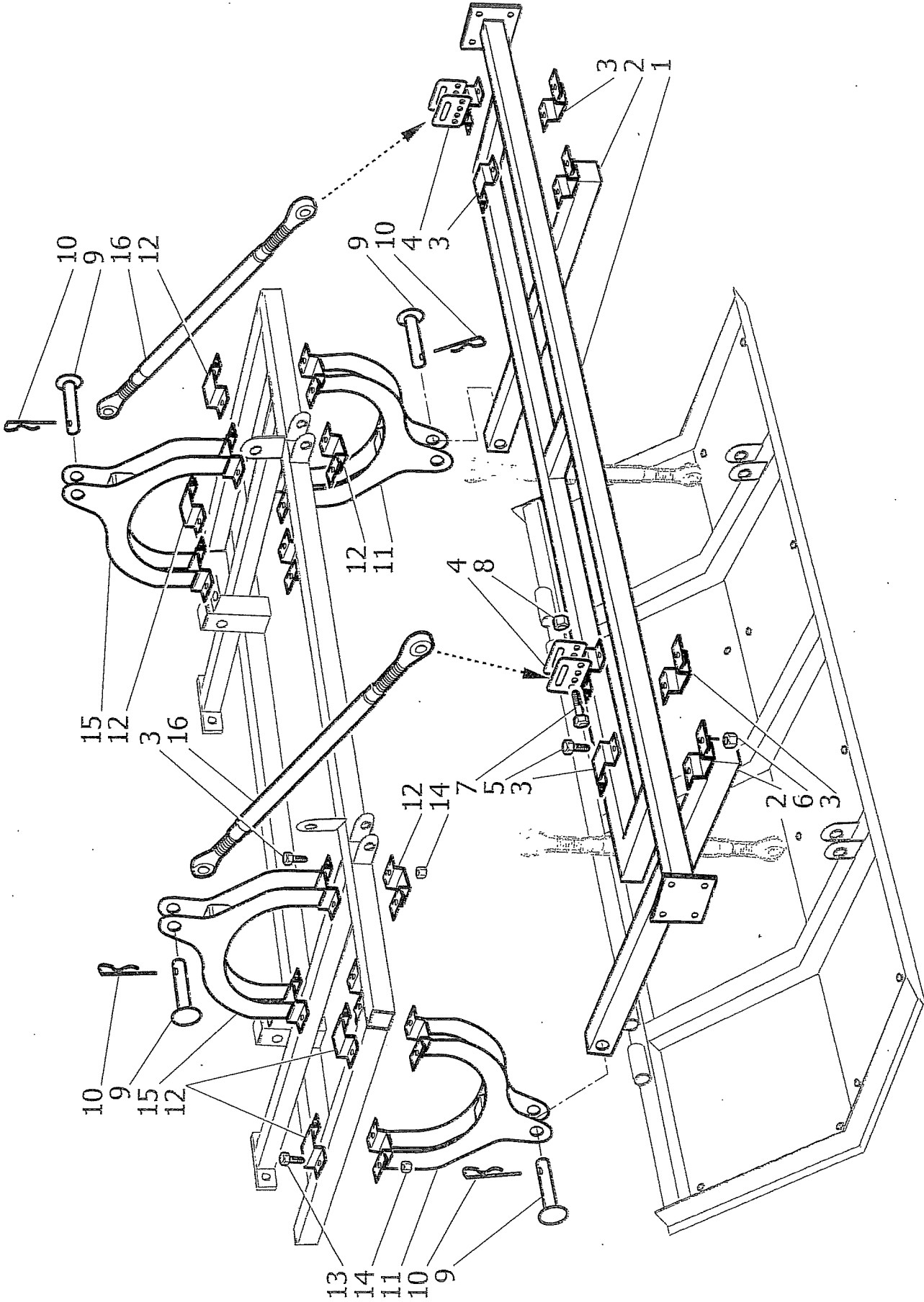
Titan 600 - 2007



BED SHAPERS

| Line # | Part # | Description |
|--------|-----------|-----------------|
| 3 | T60020 | VHMW Plastic |
| | T60020IPX | IPXVHMW Plastic |
| 8 | T60018 | Turnbuckle |

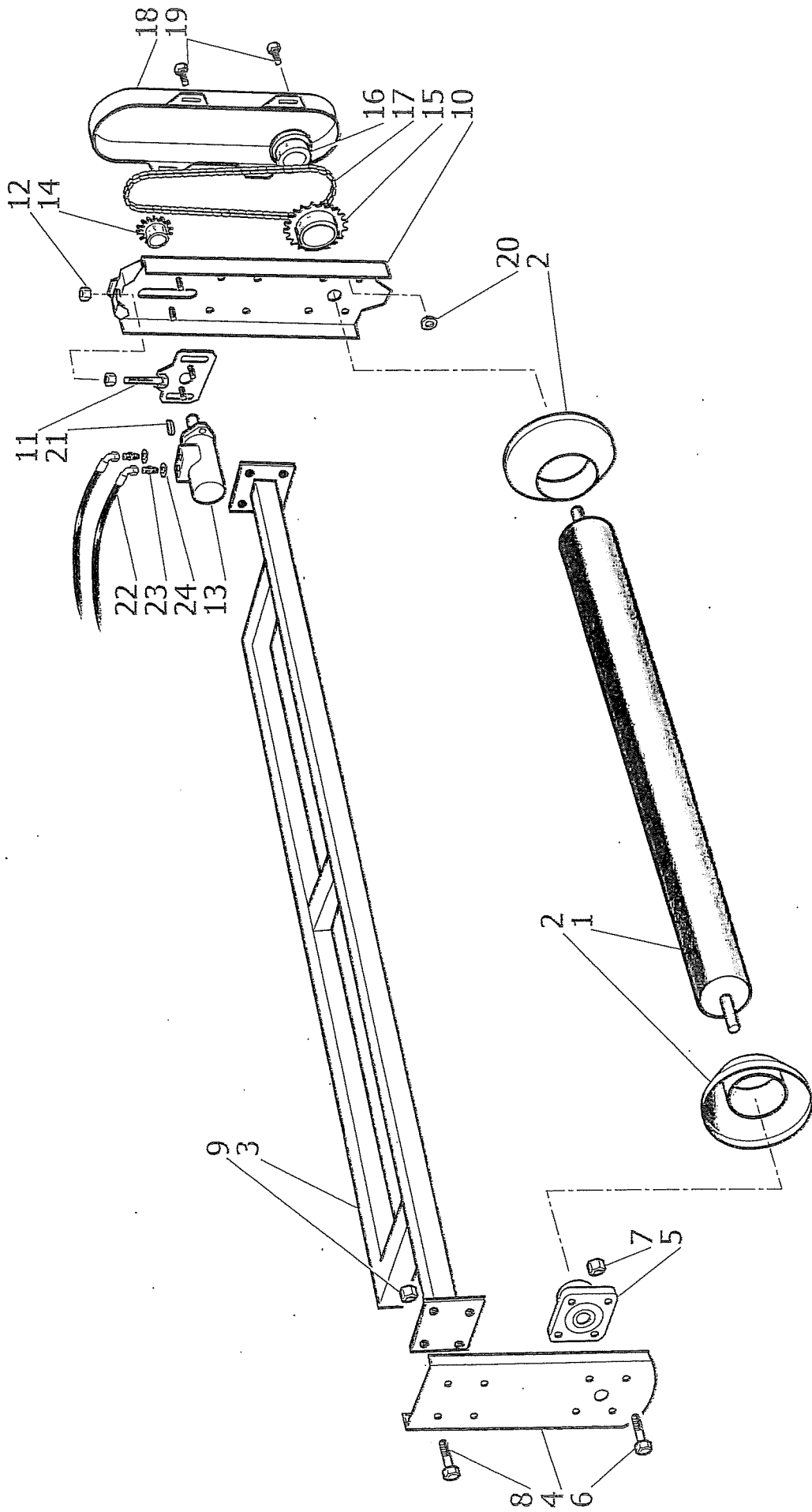
Titan 600 - 2007



BED SHAPER SUPPORT

| Line # | Part # | Description |
|--------|--------|-------------|
| 9 | T60030 | Pin |

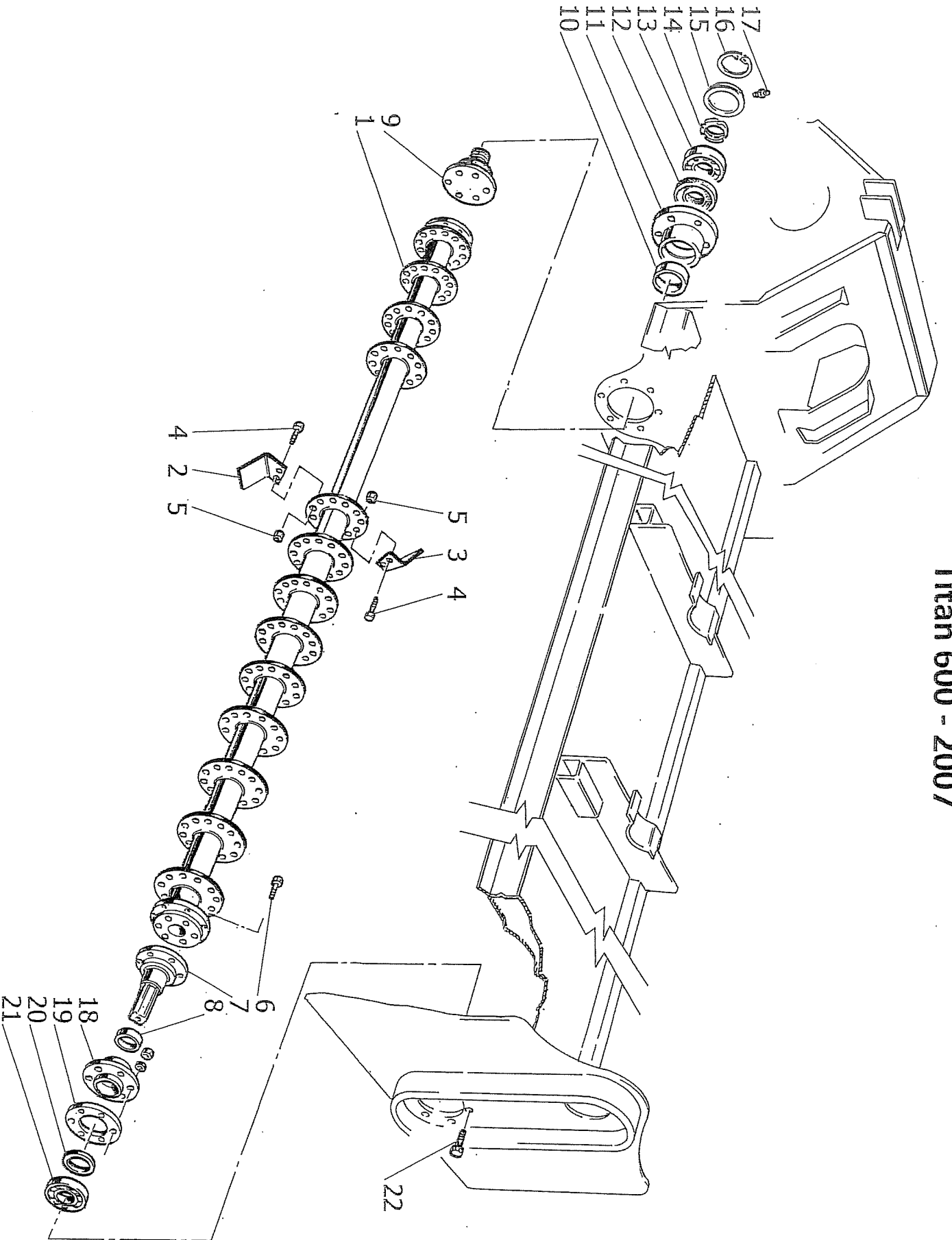
Titan 600 - 2007



HYDRAULIC ROLLER

| Line # | Part # | Description |
|-----------|--------|---------------------------|
| 5 | T6007 | Bearing VCF208 |
| 13 | T60012 | Motor, Hyd. |
| 17 | T60013 | Chain, # 16B x 54 Pitches |
| Not Shown | T60015 | Block, Hyd. Motor |

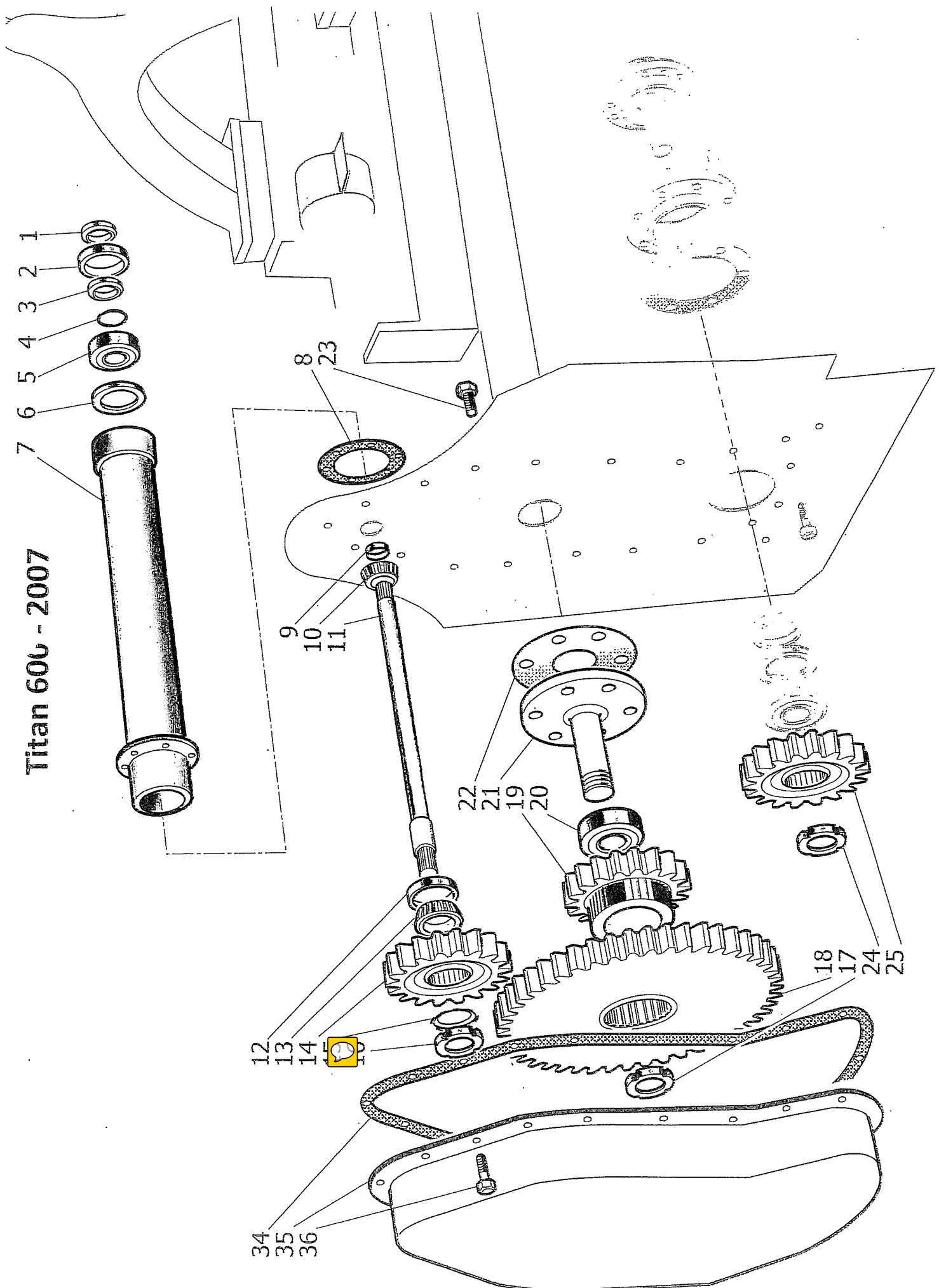
Titan 600 - 2007



ROTOR

| Line # | Part # | Description |
|--------|------------|-------------------------------------|
| 1 | T600352007 | Rotor, for Machines 2007 or Earlier |
| | T600352008 | Rotor, for Machines 2008 or Later |
| 2 | 633/72LH | Blade, Left Hand, Durafaced (75) |
| 3 | 633/72RH | Blade, Right Hand, Durafaced (75) |
| 4 & 5 | 16x45 BOLT | Blade Bolt w/ Nut <i>FAL 245070</i> |
| 7 | T6002 | Stud Shaft, Outer |
| 8 | T6008 | Wear Sleeve |
| 9 | T600F2 | Stub Shaft, Inner-Folding Model |
| | T600R2 | Stub Shaft, Inner-Rigid Model |
| 10 | T6008 | Wear Sleeve |
| 11 | T600F1 | Bearing Hsg, Inner-Folding Model |
| | T600R1 | Bearing Hsg, Inner-Rigid Model |
| 12 | T6009 | Seal, 85 x 110 x 12 |
| 13 | T6005 | Bearing, 21312 |
| 14 | T60033 | Nut <i>M55 x 2.0</i> |
| 15 | T60032 | Cover, w/ Fitting |
| 16 | T60031 | Snap Ring |
| 18 | T60014 | Bearing Hsg, Outer |
| 20 | T6009 | Seal, 85 x 110 x 12 |
| 21 | T6004 | Bearing, 22312 |

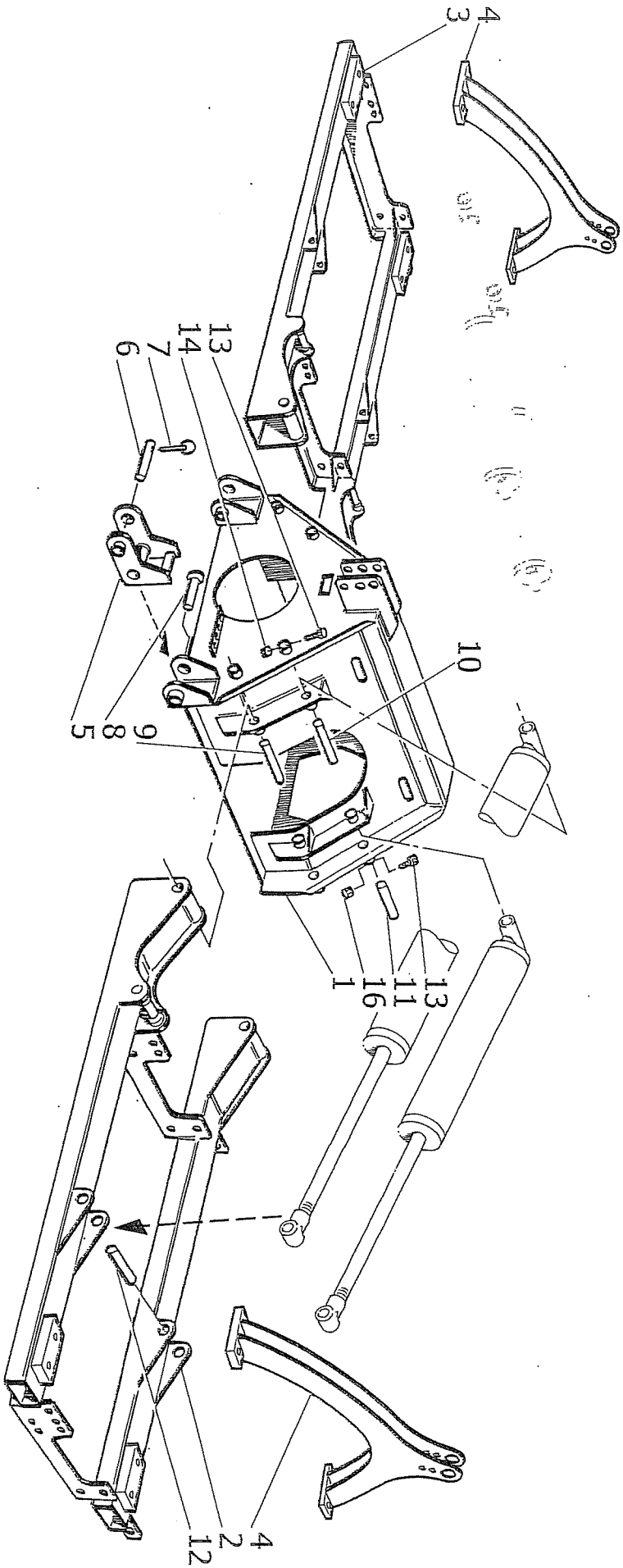
Titan 600 - 2007



END DRIVE & JACKSHAFT

| Line # | Part # | Description |
|-----------|----------|------------------------------------|
| 1 | T600120 | Nut |
| 2 | T600121 | Wear Sleeve |
| 3 | T600122 | Seal, 63 x 90 x 10 |
| 4 | T600123 | O-Ring |
| 5 | T6006 | Bearing, 33211 |
| 6 | T600122 | Seal, 63 x 90 x 10 |
| 8 | T600117 | Gasket |
| 9 | ? | Spacer |
| 10 | See # 5. | Bearing, 33211 |
| 11 | T6003 | Jackshaft |
| 12 & 13 | T6006 | Bearing, 33211 |
| 14 | T6001A | Top Gear, 18T |
| 18 | T6001B | Large Intermediate Gear, 48T |
| 19 | T6001C | Small Intermediate Gear, 27T |
| 20 | T6006 | Bearing, 33211 |
| 21 | T600108 | Hub |
| 22 | T600109 | Gasket |
| 25 | T6001D | Bottom Gear, 32T |
| 34 | T60010 | Gasket |
| Not Shown | T6001 | Gear Set (Incl. # 14, 18, 19 & 25) |

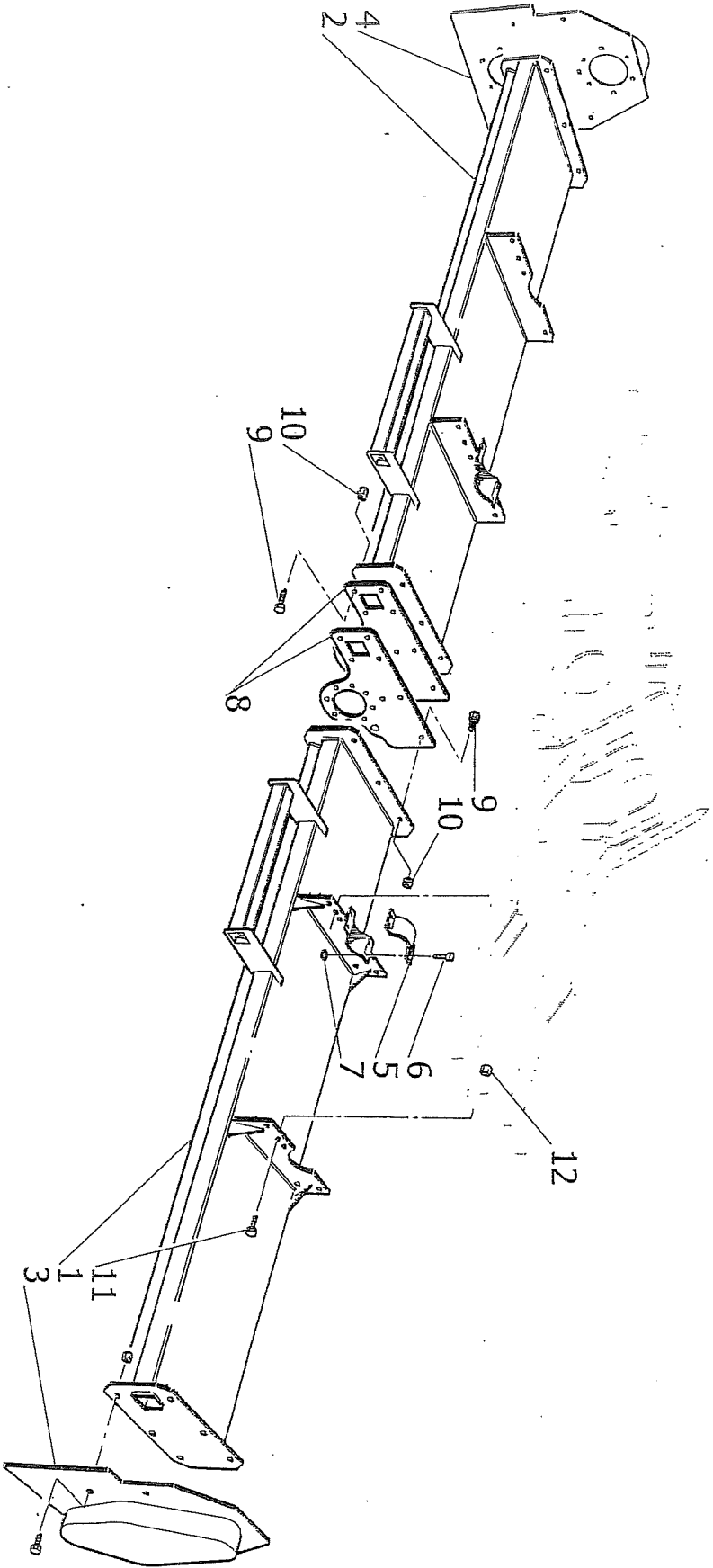
Titan 600 - 2007



MAIN FRAME - FOLDING

| Line # | Part # | Description |
|--------|--------|-------------|
|--------|--------|-------------|

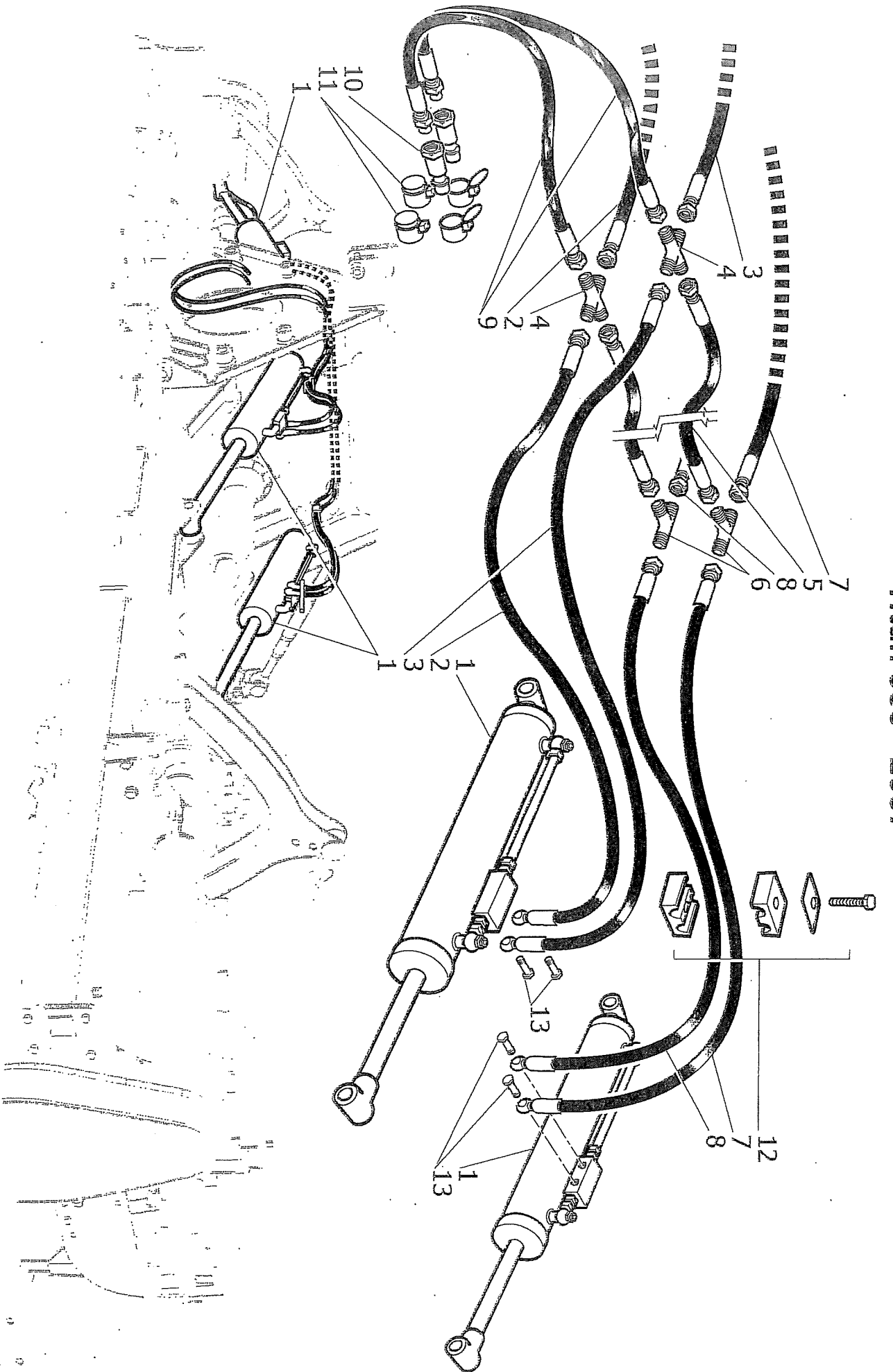
Titan 600 - 2007



MAIN FRAME - RIGID

| Line # | Part # | Description |
|--------|--------|-------------|
|--------|--------|-------------|

Titan 6-J - 2007

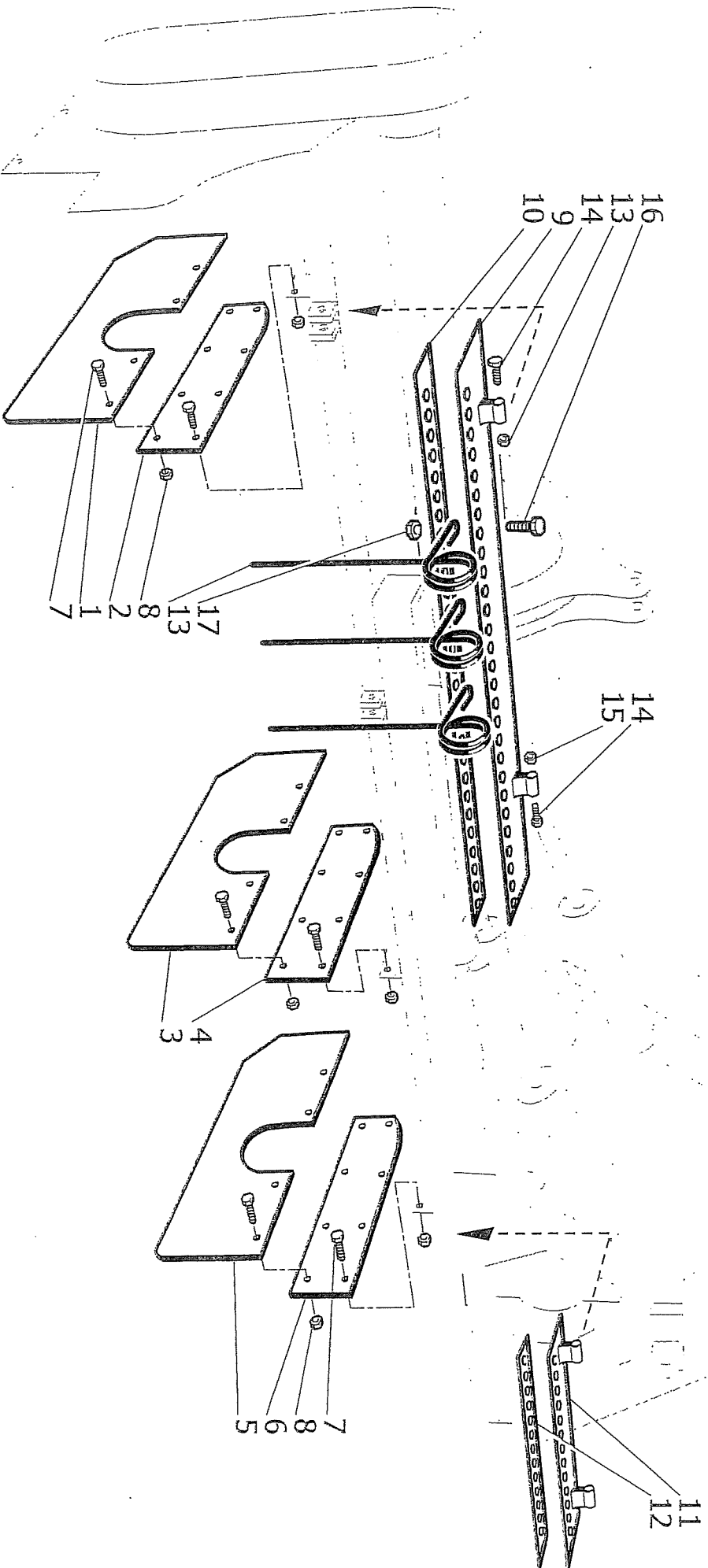


HYDRAULIC CYLINDERS

| Line # | Part # | Description |
|-------------|---------|-------------------------------------|
| 1 | T600F12 | Cylinder, Hyd. |
| 2, 3, 7 & 8 | T600F3 | Hose, 42" OA |
| 4 | | Fitting 1/4" Not All Sides |
| 5 | T600F4 | Hose, 24" OA, 1/4 NPT Female Swivel |
| 6 | | Tee, 1/4" NPT |
| 7 | see # 2 | |
| 8 | see # 2 | |
| 9 | T600F5 | Hose, 60" OA, 1/4" NPT x 1/2" NPT |

seal kit T600133

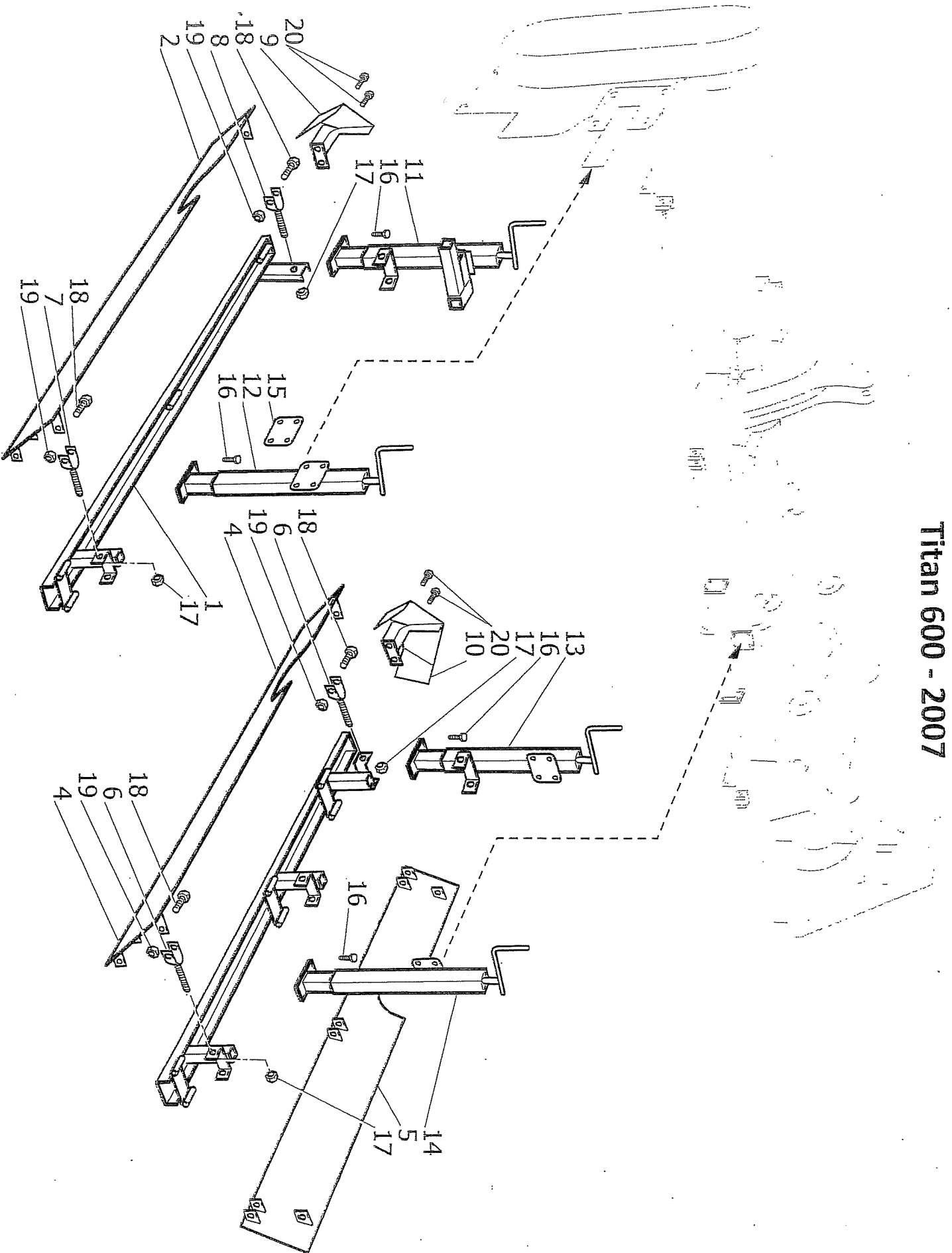
Titan 600 - 2007



SPRING TINES & SHIELDS

| Line # | Part # | Description |
|-----------|--------|------------------------------|
| 13 | T60011 | Spring Tine (150) |
| Not Shown | T60019 | Turnbuckle, Spring Tine adj. |

Titan 600 - 2007

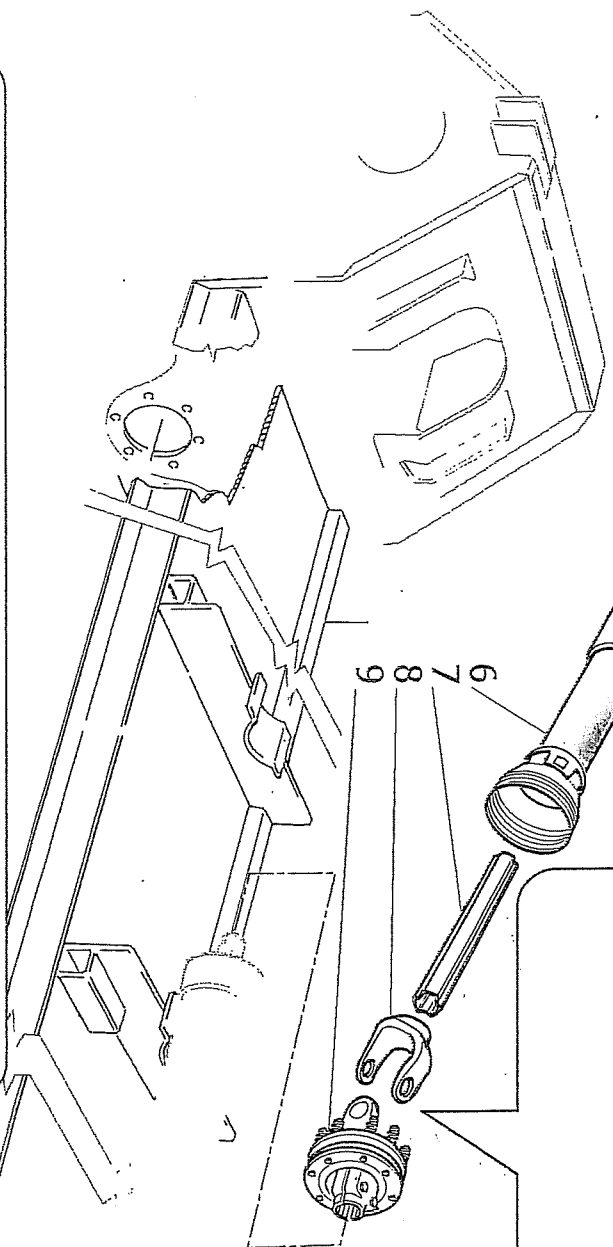
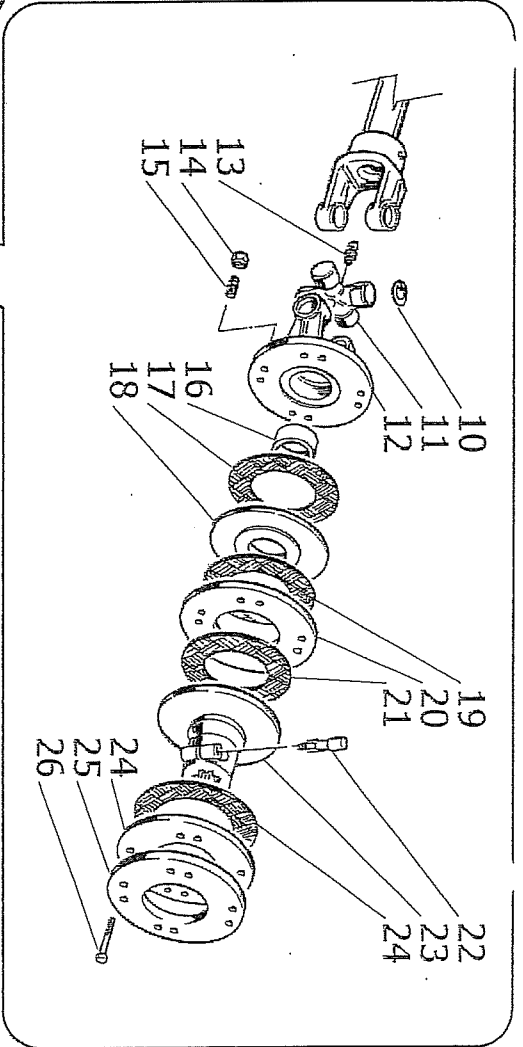
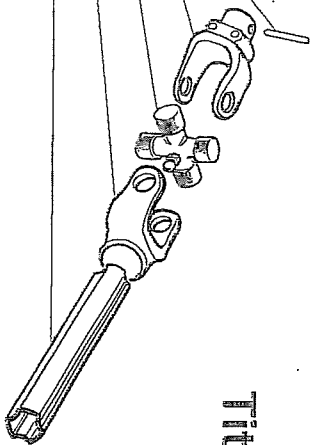


PONTOONS

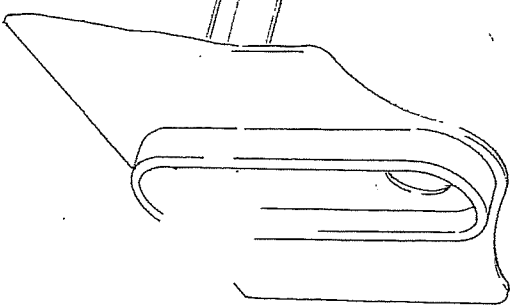
| Line # | Part # | Description |
|----------|--------|-------------------------|
| 2 & 4 | T60025 | Pontoon Side, LH |
| 5 | T60026 | Pontoon Side, RH |
| 6, 7 & 8 | T60027 | Clevis, Short, 80" Beds |
| | T60028 | Clevis, Short, 84" Beds |
| 10 | T60023 | Nose, Pontoon, 80" Beds |
| | T60024 | Nose, Pontoon, 84" Beds |
| 11 | T60034 | Jack, Center Pontoons |

Titan 600 - 2007

- 1
- 2
- 3
- 4
- 5



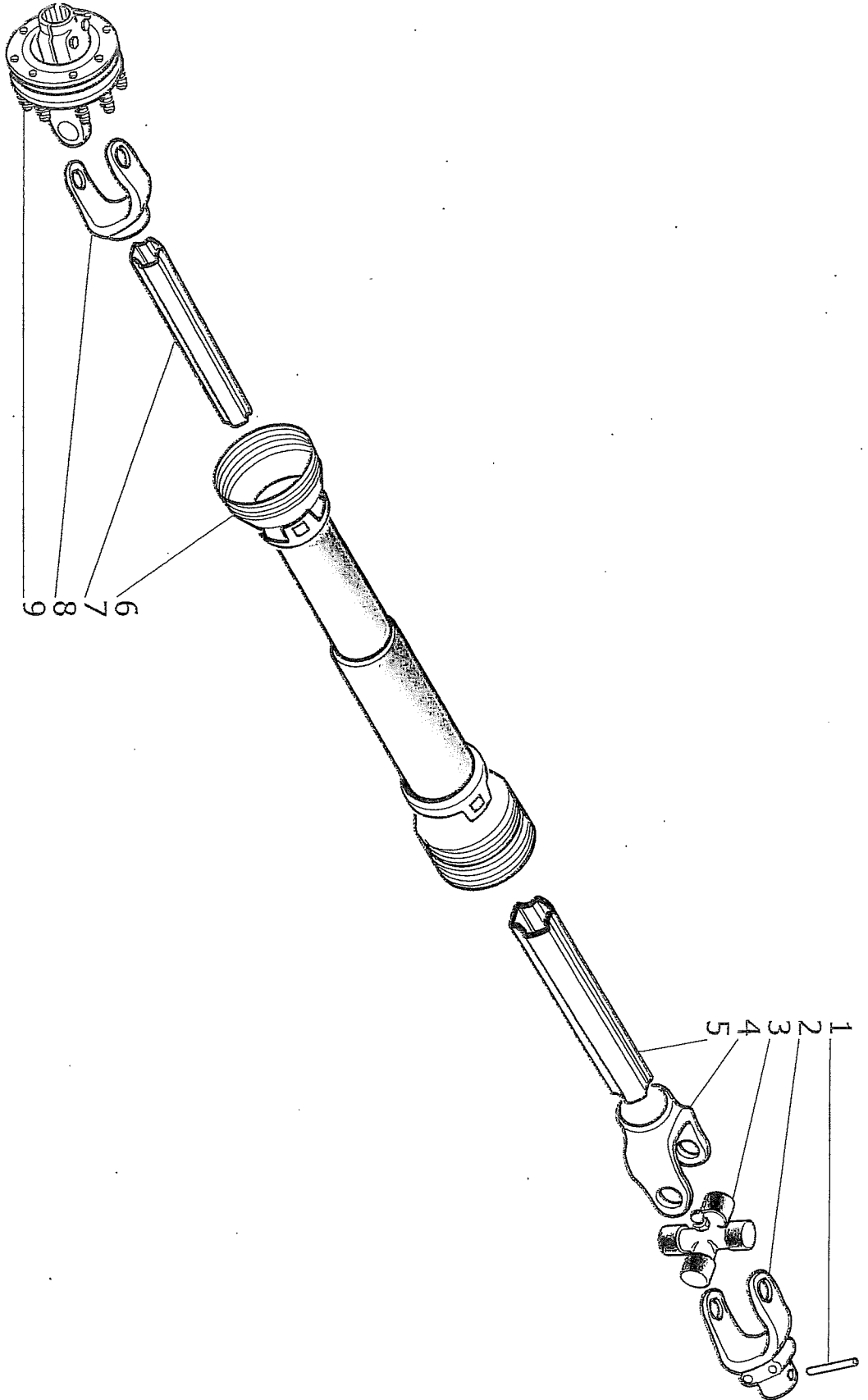
| | | | |
|---------------------------------|----------------------------------|---------------------------------|----------------------------------|
| A | B | C | D |
| | | | |
| $1'' \text{ } 3/8 \text{ } Z=6$ | $1'' \text{ } 3/8 \text{ } Z=21$ | $1'' \text{ } 3/4 \text{ } Z=6$ | $1'' \text{ } 3/4 \text{ } Z=20$ |



PTO SHAFT - SIDE DRIVE

| Line # | Part # | Description |
|---------|--------------|-------------------------------------|
| 1 - 9 | YE1891010280 | PTO Comp., Side Drive |
| 2 | 1028025 | Yoke 1 2/3, 20 Spline - #8 |
| 3 & 11 | 1008020 | Cross Kit - #8 <i>B&P 41208</i> |
| 4 | 1708067 | Yoke, Female Tube |
| 5 | 1818080 | Tube, Female |
| 6 | PM80 | Shield, Complete |
| 7 | 1817080 | Tube, Male |
| 8 | 1708069 | Yoke, Male Tube |
| 9 | 1448034 | Clutch Assy. 1 3/4 20 Spline |
| 12 | 1708006 | Yoke, Flange |
| 14 & 26 | 6691010 | Bolt w/ Nut |
| 15 | 1215012 | Spring |
| 16 | 1705009 | Bushing |
| 17 | 1808010 | Disc, Friction (4) |
| 18 | 1708034 | Disc |
| 19 | see # 17 | |
| 20 | 1138008 | Plate |
| 21 | See # 17 | |
| 22 | 6761480 | Bolt, Complete |
| 23 | 1706313 | Hub, 1 3/4 20 Spline |
| 24 | see # 20 | |
| 25 | 1138007 | Plate, Pressure |

Titan 600 - 2007



SIZE 10 - 1 3/4-20 4 disc clutch

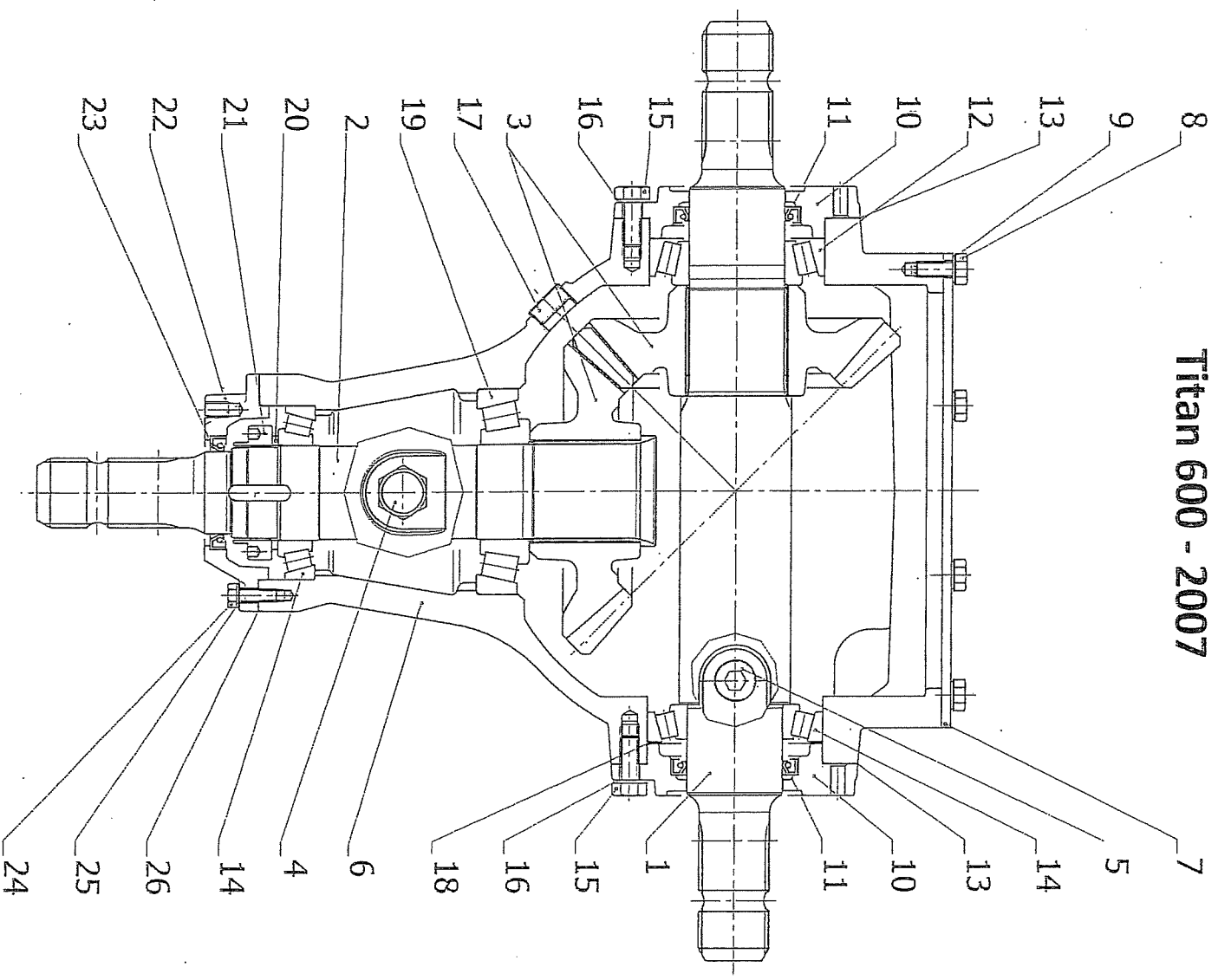
Euro Cardan

1 3/4-20 spline hub
PTO - MAIN

025 1440034

| Line # | Part # | Description |
|--------|-------------|--|
| 1 - 9 | YE107101020 | PTO Complete, Tractor, 1 3/4 20 Spline |
| 2 | 1020025 | Yoke, Tractor End, 1 3/4 20 Spline |
| 3 | 1000020 | Cross Kit # 10 B&P 41210 |
| 4 | 1700067 | Yoke, Female Tube |
| 5 | 1810049 | Tube, Female 710mm (28in) |
| 6 | PM80 | Shield, Complete |
| 7 | 1819049 | Tube, Male 710mm (28in.) |
| 8 | 1700069 | Yoke, Male Tube (|
| 9 | 1440034 | Clutch, Complete |

Titan 600 - 2007



CENTRAL GEARBOX

| Line # | Part # | Description |
|--------|--------|-------------------|
| 1 - 26 | T60029 | Gearbox, Complete |

#11 355011060 seal 60x80x10

#23 355005052 seal 52x72x10

