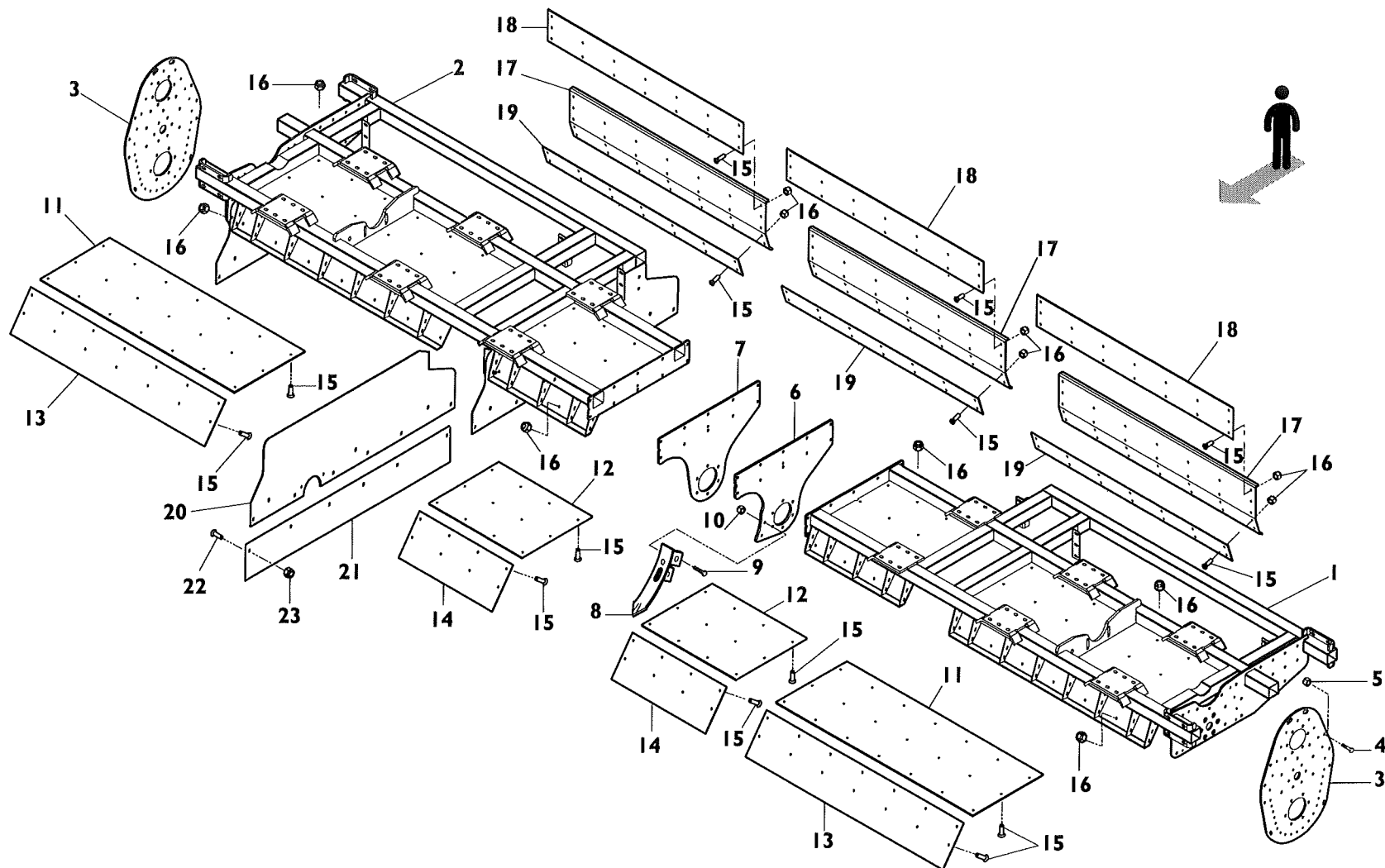
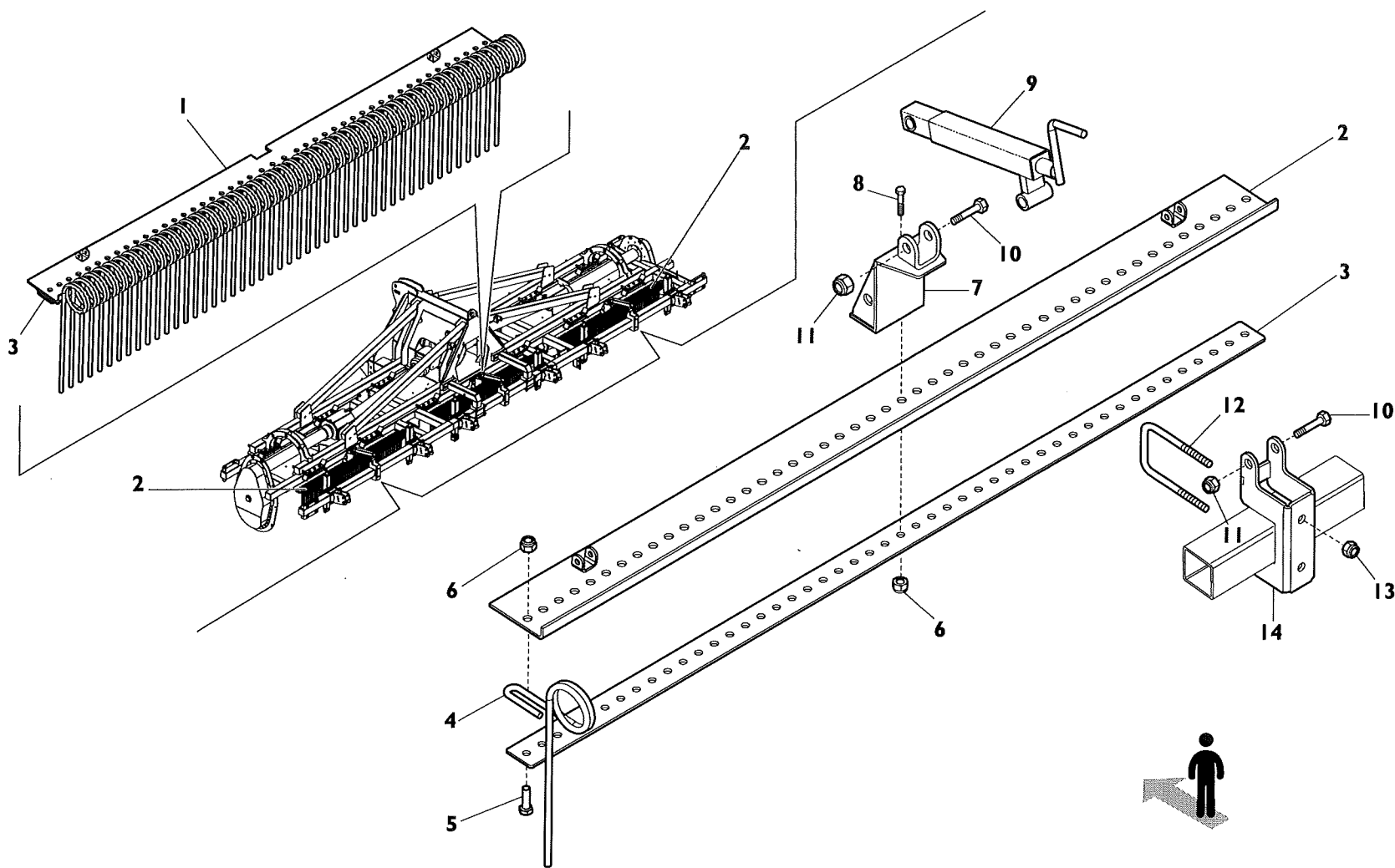




Tav. 01

RIF.	CODE
1	S0.0101.3x80
2	S0.0102.3x80
3	S0.0103.3x80
4	S0.0104.3x80
5	S0.0105.3x80
6	S0.0106.3x80
7	S0.0107.3x80
8	S0.0108.3x80
9	S0.0109.3x80
10	S0.0110.3x80
11	S0.0111.3x80
12	S0.0112.3x80
13	S0.0113.3x80
14	S0.0114.3x80
15	S0.0115.3x80
16	S0.0116.3x80
17	S0.0117.3x80
18	S0.0118.3x80
19	S0.0119.3x80
20	S0.0120.3x80
21	S0.0121.3x80
22	S0.0122.3x80
23	S0.0123.3x80
24	S0.0124.3x80

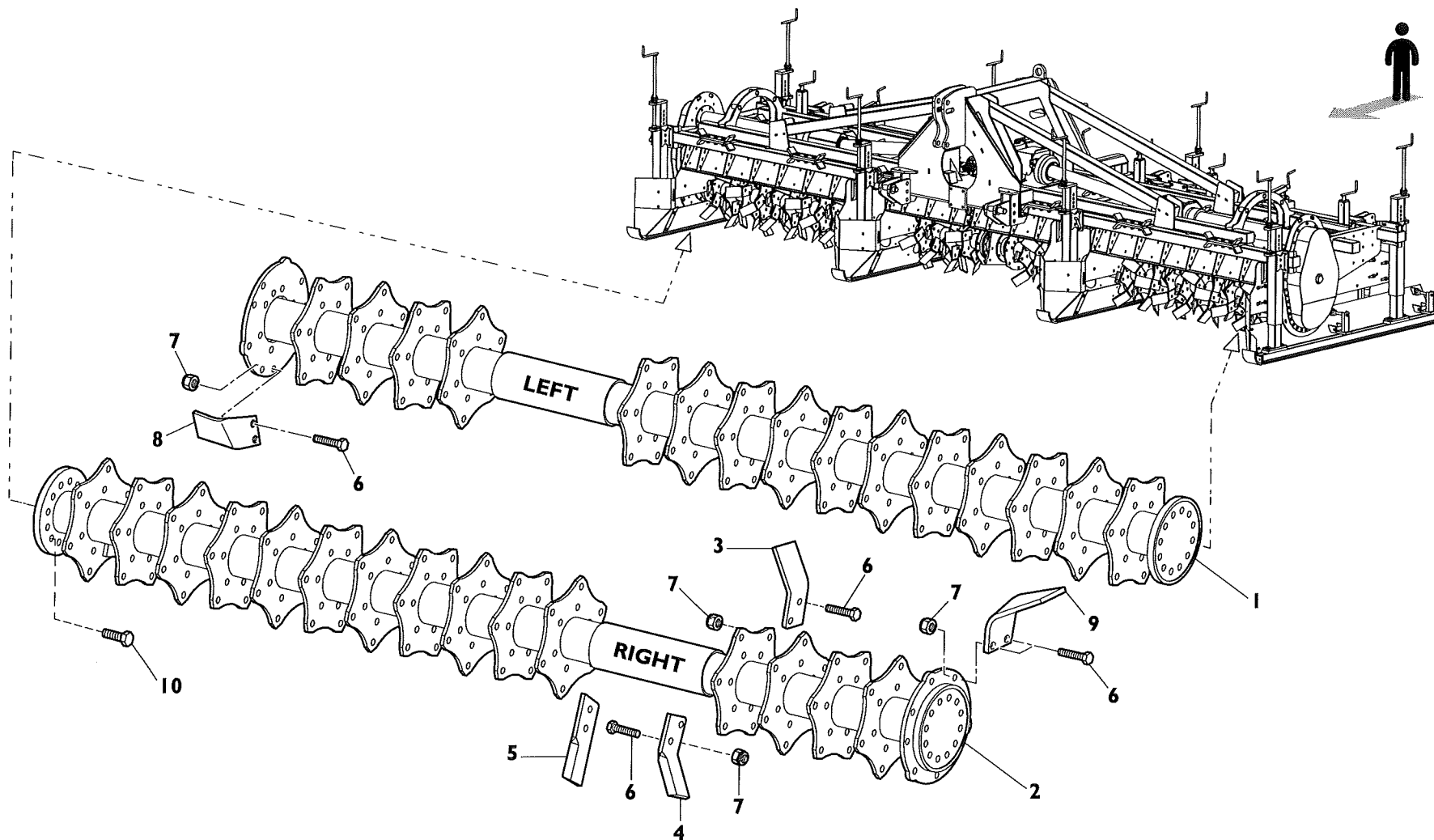


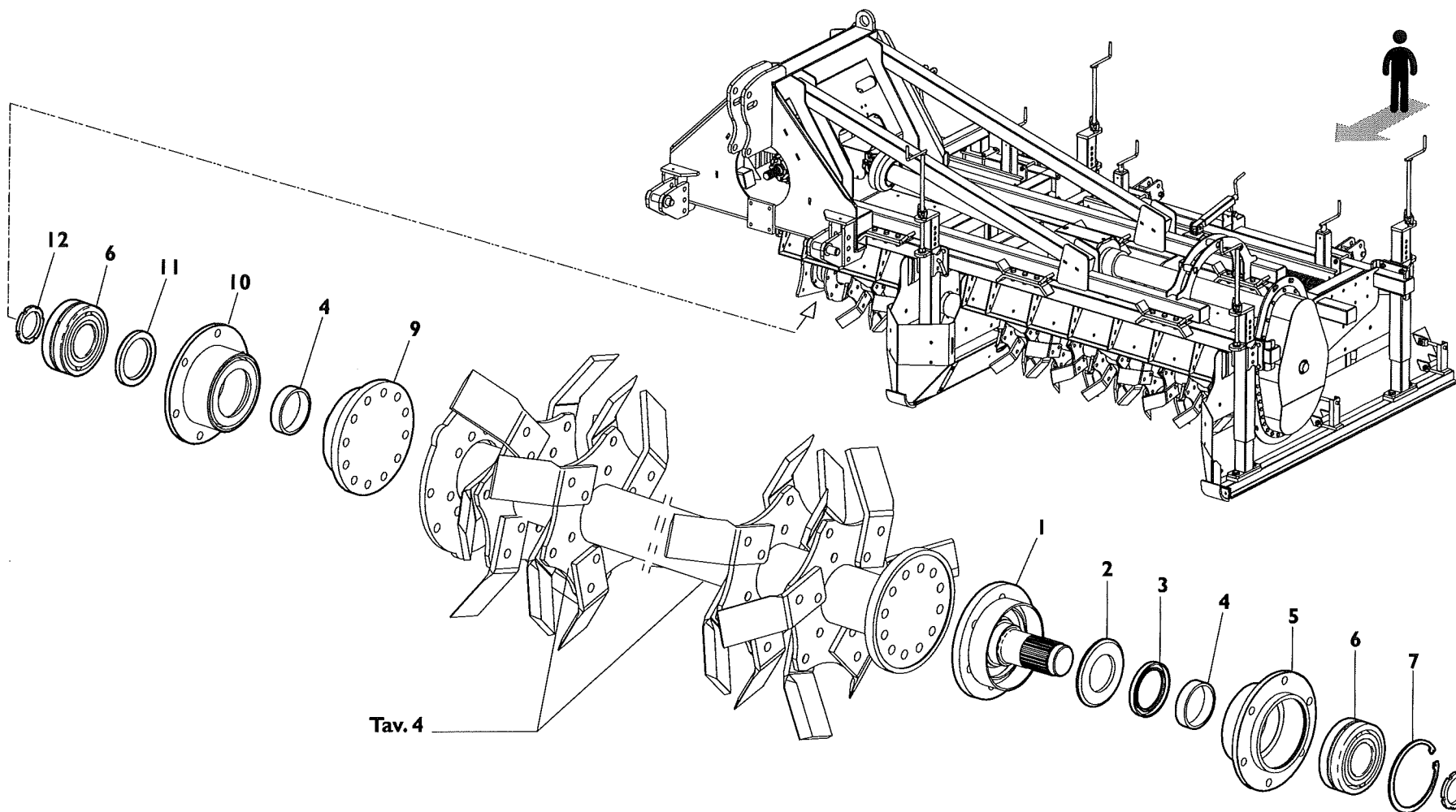




Tav. 03

RIF.	CODE
1	S0.0301.3x80
2	S0.0302
3	S0.0303
4	S0.0304
5	S0.0305
6	S0.0306
7	S0.0307
8	S0.0308
9	S0.0309
10	S0.0310
11	S0.0311
12	S0.0312
13	S0.0313
14	S0.0314



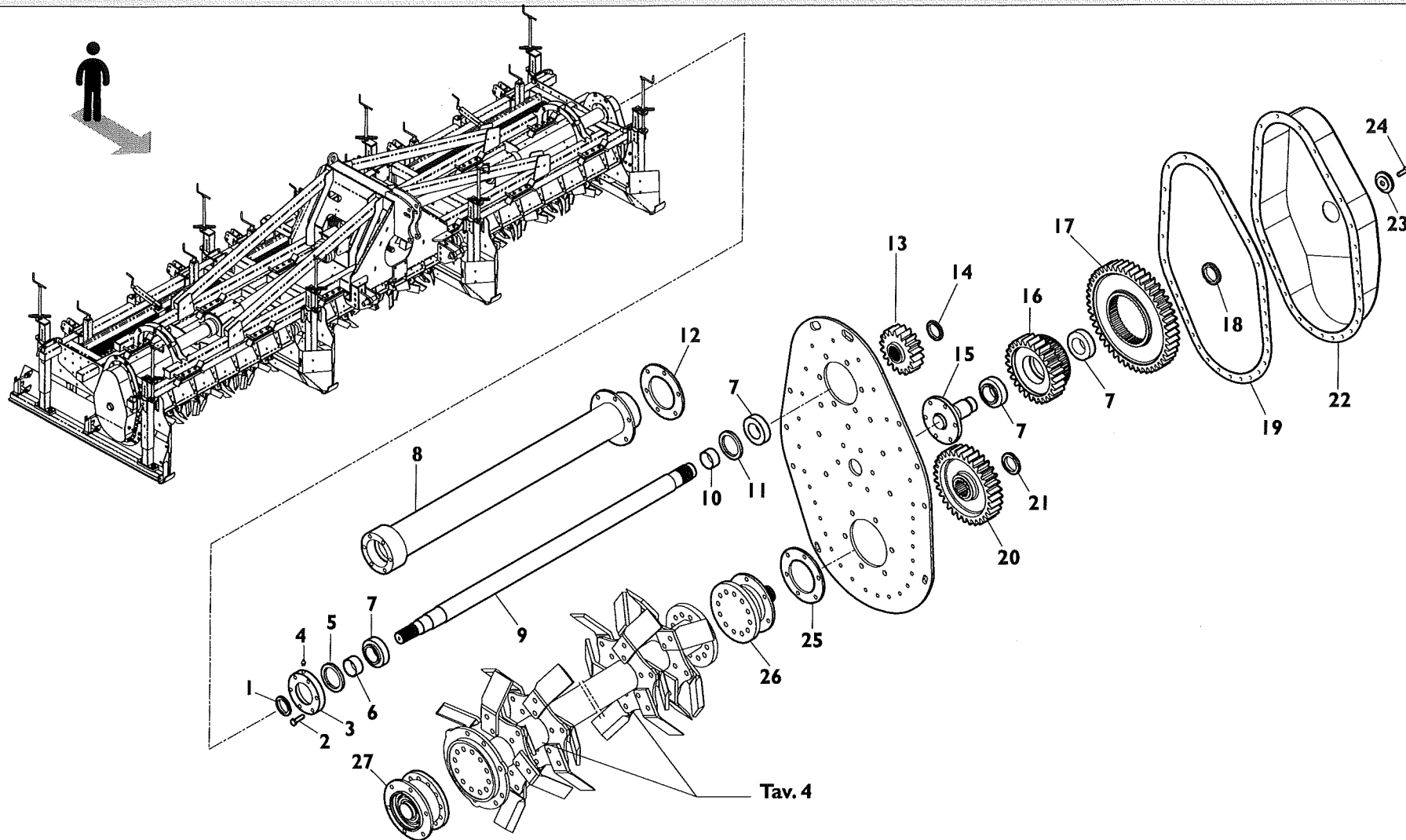




Tav. 05

RIF.	CODE
------	------

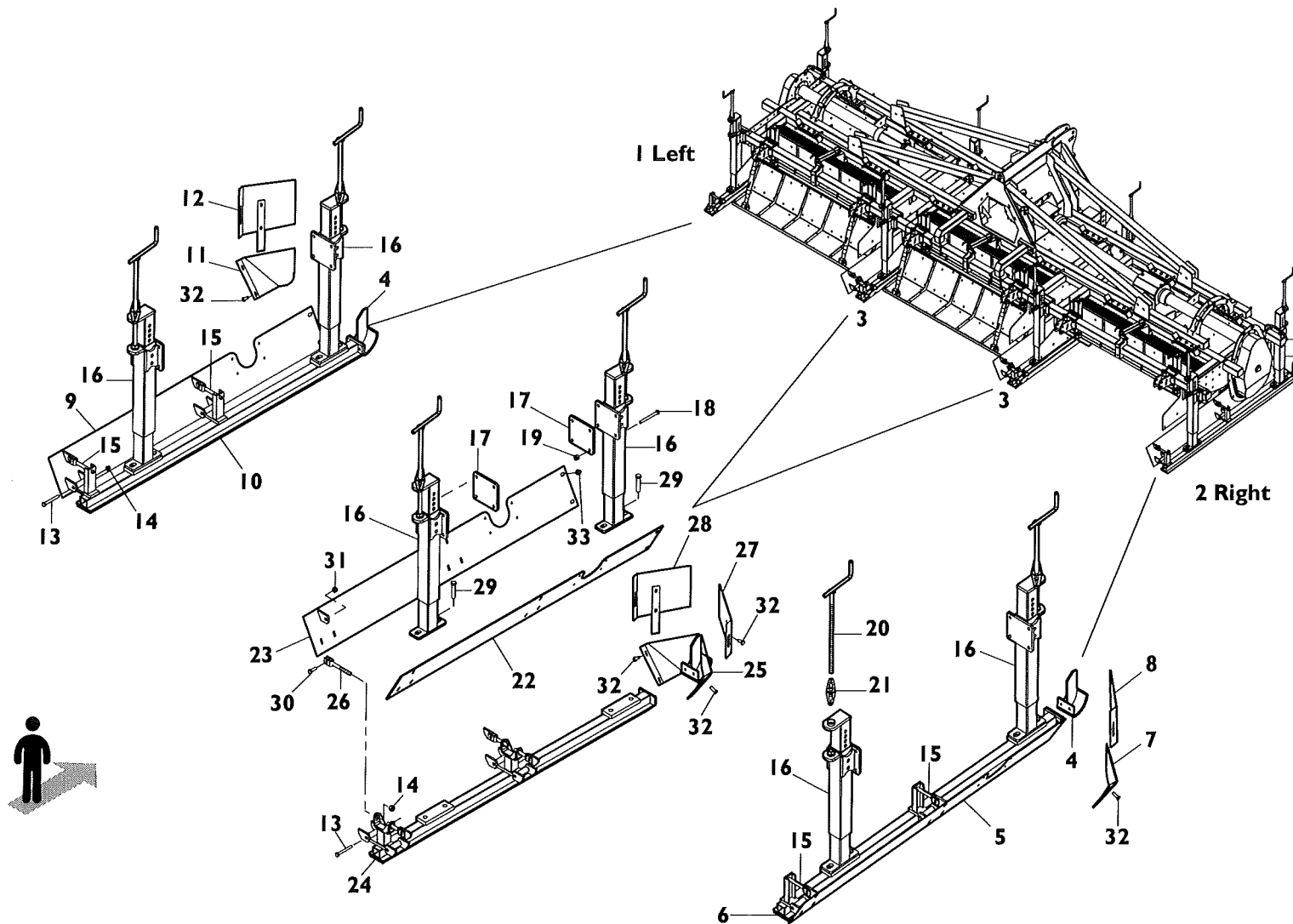
1	S0.0501
2	S0.0502
3	S0.0503
4	S0.0504
5	S0.0505
6	S0.0506
7	S0.0507
8	S0.0508
9	S0.0509
10	S0.0510
11	S0.0511
12	S0.0512





Tav. 06

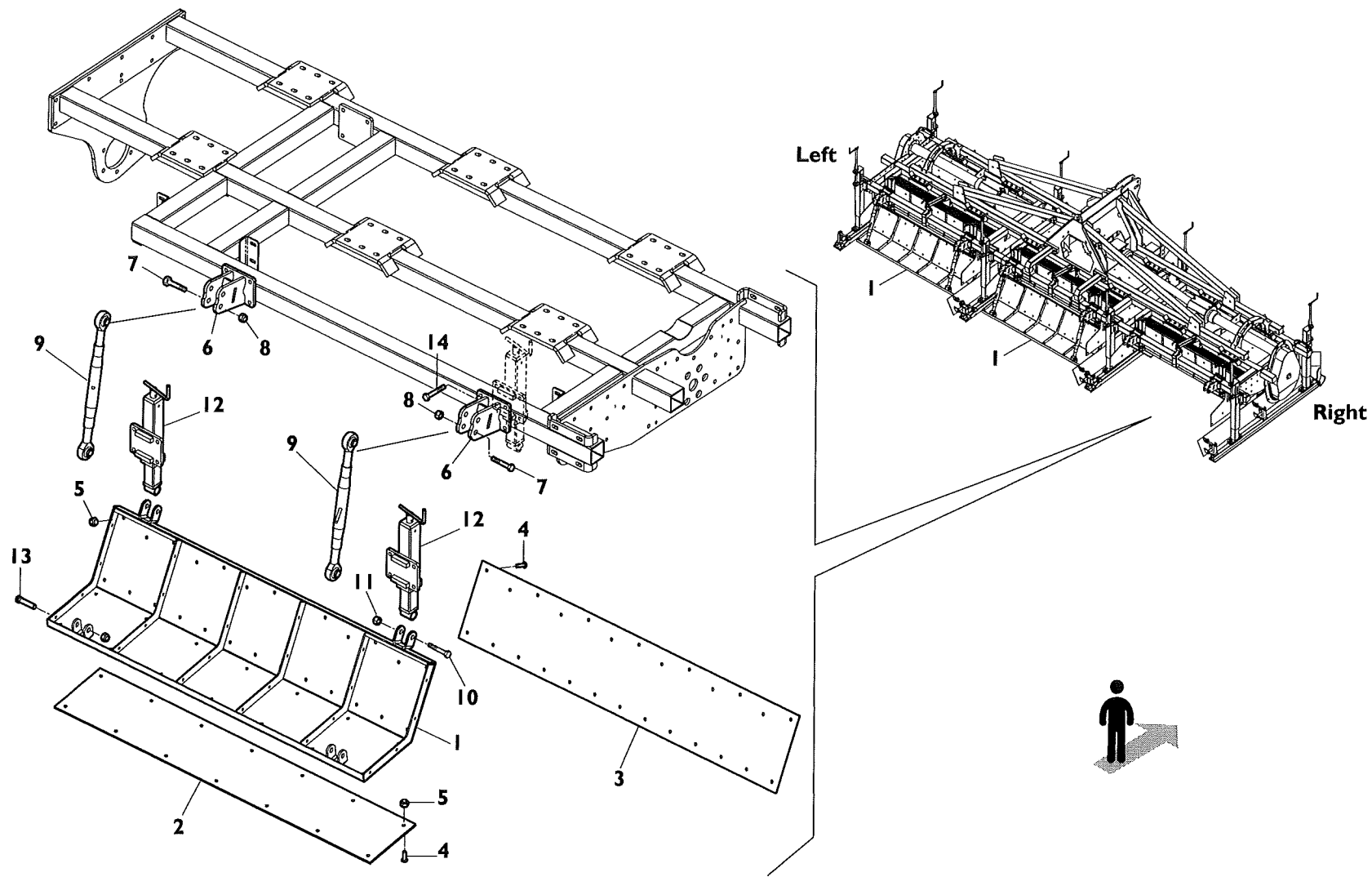
RIF.	CODE
1	SO.0601.3x80
2	SO.0602.3x80
3	SO.0603.3x80
4	SO.0604.3x80
5	SO.0605.3x80
6	SO.0606.3x80
7	SO.0607.3x80
8	SO.0608.3x80
9	SO.0609.3x80
10	SO.0610.3x80
11	SO.0611.3x80
12	SO.0612.3x80
13	SO.0613.3x80
14	SO.0614.3x80
15	SO.0615.3x80
16	SO.0616.3x80
17	SO.0617.3x80
18	SO.0618.3x80
19	SO.0619.3x80
20	SO.0620.3x80
21	SO.0621
22	SO.0622.3x80
23	SO.0623.3x80
24	SO.0624.3x80
25	SO.0625
26	SO.0626
27	SO.0627





Tav. 07

RIF.	CODICE	RIF.	CODICE
1	S0.0701	31	S0.0731.3x80
2	S0.0702	32	S0.0732.3x80
3	S0.0703.3x80		
4	S0.0704		
5	S0.0705		
6	S0.0706		
7	S0.0707		
8	S0.0708		
9	S0.0709		
10	S0.0710		
11	S0.0711		
12	S0.0712		
13	S0.0713		
14	S0.0714		
15	S0.0715		
16	S0.0716		
17	S0.0717		
18	S0.0218		
19	S0.0719		
20	S0.0720		
21	S0.0721		
22	S0.0722.3x80		
23	S0.0723.3x80		
24	S0.0724.3x80		
25	S0.0725.3x80		
26	S0.0726.3x80		
27	S0.0727.3x80		
28	S0.0728.3x80		
29	S0.0729.3x80		
30	S0.0730.3x80		

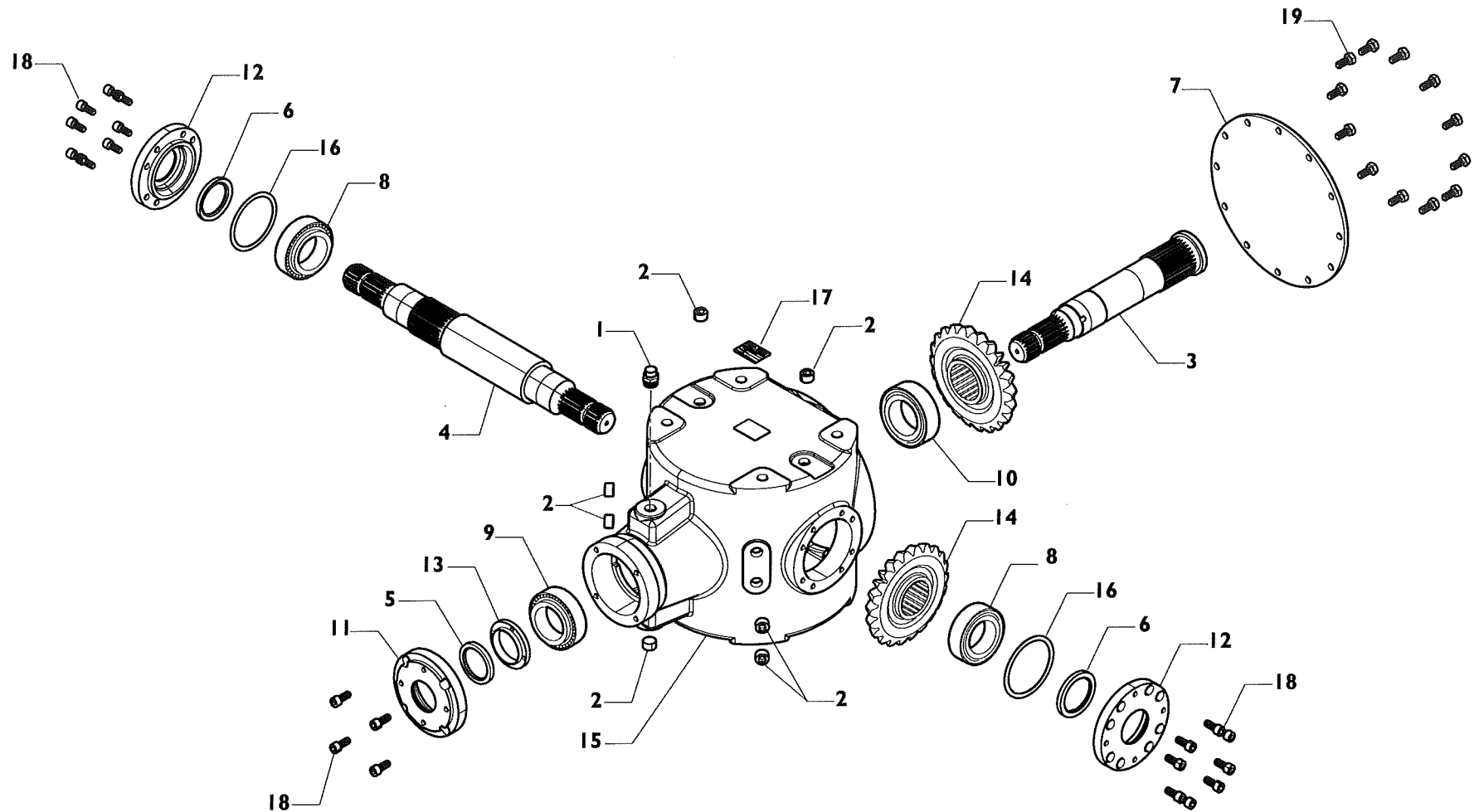




Tav. 08

RIF. CODE

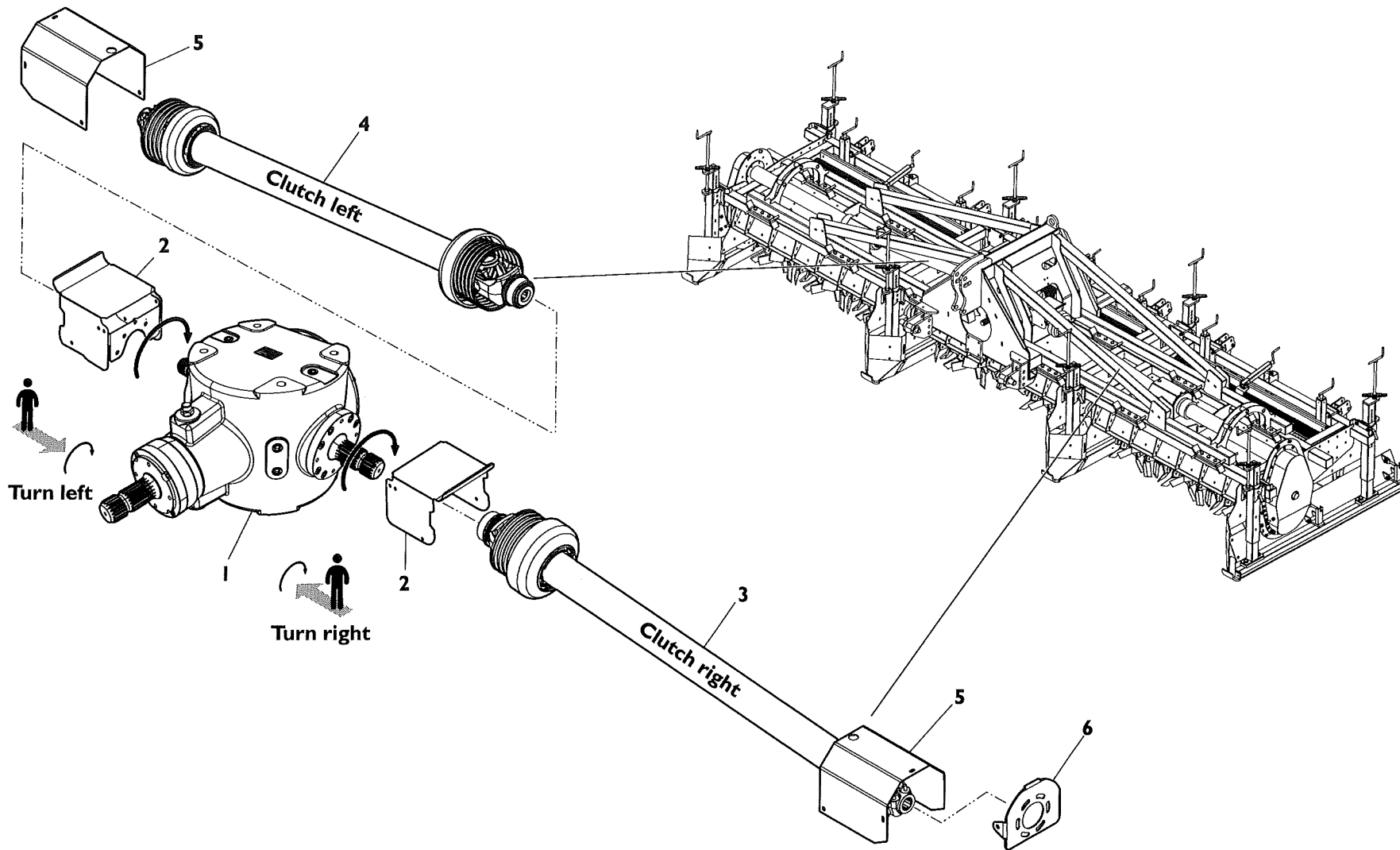
1	SO.0801
2	SO.0802
3	SO.0803
4	SO.0804
5	SO.0805
6	SO.0806
7	SO.0807
8	SO.0808
9	SO.0809
10	SO.0810
11	SO.0811
12	SO.0812
13	SO.0813





Tav. 09

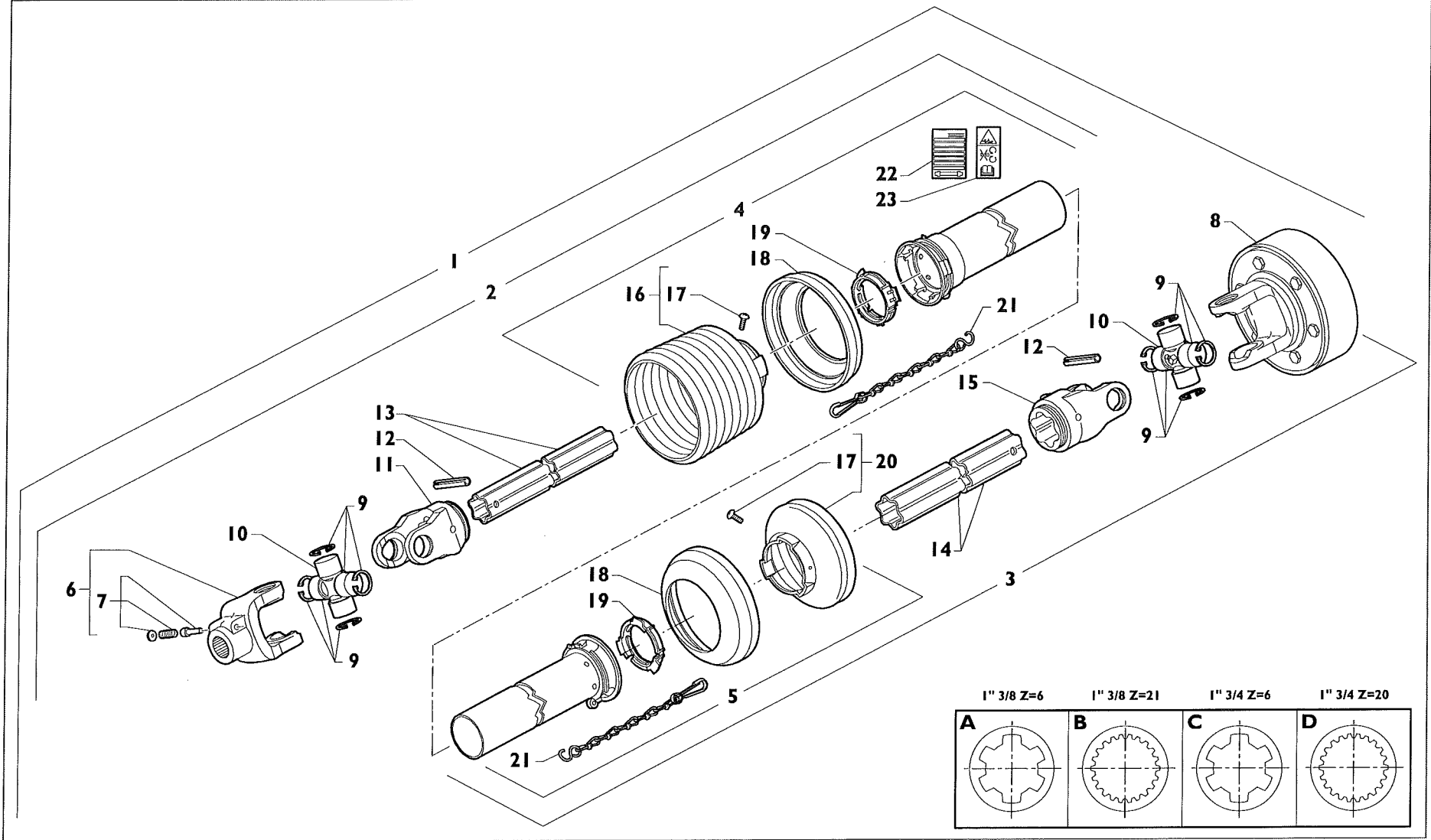
RIF.	CODE
1	S0.0901.3x80
2	S0.0902.3x80
3	S0.0903.3x80
4	S0.0904.3x80
5	S0.0905.3x80
6	S0.0906.3x80
7	S0.0907.3x80
8	S0.0908.3x80
9	S0.0909.3x80
10	S0.0910.3x80
11	S0.0911.3x80
12	S0.0912.3x80
13	S0.0913.3x80
14	S0.0914.3x80
15	S0.0915.3x80
16	S0.0916.3x80
17	S0.0917.3x80
18	S0.0918.3x80
19	S0.0919.3x80

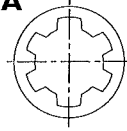
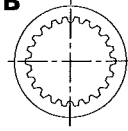
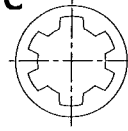
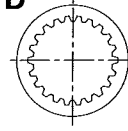




Tav. 10

RIF.	CODE
1	SO.1001.3x80
2	SO.1002.3x80
3	SO.1003.3x80
4	SO.1004.3x80
5	SO.1005.3x80
6	SO.1006.3x80

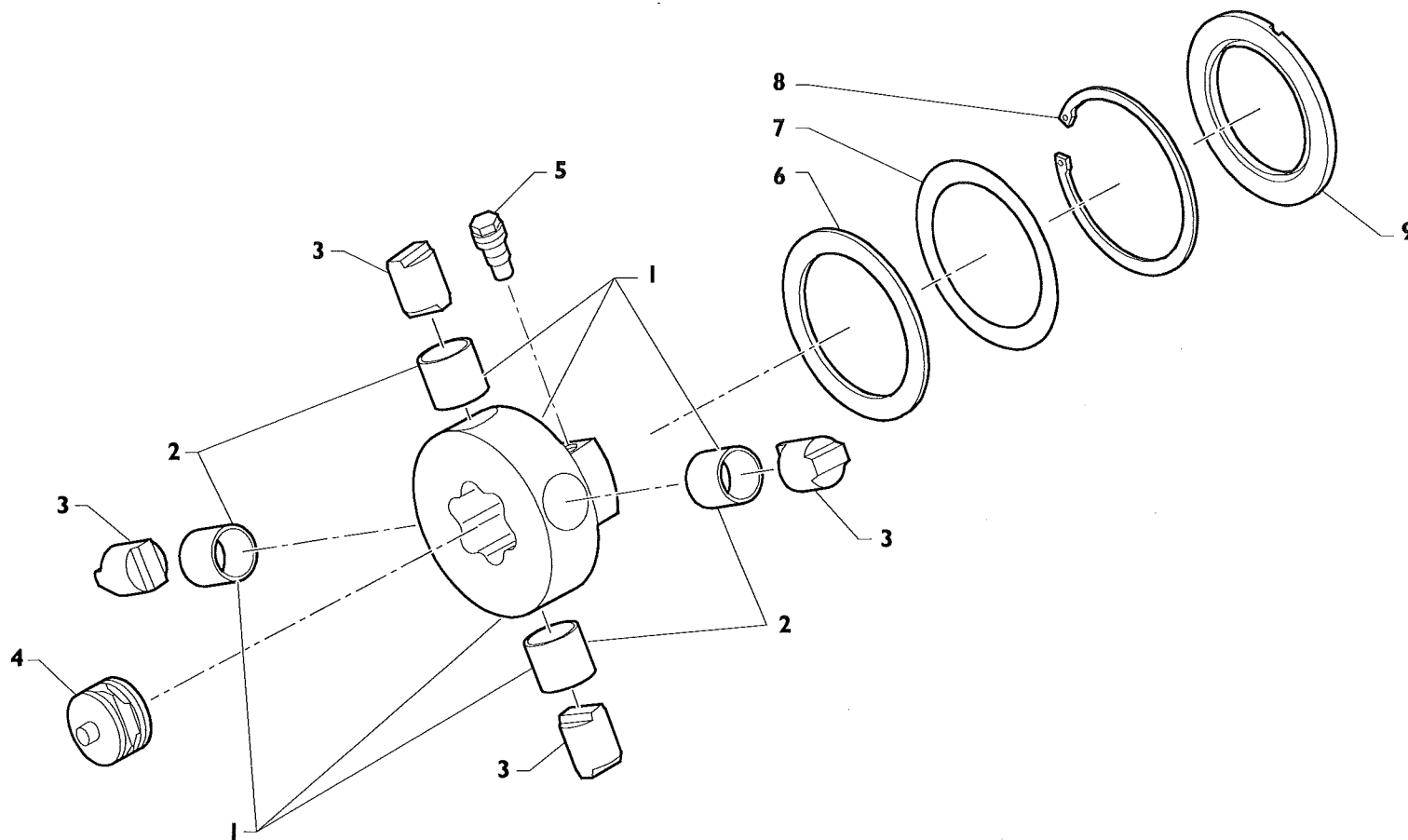


	1" 3/8 Z=6	1" 3/8 Z=21	1" 3/4 Z=6	1" 3/4 Z=20
A				



Tav. 11

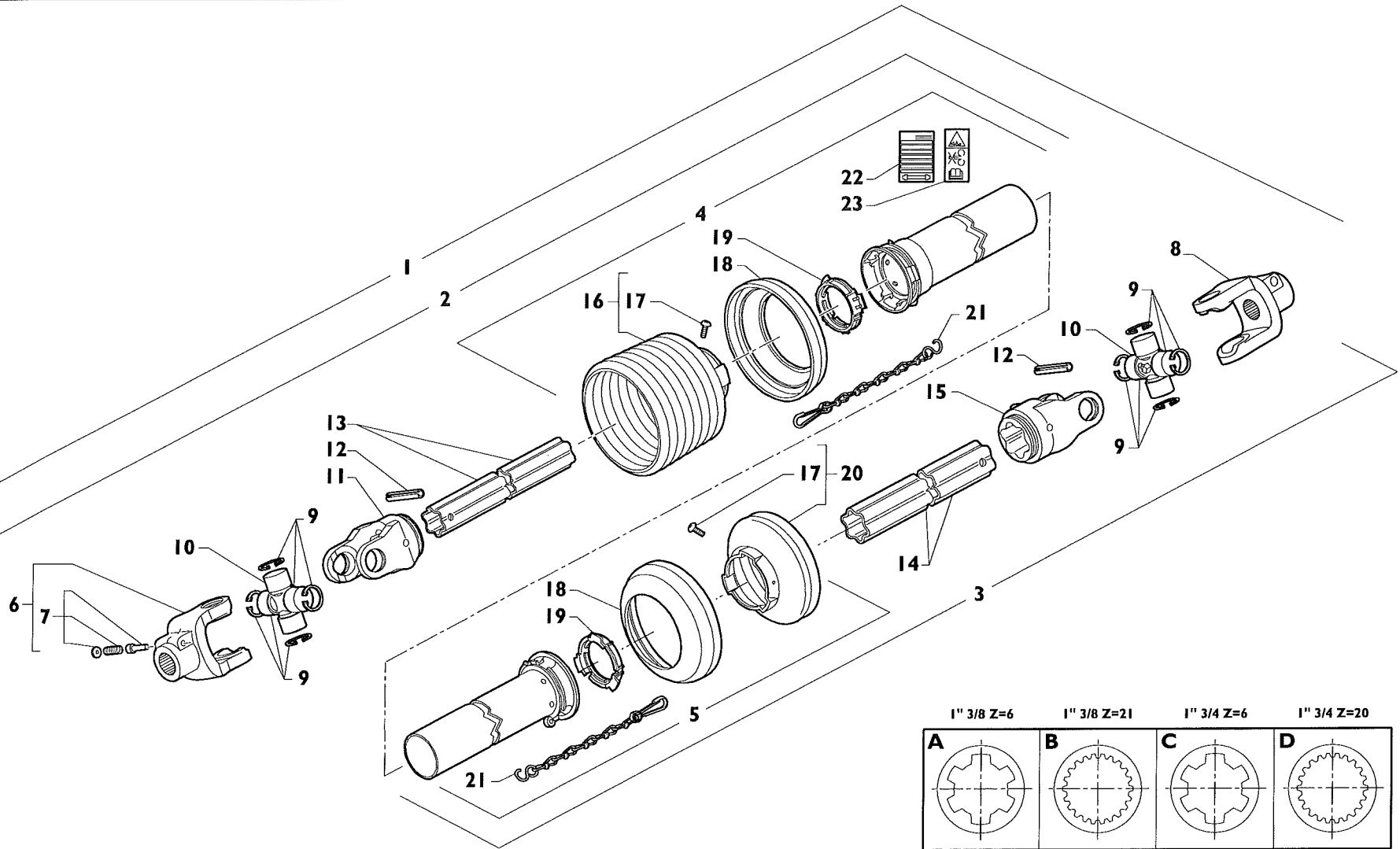
RIF.	CODE
1	S0.1101.3x80
2	S0.1102.3x80
3	S0.1103.3x80
4	S0.1104.3x80
5	S0.1105.3x80
6	S0.1106.3x80
7	S0.1107.3x80
8	S0.1108.3x80
9	S0.1109.3x80
10	S0.1110.3x80
11	S0.1111.3x80
12	S0.1112.3x80
13	S0.1113.3x80
14	S0.1114.3x80
15	S0.1115.3x80
16	S0.1116.3x80
17	S0.1117.3x80
18	S0.1118.3x80
19	S0.1119.3x80
20	S0.1120.3x80
21	S0.1121.3x80
22	S0.1122.3x80
23	S0.1123.3x80





Tav. 12

RIF.	CODE
1	SO.1201.3x80
2	SO.1202.3x80
3	SO.1203.3x80
4	SO.1204.3x80
5	SO.1205.3x80
6	SO.0706.3x80
7	SO.1207.3x80
8	SO.1208.3x80
9	SO.1209.3x80



1" 3/8 Z=6	1" 3/8 Z=21	1" 3/4 Z=6	1" 3/4 Z=20
A	B	C	D



Tav. 13

RIF.	CODE
1	S0.1301.3x80
2	S0.1302.3x80
3	S0.1303.3x80
4	S0.1304.3x80
5	S0.1305.3x80
6	S0.1306.3x80
7	S0.1307.3x80
8	S0.1308.3x80
9	S0.1309.3x80
10	S0.1310.3x80
11	S0.1311.3x80
12	S0.1312.3x80
13	S0.1313.3x80
14	S0.1314.3x80
15	S0.1315.3x80
16	S0.1316.3x80
17	S0.1317.3x80
18	S0.1318.3x80
19	S0.1319.3x80
20	S0.1320.3x80
21	S0.1321.3x80
22	S0.1322.3x80
23	S0.1323.3x80