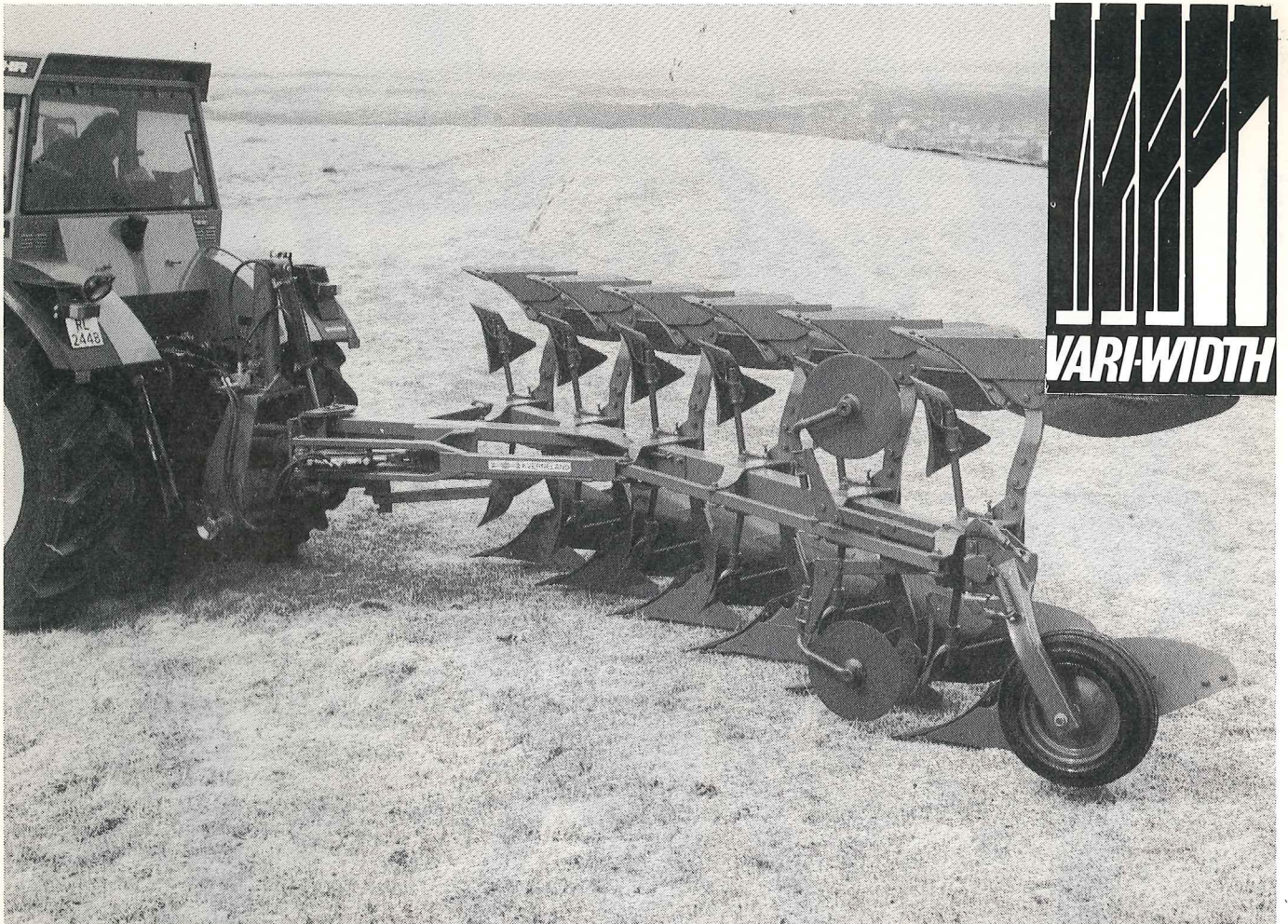




Spare Part List

Model LF-LM

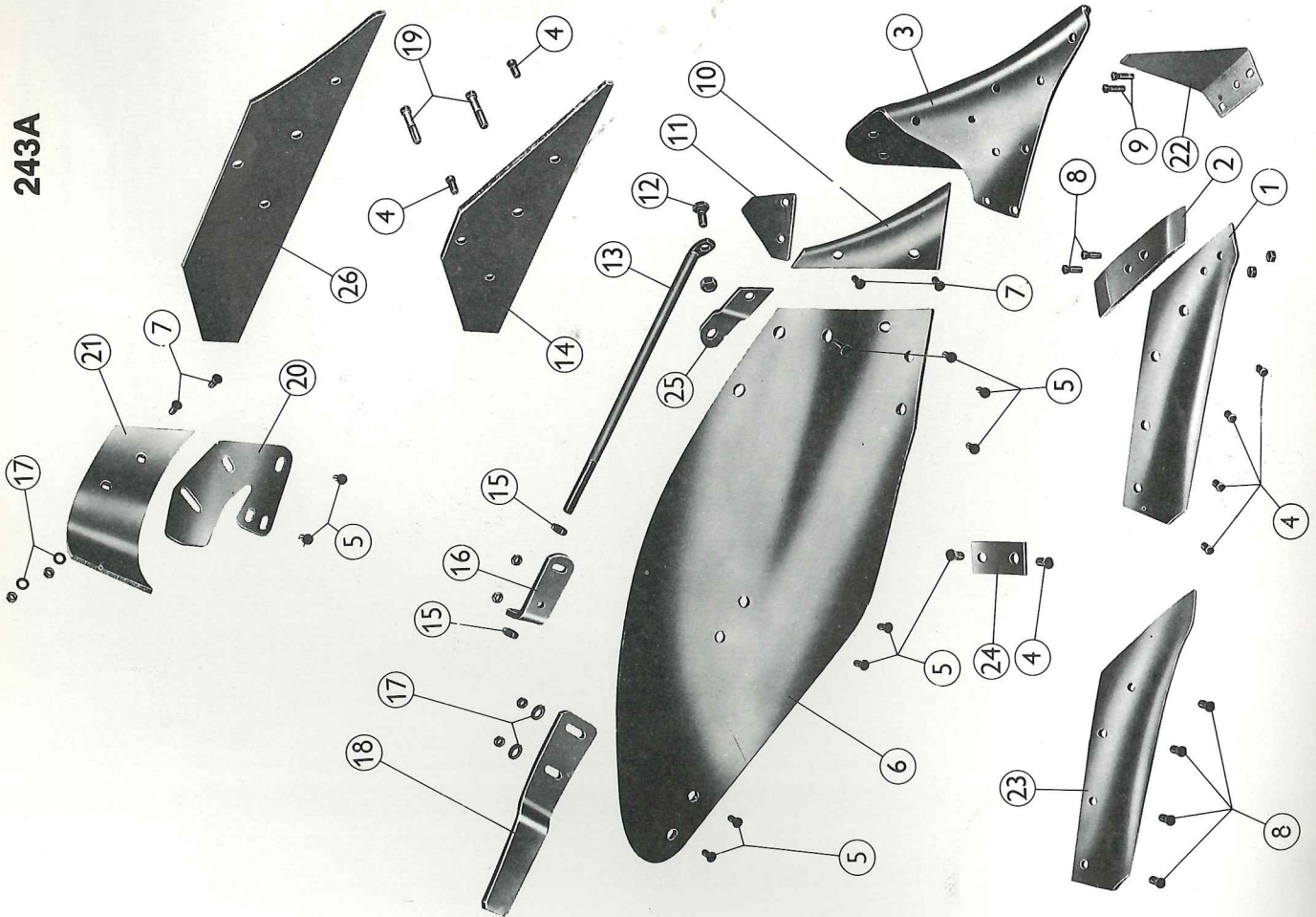
Utgave 1992



243A

243A

**Plough bodies no. 6, 7, 8 and 9
For reversible Plough mod. LF-LM**



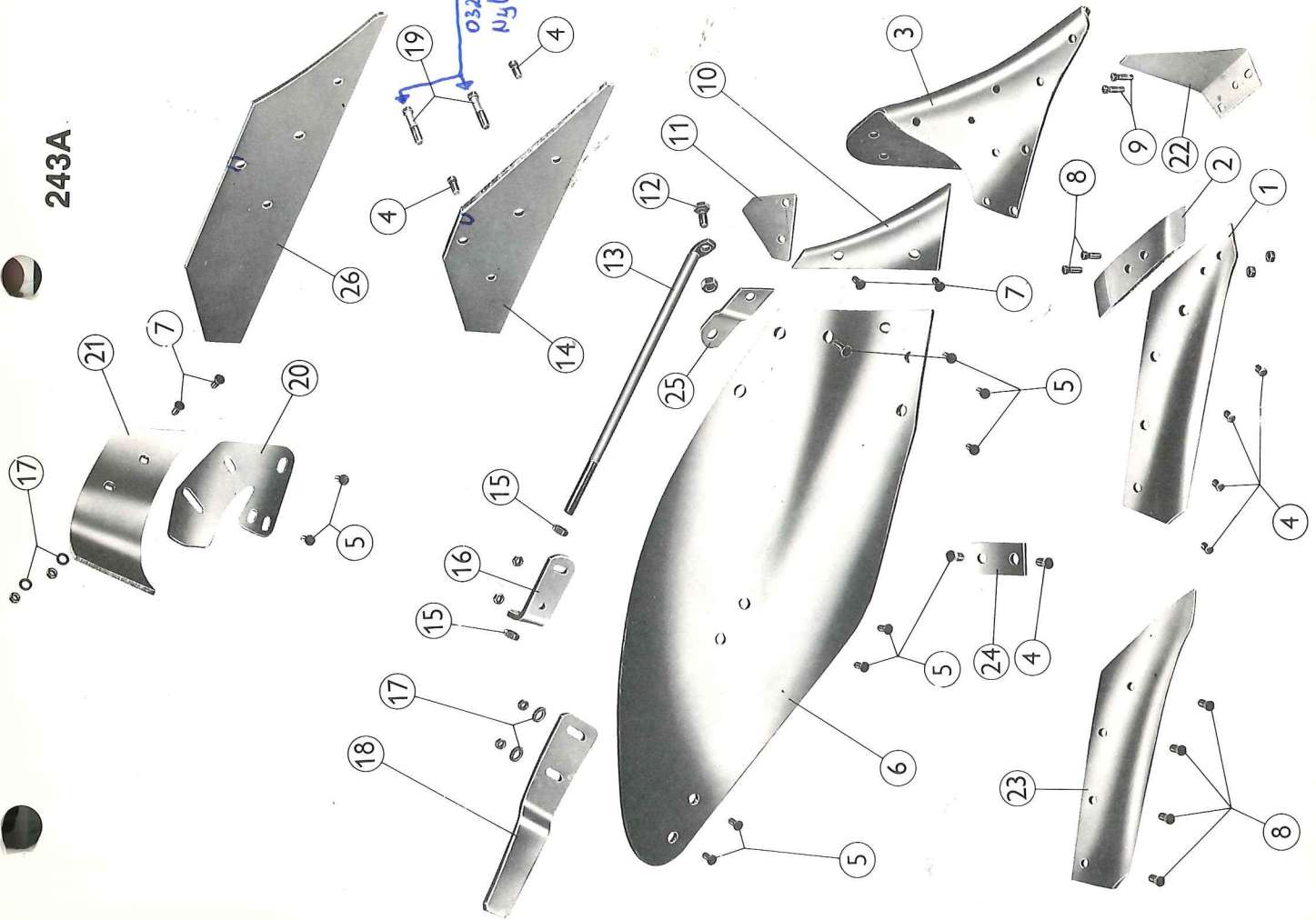
Ill. no.	Part no.	Description
1	07 30 00	Share 12" for reversible point R.H.
	07 30 01	Share 12" for reversible point L.H.
	07 30 02	Share 14" for reversible point R.H.
	07 30 03	Share 14" for reversible point L.H.
	07 30 04	Share 16" for reversible point R.H.
	07 30 05	Share 16" for reversible point L.H.
	07 30 06	Share 18" for reversible point R.H.
	07 30 07	Share 18" for reversible point L.H.
	07 30 08	Share 20" for reversible point R.H.
	07 30 09	Share 20" for reversible point L.H.
2	05 30 90	Reversible point R.H.
	06 30 90	Reversible point L.H.
3	07 34 11	Saddle R.H.
	07 34 12	Saddle L.H.
4	01 33 32	Bolt M14x32mm w/nut
5	03 31 07	Bolt M12x35mm w/nut
6	07 32 60	Mouldboard 12"-16" no. 6 R.H.
	07 32 61	Mouldboard 12"-16" no. 6 L.H.
	07 32 63	Mouldboard 12"-14" no. 7 R.H.
	07 32 64	Mouldboard 12"-14" no. 7 L.H.
	07 32 80	Mouldboard 12" no. 8 R.H.
	07 32 81	Mouldboard 12" no. 8 L.H.
	07 32 86	Mouldboard 14"-18" no. 8 R.H.
	07 32 87	Mouldboard 14"-18" no. 8 L.H.
	07 32 90	Mouldboard 14"-20" no. 9 R.H.
	07 32 91	Mouldboard 14"-20" no. 9 L.H.
7	03 31 00	Bolt M12x30mm w/nut
8	01 32 28	Bolt M12x32mm w/nut
9	01 32 34	Bolt M12x38mm w/nut
10	07 32 50	Shimpiece no. 7 and 8 R.H.
	07 32 51	Shimpiece no. 7 and 8 L.H.
	07 32 56	Shimpiece no. 6 and 9 R.H.
	07 32 57	Shimpiece no. 6 and 9 L.H.

243A

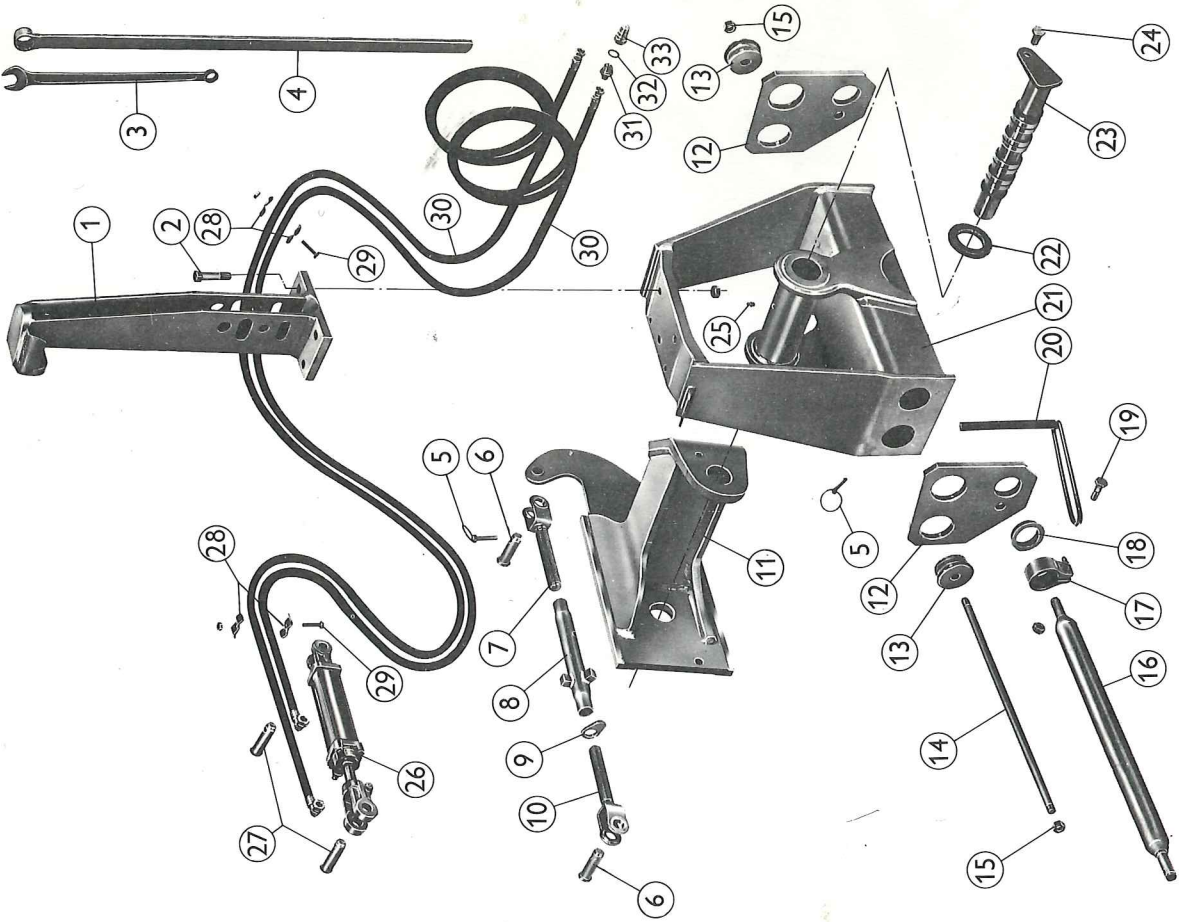
243A

**Plough bodies no. 6, 7, 8 and 9
For reversible Plough mod. LF-LM**

Ill. no.	Part no.	Description
11	07 32 54	Bracket R.H.
12	07 32 55	Bracket L.H.
13	03 27 35	Bolt M16x35mm w/nut
14	07 38 03	Stay
15	07 36 00	Landside short R.H.
16	07 36 01	Landside short L.H.
17	01 58 32	Nut M20
18	01 38 00	Bracket for stay
19	07 38 01	Bracket for stay L.H.
20	07 29 19	Washer D d 12 T 3,2
21	05 33 87	Mouldboard extension (Extras)
22	06 33 88	Mouldboard extension (Extras)
23	03 19 80	Bolt M16x80mm w/nut
24	07 33 10	Bracket R.H.
25	07 33 11	Bracket L.H.
26	07 33 00	Trashboard R.H.
27	07 33 01	Trashboard L.H.
28	07 06 40	Trashboard cpl. R.H.
29	07 06 41	Trashboard cpl. L.H.
30	07 06 42	Trashboard cpl. R.H. and L.H.
31	07 30 91	Share-knife R.H.
32	07 30 92	Share-knife L.H.
33	07 30 20	Share 12" R.H.
34	07 30 21	Share 12" L.H.
35	07 30 22	Share 14" R.H.
36	07 30 23	Share 14" L.H.
37	07 30 24	Share 16" R.H.
38	07 30 25	Share 16" L.H.
39	07 34 14	Bracket R.H. for 16" share only
40	07 34 15	Bracket L.H. for 16" share only
41	07 34 15	Bracket L.H. for 16" for 16 share only
42	07 32 66	Bracket R.H. (For body no. 6 and 9)
43	07 32 67	Bracket L.H. (For body no. 6 and 9)
44	07 36 04	Landside long R.H.
45	07 36 05	Landside long L.H.



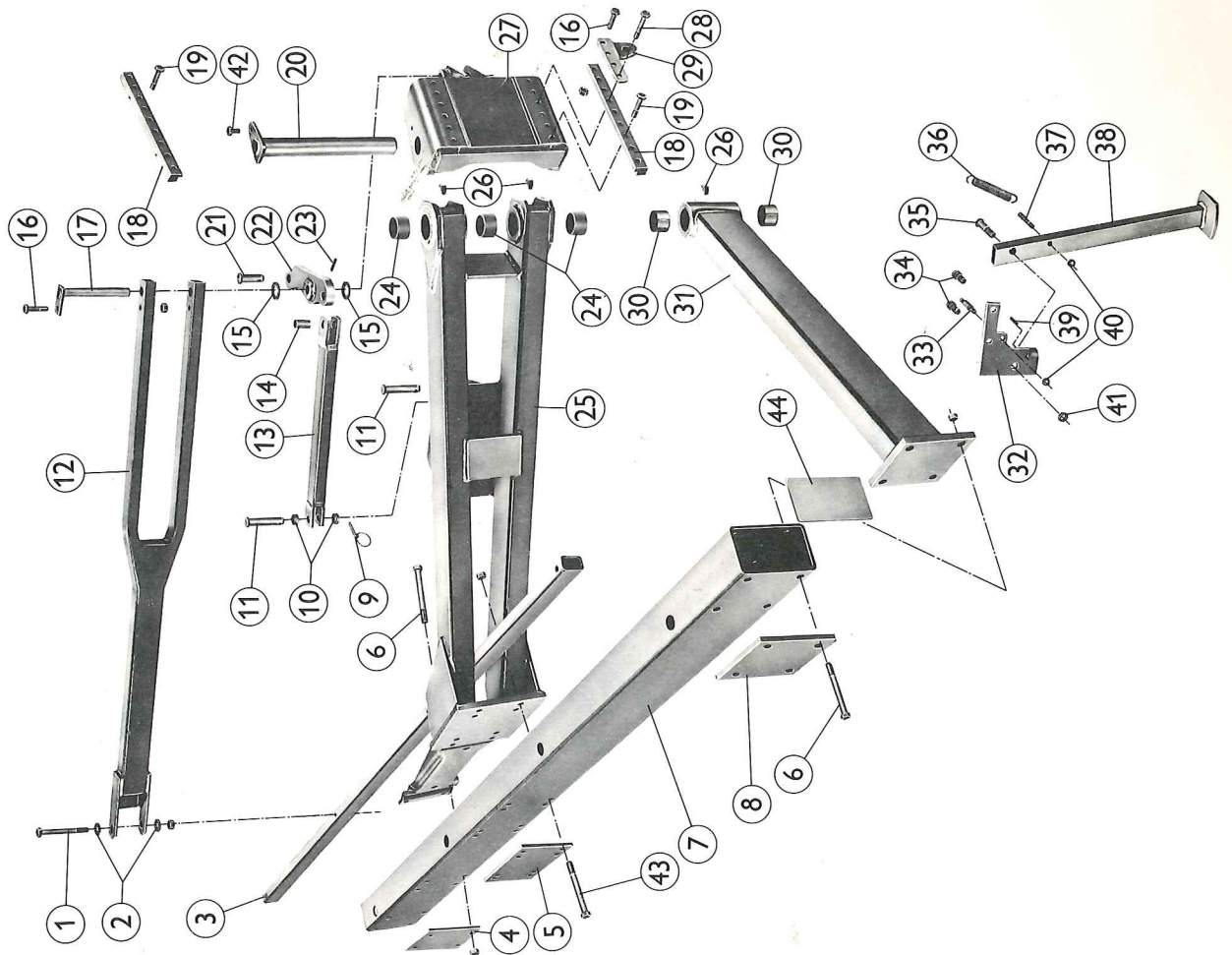
NB! På alla on-land-plögar brukas mellan legs-plak 063608 063607



Turn-over device

Ill. no.	Part no.	Description
1	06 21 53	Headstock
2	03 28 75	Bolt M20x75mm w/nut
3	01 06 06	Spanner (19-27)
4	01 06 27	Spanner (27)
5	01 07 00	Pin M12
6	01 03 15	Pin Ø25x53mm
7	35 11 40	Screw L.H.
8	35 11 44	Turnbuckle
9	35 11 48	Lock-nut
10	35 11 39	Screw R.H.
11	36 11 16	Turnbuckle cpl.
12	07 16 40	Main shaft
13	07 43 41	Plate
14	07 43 41	Bush
15	07 43 42	Bolt
16	01 58 30	Nut M20
17	07 04 58	Kit-lower cross-shaft cpl.
18	06 43 20	Cross-shaft cat. II L 935mm
19	06 43 21	Cross-shaft cat. III L 965mm
20	06 43 60	Collar
21	06 43 17	Bolt
22	03 28 60	Bolt M20x60mm w/nut
23	07 02 16	Screw with handle
24	06 21 19	Headstock
25	07 16 52	Washer
26	06 02 52	Pivot pin with bearing
27	03 27 25	Bolt M16x27mm
28	02 99 20	Grease-nipple
29	07 02 00	Turn-over device cpl.
30	35 23 00	Cylinder cpl. Ø50x200mm (ill. page 11)
31	01 03 28	Pin Ø25x78mm
32	06 19 42	Hoseholder
33	03 25 45	Bolt M10x45mm w/nut
	01 15 17	Hose L 2800mm
	01 15 67	Threaded coupling
	01 15 65	Ring
	01 21 14	Quick coupling

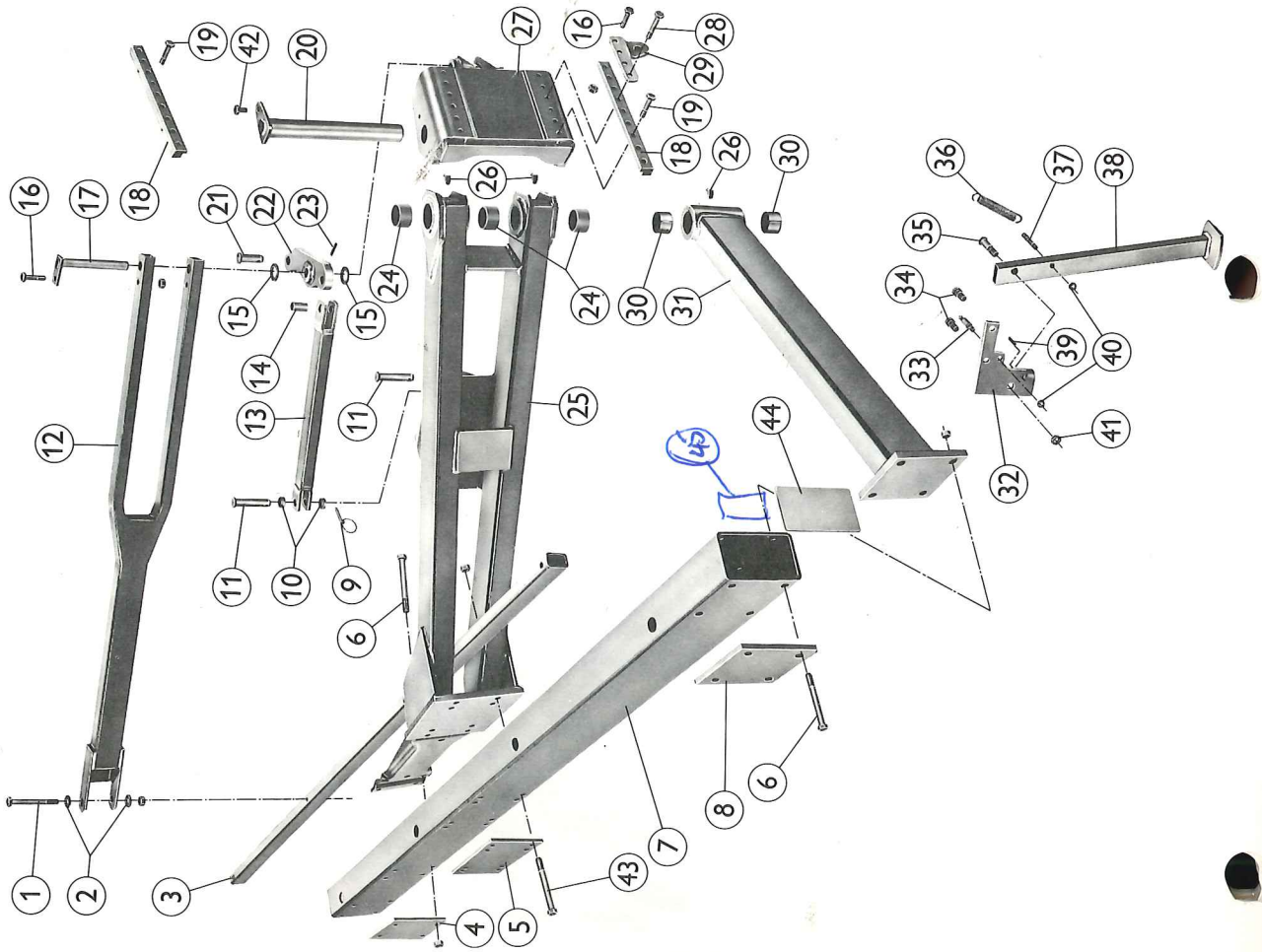
Frame for mod. LF-LM



Ill. no.	Part no.	Description
1	03 27 10	Bolt M16x155mm w/nut
2	01 29 22	Washer
3	07 11 77	Tube 4 furrow mod. LF
	07 11 78	Tube 5 furrow mod. LF
	07 11 79	Tube 6 furrow mod. LF
	07 11 97	Tube 4 furrow mod. LM
	07 11 98	Tube 5 furrow mod. LM
	07 11 99	Tube 6 furrow mod. LM
4	07 16 72	Plate
5	07 16 14	Plate
6	03 28 13	Bolt M20x170mm w/nut
7	07 11 92	Main tube 4 furrow mod. LF
	07 11 93	Main tube 5 furrow mod. LF
	07 11 76	Main tube 6 furrow mod. LF
	07 11 94	Main tube 4 furrow mod. LM
	07 11 95	Main tube 5 furrow mod. LM
	07 11 96	Main tube 6 furrow mod. LM
8	07 90 68	Plate
9	01 07 00	Pin M12
10	01 00 08	Spacing tube
11	01 03 18	Pin Ø25x100mm
12	07 19 72	Steering arm mod. LF
	07 19 90	Steering arm mod. LM
13	07 40 15	Pin
14	07 40 17	Pin
15	01 29 42	Washer
16	03 27 70	Bolt M16x70mm w/nut
17	07 60 08	Pin
18	07 16 05	Slide rails
19	03 27 80	Bolt M16x80mm w/nut
20	06 21 60	Pivot pin
21	01 03 28	Pin
22	07 40 10	Cylinder bracket
23	01 07 04	Roll-pin Ø8x60mm
24	01 16 86	Bush
25	07 01 35	Main support w/ bush 01 16 86
26	02 99 22	Grease nipple
27	07 19 50	Support
28	03 27 95	Bolt M16x95mm w/nut
29	06 18 41	Cylinder bracket

072140 Fur m. 324 P. 738

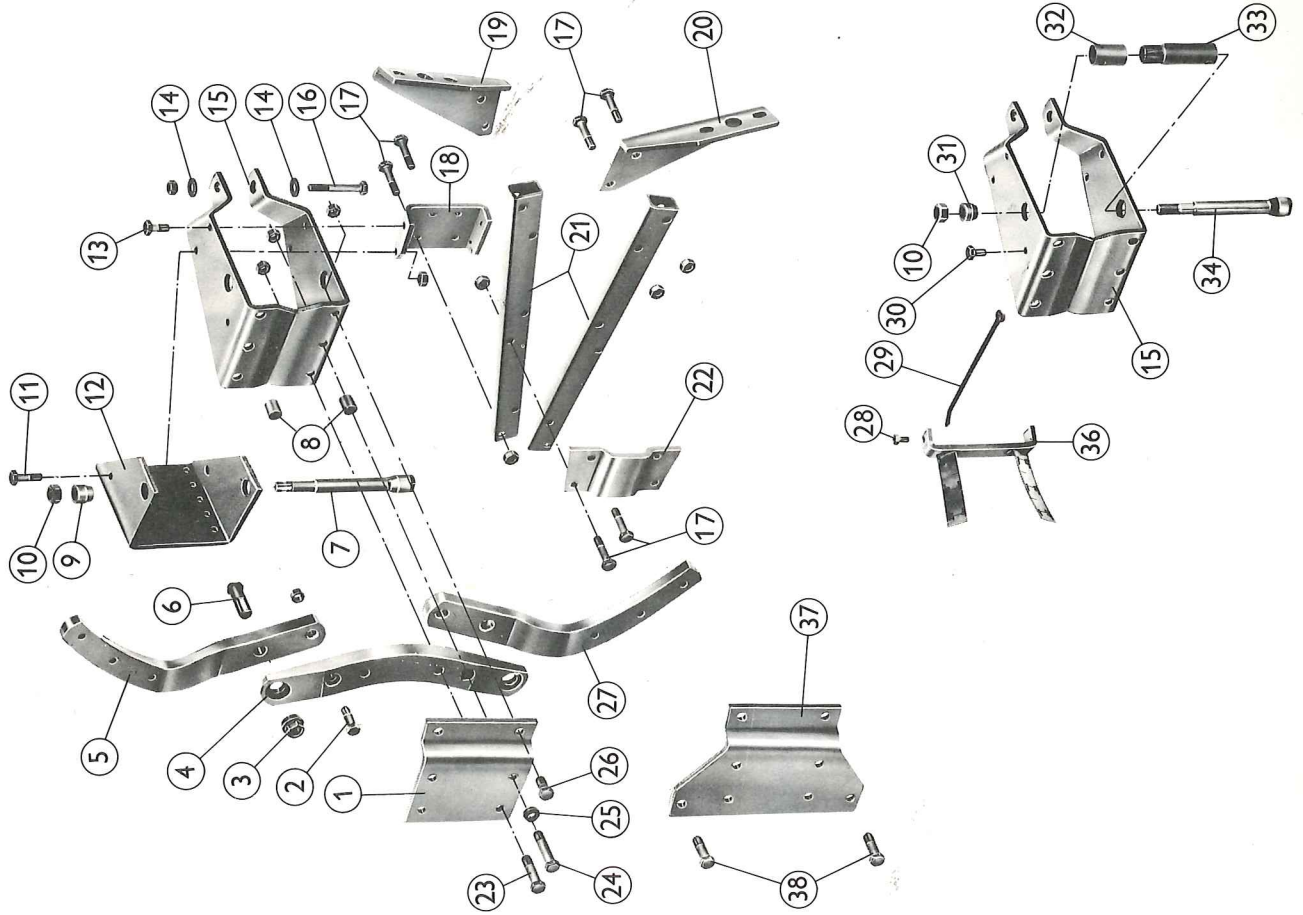
Frame for mod. LF-LM



Ill. no.	Part no.	Description
30	01 16 56	Bush
31	07 01 36	Main cross beam mod. LF
32	07 01 40	Main cross beam mod. LM
33	07 17 10	Bracket
34	07 17 13	Pin
35	03 27 45	Bolt M16x45mm
36	07 17 12	Bolt
37	07 17 11	Spring
38	07 17 14	Pin
39	07 17 15	Machine stand
40	01 10 18	Roll pin Ø10x40mm
41	01 60 13	Nut M14
42	01 58 35	Nut M20
43	03 27 30	Bolt M16x30mm
44	03 28 18	Bolt M20x180mm w/nut
44	01 09 10	Plastic cover

45 071979 Fourstaken-202

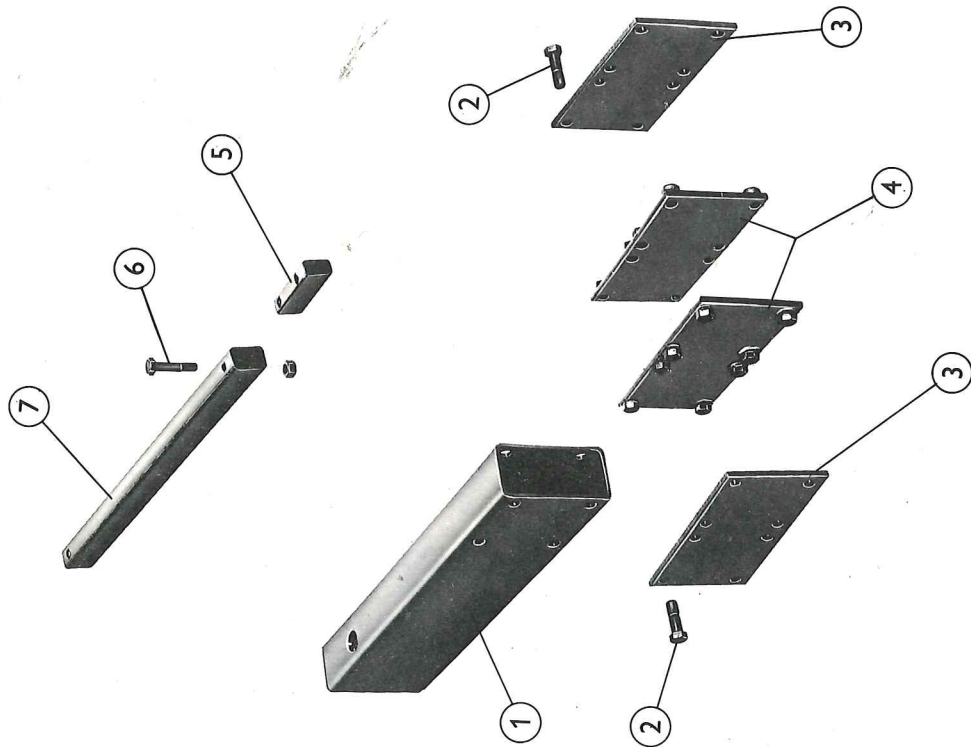
Beam and rear parts mod. LF-LM



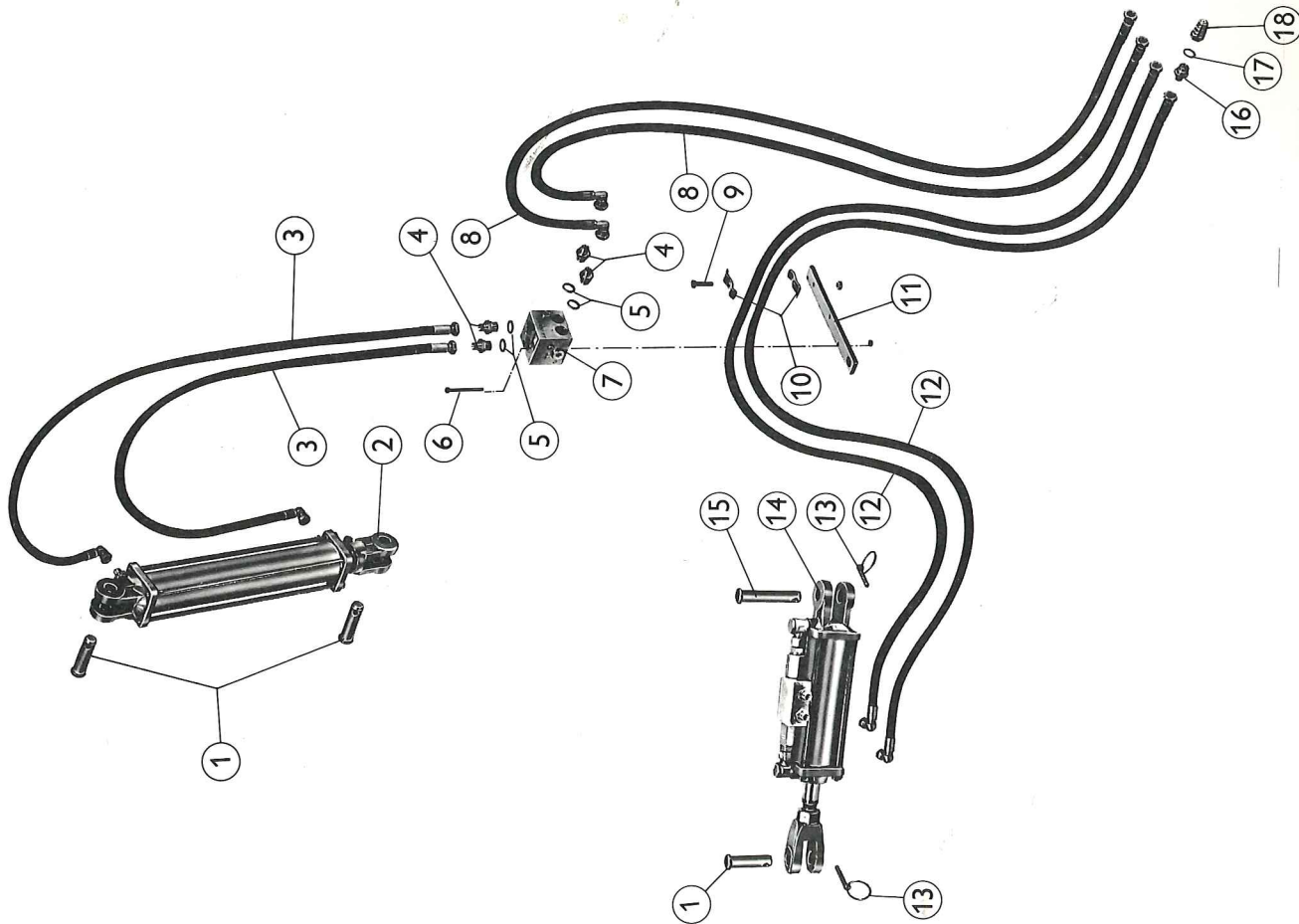
Ill. no.	Part no.	Description
1	07 15 28	Plate for beam 01 12 11
2	03 50 60	Shear-bolt
3	01 60 22	Nut M30
4	07 12 06	Centre beam for beam height 700mm
5	07 12 07	Centre beam for beam height 800mm
6	07 12 09	Beam L.H.
7	07 70 23	Main bolt M30x72mm <i>e - 077024 Boll.</i>
8	07 14 09	Bolt
9	06 15 15	Spacing-tube
10	07 14 13	Tapered bush, rear
11	01 58 41	Nut M24
12	03 27 60	Bolt M16x60mm w./nut
13	07 40 50	Wheel support
14	03 27 50	Bolt M16x50mm w./nut
15	07 16 64	Bush
16	07 16 90	Beam support
17	03 27 02	Bolt M16x110mm w./nut
18	03 27 75	Bolt M16x75mm w./nut
19	07 60 35	Support for arm
20	07 60 31	Left bracket for disc-coupler, beam height 700mm
21	07 60 37	Left bracket for disc-coupler, beam height 800mm
22	07 60 30	Right bracket for disc-coupler, beam height 700mm
23	07 60 34	Right bracket for disc-coupler, beam height 800mm
24	07 60 35	Arm for disc-coupler
25	07 60 35	Plate
26	03 28 80	Bolt M20x80mm w./nut
27	03 28 90	Bolt M20x90mm w./nut
28	06 20 20	Washer
29	03 28 40	Bolt M20x40mm w./nut
30	07 12 08	Beam R.H.
31	03 41 22	Set screw M12x27mm
32	07 18 53	Pointer
33	03 27 25	Bolt M16x27mm
34	07 14 03	Tapered bush
35	07 14 10	Spacing-tube, outward
36	07 14 11	Spacing tube, inner
37	07 14 12	Spacing-tube cpl. (Ill. 32 and 33)
38	07 14 02	Bolt
Not ill.	34	Indicator w./set screw
Not ill.	36	Plate for beam 07 12 12
Not ill.	37	Bolt M20x65mm w./nut
Not ill.	38	Beam cpl. H 700mm (Ill. no. 2-6 and 27 mount)
Not ill.	38	Beam cpl. H 800mm (Ill. no. 2-6 and 27 mount)

Additional body mod. LF-LM

Ill. no.	Part no.	Description
1	07 17 03	Tube mod. LF
2	07 17 04	Tube mod. LM
3	03 28 45	Bolt M20x45mm w/nut
4	07 10 45	Plate, outer
5	07 10 47	Plate, inner
6	07 11 58	Fastening piece
7	03 27 02	Bolt M16x110mm w/nut
	07 11 72	Tube mod. LF
	07 11 73	Tube mod. LM



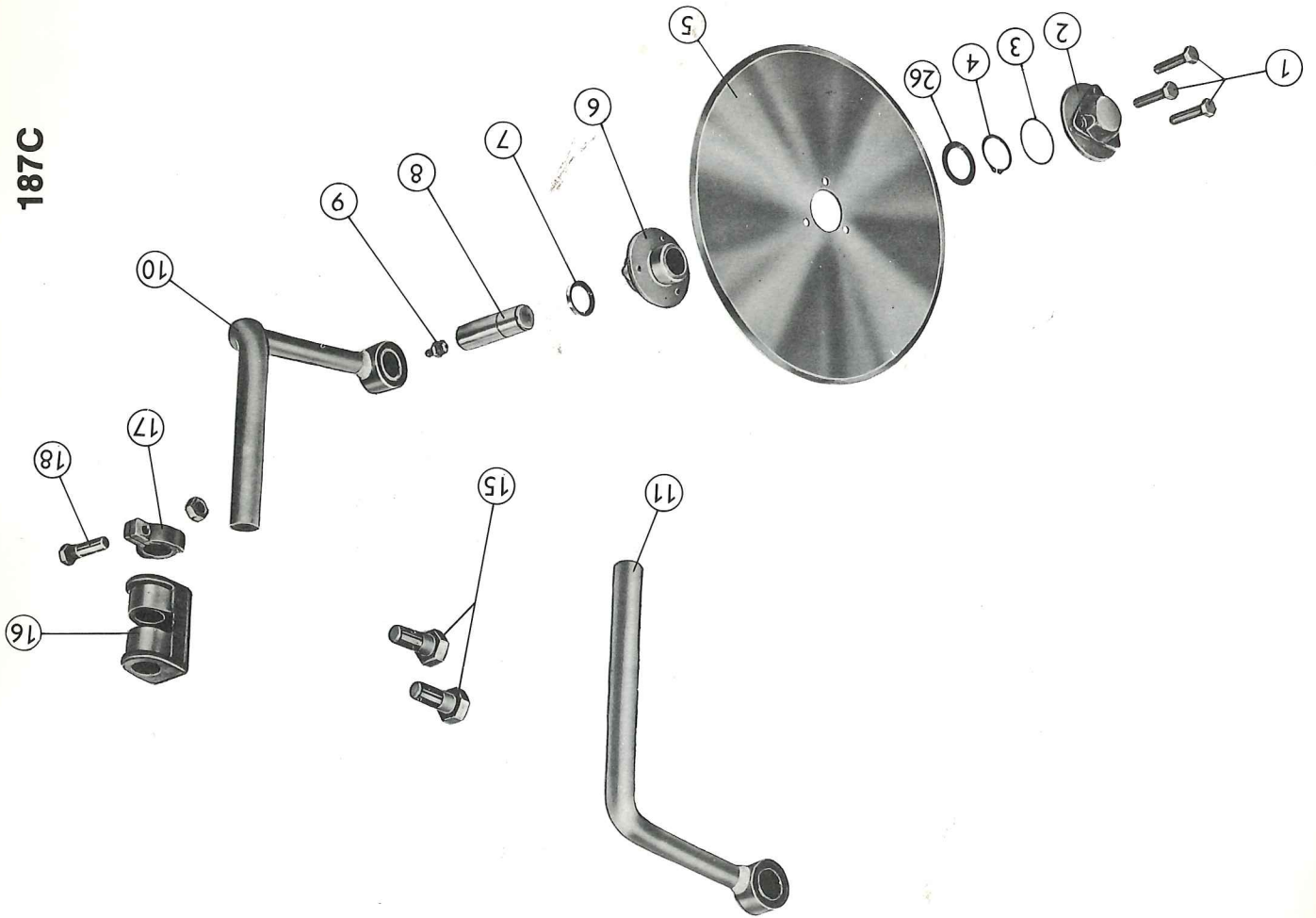
**Hydraulic
width lock valve for furrow "single variwidth adjustment"**



Ill. no.	Part no.	Description
1	01 03 28	Pin Ø25x78mm
2	35 21 84	Cylinder Ø75x400mm (Ill. page 13)
3	01 22 12	Hose L 900mm
4	01 15 67	Threaded coupling
5	01 15 65	Ring
6	03 50 10	Bolt M8x90mm w/nut
7	01 21 68	Change-over valve
8	01 15 11	Hose L 1250mm
9	03 25 45	Bolt M10x45mm w/nut
10	03 25 65	Bolt M10x65mm w/nut
11	06 19 42	Hose-holder
12	07 16 86	Bracket for valve
13	01 15 17	Hose L 2800mm
14	01 07 00	Pin M12
15	35 19 41	Cylinder with lock-valve (Ill. page 12)
16	01 03 18	Pin Ø25x100mm

187C

187C

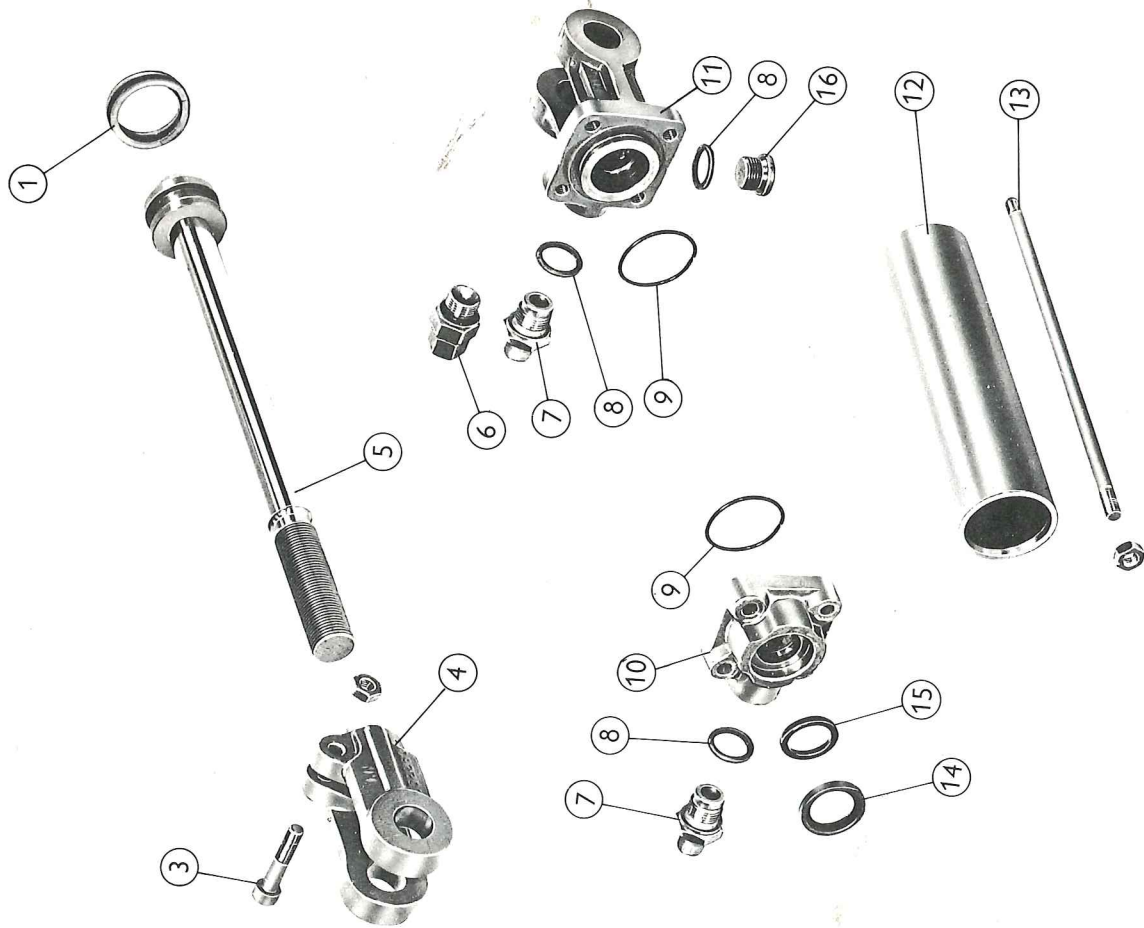


Disc couplers with needle bearings

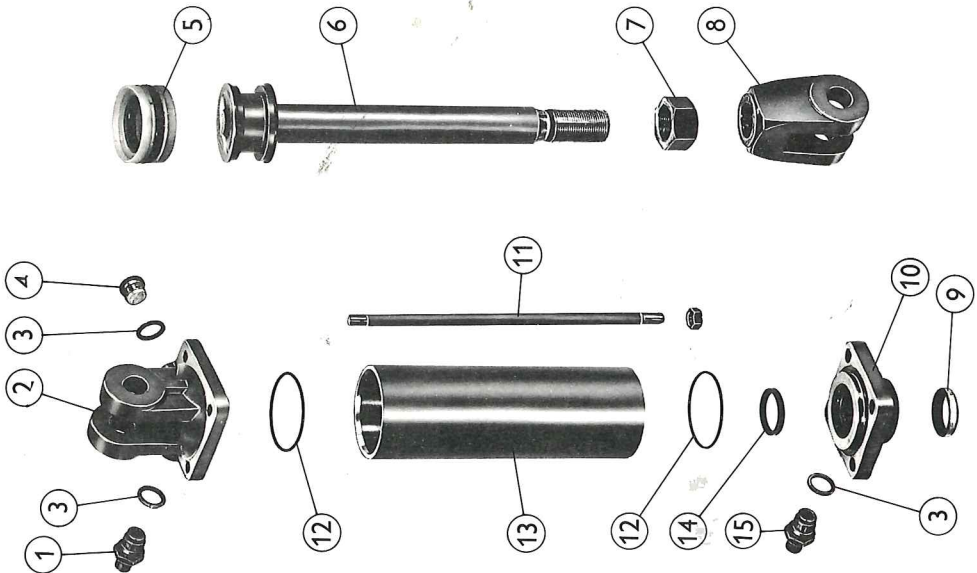
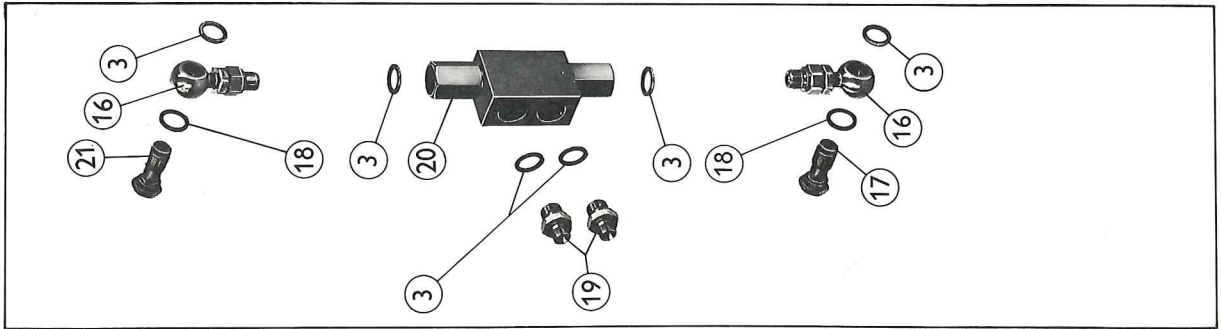
Ill. no.	Part no.	Description
1	03 13 40	Set-screw M8x40mm
2	05 61 56	Cap
3	01 07 75	O-ring
4	01 12 66	Circlip
5	05 61 12	Disc-coupler plain, bare 18"
6	05 61 14	Disc-coupler plain 20"
7	06 61 02	Bearing with needle
8	06 06 24	Bearing cpl.(comprising diag. no. 1, 3, 4 and 6-9
9	01 07 72	Rubber ring for bearing
10	02 99 20	Shaft Ø30mm w/01 12 92 mount.
11	06 61 40	Grease nipple M8x1mm
15	07 61 08	Stem for disc-coupler R.H. 18" H 700mm
16	06 61 40	Stem for disc-coupler R.H. 20" H 800mm
17	06 61 42	Stem for disc-coupler L.H. 18" H 700mm
18	07 61 09	Stem for disc-coupler L.H. 20" H 800mm
25	03 17 30	Bolt M20x30mm without nut
26	03 17 40	Bolt M20x40mm without nut for Excentric nut
	06 61 70	Securing bracket
	06 61 90	Stop journal
	03 04 40	Bolt M12x40mm and nut
	06 61 78	Excenter (From 01.05.82)
	01 12 92	Ring (For shaft 06 61 08)

Hydraulic Cylinder BMV Ø 50 x 200 mm

Ill. no.	Part no.	Description
1	01 19 15	Packing
3	03 50 22	Bolt M10x50mm w/nut
4	35 22 60	Rod clevis
5	35 22 66	Piston rod with piston
6	01 15 73	Threaded coupling
7	01 21 02	Threaded coupling (1,0mm)
8	01 15 65	Ring
9	01 18 10	O-ring
10	35 22 58	Rod-cap
11	35 22 52	Clevis cap
12	35 22 80	Cylinder tube
13	35 22 90	Tie rod and nut
14	01 19 09	Packing
15	01 19 52	Scraper seal
16	01 15 94	Plug
	01 19 45	Packing set



Hydraulic Cylinder Ø 75



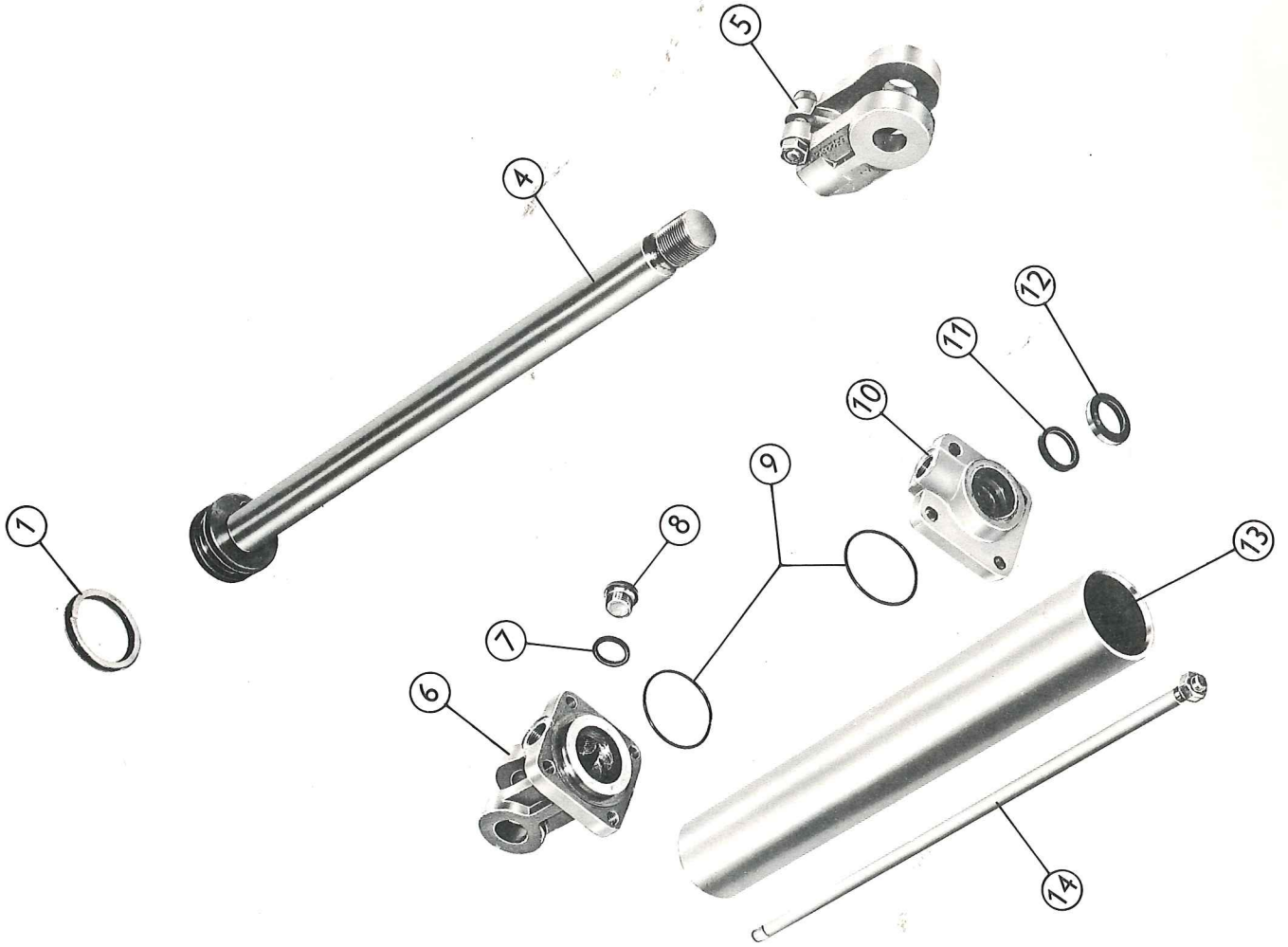
Ill. no.	Part no.	Description
1	01 21 03	Threaded coupling Ø1,4
2	35 21 61	Clevis cap
3	01 15 65	Ring
4	01 15 94	Plug
5	01 19 06	Packing
6	35 21 69	Piston rod
7	01 60 40	Nut
8	35 21 75	Rod clevis
9	01 19 11	Scraper seal
10	35 21 72	Rod cap
11	35 21 64	Tie rod w./nut Ø1,2
12	01 18 02	O-ring
13	35 21 66	Cylinder tube
14	01 19 50	Packing
15	01 21 02	Threaded coupling Ø1,0
16	01 21 80	Banjo coupling
17	01 21 46	Threaded coupling Ø1,0
18	01 21 77	Ring
19	01 15 67	Threaded coupling
20	01 15 92	Lock valve
21	01 21 47	Threaded coupling Ø1,4
Not ill.	01 19 40	Packing set Ø75
	35 23 72	Cylinder cpl. without lock valve
	35 19 41	Cylinder cpl. with lock valve

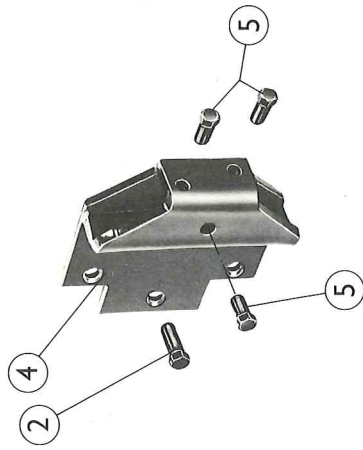
223A

223A

Hydraulic Cylinder Ø 75 x 400 mm

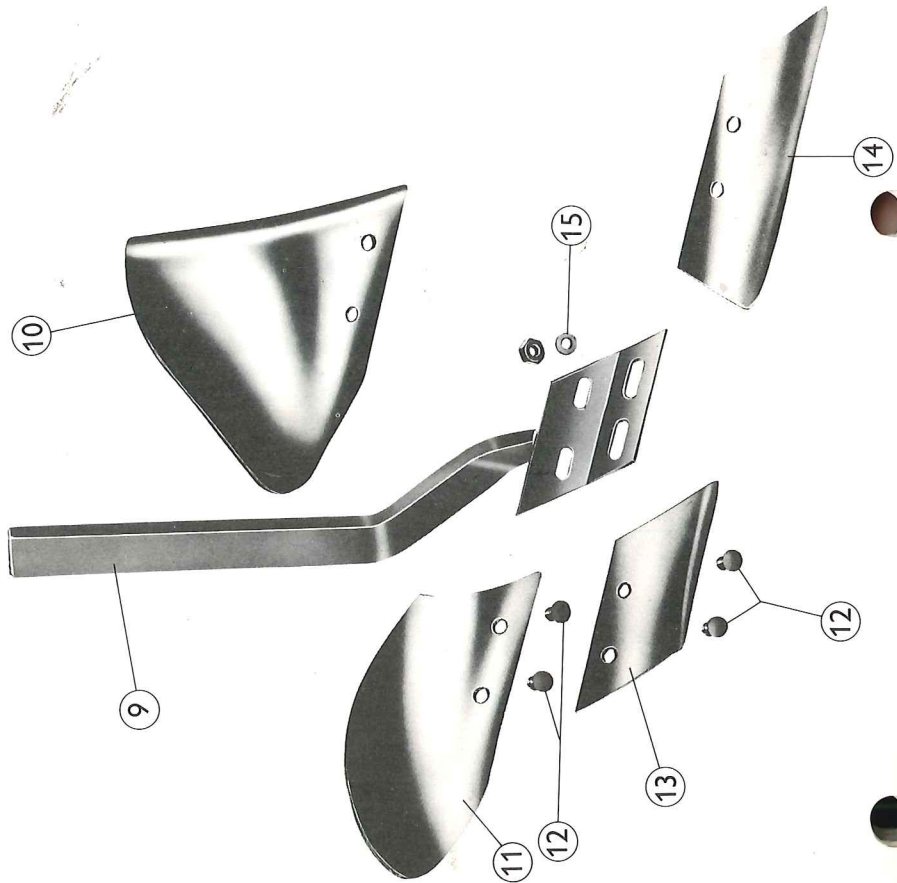
Ill. no.	Part no.	Description
1	01 19 06	Packing
4	35 21 87	Piston rod with piston
5	35 21 76	Rod clevis
6	35 21 61	Clevis cap
7	01 15 65	Washer
8	01 21 13	Plug
9	01 18 02	O-ring
10	35 21 72	Rod cap
11	01 19 50	Packing
12	01 19 11	Packing
13	35 21 86	Cylinder tube L. 454mm
14	35 22 95	Tie-rod and nut
No ill.	01 19 40	Packing-set opl. Ø75





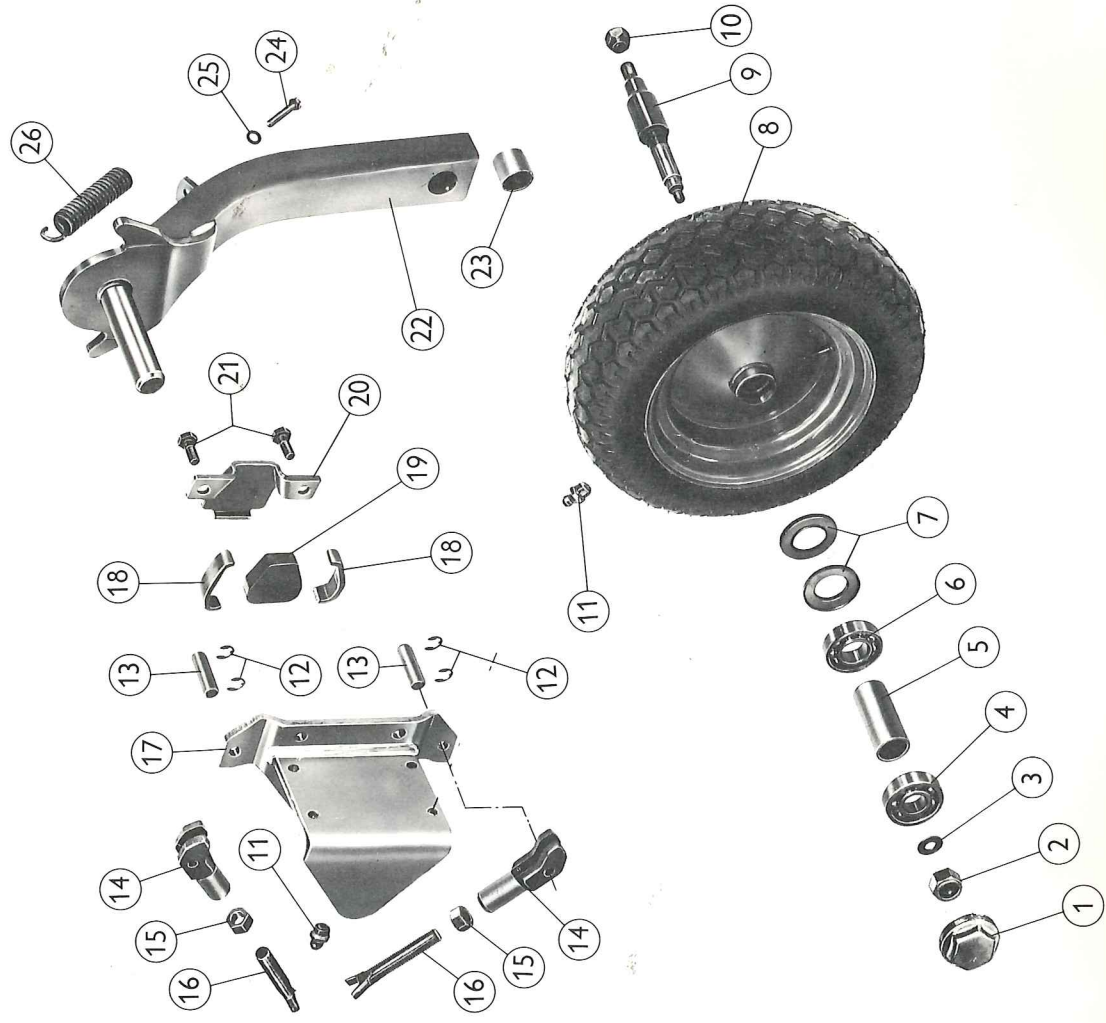
**Manure skimmer / Maize skimmer
Mod. 1986**

Ill. no.	Part no.	Description
2	03 42 28	Set-screw M16x32mm
4	07 06 39	Bracket w/ set-screw 03 42 28 (Mod. LB-LC, LD-LE, LG-LH, LF-LM)
5	03 42 28	Set-screw M16x32mm
9	07 68 17	Arm R.H. H 700mm (Mod. LB-LC, LD-LE, LG-LH, LF-LM)
	07 68 18	Arm L.H. H 700mm (Mod. LB-LC, LD-LE, LG-LH, LF-LM)
	07 68 25	Arm R.H. H 800mm (Mod. LB-LC, LD-LE, LG-LH, LF-LM)
	07 68 26	Arm L.H. H 800mm (Mod. LB-LC, LD-LE, LG-LH, LF-LM)
10	07 68 12	Maize mouldboard R.H.
	07 68 13	Maize mouldboard L.H.
11	06 68 80	Mouldboard R.H.
	06 68 81	Mouldboard L.H.
12	03 30 06	Bolt M10x30mm w/ nut
13	05 68 73	Share short R.H.
	06 68 73	Share short L.H.
14	06 68 68	Share long R.H.
	06 68 69	Share long L.H.
15	01 29 06	Washer Ø25/10,5x3,4mm

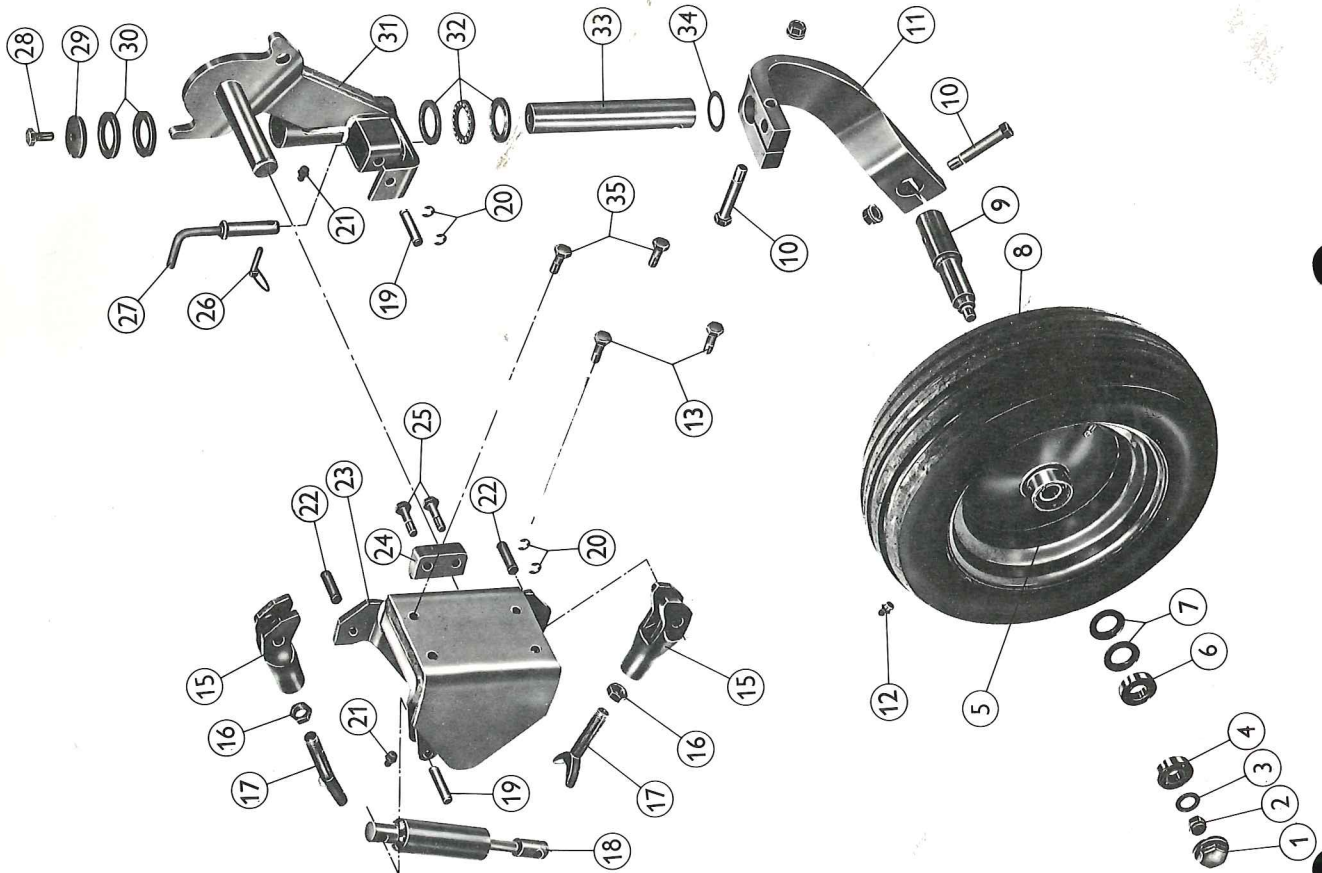


Depth-Wheel mod. LF-LM

Ill. no.	Part no.	Description
1	01 11 57	End cap
2	01 60 10	Nut M16
3	01 29 27	Washer Ø34-17mm
4	01 12 00	Ball-bearing 6206
5	01 00 31	Spacing tube L. 67,2mm
6	01 12 31	Ball-bearing 6305
7	01 08 06	Packing (Supplied as pair)
8	01 13 03	Rubber tyre LP200x14,5-6
	01 13 46	Rubber tyre LP26"-12x12
	01 13 05	Tube for LP200x14,5
	01 13 49	Tube for LP26"x12x12
	01 13 31	Centre for LP200x14,5
	01 13 47	Centre for LP26"x12x12
	01 13 64	Rubber wheel cpl. with axle and bearing LP200x14,5
	01 13 65	Rubber wheel cpl. with axle and bearing LP26"x12x12
9	06 42 22	Axle for wheel LP200x14,5
	06 42 23	Axle for wheel LP26"x12x12
10	01 60 37	Nut M30
11	02 99 20	Grease nipple
12	01 12 72	Circlip
13	01 04 61	Pin Ø16 L. 47mm
14	06 40 30	Stop
15	01 58 32	Nut M20
16	06 40 36	Stop screw
	06 40 39	Stop cpl. (Comprising 14-16 mount)
17	06 40 75	Support
18	06 40 86	Lock for dimmer resistance
19	06 40 87	Dimmer resistance
20	06 40 78	Bracket for dimmer resistance
21	03 27 40	Bolt M16x40mm w/nut 01 58 25
22	06 40 81	Depth-wheel arm for H 700mm
	06 40 74	Depth-wheel arm for H 800mm
23	06 40 73	Spacing tube
24	03 36 70	Bolt M12x70mm full threaded
25	01 29 19	Washer Ø23-12,5 T. 3,2mm
26	06 40 89	Spring
	06 04 75	Depth-wheel cpl. LP200"x14,5 H 700mm
	06 04 82	Depth-wheel cpl. LP200"x12x12 H 700mm
	07 04 19	Depth-wheel cpl. LP200"x14,5 H 800mm
	07 04 43	Depth-wheel cpl. LP200"x12x12 H 800mm



Combi transport/depth-wheel



Ill. no.	Part no.	Description
1	01 11 57	End-cap
2	01 60 00	Nut M20
3	01 29 34	Washer
4	01 12 00	Ball-bearing
5	01 13 79	Centre
6	01 05 17	Ball-bearing
7	01 11 68	Packing
8	01 13 03	Rubber tyre
9	01 13 05	Tube
10	07 40 80	Axle
11	03 51 78	Bolt M20x110mm w/nut
12	07 40 79	Axle support
13	02 99 20	Grease-nipple
14	03 27 45	Bolt M20x45mm w/nut
15	06 40 30	Clevis
16	01 58 32	Nut M20
17	06 40 36	Stop screw
18	06 40 39	Stop clevis cpl.
19	35 21 45	Shock absorber
20	01 04 64	Pin
21	01 12 72	Circlip
22	02 99 20	Grease nipple
23	01 04 61	Pin
24	07 40 60	Bearing
25	07 40 78	Location piece
26	03 27 60	Bolt M16x60mm w/nut
27	01 07 00	Pin M12
28	07 40 65	Lock pin
29	03 27 35	Bolt M16x35mm
30	01 29 24	Washer Ø70/16,5x10mm
31	06 82 51	Thrust-washer
32	07 40 70	Transport/depth-wheel
33	01 07 49	Ball-bearing SKF-51210
34	07 86 08	Pin Ø50x284mm
	01 29 55	Washer Ø70/50,5x1mm
	07 04 91	Combi transport/depth-wheel