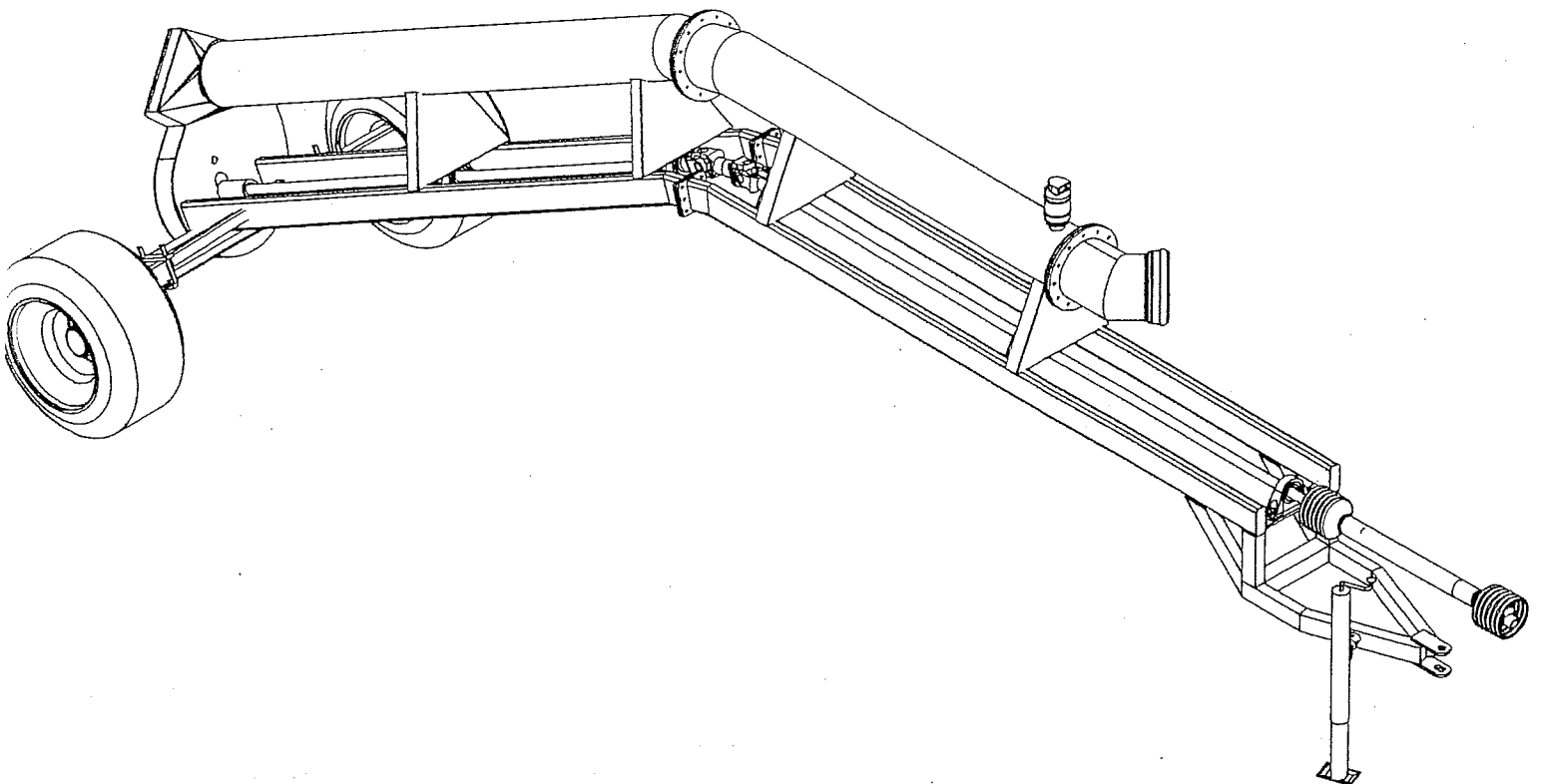


Manufacturing Company, Inc.

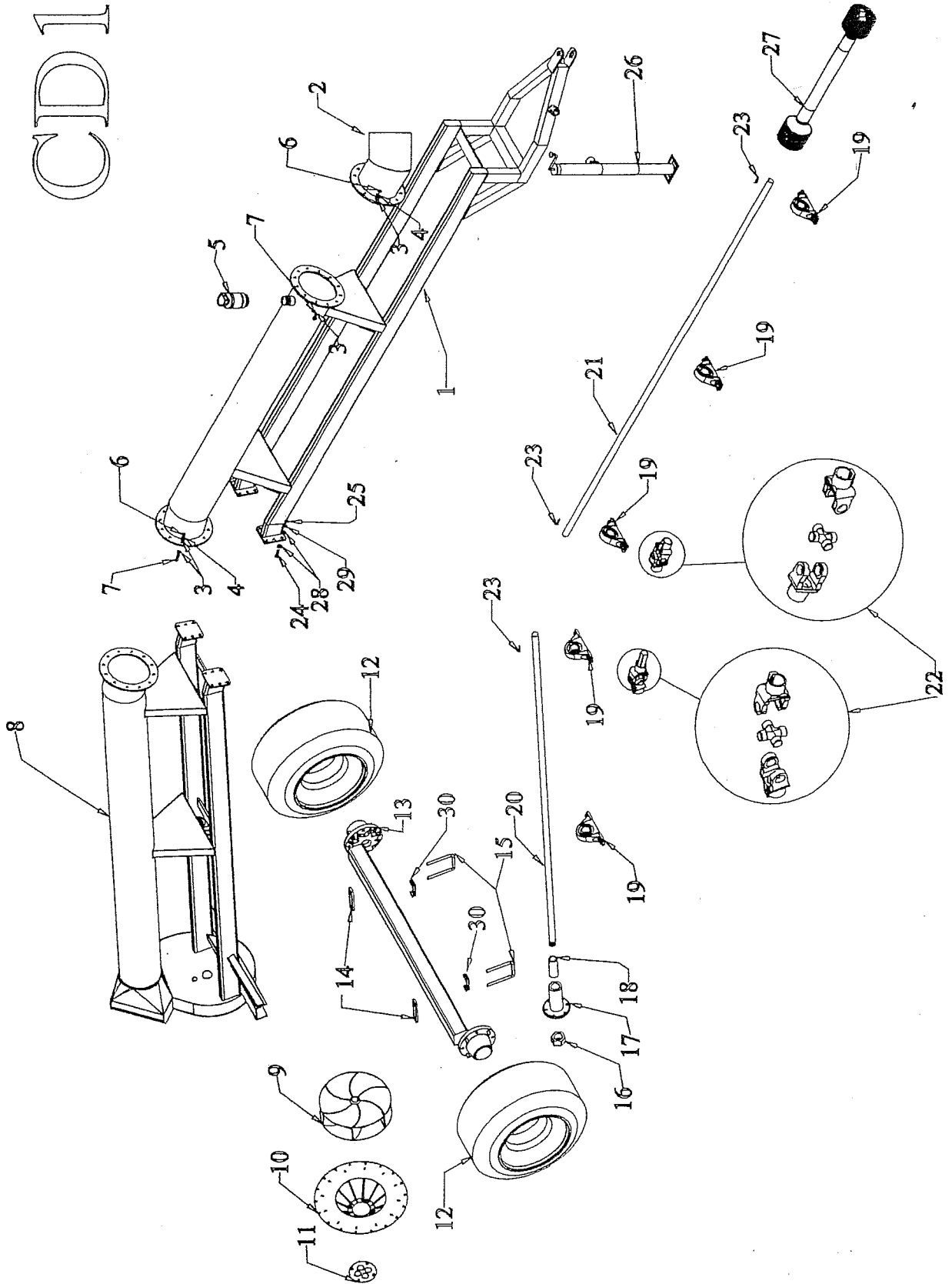
CD16H-F

SERIAL \_\_\_\_\_



CD16H-F			
REF#	DESCRIPTION	QTY	PART#
1	Assembly, Front Pump	1	CD16HF
2	Elbow 16" 45 Deg.	1	MFP01003-45
3	Washer, Flat 3/8" SS	72	5WSHFLT38S
4	Washer, Lock 3/8" SS	36	5WSHLOCK38S
5	Vent, 2" Air	1	5PMP04801000
6	Nut, 3/8" Brs	36	5NUT38HXBRS
7	Bolt, 3/8"x 1-3/4"	36	5BLT38134NCHXS
8	Assembly, Rear Pump	1	CD16HR
9	Impeller, 17"	1	MFP06020
10	Strainer, Intake	1	MPU002633
11	Plate, Outer Strainer Intake	1	MPU002500
12	Wheel Tire, 760x15	2	5WHLF1037410053311
13	Axle	1	MPU01005
14	Clamp, Axle	2	MFG000771
15	U-Bolt 5/8" x 6-1/2" x 4-3/4"	2	5BLT58612434
16	Nut 1-1/2" LH	1	5NUT11/2-10LHBRZ
17	Holder, Flanged Marine Bearing	1	MPU002587
18	Bearing 2"x3"x8" Marine	1	5BRG2x3x8
19	Bearing, 2"	4	5BRGUCPL211-32
20	Shaft, Rear Pump	1	MPU002495
21	Shaft, Front Pump	1	MPU002649
22	Assembly, Double Joint	1	PUJ01990
23	Key, Shaft	3	MFP02998
24	Bolt, 1/2"x 1-3/4"	12	5BLT12134NCHXS
25	Nut, 1/2" Brs	12	5NUT12HXBRS
26	Jack, Top Wind	1	5PORTWL158
27	PTO, 2"x 1-3/4 (20) 2500	✓	5UJT392689
27	PTO, 2"x 1-3/8 (21) 2500	✓	5UJT392686
27	PTO, 2"x 1-3/8 (6) 2500	✓	5UJT392688
28	Washer, Flat 1/2" SS	24	5WSHFLT12S
29	Washer, Lock 1/2" SS	12	5WSHLOCK12S
30	Channel, U-Bolt Spacer	2	MFG000714

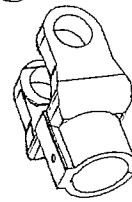
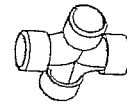
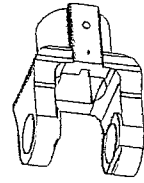
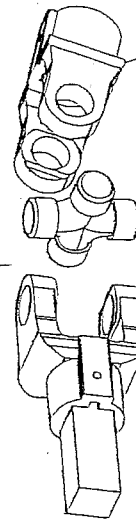
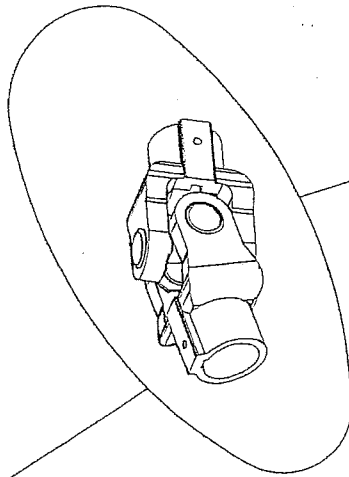
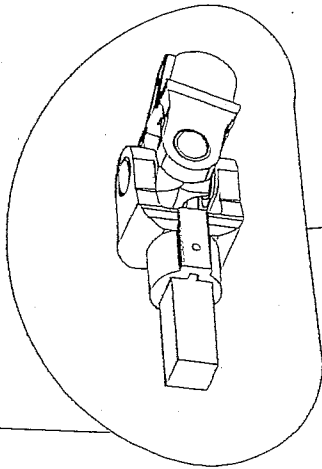
# CD16H



	PUJ01990	
22A	Yoke / W Shaft	1
22B	Yoke	2
22C	Universal Joint	2
22D	Yoke	1
		PUJ02006
		5UJT184-5532
		5UJT302-5500
		5UJT177-5500

MPU02020

MPU02021



22C 22B

22D 22A

22B 22C

CDH			
REF#	DESCRIPTION	QTY	PART NUMBER
17	Holder, Flanged Marine Bearing	1	MPU002587
17A	Bolt, 3/8"x 1-1/2" Plow	24	5BLTPL38112Z
17B	Washer 3/8" Flat	24	5WSHFLT38S
17C	Washer, 3/8" Lock	24	5WSHLOCK38S
17D	Nut, 3/8" Bronze	24	5NUT38HXBRS

