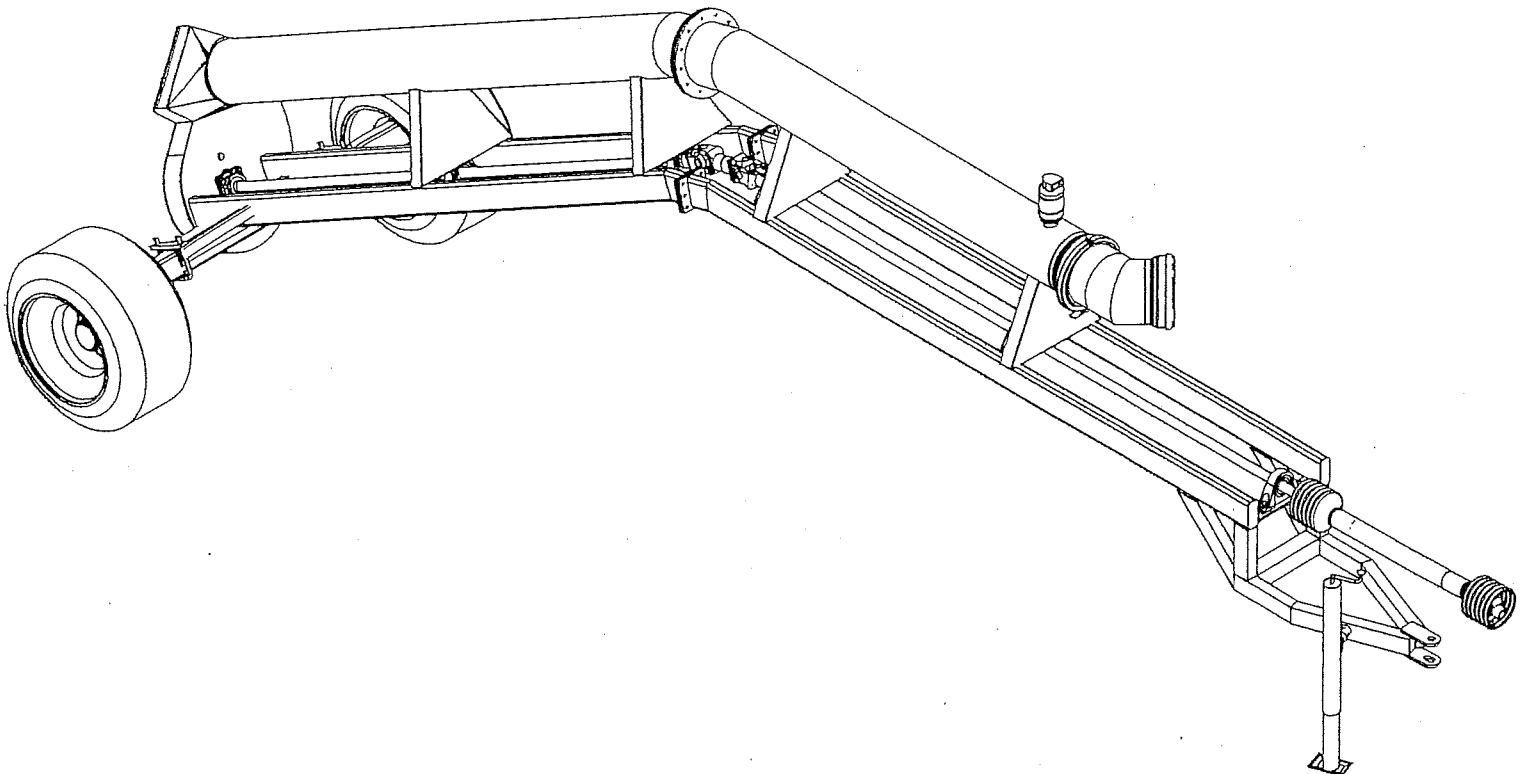


Manufacturing Company, Inc.

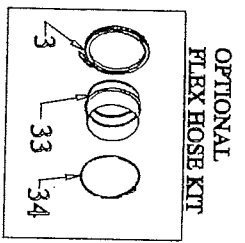
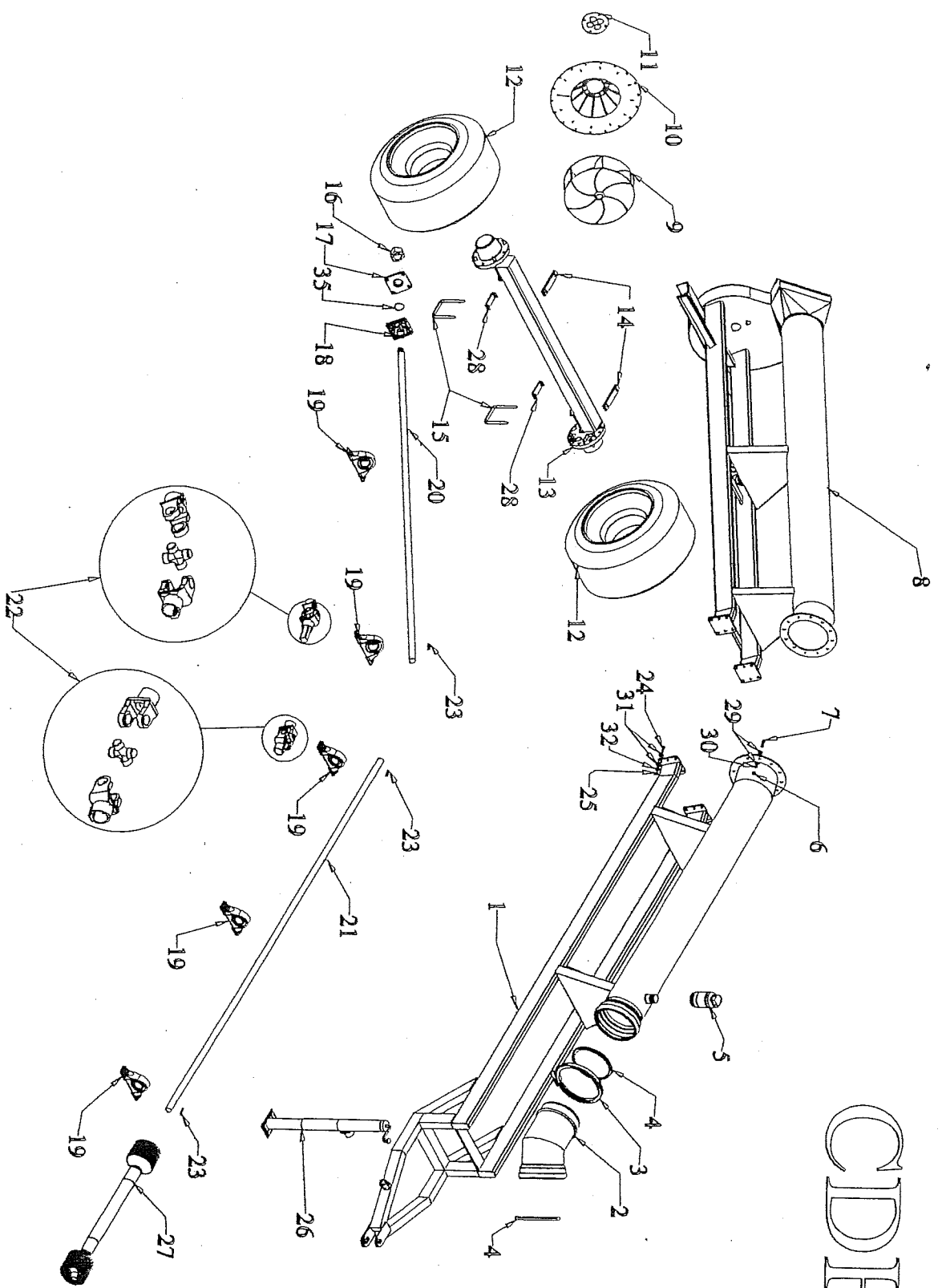
CD_H-K

SERIAL# _____



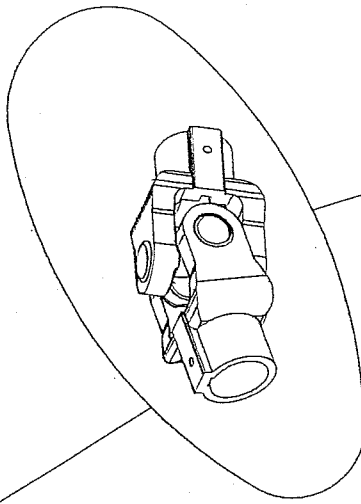
CD_H-K			CD8H-K			CD10H-K			CD12H-K		
REF#	DESCRIPTION	QTY	PART#	QTY	PART#	QTY	PART#	QTY	PART#	QTY	PART#
1	Assembly, Front Pump	1	CD8HF	1	CD10HF	1	CD12HF				
2	Elbow, 45 Deg.	1	MFP01396	1	MFP01397	1	MFP01398				
3	Lock, Circle Ring	1	5PMP2123-03	1	5PMP2123-04	1	5PMP2123-05				
4	Gasket, Rubber	2	5PMP1622-01	2	5PMP1624-01	2	5PMP1625-01				
5	Vent, 2" Air	1	5PMP04801000	1	5PMP04801000	1	5PMP04801000				
6	Nut, 3/8" Brs	12	5NUT38HXBRS	12	5NUT38HXBRS	12	5NUT38HXBRS				
7	Bolt, 3/8"x 1-3/4"	12	5BLT38134NCHXS	12	5BLT38134NCHXS	12	5BLT38134NCHXS				
8	Assembly, Rear Pump	1	CD8HR	1	CD10HR	1	CD12HR				
9	Impeller, 14"		MFP06007		MFP06007						
9	Impeller, 15-1/2"		MFP06011		MFP06011		MFP06015				
9	Impeller, 17"		MFP06006		MFP06010		MFP06014				
9	Impeller, 19-1/2 "		MFP06005		MFP06009		MFP06013				
10	Strainer, Intake	1	MPU002546	1	MPU002558	1	MPU002535				
11	Plate, Outer Strainer Intake	1	MPU002500	1	MPU002500	1	MPU002500				
12	Wheel Tire, 760x15	2	5WHLF1037410053311	2	5WHLF1037410053311	2	5WHLF1037410053311				
13	Axle	1	MPU01005	1	MPU01005	1	MPU01005				
14	Clamp, Axle	2	MFG000771	2	MFG000771	2	MFG000771				
15	U- Bolt 5/8" x 6-1/2" x 4-3/4"	2	5BLT58612434	2	5BLT58612434	2	5BLT58612434				
16	Nut 1-1/2" LH	1	5NUT11/2-10LHBRZ	1	5NUT11/2-10LHBRZ	1	5NUT11/2-10LHBRZ				
17	Plate, Seal	1	MPU002573	1	MPU002573	1	MPU002573				
18	Greased, Bearing	1	5BRG0578-99	1	5BRG0578-99	1	5BRG0578-99				
19	Bearing, 2"	4	5BRGUCPL211-32	4	5BRGUCPL211-32	4	5BRGUCPL211-32				
20	Shaft, Rear Pump	1	MPU002495	1	MPU002495	1	MPU002495				
21	Shaft, Front Pump	1	MPU002649	1	MPU002649	1	MPU002649				
22	Assembly, Double Joint	1	PUJ01990	1	PUJ01990	1	PUJ01990				
23	Key, Shaft	3	MFP02998	3	MFP02998	3	MFP02998				
24	Bolt, 1/2"x 1-3/4"	12	5BLT12134NCHXS	12	5BLT12134NCHXS	12	5BLT12134NCHXS				
25	Nut, 1/2" Brs	12	5NUT12HXBRS	12	5NUT12HXBRS	12	5NUT12HXBRS				
26	Jack, Top Wind	1	5PORTWL158	1	5PORTWL158	1	5PORTWL158				
27	PTO, 2"x 1-3/4 (20) 2500		5UJT392689		5UJT392689		5UJT392689				
27	PTO, 2"x 1-3/8 (21) 2500		5UJT392686		5UJT392686		5UJT392686				
27	PTO, 2"x 1-3/8 (6) 2500		5UJT392688		5UJT392688		5UJT392688				
28	Channel, U-Bolt Spacer	2	MFG000714	2	MFG000714	2	MFG000714				
29	Washer, Flat 3/8" SS	24	5WSHFLT38S	24	5WSHFLT38S	24	5WSHFLT38S				
30	Washer, Lock 3/8" SS	12	5WSHLOCK38S	12	5WSHLOCK38S	12	5WSHLOCK38S				
31	Washer, Flat 1/2" SS	24	5WSHFLT12S	24	5WSHFLT12S	24	5WSHFLT12S				
32	Washer, Lock 1/2" SS	12	5WSHLOCK12S	12	5WSHLOCK12S	12	5WSHLOCK12S				
	KIT, OPTIONAL FLEX HOSE		MPU002497		MPU002499		MPU002498				
3	Lock, Circle Ring	1	5PMP2123-03	1	5PMP2123-04	1	5PMP2123-05				
33	Coupler, Male	1	5PMP1676-04	1	5PMP1676-05	1	5PMP1676-06				
34	Clamp, Ring	1	5HOSDB08	1	5HOSDB10	1	5HOSDB12				
35	Seal, Tail Bearing	1	5SLS0200-8817H1L5	1	5SLS0200-8817H1L5	1	5SLS0200-8817H1L5				

CDDH

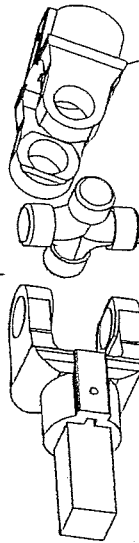
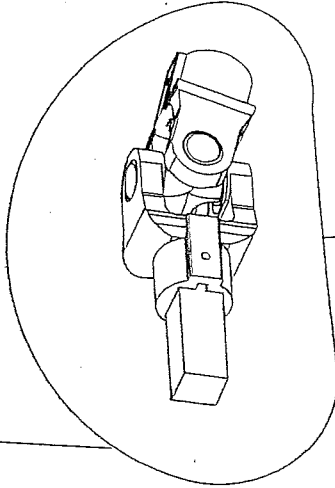


PUJ01990		PUJ02006	
22A	Yoke / W Shaft	1	
22B	Yoke	2	5UJT184-5532
22C	Universal Joint	2	5UJT302-5500
22D	Yoke	1	5UJT177-5500

MPU02020

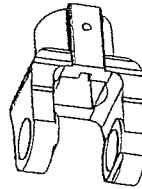


MPU02021

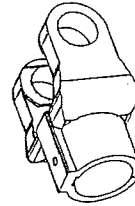
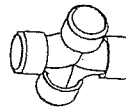


22C 22B

22D 22A



22B 22C



CDH-K			
REF#	DESCRIPTION	QTY	PART NUMBER
17	Plate, Seal	1	MPUD02573
17A	Washer 1/2" Flat	4	5WSHFLT12S
17B	Washer, 1/2" Lock	4	5WSHLOCK12S
17C	Nut, 1/2" Brs	4	5NUT12HXBRS
31	Seal, Tail Bearing	1	5SLS0200-8817H1L5
18	Greased, Bearing	1	5BRG0578-99
32	Bolt, 3/8"x 1-1/2" Plow	18	5BLTPL38112Z
32A	Washer 3/8" Flat	18	5WSHFLT38S
32B	Washer, 3/8" Lock	18	5WSHLOCK38S
32C	Nut, 3/8" Brs	18	5NUT38HXBRS

