

Herd SURE-FEED BROADCASTER

Herd
MODEL GT-77
REGULAR

Instructions for
ASSEMBLY, MOUNTING, BROADCASTING,
OPERATING and MAINTENANCE

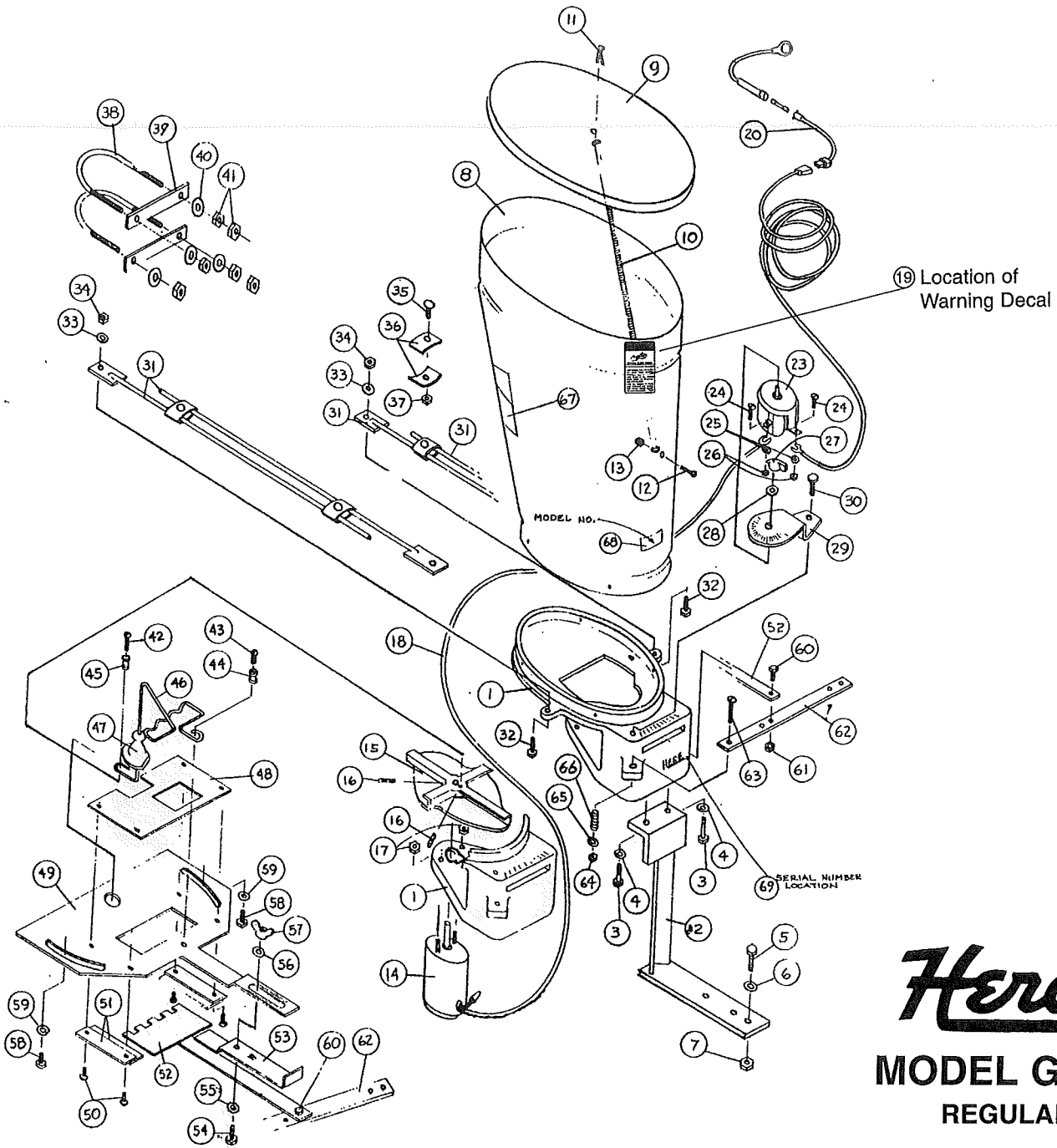
REPAIR PARTS LIST



HERD SEEDER COMPANY, INC.

www.herdseeder.com herdseeder@cqc.com

P.O. BOX 448
2383 SOUTH U.S. 35
LOGANSPORT, INDIANA 46947
219-753-6311
FAX: 219-722-4106



Herd

MODEL GT-77

REGULAR


WARNING DECAL — if missing from seeder call 219-753-6311 for free replacement



“CAUTION” KEEP HANDS, FINGERS AND LOOSE CLOTHING WELL AWAY FROM SPINNING FAN OR INJURY MAY RESULT.
 Disconnect power supply before making any adjustments or repairs to seeder.

WARNING DECAL

WARNING



SPINNING BLADES HAZARD

To Prevent Serious Personal Injury or Death:

- KEEP HANDS, FEET AND CLOTHING AWAY FROM SPINNING BLADES.
- STAY CLEAR OF ALL MOVING PARTS WHEN IN OPERATION. KEEP OTHERS AWAY.
- KEEP ALL GUARDS IN PLACE. STOP MACHINE AND DISCONNECT POWER BEFORE ADJUSTING, LUBE OR SERVICE. Part No.1051

FOR YOUR OWN RECORD FILL IN THE FOLLOWING:

Date Purchased _____

Serial Number _____

Purchased From _____

Model Number _____

**PARTS and ACCESSORIES for MODEL GT-77 BROADCASTER
SHOWN IN DRAWING**

When ordering parts, order by both part name and number (not drawing number). Always give Model number (located at No. 68 on drawing) and Serial number (located at No. 69 on drawing).

<u>DRAWING NUMBER</u>	<u>PART NUMBER</u>	<u>NAME OF PART</u>	<u>NUMBER REQUIRED</u>
1.	500	Grey-Iron Base for GT-77 (casting)	1
2.	511	Stand	1
3. & 4.	410A	Hex Head Capscrew - 1/2" x 1", with Lock Washer	2
5, 6, 7.	514	Hex Head Capscrew - 1/2" x 1-3/4"	1
8.	911	Hopper	1
9. & 11.	912	Lid and Cotter Key	1
10, 12, 13.	913	Lid Spring and Bolt, with Nut	1
14.	778	12-Volt Motor	1
15.	501	Fan, 4-bladed, 5/16" Shaft Hole, with Stainless Steel Setscrews	1
16.	502	Socket Setscrew, S.S., - 1/4" x 5/16", for Fan	2
17.	779	Whiz Nut - Used on Motor	2
19.	1091	WARNING Decal - If missing call 219-753-6311 for free replacement.	1
20.	812	Complete Wiring Assembly (20 Amp Fuse)	1
23 thru 30	813	Rheostat complete with Bracket - for 12 V.	1
23 & 28.	818	Rheostat and Nut	1
27.	819	Knob for Rheostat	1
29.	820	Bracket for Rheostat	1
30.	107	Bracket Bolt - 1/4" x 1/2", with Washer	1
31.	512	Brace Rod - 5/16" Hole in End	4
32, 33, 34.	407	Hex Head Capscrew - 5/16" x 1", with Washer and Nut	2
35, 36, 37.	924	Brace Rod Clamp, Complete	2
38, 39, 40, 41.	513	U-Bolt Assembly, complete with 3 Nuts and 1 Washer	2
42.	781	Round-head Machine Screw, Left-Hand Thread - Used to bolt bronze bushing to Fan	1
43.	507	Round-head Machine Screw, St. St. - 3/16" x 3/8", with Washer	1
44. 45.	503	Bronze Agitator Bushing - Used on Fan & Pivot Plate	2
46.	209	Agitator - Stainless Steel	1
47.	508L	Nipple - Used on Agitator	1
48.	517	Blocking Plate - Optional (Must be purchased separately)	1
49.	802S	Pivot Plate - Stainless Steel	1
50.	510	Round-head Machine Screw, St. St. - 3/16" x 3/8"	4
51.	509	Guide Assemblies for Seed Gate (1 Set Consists of 2) - Stainless Steel	2 sets
52.	504	Opening Plate with Connecting Linkage - St. St.	1
53.	803S	Opening Gauge Control Plate - Works with Pivot Plate 802S Stainless Steel	1
54, 55, 56, 57.	515	Whiz Lock Bolt, St.St. - 1/4" x 1/2", with Wing Nut and Washers	1
58, 59.	516	Hex Head Capscrew, St.St. - 1/4" x 1/2", with Washer	2
60, 61.	505	Pan Head Bolt, St.St. - 1/4" x 1/2", with Locking Nut	1
62.	792	Control Handle	1
63, 64, 65.	806	Machine Screw - 3/16" x 1-3/4", with Nut & Washer	1
66.	807	Compression Spring - Used on Handle Bolt	1
67.	831	"Herd Sure-Feed Broadcaster" Decal	1
68.	210	Model Number Decal (Model GT-77)	1
69.		Serial Number Location on Parts Drawing	

521

Garden Tractor Mnt