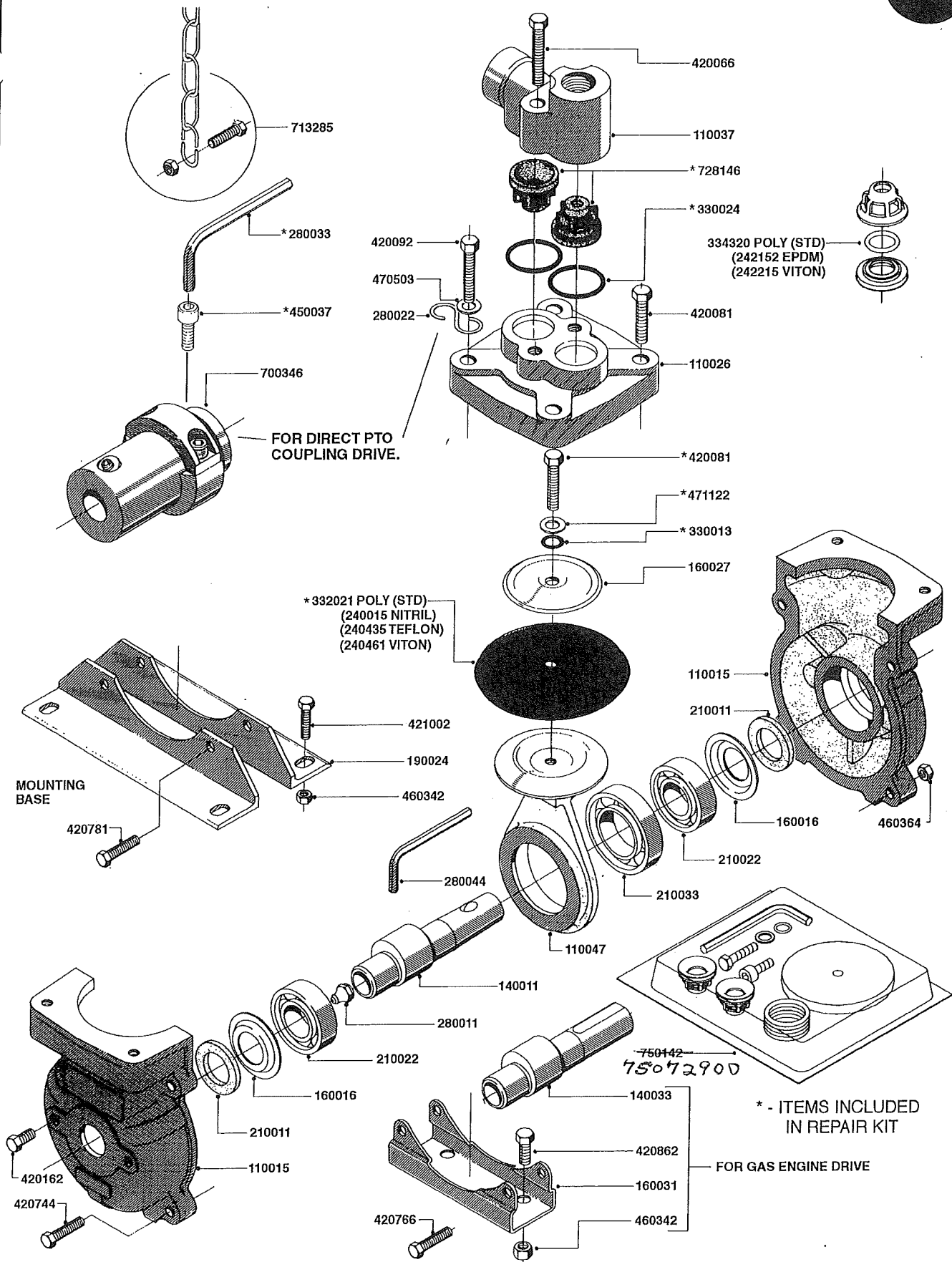


# PUMP - 500

**HARDI**



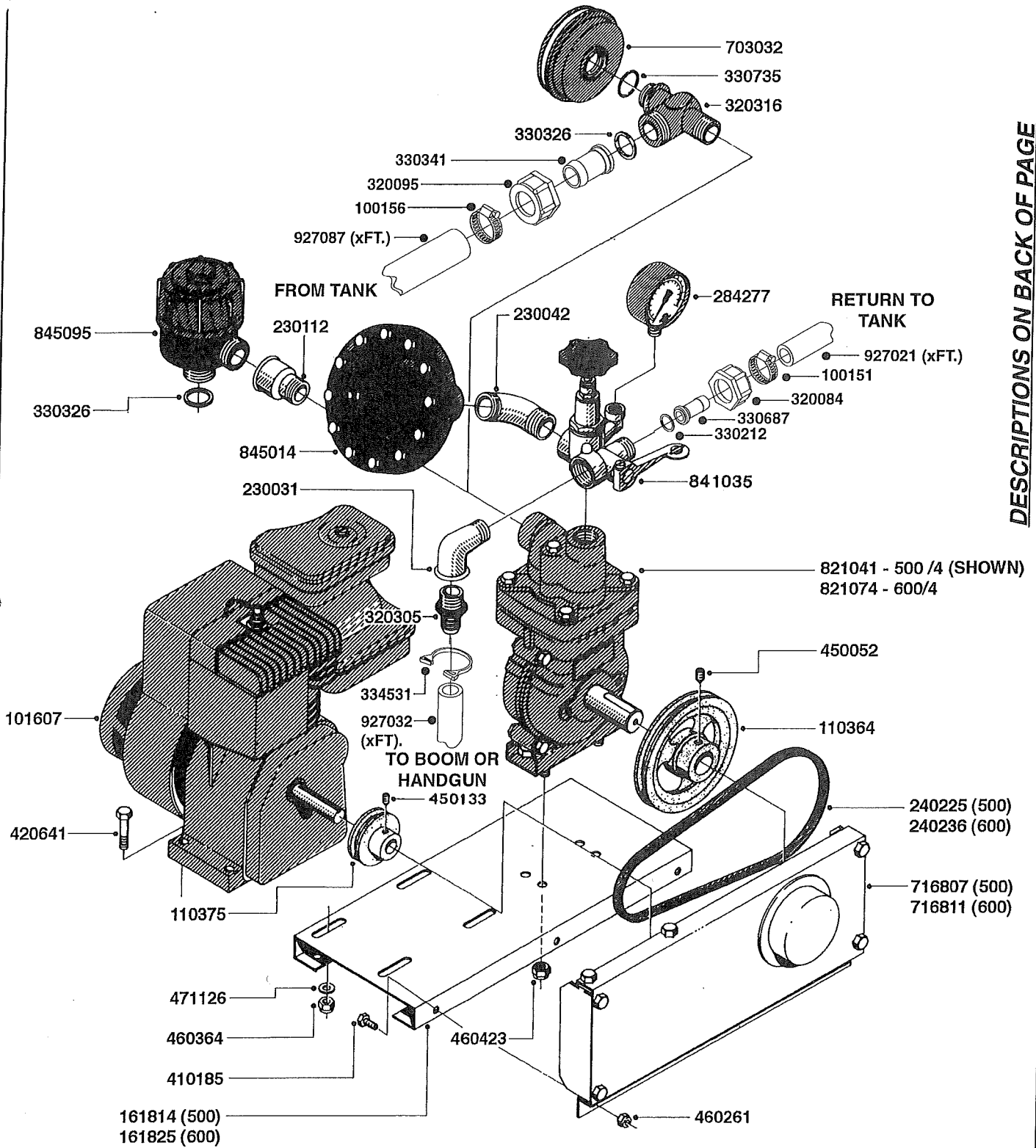
DESCRIPTIONS ON BACK OF PAGE



# PUMP - 500

ITEM #	DESCRIPTION
110015	PUMP HOUSING MODEL 500 PAINTED.....
110026	DIAPHRAGM COVER MODEL 500.....
110037	VALVE CHAMBER MOD 500 PAINTED.....
110047	CONNECTING ROD MODEL 500-600.....
140011	CRANK SHAFT MODEL 500.....
140033	CRANK SHAFT,MODEL 500/4.....
160016	DUST PLATE.....
160027	DIAPHRAGM UPPER DISC 500-600.....
160031	BASE PLATE MODEL 500-600.....
190024	ANGLE IRON FOOT, MODEL 500-600.....
210011	SÉAL FELT D40/25X4.....
210022	BEARING BALL 6205.....
210033	BEARING BALL 6007.....
240015	DIAPHRAGM MODEL 500-600 NITRIL.....
240435	DIAPHRAGM MODEL 500-600 TEFLON....
240461	DIAPHRAGM MODEL 500-600 VITON.....
242152	O-RING D18.2X3 EPDM.....
242215	O-RING D18X3 VITON.....
280011	GREASE NIPPLE 1/8" H TR.....
280022	S-HOOK.....
280033	KEY HEXAGON W9/16"6".....
280044	KEY HEXAGON W6 3/16".....
330013	O-RING D15/D10X2.5 F.3/8"NUT.....
330024	O-RING D41,1/D34.5 X 3,5.....
332021	DIAPHRAGM MODEL 500-600 POLY.....
334320	O-RING D18X3 POLYURETHANE.....
420066	BOLT HEX 8.8 DEL 3/8"X50MM.....
420081	BOLT HEX 8.8 DEL 3/8"X40MM.....
420092	BOLT HEX 8.8 RAW 3/8"X45MM.....
420162	BOLT HEX 8.8 DEL 3/8"x15MM.....
420744	BOLT HEX 8.8 DEL M8X40.....
420766	BOLT HEX 8.8 DEL M8X45.....
420781	BOLT HEX 8.8 DEL M8X50.....
420862	BOLT HEX 8.8 DEL M10X15 FT.....
421002	BOLT HEX 8.8 DEL M10X30 FT.....
450037	BOLT ROUND 3/8"X1" BLACK.....
460342	NUT HEX M10.....
460364	NUT HEX M8 GALV.....
470503	WASHER D18/D10X2.....
471122	WASHER D20/D10.5X2.....
700346	COUPLING 1-3/8 X 25.....
713285	LOCKIN CHAIN WITH BOLT AND NUT.....
728146	VALVE FOR 361(726890/707932).....
750142	PUMP KIT F.500.....

# PUMP - 500/600 W/ B&S 3HP



DESCRIPTIONS ON BACK OF PAGE



# PUMP - 500/600 W/ B&S 3 HP

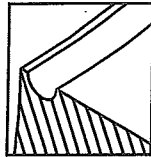
ITEM #	DESCRIPTION
100151	CLAMP HOSE GEAR 1/2" HS8.....
100156	CLAMP HOSE GEAR 1" HS16.....
101607	ENG.B&S 3HP 91202 TP0017-01.....
110364	VEE BELT PULLEY S-118-1 02 H7.....
110375	VEE BELT PULLEY,S50-1-5/8H7".....
161814	MOUNT PLATE.....
161825	PUMP BASE.....
230031	ELBOW 3/4" GF92LZ.....
230042	ELBOW 3/4".....
230112	REDUCING NIPPLE 1"X3/4" GF 246.....
240225	VEE BELT S 34.....
240236	VEE BELT S 27.....
284277	GAUGE 2.5"SS BOTT.PSI200.....
320084	FITT.DK NUT 1/2" BSP.....
320095	FITT.DK NUT 1" BSP.....
320305	FITT.DK HB 3/4"- 3/4" BSP.....
320316	FITT.DK TEE 3/4" X3/4" X1"BSP.....
330212	O-RING D19/D14X2.4 F.1/2"NUT.....
330326	O-RING D30/D24X2 F.1"NUT.....
330341	FITT.DK HB 1" F. 1" NUT.....
330687	FITT.DK HB 1/2" F. 1/2" NUT.....
330735	O-RING D30/D26X2.....
334531	CLAMP HOSE PLASTIC 3/4".....
410185	BOLT HEX 8.8 DEL M6X13.....
420641	BOLT HEX 8.8 DEL M8X35.....
450052	SCREW SET M8X10 BLACK ALLAN.....
450133	SCREW SET M6X10 BLACK ALLAN.....
460261	NUT HEX M6X1 LOCK.....
460364	NUT HEX M8 GALV.....
460423	NUT HEX M10X1.5 LOCK.....
471126	WASHER D16/D8.4X1.6 SS.....
703032	SUCTION AIR BOTTLE 3/4" COMPL.....
716807	GUARD 500+500HT-BS/2 CPL.....
716811	GUARD.....
821041	PUMP 500-4.....
821074	PUMP 600 STROKE 4 MM.....
841035	OPER.UNIT BRASS F. 600 GAS MTR.....
845014	AIR BOTTLE COMPLETE HJ73.....
845095	FILTER COMPLETE.....
927021	HOSE R X 80 BAR X 1/2 X 0012".....
927032	HOSE R X 80 BAR X 3/4 X 0012".....
927087	HOSE R X PVC X 1 X 0012".....

# PUMP - 500 FITTINGS



### Housing for Black Diaphragm-

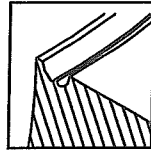
This groove on the lower housing of the Pressure Damper is for the **BLACK** diaphragm (240122). Never upgrade diaphragms to the **YELLOW** style unless you also upgrade Pressure Dampers to the housing style shown below.



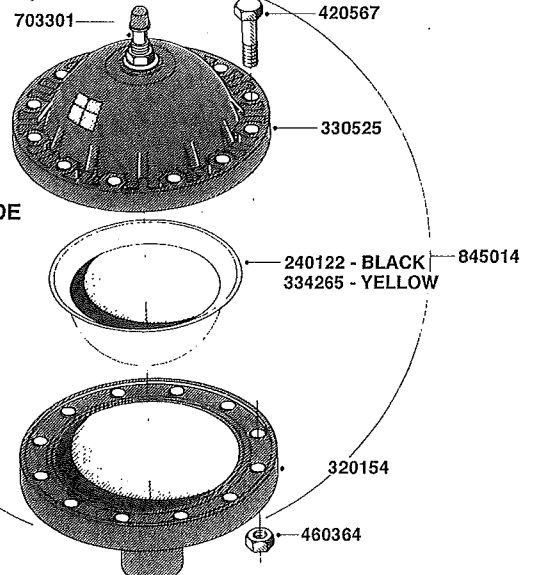
The **YELLOW** style diaphragm will not seal correctly in this housing.

### Housing for Yellow Diaphragm-

The groove on the lower housing of a the Pressure Damper is recognized by the extra lip on the bottom inside of the groove. For this style Pressure Damper, you need the **YELLOW** diaphragm (334265).



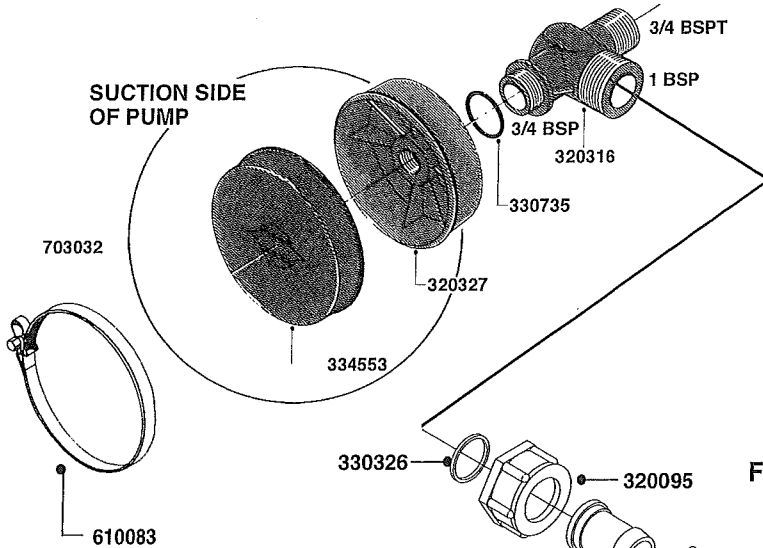
PRESSURE SIDE OF PUMP



#725970 COMPLETE DAMPER KIT (SUCTION & PRESSURE)

TO PUMP

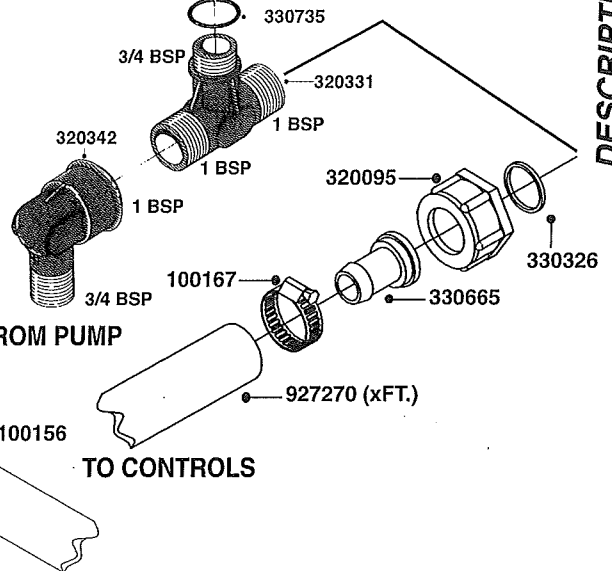
SUCTION SIDE OF PUMP



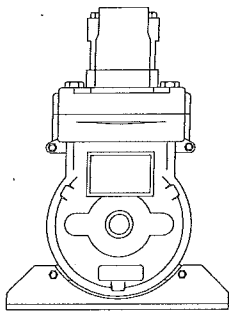
FROM PUMP

TO CONTROLS

FROM TANK



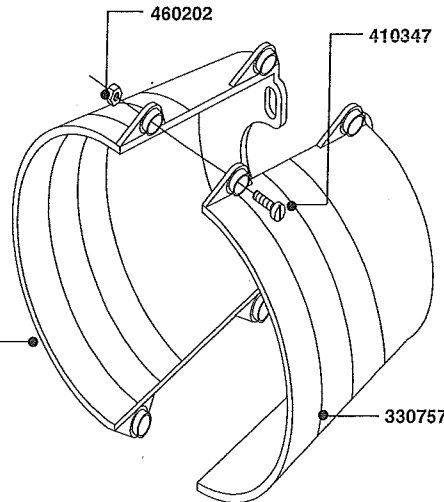
DESCRIPTIONS ON BACK OF PAGE



821015 500 W/COUPLER  
821037 500 W/ MOUNTING BASE  
821041 500 GAS DRIVEN

821618 503/4 Pump

COMPLETE ASSEMBLIES  
WHOLEGOODS ITEMS





# PUMP - 500 FITTINGS

ITEM #	DESCRIPTION
100156	CLAMP HOSE GEAR 1" HS16
100167	ADAPTOR ALU.SS4928
240122	DIAPHRAGM FOR PRES. DAMP.(EPDM)
320095	FITT.DK NUT 1" BSP
320154	AIR BOTTLE, BOTTOM PART
320316	FITT.DK TEE 3/4" X3/4" X1"BSP
320327	HOUSING F. SUCTION AIR BOTTLE
320331	FITT.DK TEE 1" - 1" - 3/4" BSP
320342	FITT.DK EL 3/4"M X 1"F BSP
330326	O-RING D30/D24X2 F.1"NUT
330341	FITT.DK HB 1" F. 1" NUT
330525	AIR BOTTLE, TOP HALF
330665	FITT.DK HB 3/4"F.1" NUT
330735	O-RING D30/D26X2
330746	GUARD PTO LOWER PART
330757	GUARD PTO UPPER PART
334265	DIAPHRAGM F. PRESS DAMP.NITRIL
334553	DIAPHRAGM F.SUCTION AIR BOTTLE
410347	SCREW M6X20 8.8
420567	BOLT HEX 8.8 DEL M8X30 FT
460202	NUT HEX M6
460364	NUT HEX M8 GALV.
610083	RET. BAND FOR SUCT. AIR BOTTLE
703032	SUCTION AIR BOTTLE 3/4" COMPL.
703301	VALVE FOR AIR BOTTLE
725970	DAMPER KIT 600
821015	PUMP 500 W COUPLER
821037	PUMP 500 W FOOT
821041	PUMP 500-4
845014	AIR BOTTLE COMPLETE HJ73
927087	HOSE R X PVC X 1 X 0012"
927270	HOSE R X PVC X 3/4 X 0012"