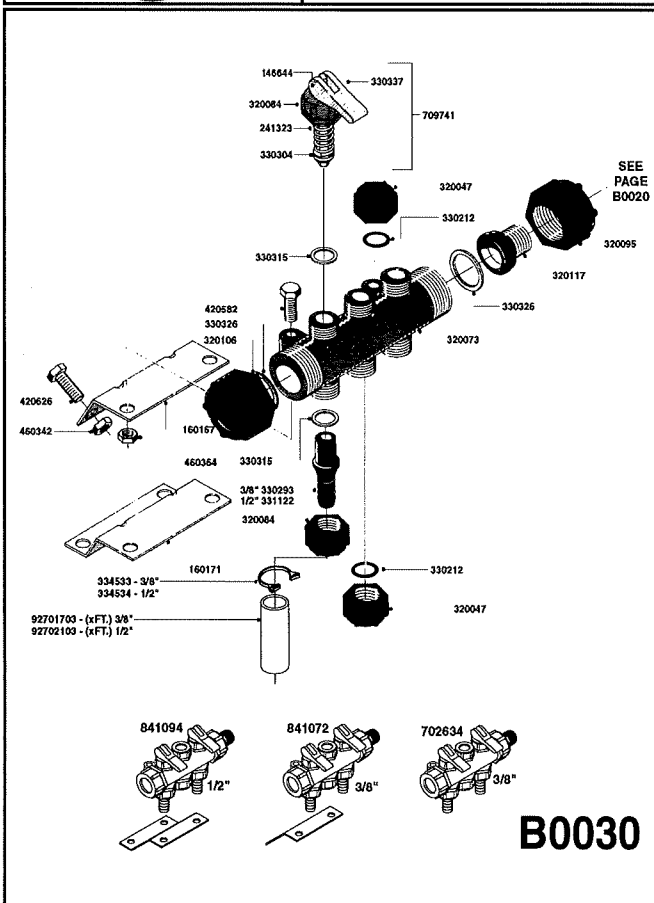


parts-n°	order qty	description
146644	1	PIN D3X19 STAINLESS
160167	1	MOUNTING PLATE LP
160171	1	MOUNTING PLATE NK
241323	1	O-RING D5.3X2.4 NITRIL
320047	1	FITT.DK CAPNUT 1/2" BSP
320073	1	DISTRIBUTOR HOUSING 1/2"
320084	1	FITT.DK NUT 1/2" BSP
320095	1	FITT.DK NUT 1" BSP
320106	1	FITT.DK CAPNUT 1" BSP
320117	1	FITT.DK CONN.1/2"BSP F. 1" CAP
330212	1	O-RING D19/D14X2.4 F.1/2"NUT
330293	1	VALVE SEAT WITH 3/8" HOSE TAIL
330304	1	VALVE CONE D14
330315	1	O-RING D18.4/D13X.6
330326	1	O-RING D30/D24X2 F.1"NUT
330337	1	HANDLE F. FLIP VALVE
331122	1	VALVE SEAT WITH 1/2" HOSE TAIL
334533	1	CLAMP HOSE PLASTIC 3/8"
334534	1	CLAMP HOSE PLASTIC 1/2"
420582	1	BOLT HEX 8.8 DEL M8X20 FT A2
420626	1	BOLT HEX 8.8 DEL M10X20 FT
460342	1	NUT HEX M10 DEL DIN934



parts-n°	order qty	description
460364	1	NUT HU M8 A2 SS DIN934
702634	1	DIST.HOUSING ASSEMBLY(2-VALVE)
709741	1	VALVE ASSY. 1/2" FLIP LEVER
841072	1	DISTRIBUT. VALVE 1/2" NK
841094	1	DISTRIBUT. VALVE 1/2" LP,BL
92701703	1	HOSE R X3/8" X300PSI WP X0012"
92702103	1	HOSE R X1/2" X300PSI WP X0012"