

A0010



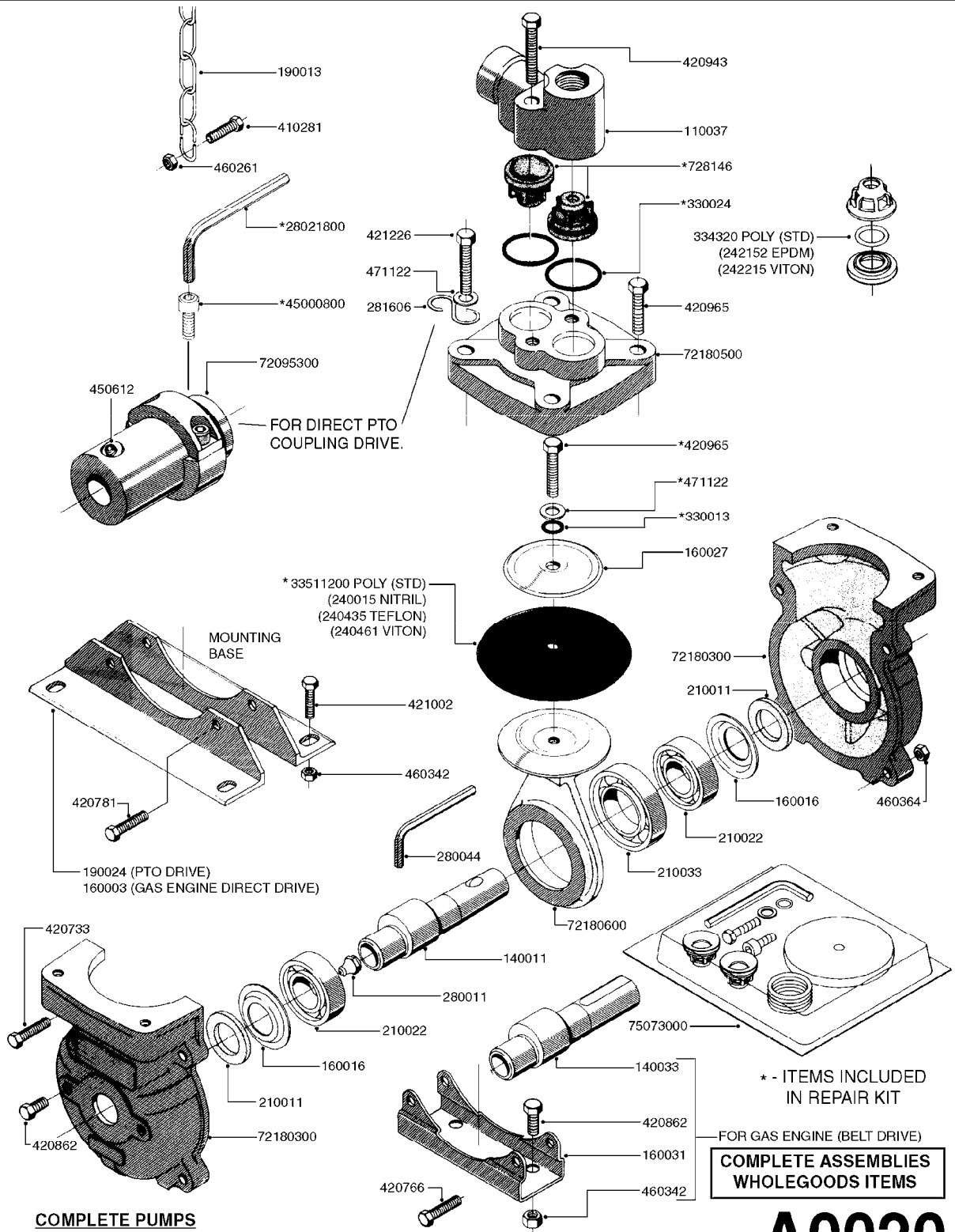
PUMP - 500
A0010-HIN, 01:01:16

Page 1
Date 16.03.2016 10:35

parts-n°	order qty	description
110037	1	VALVE CHAMBER MOD 500 PAINTED
140011	1	CRANK SHAFT MODEL 500
140033	1	CRANK SHAFT,MODEL 500/4
160003	1	PUMP MOUNT PLATE TALL 500/600
160016	1	DUST PLATE
160027	1	DIAPHRAGM UPPER DISC 500-600
160031	1	BASE PLATE MODEL 500-600
190013	1	CHAIN 35XL=800
194839	1	ANGLE IRON FOOT, M 500-600 RED
210011	1	SEAL FELT D39/23 X 4
210022	1	BEARING BALL 6205
210033	1	BEARING BALL 6007
240015	1	DIAPHRAGM MODEL 500-600 NITRIL
240461	1	DIAPHRAGM MODEL 500-600 VITON
242152	1	O-RING D18.2X3 EPDM
242215	1	O-RING D18X3 VITON
280011	1	GREASE NIPPLE 3/8' SAE H TR
280033	1	KEY HEXAGON W9 5/16"
280044	1	KEY HEXAGON W6 3/16'
281606	1	S-HOOK GALVANIZED
330013	1	O-RING D15/D10X2.5 F.3/8"NUT
330024	1	O-RING D41,1/D34.5 X 3,5
334320	1	O-RING D18X3 POLYURETHANE
410281	1	BOLT HEX 8.8 DEL M6X25 DIN933 A2
420066	1	BOLT HEX 8.8 DEL 3/8"X50MM
420081	1	BOLT HEX 8.8 DEL 3/8"X40MM
420092	1	BOLT HEX 8.8 RAW 3/8"X45MM
420162	1	BOLT HEX 8.8 DEL 3/8"x15MM
420744	1	BOLT HEX 8.8 DEL M8X40
420766	1	BOLT HEX 8.8 DEL M8X45
420781	1	BOLT HEX 8.8 DEL M8X50
420862	1	BOLT HEX 8.8 DEL M10X16 FT
420965	1	M10X40 MACHINE SCREW STAINLESS
421002	1	BOLT HEX 8.8 DEL M10X30 FT DIN933
450037	1	BOLT ROUND 3/8'X1' BLACK
450612	1	SCREW M10X16 POINTED
460261	1	NUT HEX M6X1 LOCK A2 DIN985
460342	1	NUT HEX M10 DEL DIN934
460364	1	NUT HEX M8 GALV.
471122	1	WASHER, M10, Ø20/10.5X 2.0, SS
728146	1	VALVE FOR 361(726890/707932)
33511200	1	DIAPHRAGM 500-603 PUR 2006
72095300	1	COUPLING 1-3/8' X 25, PAINTED
72180300	1	PUMP HOUSING 503 RED W/BOLTS
72180500	1	DIAPHRAGM COVER 503 W/BOLTS
72180600	1	CONNECTING ROD FOR 503-603 M10
75072900	1	PUMP KIT 500 "06"



PUMP - 503
A0020-HIN, 01:01:16



COMPLETE PUMPS
821617 - PUMP ONLY
10521303 - WITH PTO & DAMPER

A0020



PUMP - 503
A0020-HIN, 01:01:16

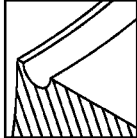
Page 1
Date 16.03.2016 10:35

parts-n°	order qty	description
110037	1	VALVE CHAMBER MOD 500 PAINTED
140011	1	CRANK SHAFT MODEL 500
140033	1	CRANK SHAFT,MODEL 500/4
160003	1	PUMP MOUNT PLATE TALL 500/600
160016	1	DUST PLATE
160027	1	DIAPHRAGM UPPER DISC 500-600
160031	1	BASE PLATE MODEL 500-600
190013	1	CHAIN 35XL=800
190024	1	ANGLE IRON FOOT, MODEL 500-600
210011	1	SEAL FELT D39/23 X 4
210022	1	BEARING BALL 6205
210033	1	BEARING BALL 6007
240015	1	DIAPHRAGM MODEL 500-600 NITRIL
240435	1	DIAP alts 332021PUR,240015NITR
240461	1	DIAPHRAGM MODEL 500-600 VITON
242152	1	O-RING D18.2X3 EPDM
242215	1	O-RING D18X3 VITON
280011	1	GREASE NIPPLE 3/8' SAE H TR
280044	1	KEY HEXAGON W6 3/16'
281606	1	S-HOOK GALVANIZED
330013	1	O-RING D15/D10X2.5 F.3/8"NUT
330024	1	O-RING D41,1/D34.5 X 3,5
334320	1	O-RING D18X3 POLYURETHANE
410281	1	BOLT HEX 8.8 DEL M6X25 DIN933 A2
420733	1	BOLT HEX 8.8 DEL M8X40
420766	1	BOLT HEX 8.8 DEL M8X45
420781	1	BOLT HEX 8.8 DEL M8X50
420862	1	BOLT HEX 8.8 DEL M10X16 FT
420943	1	BOLT HEX 8.8 DEL M10X50
420965	1	M10X40 MACHINE SCREW STAINLESS
421002	1	BOLT HEX 8.8 DEL M10X30 FT DIN933
421226	1	BOLT HEX 8.8 DEL M10X45
450612	1	SCREW M10X16 POINTED
460261	1	NUT HEX M6X1 LOCK A2 DIN985
460342	1	NUT HEX M10 DEL DIN934
460364	1	NUT HEX M8 GALV.
471122	1	WASHER, M10, Ø20/10.5X 2.0, SS
728146	1	VALVE FOR 361(726890/707932)
821617	1	PUMP 503/7 W FOOT TAPERED SHAF
10521303	1	PUMP 500 C/W PTO 540 RPM
28021800	1	KEY HEXAGON 8MM FOR M10
33511200	1	DIAPHRAGM 500-603 PUR 2006
45000800	1	BOLT ROUND M10X25
72095300	1	COUPLING 1-3/8' X 25, PAINTED
72180300	1	PUMP HOUSING 503 RED W/BOLTS
72180500	1	DIAPHRAGM COVER 503 W/BOLTS
72180600	1	CONNECTING ROD FOR 503-603 M10
75073000	1	PUMP KIT 503 "06"



Housing for Black Diaphragm-

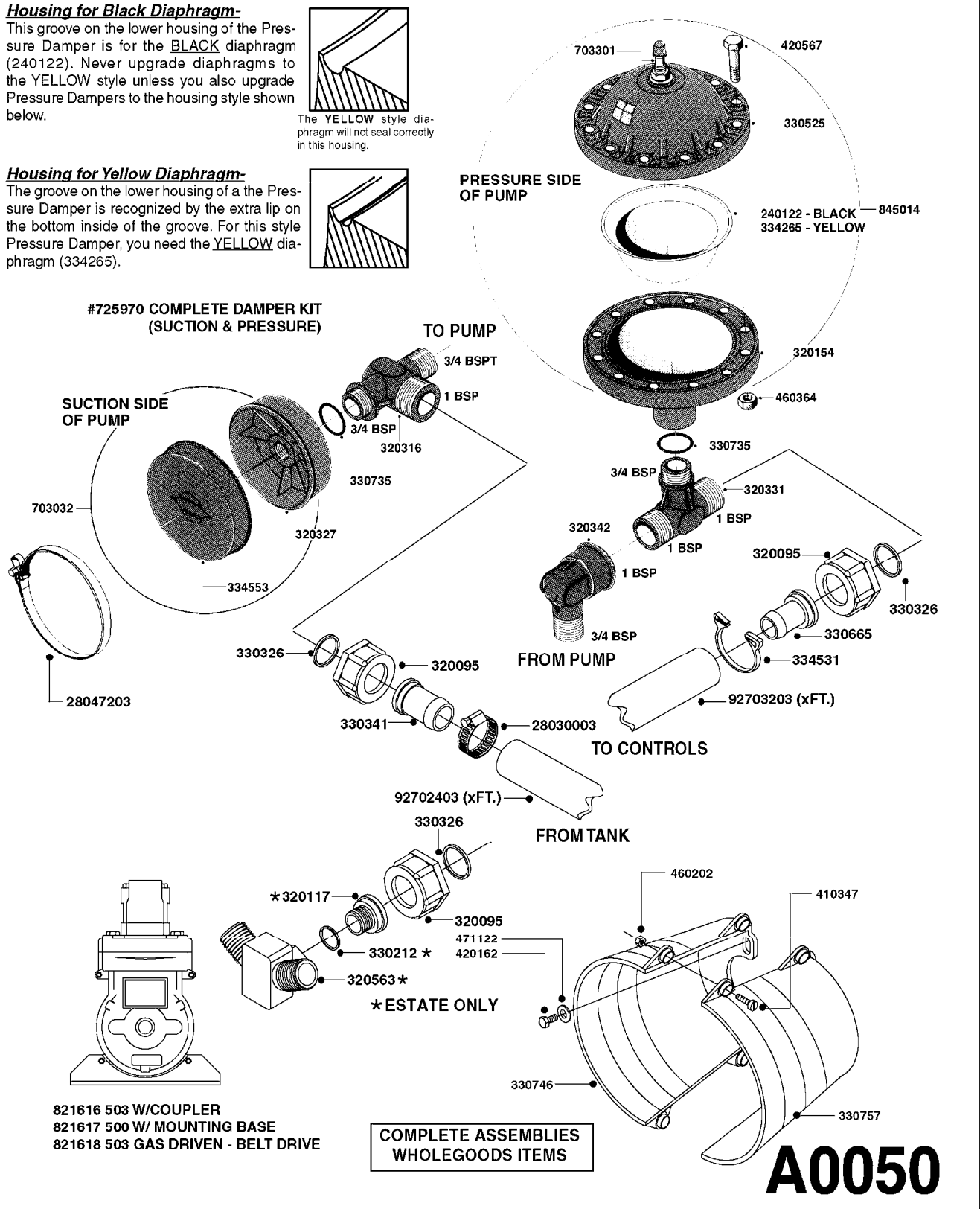
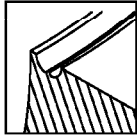
This groove on the lower housing of the Pressure Damper is for the **BLACK** diaphragm (240122). Never upgrade diaphragms to the **YELLOW** style unless you also upgrade Pressure Dampers to the housing style shown below.



The **YELLOW** style diaphragm will not seal correctly in this housing.

Housing for Yellow Diaphragm-

The groove on the lower housing of a the Pressure Damper is recognized by the extra lip on the bottom inside of the groove. For this style Pressure Damper, you need the **YELLOW** diaphragm (334265).



821616 503 W/COUPLER
821617 500 W/ MOUNTING BASE
821618 503 GAS DRIVEN - BELT DRIVE

COMPLETE ASSEMBLIES
WHOLEGOODS ITEMS

A0050



PUMP - 500 FITTINGS
A0050-HIN, 01:01:16

Page 1
Date 16.03.2016 10:35

parts-n°	order qty	description
240122	1	DIAPHRAGM FOR PRES.DAMP.(EPDM)
320095	1	FITT.DK NUT 1" BSP
320117	1	FITT.DK CONN.1/2"BSP F. 1" CAP
320154	1	AIR BOTTLE, BOTTOM PART
320316	1	FITT.DK TEE 3/4" X3/4" X1"BSP
320327	1	HOUSING F. SUCTION AIR BOTTLE
320331	1	FITT.DK TEE 1" - 1" - 3/4" BSP
320342	1	FITT.DK EL 3/4"M X 1"F BSP
320563	1	FITT.DK 3 WAY 1/2" 110 DEG.
330212	1	O-RING D19/D14X2.4 F.1/2"NUT
330326	1	O-RING D30/D24X2 F.1"NUT
330341	1	FITT.DK HB 1" F. 1" NUT
330525	1	AIR BOTTLE, TOP HALF
330665	1	3/4' HOSE TAIL F/1' CAP
330735	1	O-RING D30/D26X2
330746	1	GUARD PTO LOWER PART SHORT
330757	1	GUARD PTO UPPER PART SHORT
334265	1	DIAPHRAGM F. PRESS DAMP.NITRIL
334531	1	CLAMP HOSE PLASTIC 3/4"
334553	1	DIAPHRAGM F.SUCTION AIR BOTTLE
410347	1	SCREW M6X20 8.8
420162	1	BOLT HEX 8.8 DEL 3/8"x15MM
420567	1	BOLT HEX 8.8 DEL M8X30 FT
460202	1	NUT HEX M6
460364	1	NUT HEX M8 GALV.
471122	1	WASHER, M10, Ø20/10.5X 2.0, SS
703032	1	SUCTION AIR BOTTLE 3/4" COMPL.
703301	1	VALVE FOR AIR BOTTLE
725970	1	DAMPER KIT 600
821616	1	PUMP 503/7 W COUPLER
821617	1	PUMP 503/7 W FOOT TAPERED SHAF
821618	1	PUMP 503/4 800RPM STRIGHT SHAF
845014	1	AIR BOTTLE COMPLETE HJ73
28030003	1	CLAMP HOSE GEAR P1" 6716
28047203	1	CLAMP HOSE GEAR 60 X 80 6756
92702403	1	HOSE PVC SUCT GRAY 1"
92703203	1	HOSE R X3/4" X300PSI WP X0012"