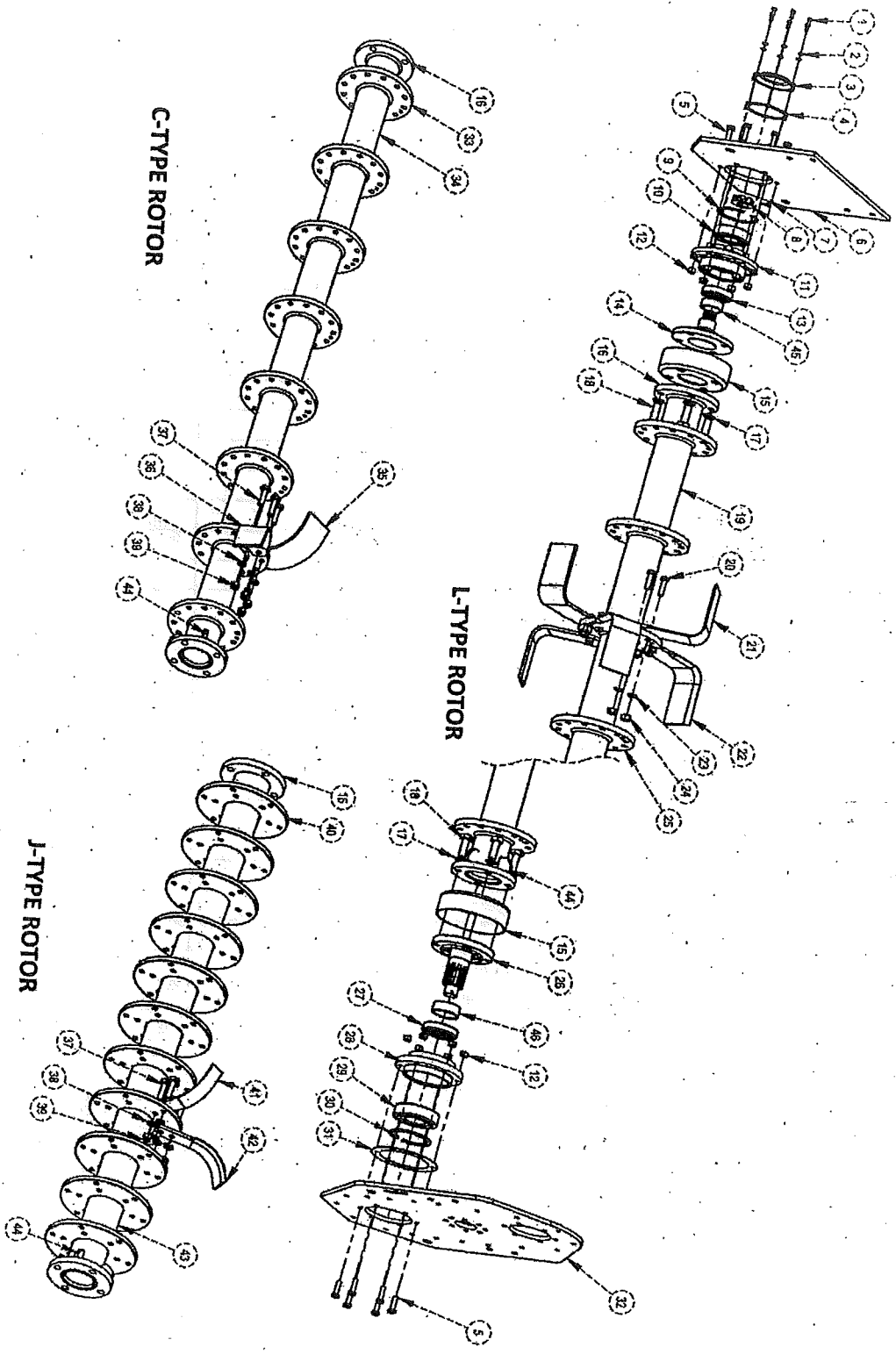


SIDE PLATE & ROTOR ASSEMBLY

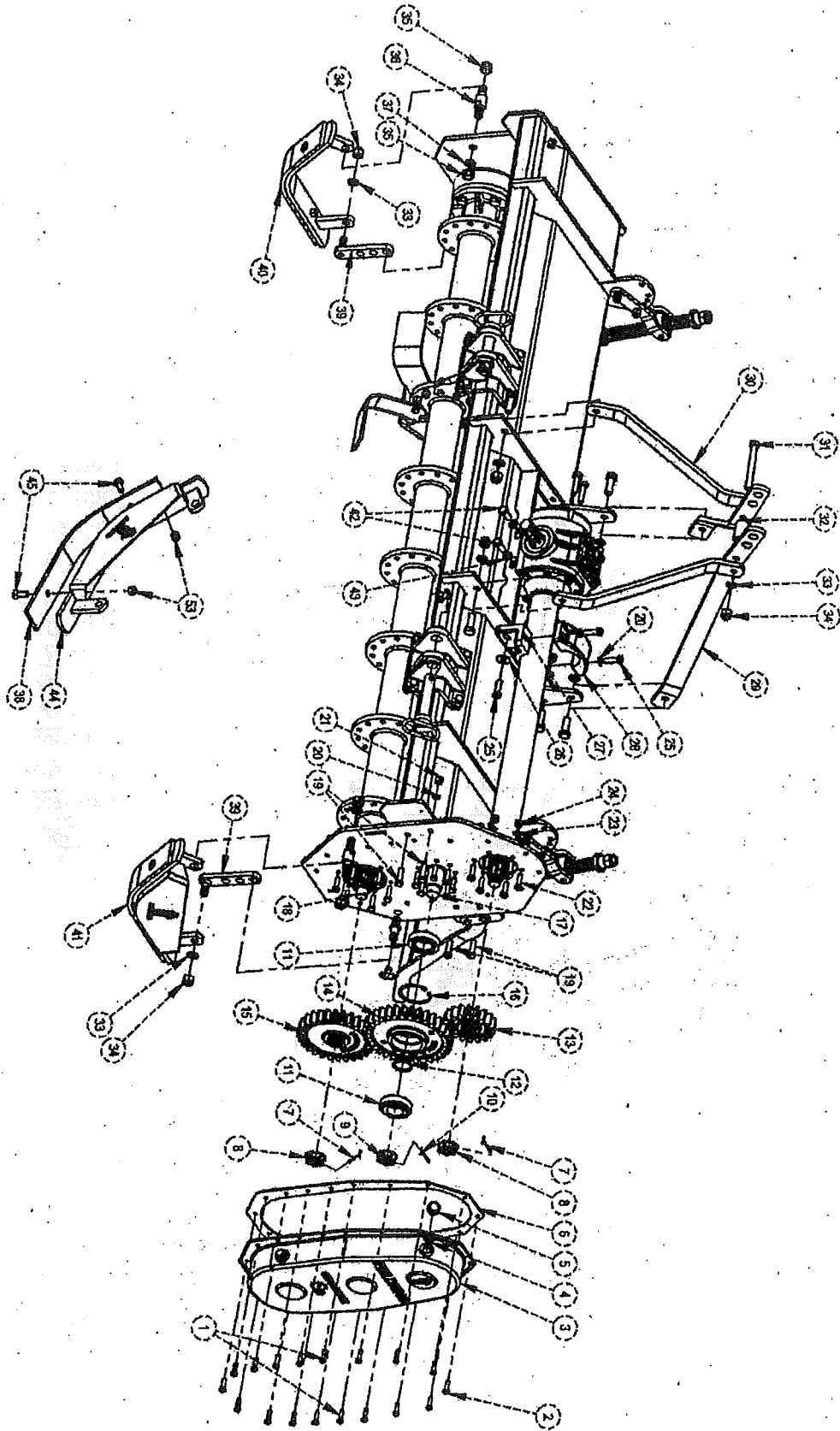
SR. NO.	DESCRIPTION	PART CODE		
		L TYPE	C-TYPE	J-TYPE
1.	HEX HEAD BOLT M6X1P	10260181		
2.	SPRING WASHER M6	10270033		
3.	DEAD HUB CAP NEW	FKRT-155		
4.	GASKET DEAD HUB	FKRT 428		
5.	HEX HEAD BOLT M10X1.5PX35	10260053		
6.	SIDE PLATE LHS NEW	FKRT-145		
	SIDE PLATE LHS (CHAIN TYPE) NEW	FKRT-459		
	SIDE PLATE LHS CHAIN TYPE (MEDIUM DUTY) NEW	FKRT-484		
7.	SPLIT PIN 1/8	10020074		
8.	CASTEL NUT M30X1.5	10280012		
9.	CIRCLIP B90	10390006		
10.	BEARING 6308	10050015		
11.	DEAD HUB OIL SEAL NEW ROUND	FKRT-363		
12.	PLAN NUT M10X1.5	10280036		
13.	OIL SEAL 55X75X15	10010023		
14.	DEAD AXLE SHAFT NEW	FKRT-151		
15.	ROTOR COVER	FKRT-157		
16.	ROTOR SMALL FLANGE	FKRT-136		
17.	SPRING WASHER M16	10270005		
18.	HEX HEAD BOLT M16X1.5X35	10260015		
19.	L TYPE -ROTOR ASSEMBLY COMPLETE 2 MTR	FKRT-5045		
	L TYPE -ROTOR ASSEMBLY COMPLETE 1.75 MTR	FKRT-5044		
	L TYPE -ROTOR ASSEMBLY COMPLETE 1.5 MTR	FKRT-5043		
	L TYPE -ROTOR ASSEMBLY COMPLETE 1.25 MTR	FKRT-5042		
	L TYPE -ROTOR ASSEMBLY COMPLETE 1 MTR	FKRT-5041		
20.	BOLT M14X1.5X40	10260199		
21.	L-TYPE HOE LHS	FKRT-431		
22.	L-TYPE HOE RHS	FKRT-432		
23.	SPRING WASHER M14	10270004		
24.	NYLOCK NUT M14X1.5	10280004		
25.	ROTOR BIG FLANGE L-TYPE	FKRT-433		
26.	RD SHAFT - 10S	FKRT-263		
27.	OIL SEAL 65X85X18	10010003		
28.	RD HUB ROUND NEW	FKRT-273		
29.	BEARING 6310	10050045		
30.	CIRCLIP B110	10039008		
31.	RD HUB GASKET	FKRT-395		
32.	SIDE PLATE RHS GEAR TYPE NEW	FKRT-257		
	SIDE PLATE RHS 19-33-25 GEAR TYPE NEW	FKRT-256		
	SIDE PLATE RHS CHAIN TYPE NEW	FKRT-260		
	SIDE PLATE RHS CHAIN TYPE (MEDIUM DUTY) NEW	FKRT-483		
33.	ROTOR BIG FLANGE C- TYPE		FKRT-134	
	C TYPE-ROTOR ASSEMBLY 2.05 MTR		FKRT-5064	
	C TYPE-ROTOR ASSEMBLY 1.85 MTR		FKRT-5063	
34.	C TYPE-ROTOR ASSEMBLY 1.65 MTR		FKRT-5062	
	C TYPE-ROTOR ASSEMBLY 1.45 MTR		FKRT-5061	
35.	C TYPE HOE LHS		FKRT-142	
36.	C TYPE HOE RHS		FKRT-141	
37.	HEX HEAD BOLT M12X1.75X40		10260273	10260273
38.	SPRING WASHER M12		10270003	10270003
39.	NYLOCK NUT M12X1.75		10280025	10280025
40.	ROTOR BIG FLANGE J-TYPE			FKRT-486
41.	J-TYPE HOE LHS			FKRT-498
42.	J-TYPE HOE RHS			FKRT-497
	J-TYPE ROTOR ASSEMBLY COMPLETE 2 MTR			FKRT-5099
	J-TYPE ROTOR ASSEMBLY COMPLETE 1.75 MTR			FKRT-5098
43.	J-TYPE ROTOR ASSEMBLY COMPLETE 1.5 MTR			FKRT-5097
	J-TYPE ROTOR ASSEMBLY COMPLETE 1.25 MTR			FKRT-5096
	J-TYPE ROTOR ASSEMBLY COMPLETE 1 MTR			FKRT-5095
44.	ROTOR RIB	FKRT-131		
45.	DEAD SHAFT BUSH	FKRT-299		
46.	RD SHAFT BUSH	FKRT-297		

SIDE PLATE & ROTOR ASSEMBLY



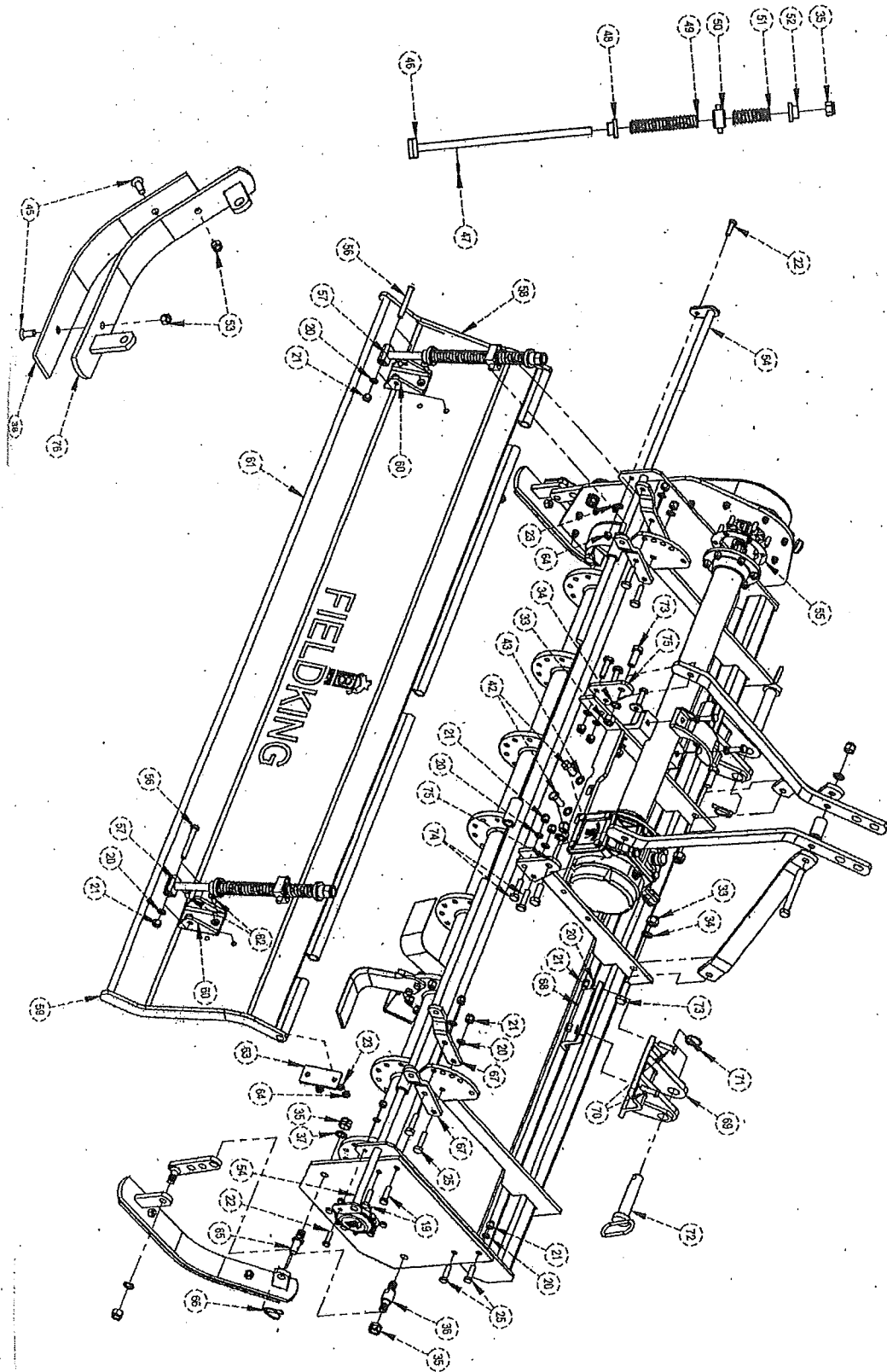
ROTARY TILLER COMPLETE ASSEMBLY		
SR. NO.	DESCRIPTION	PART CODE
1.	HEX HEAD BOLT M8X40	10260002
2.	HEX HEAD BOLT M8X25	10260001
3.	GEAR COVER	FKRT-293
4.	BREATHER NUT 22X1.5	FKRT-183
5.	BREATHER VALVE	FKRT-184
6.	GASKET CHAIN/GEAR COVER	FKRT-294
7.	SPLIT PIN 1/8 2"	10020074
8.	CASTE NUT 30X1.5	10280012
9.	CASTE NUT 36X2	10280071
10.	SPLIT PIN 1/8 2.5 INCH	10020097
11.	BEARING 32209	10050036
12.	SPACER 45X4	FKRT-279
13.	SPUR GEAR 18-14S	FKRT-283
	SPUR GEAR 18-8S	FKRT-281
	SPUR GEAR 19-14S	FKRT-284
	SPUR GEAR 19-8S	FKRT-282
14.	SPUR GEAR Z33	FKRT-285
15.	SPUR GEAR 28-10S	FKRT-286
	SPUR GEAR 25-10S	FKRT-287
16.	CIRCLIP B85	10030013
17.	IDLER PIN	FKRT-277
18.	RD SHAFT NEW	FKRT-263
19.	HEX HEAD BOLT M12X1.75X35	10260028
20.	SPRING WASHER M12	10270003
21.	NYLOCK NUT M12X1.75	10280025
22.	HEX HEAD BOLT M10X1.5X35	10260053
23.	SPRING WASHER M10	10270002
24.	PLAN NUT M10	10280036
25.	HEX HEAD BOLT M 12X1.75X50	10260064
26.	PLAN WASHER M12	10270010
27.	TRANSMISSION PIPE CLAMP LOWER	FKRT-339
28.	TRANSMISSION PIPE CLAMP UPPER	FKRT-338
29.	REAR LEVER	FKRT-331
30.	FRONT LEVER	FKRT-330
31.	HEX HEAD BOLT M16X2X125	10260072
32.	BUSH	FKMODH-012
33.	SPRING WASHER M16	10270005
34.	NYLOCK NUT M16X2	10280005
35.	NYLOCK NUT M18X1.5P	10280006
36.	DEPTH SKID PIN-1	FKRT-165
37.	SPRING WASHER M18	10270006
38.	DEPTH SKID SUPPORT BEND STRIP LOWER	FKRT-159
39.	DEPTH SKID ADJUSTER	FKRT-160
40.	DEPTH SKID ASSEMBLY LHS	FKRT-5206
41.	DEPTH SKID ASSEMBLY RHS	FKRT-5103
42.	HEX HEAD BOLT M14X1.5X35	10260067
43.	SPRING WASHER M14	10270004
44.	DEPTH SKID UPPER STRIP ASSEMBLY RHS	FKRT-5238
45.	CSK BOLT M12X1.75X35	10260049

ROTARY TILLER ASSEMBLY



ROTARY TILLER COMPLETE ASSEMBLY

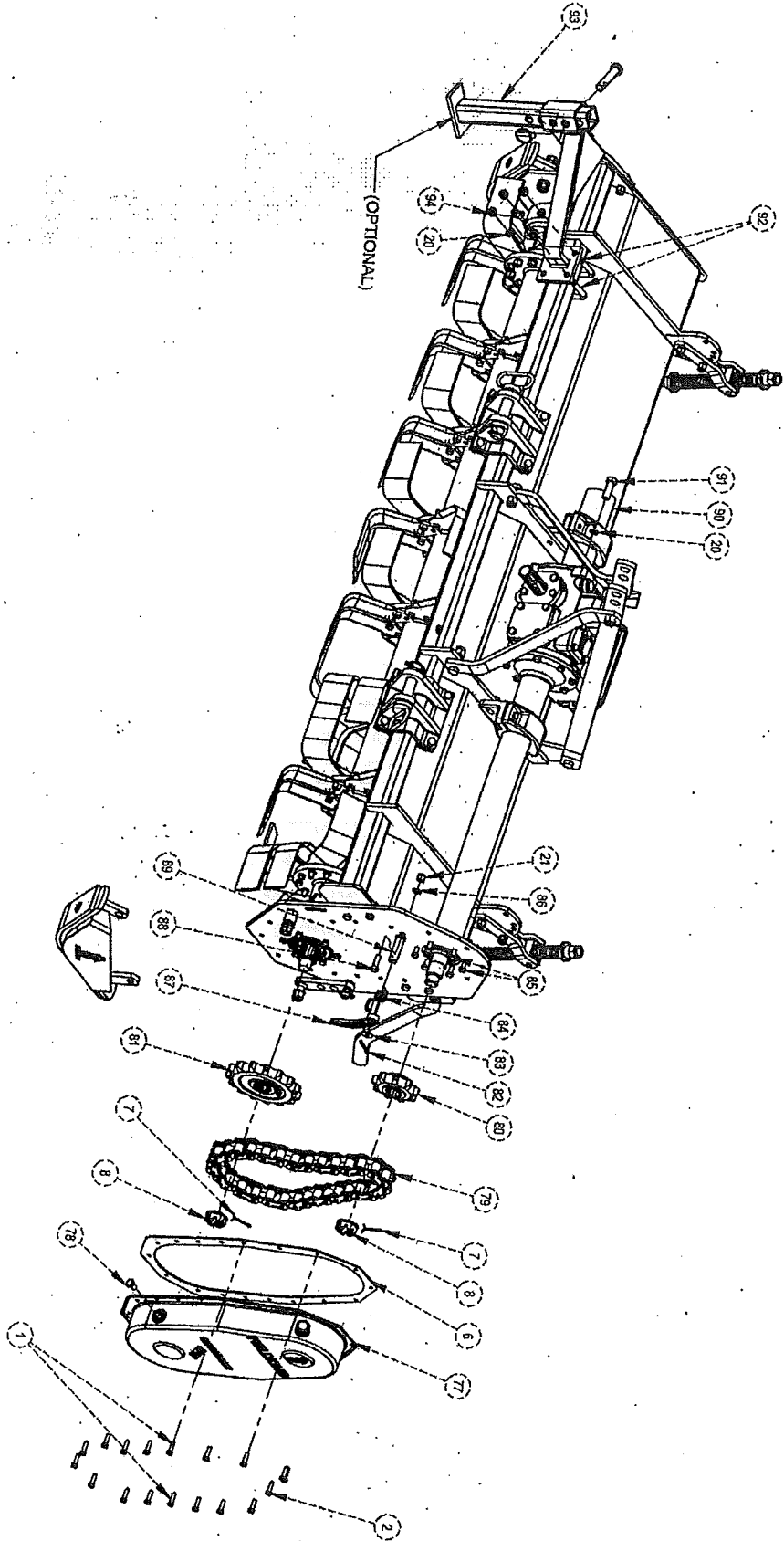
SR. NO.	DESCRIPTION	PART CODE
46	SHOCKER ROD	FKRT-125
47	RIVIT 5X35	20050422
48	SHOCKER SPRING CUP LOWER	FKRT-127
49	SHOCKER SPRING BIG	FKRT-129
50	SQUARE BUSH	FKRT-126
51	SHOCKER SRING SMALL	FKRT-130
52	SHOCKER SPRING CUP UPPER	FKRT-128
53	PLAN NUT M12X1.75	10280028
54	PLANK RODE NEW 2 MTR	FKRT-5215
	PLANK RODE NEW 1.75 MTR	FKRT-5214
	PLANK RODE NEW 1.5 MTR	FKRT-5213
	PLANK RODE NEW 1.25 MTR	FKRT-5212
	PLANK RODE NEW 1 MTR	FKRT-5211
	PLANK RODE NEW 2.05 MTR	FKRT-5220
	PLANK RODE NEW 1.85 MTR	FKRT-5219
	PLANK RODE NEW 1.65 MTR	FKRT-5218
	PLANK RODE NEW 1.45 MTR	FKRT-5217
55	GASKET	FKRT-193
56	HEX HEAD BOLT 12X1.75X90	10260011
57	SHOCKER ASSEMBLY	FKRT-5101
58	PLANK SIDE SUPPORT RHS	FKRT-121
59	PLANK SIDE SUPPORT LHS	FKRT-452
60	SHOCKER - PLANK ATTACHMENT U CLAMP	FKRT-123
61	PLANK ASSEMBLY 2 MTR	FKRT-5025
	PLANK ASSEMBLY 1.75 MTR	FKRT-5024
	PLANK ASSEMBLY 1.5 MTR	FKRT-5023
	PLANK ASSEMBLY 1.25 MTR	FKRT-5022
	PLANK ASSEMBLY 1 MTR	FKRT-5021
	PLANK ASSEMBLY 2.05 MTR	FKRT-5034
	PLANK ASSEMBLY 1.85 MTR	FKRT-5033
	PLANK ASSEMBLY 1.65 MTR	FKRT-5032
	PLANK ASSEMBLY 1.45 MTR	FKRT-5031
62	CSK BOLT M10X1.5X35	10260027
63	SHOCKER PLANK ATTACHMENT INNER SUPPORT PLATE	FKRT-124
64	NYLOCK NUT M10X1.5	10280002
65	DEPTH SKID PIN -2	FKRT-166
66	LINCH PIN 8 MM	10020045
67	FRAME SHOCKER HOLDING CLAMP	FKRT-122
68	FRONT LINK BRACKET BASE	FKRT-335
69	FRONT LINK BRACKET TOP	FKRT-334
70	HEX HEAD BOLT 12X1.75X60	10260010
71	LINCH PIN 10MM	10020022
72	TILLER PIN WITH HANDLE	10020047
73	HEX HEAD BOLT M16X2X50	10260078
74	HEX HEAD BOLT M12X1.75X40	10260273
75	REAR LEVER EXTENSION PLATE	FKRT-458
76	DEPTH SKID UPPER STRIP ASSEMBLY LHS	FKRT-5237



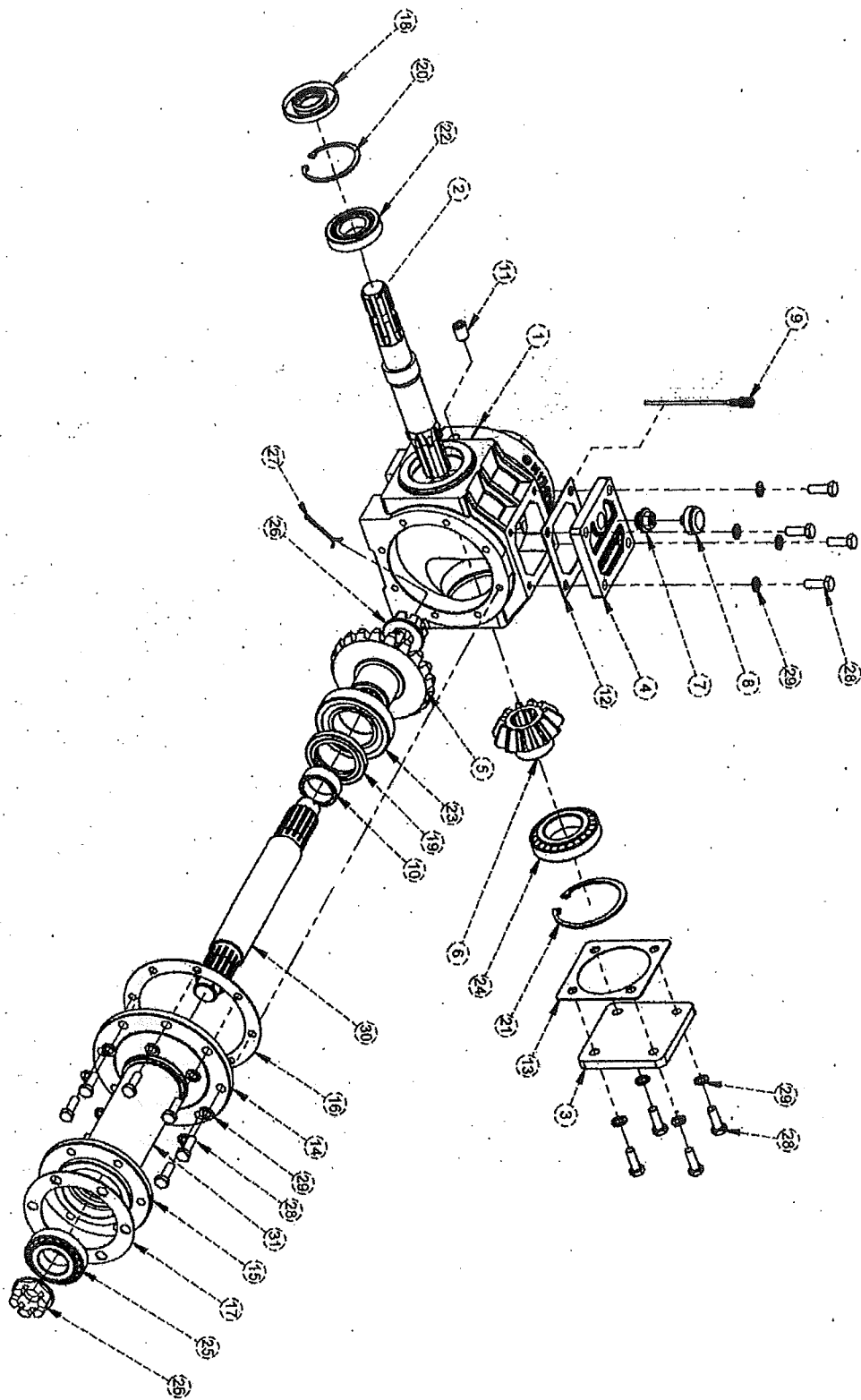
ROTARY TILLER ASSEMBLY

ROTARY TILLER COMPLETE CHAIN ASSEMBLY		
SR. NO.	DESCRIPTION	PART CODE
77	CHAIN COVER	FKRT-326
78	DRAIN PLUG BOLT M12X1.5X20	FKRT-295
79	CHAIN 1.25	FKRT-322
	CHAIN 1.5P	10140005
80	SPROCKET 10T-14S	FKRT-311
	SPROCKET 10T-8S	FKRT-310
	SPROCKET 11T-8S	FKRT-478
	SPROCKET 11T-14S	FKRT-351
	SPROCKET 9T-14S	FKRT-316
81	SPROCKET 17T-10S	FKRT-312
	SPROCKET 16T-10S	FKRT-496
	SPROCKET 15T-10S	FKRT-427
82	SPLIT PIN 3/16	10020005
83	WASHER M16	10270020
84	CHAIN TIGHTENER SPRING	FKRT-304
85	CSK BOLT M10X1.5X35	10260027
86	WASHER	20050094
87	CHAIN TIGHTENER	FKRT-301
88	CHAIN TIGHTENER SPRING BOLT	FKRT-306
89	CHAIN TIGHTENER SPRING PIN	FKRT-308
90	MULTISPEED GEAR BOX MOUNTING	FKRT-5222
91	HEX HEAD BOLT M12X1.75X30	10260263
92	U CLAMP BOLT 12X1.5	10220014
93	ROTARY TILLER STAND ASSEMBLY	FKRT-5239
94	NYLOCK NUT M12X1.5	10280003

ROTARY TILLER ASSEMBLY CHAIN DRIVE



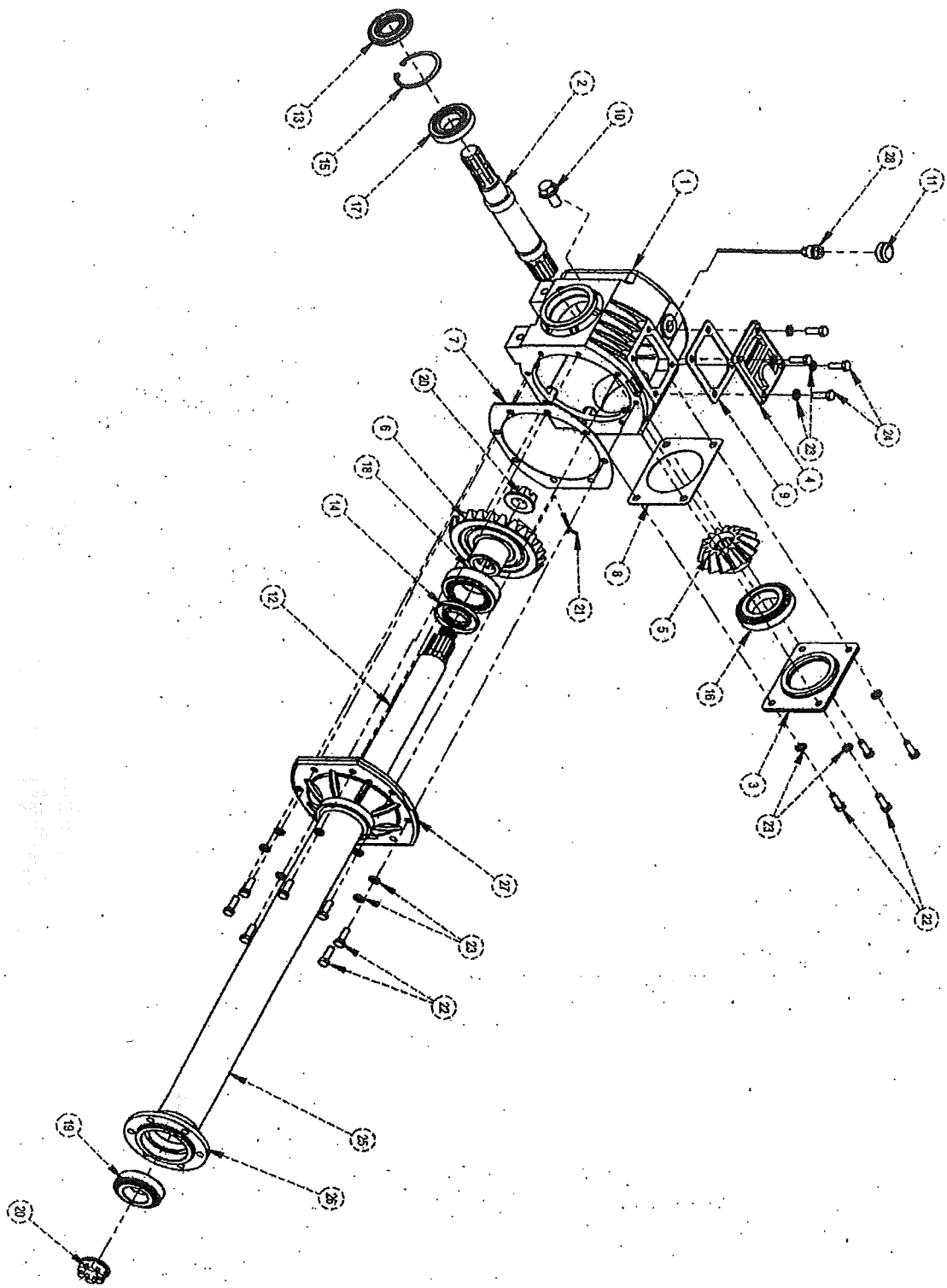
SINGLE SPEED GEAR BOX ASSEMBLY		
SR. NO.	DESCRIPTION	PART CODE
1	GEAR BOX HOUSING (SINGLE SPEED)	FKRT -177
2	PINION SHAFT (SINGLE SPEED -294)	FKRT -178
3	GEAR BOX REAR PLATE (SINGLE SPEED)	FKRT -179
4	GEAR BOX TOP PLATE (SINGLE SPEED)	FKRT -180
5	BEVEL GEAR 20T - 14S	FKRT -181
6	PINION GEAR 11T - 6S	FKRT -182
7	BREATHER NUT 22X1.5	FKRT -183
8	BREATHER VALVE	FKRT -184
9	DIP STICK	FKRT -185
10	TRANSMISSION SHAFT BUSH 19MM	FKRT -186
11	DRAIN PLUG	FKRT -187
12	GASKET GEAR BOX TOP PLATE	FKRT -188
13	GASKET GEAR BOX REAR PLATE	FKRT -189
14	BIG FLANGE TRANSMISSION PIPE	FKRT -190
15	SMALL FLANGE TRANSMISSION PIPE	FKRT -191
16	GASKET BIG FLANGE	FKRT -192
17	GASKET SMALL FLANGE	FKRT -193
18	OIL SEAL 35X72X10	10010001
19	OIL SEAL 55X80X10	10010002
20	CIRCLIP LIGHT B - 72	10390004
21	CIRCLIP LIGHT B - 90	10390006
22	BEARING 30207	10050049
23	BEARING 32211	10050009
24	BEARING 30210	10050002
25	BEARING 30208	10050048
26	CASTEL NUT M30X1.5P	10280012
27	SPLIT PIN 1/8 2 INCH	10020074
28	HEX HEAD BOLT M10X1.5X30	10260003
29	SPRING WASHER M10	10270002
30	TRANSMISSION SHAFT 2MTR	FKRT -361
	TRANSMISSION SHAFT 1.75MTR	FKRT -360
	TRANSMISSION SHAFT 1.5MTR	FKRT -359
	TRANSMISSION SHAFT 1.25 MTR	FKRT -358
	TRANSMISSION SHAFT 1 MTR	FKRT -357
31	TRANSMISSION PIPE ASSEMBLY 2 MTR	FKRT -5075
	TRANSMISSION PIPE ASSEMBLY 1.75 MTR	FKRT -5074
	TRANSMISSION PIPE ASSEMBLY 1.5 MTR	FKRT -5073
	TRANSMISSION PIPE ASSEMBLY 1.25 MTR	FKRT -5072
	TRANSMISSION PIPE ASSEMBLY 1 MTR	FKRT -5071



SINGLE SPEED GEARBOX

GEARBOX ROBUST TYPE		
SR. NO.	DESCRIPTION	PART CODE
1	ROBUST GEAR BOX HOUSING	FKRT-207
2	PINION SHAFT (ROBUST)	FKRT-208
3	ROBUST GEAR BOX REAR BEARING PLATE	FKRT-209
4	ROBUST GEAR BOX TOP PLATE	FKRT-210
5	PINION GEAR 14T	FKRT-211
6	BEVEL GEAR 25T	FKRT-212
7	ROBUST GASKET BIG FLANGE	FKRT-214
8	ROBUST GASKET REAR BEARING PLATE	FKRT-215
9	ROBUST GASKET PIPE BIG FLANGE	FKRT-214
10	ROBUST GASKET TOP PLATE	FKRT-216
11	DRAIN PLUG	FKRT-187
12	BREATHER VALVE	FKRT-184
13	TRANSMISSION SHAFT-1.75 MTR	FKRT-106
14	OIL SEAL 40X80X10	10010005
15	OIL SEAL 60X80X12	10010044
16	CIRCLIP B80	10390005
17	BEARING 30211	10050004
18	BEARING 30208	10050048
19	BEARING 33112	10050046
20	BEARING 32209	10050036
21	CASTLE NUT M30X1.5	10280012
22	SPLIT PIN 1/8X2"	10020074
23	HEX HEAD BOLT M10X1.5X30MM	10260003
24	SPRING WASHER M10	10270002
25	HEX HEAD BOLT M10X1.5X25MM	10260158
26	TRANSMISSION PIPE ASSEMBLY-1.75 MTR	FKRT-5086
27	SMALL FLANGE TRANSMISSION PIPE	FKRT-485
28	ROBUST GEAR BOX PIPE BIG FLANGE	FKRT-213
29	ROBUST DIP STICK	FKRT-5167

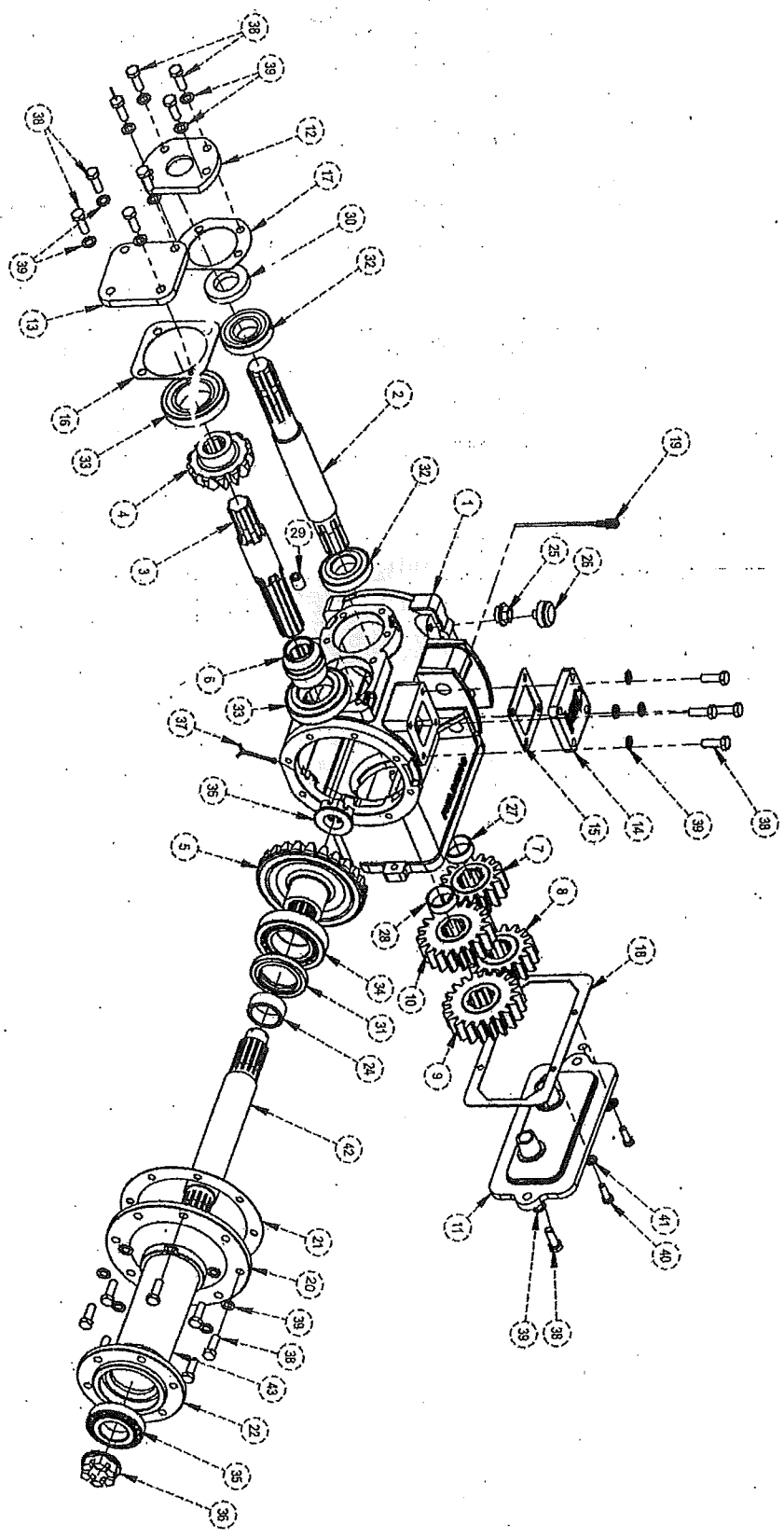
ROBUST SINGLE SPEED GEARBOX



GEARBOX ROBUST TYPE

SR. NO.	DESCRIPTION	PART CODE
1	GEAR BOX HOUSING (MULTISPEED)	FKRT-235
2	DRIVE SHAFT 361MM	FKRT-236
3	PINION SHAFT 250MM	FKRT-237
4	PINION GEAR 13T-6S	FKRT-238
5	BEVEL GEAR 25T-14S	FKRT-239
6	SPLINE BUSH PINION SHAFT	FKRT-240
7	SPUR GEAR 14T - 6S (1000RPM)	FKRT-434
	SPUR GEAR 16T - 6S	FKRT-241
8	SPUR GEAR 17T - 6S	FKRT-242
9	SPUR GEAR 19T - 6S	FKRT-243
10	SPUR GEAR 22T - 6S (1000 RPM)	FKRT-435
	SPUR GEAR 20T - 6S	FKRT-244
11	MULTISPEED GEAR BOX REAR PLATE	FKRT-245
12	MULTISPEED GEAR BOX FRONT BEARING PLATE ROUND	FKRT-246
13	MULTISPEED GEAR BOX FRONT BEARING PLATE SQUARE	FKRT-247
14	MULTISPEED GEAR BOX TOP PLATE	FKRT-248
15	GASKET MULTISPEED GEAR BOX TOP PLATE	FKRT-249
16	GASKET MULTISPEED GEAR BOX FRONT BEARING PLATE	FKRT-251
17	GASKET MULTISPEED GEAR BOX FRONT BEARING PLATE ROUND	FKRT-250
18	GASKET MULTISPEED GEAR BOX REAR BEARING PLATE	FKRT-252
19	DIP STICK (MULTISPEED)	FKRT-253
20	BIG FLANGE TRANSMISSION PIPE 202MM	FKRT-254
21	GASKET BIG FLANGE MULTISPEED	FKRT-255
22	SMALL FLANGE T. PIPE	FKRT-191
23	GASKET SMALL FLANGE T.PIPE	FKRT-193
24	T.SHAFT BUSH 21MM	FKRT-456
25	BREATHER NUT	FKRT-183
26	BREATHER VALVE	FKRT-184
27	SPACER BUSH 35X40X15	FKRT-454
28	SPACER BUSH 35X40X16	FKRT-455
29	DRAIN PLUG	FKRT-187
30	OIL SEAL 35X62X10	10010006
31	OIL SEAL 55X80X10	10010002
32	BEARING 30207	10050049
33	BEARING 30210	10050002
34	BEARING 32211	10050009
35	BEARING 30208	10050048
36	CASTEL NUT 30X1.5	10280012
37	SPLIT PIN LOCK 1/8 2 INCH	10020074
38	HEX HEAD BOLT M10X1.5X30	10260003
39	SPRING WASHER M10	10270002
40	HEX HEAD BOLT M8X1.5X25	10260001
41	SPRING WASHER M8	10270001
42	TRANSMISSION SHAFT 2 MTR	FKRT-360
	TRANSMISSION SHAFT 1.65 MTR	FKRT-362
	TRANSMISSION SHAFT 1.5 MTR	FKRT-359
	TRANSMISSION SHAFT 1.25 MTR	FKRT-358
	TRANSMISSION SHAFT 1 MTR	FKRT-357
	TRANSMISSION SHAFT 2.05 MTR	FKRT-361
43	TRANSMISSION PIPE ASSEMBLY 2 MTR	FKRT-5085
	TRANSMISSION PIPE ASSEMBLY 1.65MTR	FKRT-5079
	TRANSMISSION PIPE ASSEMBLY 1.5 MTR	FKRT-5083
	TRANSMISSION PIPE ASSEMBLY 1.25 MTR	FKRT-5082
	TRANSMISSION PIPE ASSEMBLY 1 MTR	FKRT-5081
	TRANSMISSION PIPE ASSEMBLY 2.05 MTR	FKRT-5080

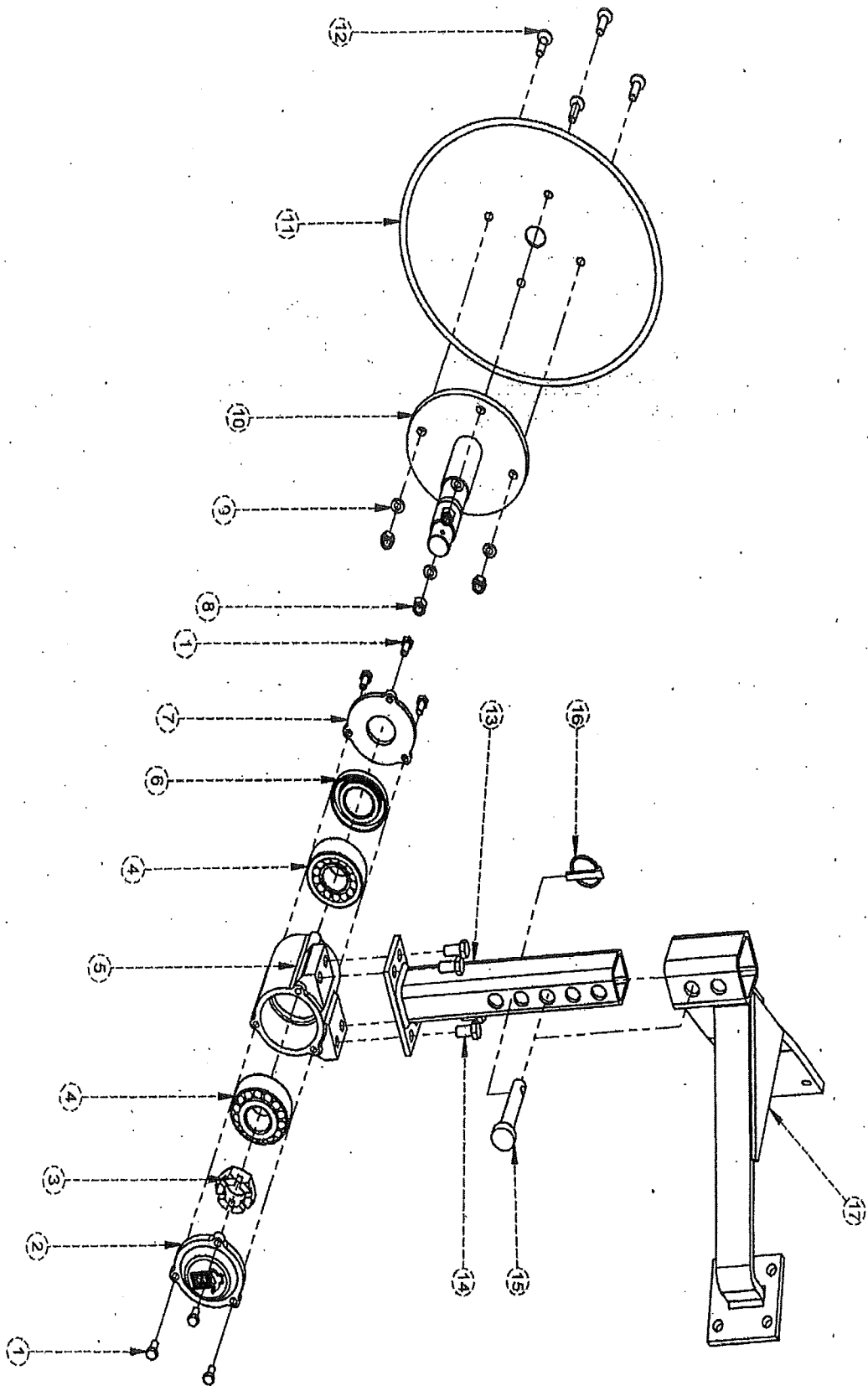
MULTISPEED GEARBOX



SIDE DISC ASSEMBLY

SR. NO.	DESCRIPTION	PART CODE
1	HEX BOLT M8X20X1.25	10260188
2	SIDE DISC HUB FRONT COVER	FKRT-353
3	CASTLE NUT M30X1.5	10280012
4	BEARING 32307	10050008
5	SIDE DISC HUB	FKRT-352
6	OIL SEAL 40X80X10	10010005
7	SIDE DISC HUB BACK COVER	FKRT-354
8	NYLOCK NUT M10X1.5mm	10280002
9	SPRING WASHER M10	10270002
10	SIDE DISC HUB AXLE (COMPLETE SET)	FKRT-355
11	PLAIN DISC 14"	FKRT-356
12	CSK BOLT M10X30X1.5mm	10260051
13	SIDE DISC MOUNTING PIPE ASSEMBLY	FKRT-5113
14	HEX BOLT M12X20X1.75 (10.9G)	10260057
15	PIN 19X90	10020026
16	LINCH PIN M10	10020022
17	SIDE DISC ATTACHMENT FRAME	FKRT-5112

SIDE DISC ATTACHMENT ASSEMBLY



PTO PART LIST

SR. NO.	DESCRIPTION	PART CODE		
		CUT	FULL	1000 RPM
		FKRT-5116	FKRT-5115	FKRT-5117
1	PUSH PIN YOKE	FKRT-366		FKRT-394
2	CROSS JOURNAL SET	FKRT-367		
5	OUTER YOKE	FKRT-368		
11	ROLL PIN FOR OUTER TUBE	FKRT-369	FKRT-370	FKRT-370
14	OUTER TUBE	FKRT-380	FKRT-371	FKRT-371
15	INNER TUBE	FKRT-382		
16	ROLL PIN FOR INNER TUBE	FKRT-372		
21	INNER YOKE	FKRT-373		
30	COMPLETE SHEAR BOLT ASSEMBLY	FKRT-5229		
31	GUARD RETAINING COLLER FOR OUTER TUBE	FKRT-375		
37	GUARD RETAINING COLLER FOR INNER TUBE	FKRT-376		
38	SAFTY CHAIN	FKRT-377		
40	COMPLETE GUARD ASSEMBLY	FKRT-5231	FKRT-5232	FKRT-5232
51	PUSH PIN SET	FKRT-379		
71	YOKE FOR SHEAR BOLT ASSY	FKRT-391		
72	BALL 5/16"	FKRT-381		
74	HUB FOR SHEAR BOLT ASSY	FKRT-374		
75	SAFETY BOLT M10X1.5X65	10260054		
98	NUT M10X1.5	10280002		
76	GREASE FITTING	FKRT-384		
90	U JOINT FOR OUTER TUBE	FKRT-5224		FKRT-5236
91	U JOINT FOR INNER TUBE	FKRT-5228		
94	HALF FEMALE GUARD ASSEMBLY	FKRT-5226	FKRT-5234	FKRT-5234
95	HALF MALE GUARD ASSEMBLY	FKRT-5230	FKRT-5233	FKRT-5233
96	HALF FEMALE SHAFT WITH GUARDING	FKRT-5223	FKRT-5225	FKRT-5247
97	HALF MALE SHAFT WITH GUARDING	FKRT-5227	FKRT-5235	FKRT-5235

