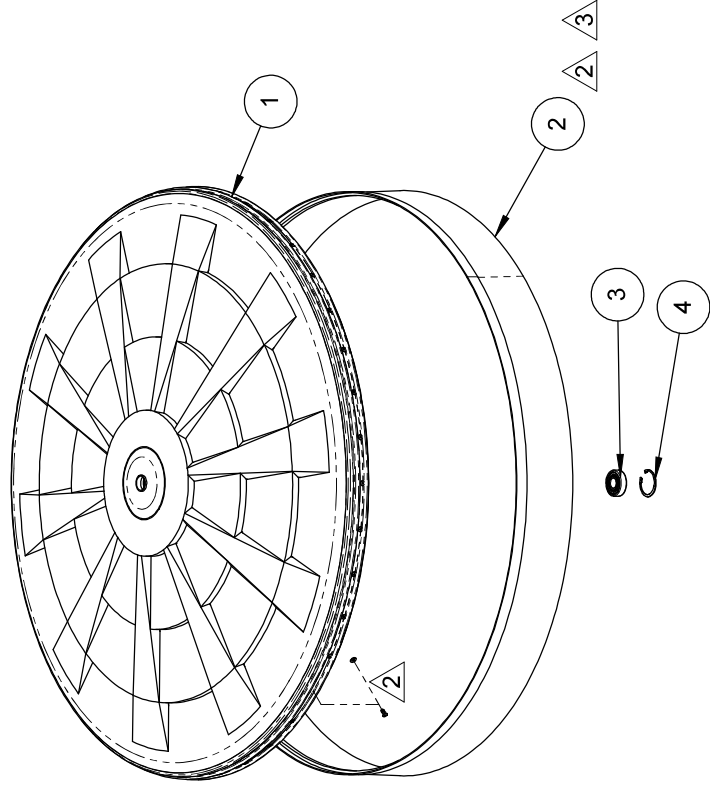


ZONE	REV.	DESCRIPTION	DATE	AMENDED BY	CHECKED BY
	2	BRUSH CHANGED TO 1167 40X RIVETS AND WASHER ADDED (PAF-330)	30/08/2018	MAB	
	3	BRUSH STRIP CHANGED TO 11564	30/08/2018	MAB	



ITEM	PART No.	DESCRIPTION	Default/QTY.	SIZE	UNITS
1	ZU109	DISC, 1200, WITHOUT BEARING AND CLIP	1		EACH
2	11564	BRUSH, MINI FLEX SYSTEM, FIBRE 110mm	1		EACH
3	GB002	BEARING	1		EACH
4	GB003	CIRCLIP, J50 x 2	1		EACH
5	UF035	POP-RIVET6-8	40		EACH
6	6512	WASHER M6x12x1 A2 SIS	40		EACH

**MICRON GROUP**  
 BROMYARD INDUSTRIAL ESTATE, BROMYARD, HEREFORDSHIRE, HR7 4HS  
 TEL: 01885 482397, FAX: 01885 483043

TITLE: **SPRAYDOME 1200 DOME ASSEMBLY**

UNSPECIFIED TOLERANCES:  
 DIMENSIONS IN MILLIMETERS  
 0.000.....±0.5  
 0.000.....±0.02

DEBRIS AND BREAK SHARP EDGES UNLESS OTHERWISE STATED  
**DO NOT SCALE**

THIRD ANGLE PROJECTION

DRAWN BY: **M BOTFIELD** DATE: **16/04/2018**

MATERIAL:  
 FINISH:

PART NO. **ZU065**  
 PROJECT **ENVIROMIST**

REVISION **3**

SCALE: 1:10 SIZE: A3 SHEET 1 OF 1

WEIGHT: 6133.62