

ITEM	PART No.	DESCRIPTION	QTY.
1	9131	SD3049 CARRIER FRAME	1
2	9132	VERTICAL SUPPORT, WHEEL MOUNT	2
3	9134	TOWBAR, 3049, HIGH ADJUST	1
4	9135	SMALL TANK MOUNT	2
5	9139	REAR HEIGHT ADJUSTMENT ARM	2
6	11252	WHEEL MOUNT	1
7	11253	SLIDE TUBES, OUTER	1
8	AG002	RATCHET (FRONT HEIGHT ADJUSTMENT)	1
9	SC005	U-bolt (Wheel Mount)	4
10	ST045	WHEEL ASSEMBLY	2
11	ST057	WHEEL ASSEMBLY	1
12	UF019	BOLT, 3/8" BSW, X 1 1/4"	4
13	UF029	NUT, 3/8 BSW, NYLOC, BZP	4
14	UF030	NUT, 1/2" BSW NYLOC ZC	11
15	UF037	1-ABSWK1-1-2 ZC BOLL	10
16	UF038	1/2" BSW X 3 1/2 ZC HEX BOLT - 1 3/8 LG THREAD	1
17	UF069	5/8" BSW ZC NYLOC NUT	2
18	UF093	5/8" BSW X 3 1/2 ZC HEX BOLT - 1 5/8 LG THREAD	2
19	VE001	HAND WASH TANK, 10 L	1
20	VE001R	RINSE TANK, 10 L	1
21	ZS299	SUSPENSION ASSEMBLY, WITH FIXINGS AND WHEEL NUTS	2
22	ZS307	TOW COUPLING, 50 mm	1
23	ZS433	CLAMP BOLT 1/2"	4
24	ZS434	CLAMP BOLT 5/8" x 2"	4
25	ZS803	JACK, REAR HEIGHT ADJUSTMENT	1
26	ZT222	CABLE, RETAINER, 10 L TANK LID	2

**MICRON GROUP**  
 BROWARD INDUSTRIAL ESTATE, BROWARD, HEREFORDSHIRE, HR7 4HS  
 TEL: 01885 482397 FAX: 01885 483043

**AS STRAIA**  
 PROJECT: SPRAYDOME ADJUSTABLE  
 SCALE: 1:20 SIZE: A3 SHEET 2 OF 2

**UNSPECIFIED TOLERANCES:**  
 DIMENSIONS IN MILLIMETERS  
 0.0.....±0.5  
 0.00.....±0.1  
 0.000.....±0.02

**DO NOT SCALE**

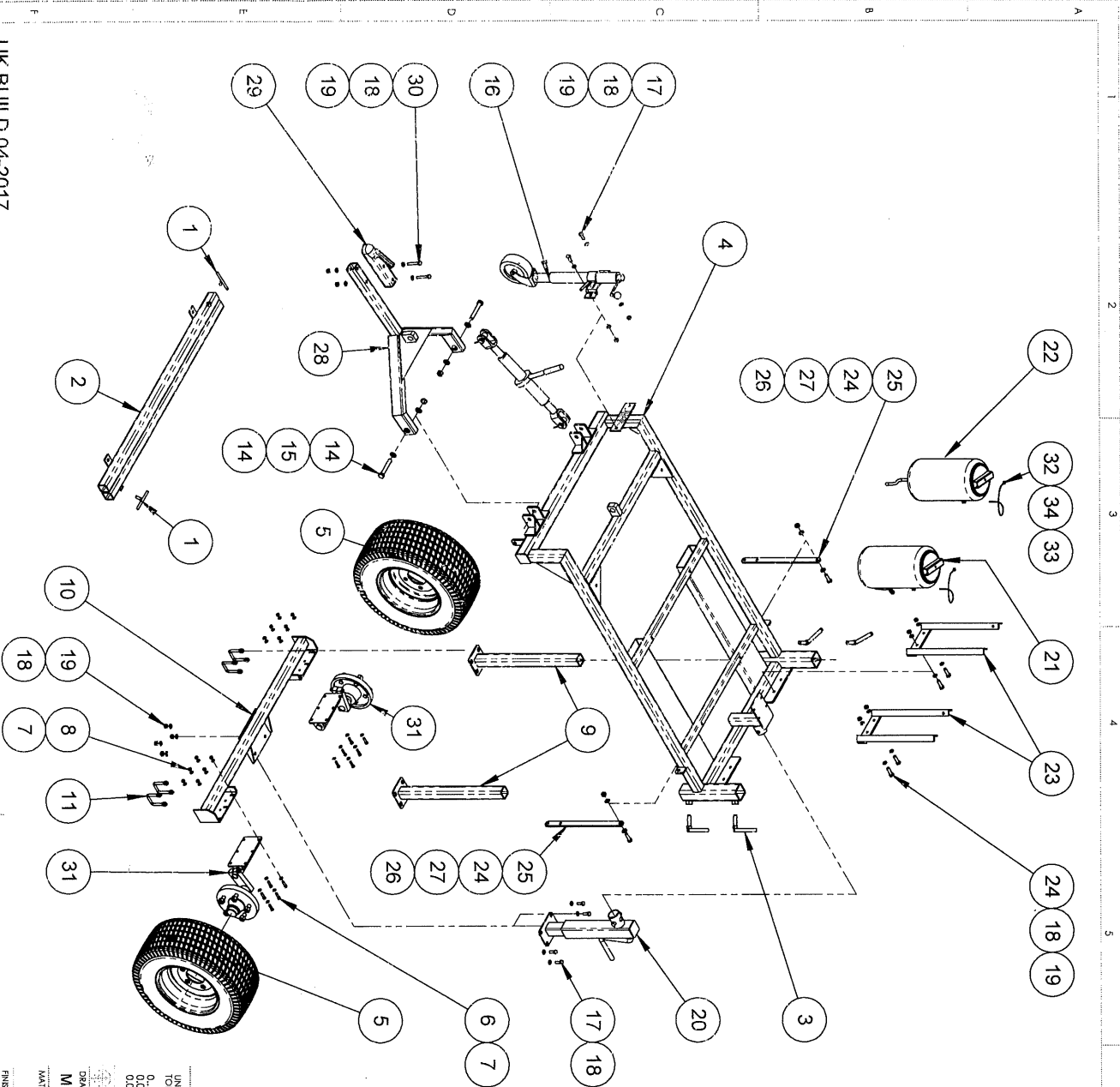
**DESIGN AND BREAK AND DIMENSIONS:**  
 THIRD ANGLE PROJECTION  
 DATE: 22/03/2017

**DRAWN BY:** M BOTFIELD  
**DATE:** 22/03/2017

**PROJECT:** ZS800V  
**REVISION:** 1

**WEIGHT:** 316735.76





ITEM	PART No.	DESCRIPTION	QTY.
1	ZS433	CLAMO BOLT 1/2"	2
2	11253	SLIDE TUBES, OUTER	1
3	ZS434	CLAMP BOLT 5/8" x 2"	4
4	9131	SD3049 CARRIER FRAME	1
5	11260	WHEEL ASSEMBLY	2
6	7202	SCREW M6x30	12
7	6900	WASHER, M8	24
8	7849	NUT, M8 NYLOC, S/S	12
9	9132	VERTICAL SUPPORT, WHEEL MOUNT	2
10	11262	WHEEL MOUNT	1
11	11261	C BOLT, M10 X 80, SS, FOR 50 X 50 RHHS	4
12	AG002	RATCHET (FRONT HEIGHT ADJUSTMENT)	1
14	8210	BOLT, M16 X 100 HEX, HD BOLT A2 SIS	2
15	5995	NUT, M16 NYLOC, A4 SIS	2
16	5994	WASHER (FORM A), M16 FLAT, SIS	4
17	6293	JOCKEY WHEEL, 6 X 2, CW CLAMP	1
18	5973	SCREW, M10x30, HEX HD, WASHER, M10 FLAT, SIS	6
19	5975	WASHER, M10 FLAT, SIS	24
20	AG001	NUT, M10 NYLOC, SIS	12
21	VE001	JACK, REAR HEIGHT ADJUSTMENT	1
22	9135	HAND WASH TANK, 10L	1
23	9135	RINSE TANK, 10L	1
24	6565	SMALL TANK MOUNT	2
25	9139	REAR HEIGHT ADJUSTMENT ARM	6
26	5177	NUT, M12 NYLOC	2
27	6567	WASHER, M12 FLAT	2
28	11283	TOW BAR (MODIFICATION)	4
29	10910	HITCH (50mm BALL)	1
30	6996	SCREW, M10x60	2
31	11266	SUSPENSION UNIT 600KG 4/90 5X140	2
32	11291	LANYARD, TANK LID RETAINER	2
33	6512	WASHER M6x12x1 A2 SIS	2
34	6690	RIVET 3/16 X 5/8"	2

UK BUILD 04-2017

UNSPECIFIED  
TOLERANCES:  
0.0.....±0.5  
0.00.....±0.1  
0.000.....±0.02

BREAK SHARP EDGES  
DIMENSIONS IN MILLIMETRES  
LINKS OTHERWISE STATED  
UNLESS OTHERWISE STATED

DO NOT SCALE

THIRD ANGLE PROJECTION

DRAWN BY: M BOTFIELD  
DATE: 22/03/2017

MATERIAL:

FINISH:

WEIGHT: 311548.20

**MICRON GROUP**

BROWN/ARND INDUSTRIAL ESTATE, BROWN/ARND, HEREGORSHIRE, HR7 4HS  
TEL: 01895 46297 FAX: 01895 463043

TITLE: CARRY FRAME FIRST UK BUILD 04-2017

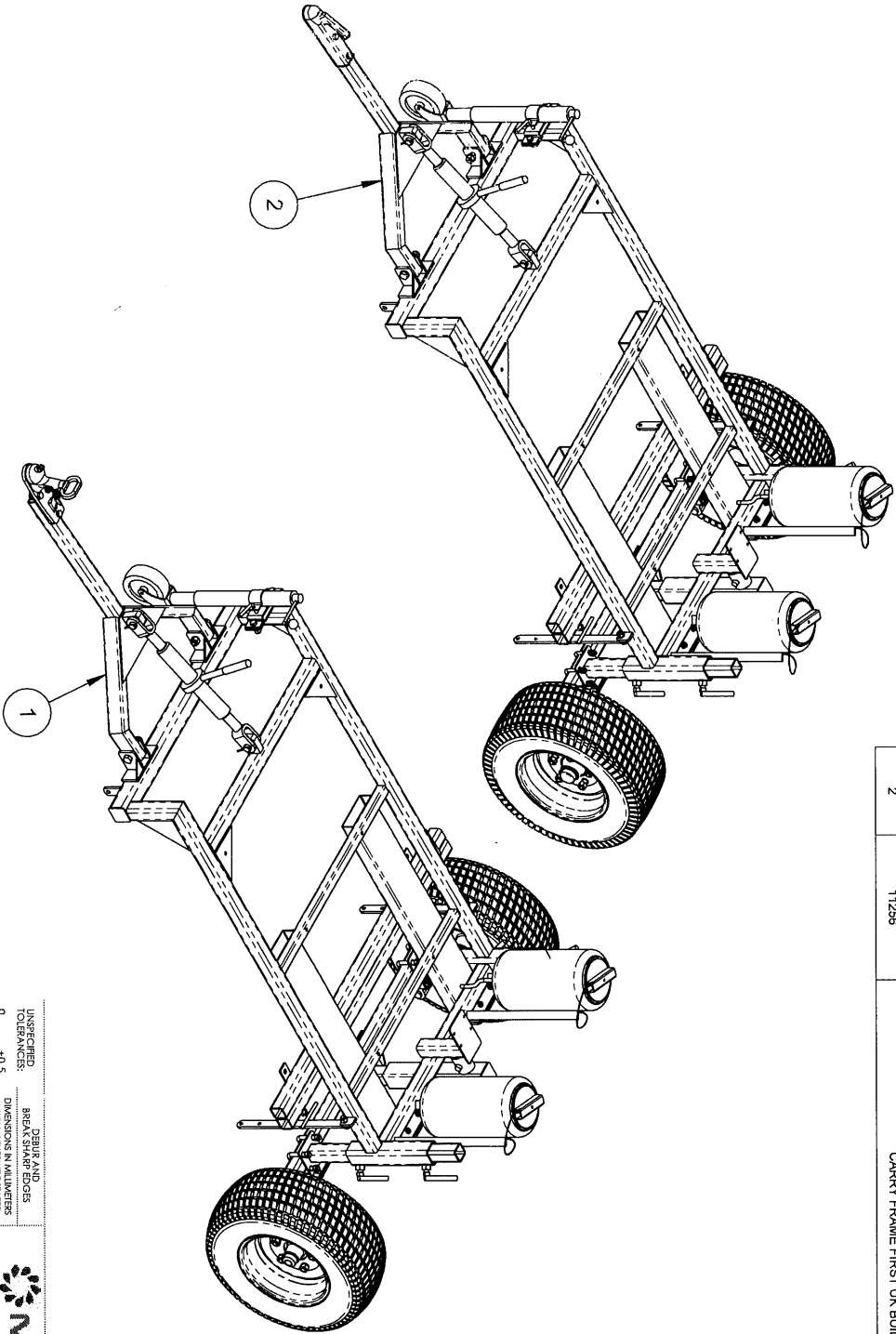
PART NO: ZS800V

PROJECT: SPRAYDOME ADJUSTABLE

SCALE: 1:20 SIZE: A3 SHEET 2 OF 3

REVISION: 3

ITEM	PART No.	DESCRIPTION
1	11255	CARRY FRAME AS BUILT IN AUSTRALIA
2	11256	CARRY FRAME FIRST UK BUILD 04-2017



UNSPECIFIED  
TOLERANCES:  
0.0.....+0.5  
0.00.....+0.10  
0.050.....+0.02

DESIGN AND  
BREAK SHARP EDGES  
DIMENSIONS IN MILLIMETERS  
UNLESS OTHERWISE STATED  
UNLESS OTHERWISE STATED

**DO NOT SCALE**

THIRD ANGLE PROJECTION

DRAWN BY: M BOTFIELD  
DATE: 22/03/2017

MATERIAL:

FINISH:

**MICRON GROUP**  
BROWN HAD INDUSTRIAL ESTATE, BROWNVALE, HEREFORDSHIRE, HR7 4HS  
TEL: 01895 462977 FAX: 01895 463043

TITLE:  
**ADJUSTABLE CARRY FRAME,  
SD3049**

PART NO. **ZS800V**

PROJECT **SPRAYDOME ADJUSTABLE**

REVISION **3**

WEIGHT: 311548.2

SCALE: 1:15

SIZE: A3

SHEET 1 OF 3