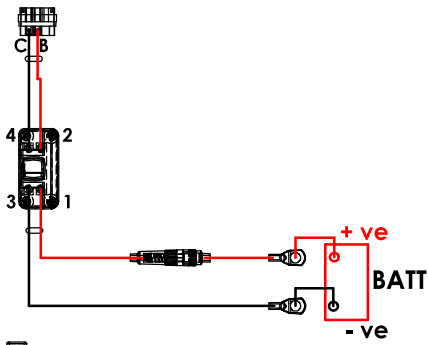


ZC020 Backplate Power Wire Assembly



INSULATED CONNECTOR



TWIN CONNECTOR



SOCKET - THREE PIN



SOCKET - TWO PIN



PLUG - TWO PIN



SINGLE - RED AUTO



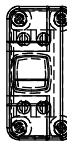
SINGLE - BLACK AUTO



SINGLE - BLUE AUTO



TWIN - RED/BLACK AUTO



INLINE SWITCH

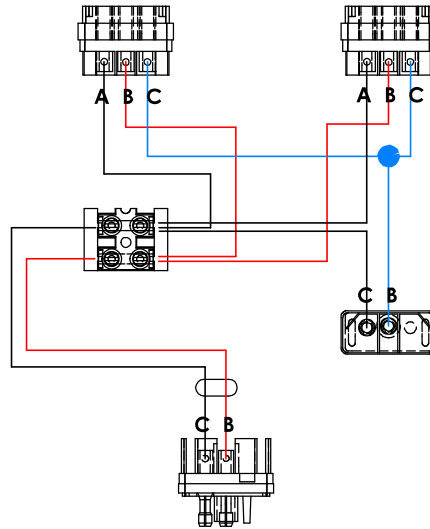


FUSE HOLDER + FUSE

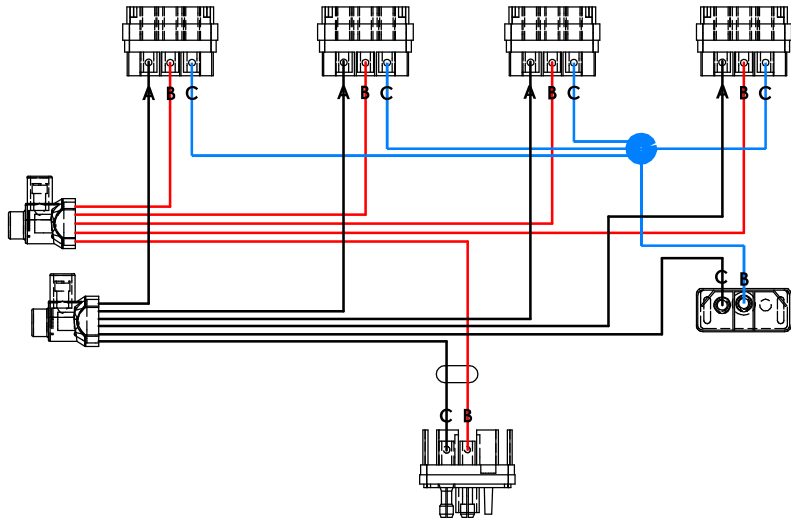


TERMINAL

AA240 Twin Backplate - Wiring Diagram



AA243 Quad Backplate - Wiring Diagram



AA242 Six Way Backplate - Wiring Diagram

