

REVISIONS			
ZONE	REV.	DESCRIPTION	CHECKED BY

ITEM	PART No.	DESCRIPTION	SIZE	UNITS
1	10728	FERRULE, CRIMP, BOOTLACE, 1.5 mm		EACH
2	11727	TWIN GREEN WIRE		EACH
3	12666	COVER, OUTER, SINGLE CONTROL BOX (GREY)		EACH
4	12667	REAR CLIP BRACKET		EACH
5	12707	ASSEMBLY, PANEL, SINGLE CONTROL BOX		EACH
6	4368	AUTO CABLE RED	0.140	METRES
7	6388	RECEPTACLE 1/4" F		EACH
8	CB006	LABEL, CAUTION 12V 5W		EACH
9	GE008	AUTO CABLE BLACK	0.140	METRES
10	ST030	PLUG, 3 PIN, SURFACE MOUNTED, COMPLETE		EACH
11	UF048	SCREW, SELF TAP, 6-20 x 3/8" ZP		EACH
12	ZC012A	DIODE ASSEMBLY		EACH
13	ZC052	ASSEMBLY, CONTROL UNIT FEED TUBE		EACH
14	ZE008	CONNECTOR, 3 WAY		EACH
15	ZU031/18	CONTROL HOSE AND CABLE ASSEMBLY 5.4 M		EACH

**MICRON GROUP**  
 BROMYARD INDUSTRIAL ESTATE, BROMYARD, HEREFORDSHIRE, HR7 4HS  
 TEL: 01885 482397 FAX: 01885 483043

TITLE: **CONTROL, SINGLE, (500ml/0.12USg) 5.4M HOSE AND CABLE**

UNSPECIFIED TOLERANCES:  
 BREAK SHARP EDGES  
 DIMENSIONS IN MILLIMETERS  
 0.0.....±0.5  
 0.00.....±0.02  
**DO NOT SCALE**

THIRD ANGLE PROJECTION  
 DRAWN BY: **M BOTFIELD** DATE: **30/11/2020**

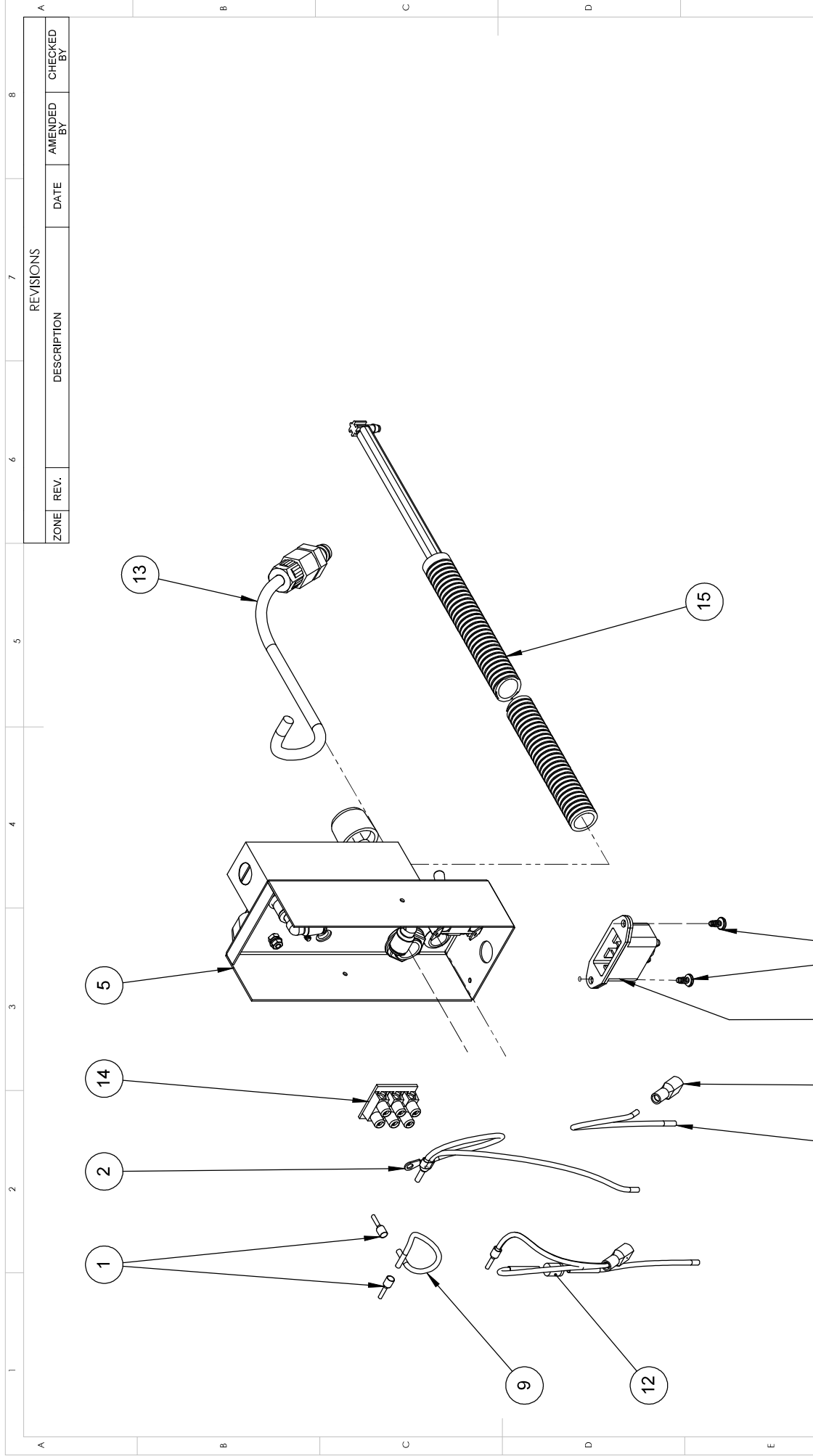
MATERIAL:  
 FINISH:

PART NO. **AA249\_18**  
 PROJECT **ENVIROMIST**

REVISION **01**

SCALE: 1:2 SIZE: A3 SHEET 1 OF 2

SEE SHEET 2



REVISIONS			
ZONE	REV.	DESCRIPTION	CHECKED BY

UNSPECIFIED TOLERANCES: 0.0.....±0.5 0.00.....±0.02	DEBUR AND BREAK SHARP EDGES DIMENSIONS IN MILLIMETERS UNLESS OTHERWISE STATED <b>DO NOT SCALE</b>	<b>MICRON GROUP</b> BROMYARD INDUSTRIAL ESTATE, BROMYARD, HEREFORDSHIRE, HR7 4HS TEL: 01885 482397 FAX: 01885 483043
THIRD ANGLE PROJECTION	DATE: 30/11/2020	TITLE: CONTROL, SINGLE, (500ml/0.12USg) 5.4M HOSE AND CABLE
DRAWN BY: M BOTFIELD	MATERIAL:	PART NO. AA249_18
FINISH:	WEIGHT: 518.8	PROJECT: ENVIROMIST
		REVISION: 01
		SCALE: 1:2
		SIZE: A3
		SHEET: 2 OF 2