

REVISIONS			
ZONE	REV.	DESCRIPTION	CHECKED BY

ITEM	PART No.	DESCRIPTION	SIZE	UNITS
1	10728	FERRULE, CRIMP, BOOTLACE, 1.5 mm		EACH
2	11727	TWLN GREEN WIRE		EACH
3	12666	COVER, OUTER, SINGLE CONTROL BOX (GREY)		EACH
4	12667	REAR CLIP BRACKET		EACH
5	12707	ASSEMBLY, PANEL, SINGLE CONTROL BOX		EACH
6	4388	AUTO CABLE RED	0.140	METRES
7	6388	RECEPTACLE 1/4" F		EACH
8	CB006	LABEL, CAUTION 12V 5W		EACH
9	GE008	AUTO CABLE BLACK	0.140	METRES
10	ST030	PLUG, 3 PIN, SURFACE MOUNTED, COMPLETE		EACH
11	UF048	SCREW, SELF TAP, 6-20 x 3/8" ZP		EACH
12	ZC012A	DIODE ASSEMBLY		EACH
13	ZC062	ASSEMBLY, CONTROL UNIT FEED TUBE		EACH
14	ZE008	CONNECTOR, 3 WAY		EACH
15	ZU031	CONTROL HOSE AND CABLE ASSEMBLY 3.3 M		EACH

**MICRON GROUP**  
 BROMYARD INDUSTRIAL ESTATE, BROMYARD, HEREFORDSHIRE, HR7 4HS  
 TEL: 01885 482397 FAX: 01885 483043

TITLE: CONTROL, SINGLE, (500ml/0.12USg)  
 3.3M HOSE AND CABLE

UNSPECIFIED TOLERANCES:  
 DIMENSIONS IN MILLIMETERS  
 0.0.....±0.5  
 0.00.....±0.02

DEBUR AND BREAK SHARP EDGES  
 DIMENSIONS IN MILLIMETERS  
 UNLESS OTHERWISE STATED  
**DO NOT SCALE**

THIRD ANGLE PROJECTION

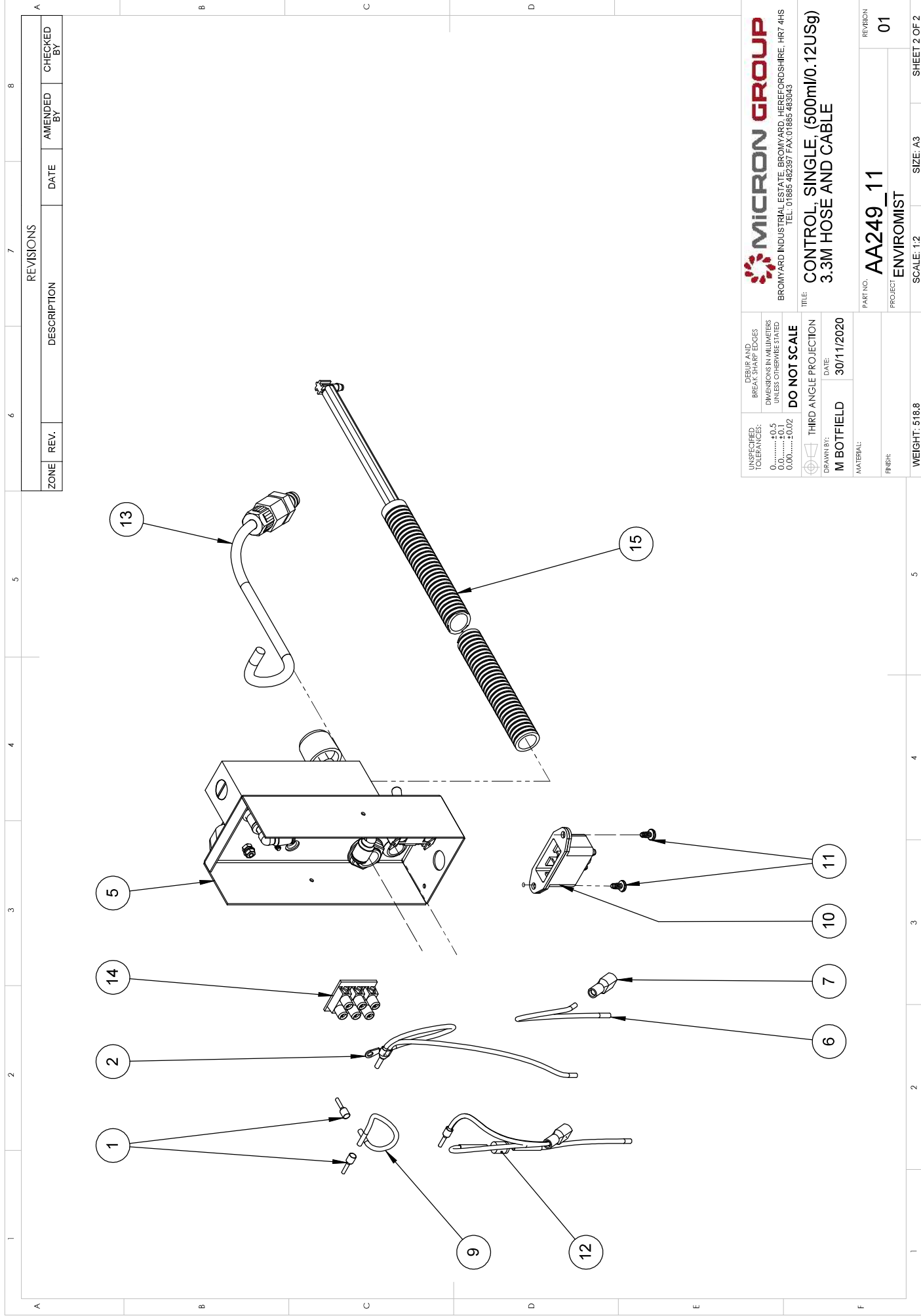
DRAWN BY: M BOTFIELD DATE: 30/11/2020

MATERIAL: PART NO. AA249\_11 REVISION: 01

FINISH: PROJECT: ENVIROMIST

WEIGHT: 796.3 SCALE: 1:2 SIZE: A3 SHEET 1 OF 2

SEE SHEET 2



REVISIONS			
ZONE	REV.	DESCRIPTION	CHECKED BY

<p><b>MICRON GROUP</b>          BROMYARD INDUSTRIAL ESTATE, BROMYARD, HEREFORDSHIRE, HR7 4HS          TEL: 01885 482397 FAX: 01885 483043</p>	UNFINISHED TOLERANCES: 0.0.....±0.5 0.00.....±0.02	DEBURR AND BREAK SHARP EDGES DIMENSIONS IN MILLIMETERS UNLESS OTHERWISE STATED <b>DO NOT SCALE</b>	TITLE: <b>CONTROL, SINGLE, (500ml/0.12USg) 3.3M HOSE AND CABLE</b>
	THIRD ANGLE PROJECTION DRAWN BY: <b>M BOTFIELD</b>	DATE: <b>30/11/2020</b>	PART NO. <b>AA249_11</b>
MATERIAL: <b>ENVIROMIST</b>		SCALE: 1:2	SIZE: A3
WEIGHT: 518.8		SHEET 2 OF 2	