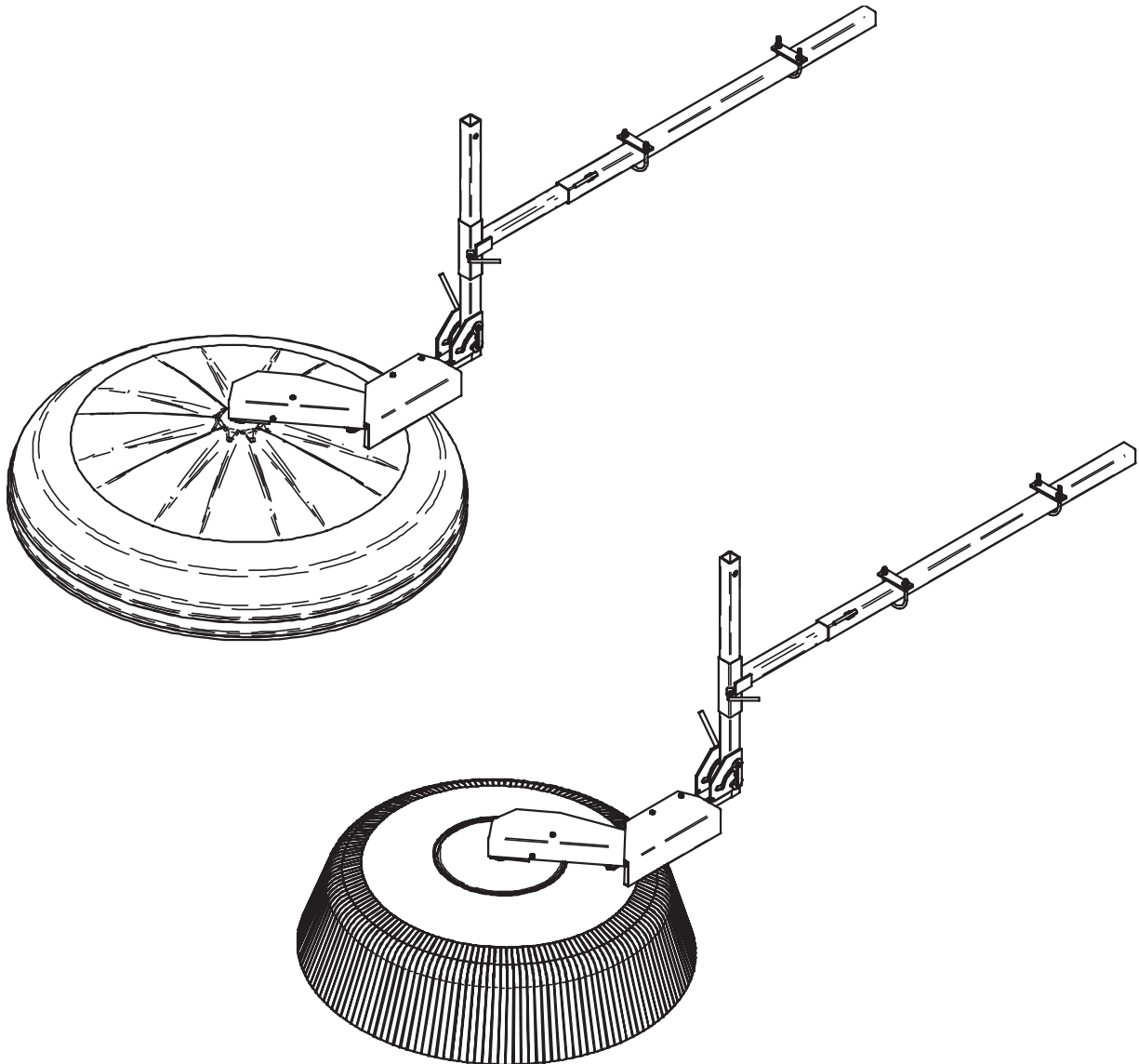




Spraydome / Undavina

Circular sprayers with breakaway and adjustable mounts CDA and Hi-Flo



Parts Calalogue

Publication Part No: 9063

Revision: 4.1

Edition Notice

Prepared and printed by or on behalf of:



This publication covers the following products:

Spraydome all models and accessories
Undavina (including Grand Cru) all models and accessories

This document is prepared for Micron Sprayers Ltd. their agents and clients. The document should be taken in its entirety. No responsibility can be accepted, nor can consent be assumed for the part reproduction, editing, extract or quotation taken out of context of this document.

All rights reserved. No part of this publication may be reproduced, stored in a retrieval system, or transmitted in any form or by any means, electronic, mechanical, photocopying, recording or otherwise, without the prior permission of Micron Sprayers Ltd.

Copyright © Micron Sprayers Ltd. 2016

Whilst every effort has been made to ensure the accuracy of this document, any errors or inaccuracies should be reported to Micron Sprayers Ltd. or their agents.



Bromyard Industrial Estate
Bromyard
Herefordshire
HR7 4HS
U.K.

T +44 (0)1885 482397
F +44 (0)1885 483043
E enquiries@micron.co.uk
www.microngroup.com

Micron Group is a trading name of Micron Sprayers Ltd. Company Registration No. 00529633 England & Wales

Table of Contents

1	Spraydome and Undavina sub-assemblies	6
1.1	Shroud Components.....	8
1.2	CDA Head and Bracket Assemblies	10
1.2.1	250 CDA Head Assembly.....	10
1.2.2	400 CDA Head Assembly.....	11
1.2.3	600/900 CDA Head Assembly.....	12
1.2.4	1000/1200 CDA Head Assembly	13
1.2.5	CDA Head with Atomiser Drum - Type A.....	14
1.2.6	CDA Head Assembly with Atomiser Disc - Ulva+	16
1.3	Hi-Flo Nozzle Assemblies.....	17
1.3.1	Hi-Flo Nozzle Assembly, Single (Aus Models)	17
1.3.2	Hi-Flo Nozzle Assembly, Single (UK Models).....	18
1.3.3	Hi-Flo Nozzle Assembly, Twin	20
1.4	Breakaway Assemblies	22
1.4.1	Breakaway Assembly, Standard.....	22
1.4.2	Breakaway Assembly, Spraydome 1200.....	24
1.4.3	Breakaway Assembly, Grand Cru	26
1.5	Ancillaries	28
1.6	Mounting Components	30
1.6.1	Mounting Assembly, Standard	30
1.6.2	Chassis Extension Arm	31
1.6.3	ATV Poly Rack Mounting System.....	32
1.6.4	ATV Front Rack Mounting Kit	33
1.6.5	Actuator Mounting Kit	34
2	Controllers And Backplates	35
2.1	Controller, Lamp Type, Single	36
2.2	Backplate Assembly, 2-Way.....	38
2.3	Backplate Assembly, 4-Way.....	40
2.4	Backplate Assembly, 6-Way.....	42
2.5	Power Wire Assembly.....	44

Only use spare parts recommended by Micron Group, their agents and/or distributors.

The use of parts not specifically recommended by micron group, their agents and/or distributors may void any warrantee agreements.

Spare parts should only be fitted by suitably qualified and/or experienced persons.

When ordering spare parts, please specify the following information:

- Serial number of system/unit.
- Approximate date of manufacture.
- Description of part.
- Part number as shown in this document.
- Quantity required.

For spare parts and accessories contact:



Bromyard Industrial Estate
Bromyard
Herefordshire
HR7 4HS
U.K.

P.O. Box 1246
Berri 5343
South Australia

T +44 (0)1885 482397

F +44 (0)1885 483043

E enquiries@micron.co.uk

T +61 (0)8 8582 4077

E enquiries@enviromist.com.au

www.microngroup.com

Or your authorised agent:

Agent / Distributor details:

1 SPRAYDOME AND UNDAVINA SUB-ASSEMBLIES

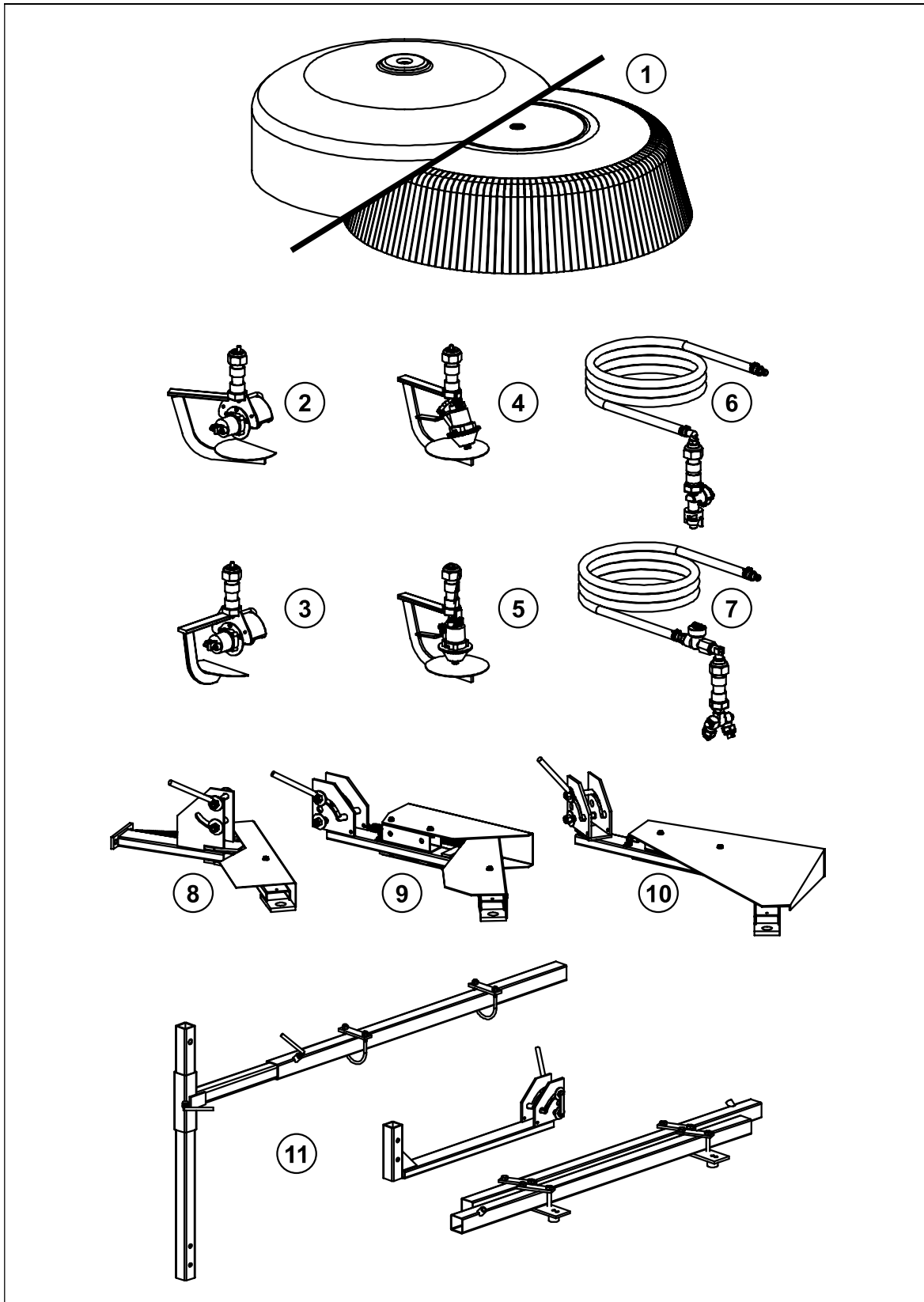


Figure 1 – Spraydome and Undavina Sub-assemblies

Spraydome and Undavina Sub-assemblies

ITEM	PART NO.	DESCRIPTION	SECTION
1	-	DOMES AND SHROUDS	1.1
2	AA449 (RIGHT HAND) AA450 (LEFT HAND)	250 CDA HEAD ASSEMBLY	1.2.1
3	AA275	400 CDA HEAD ASSEMBLY	1.2.2
4	AA276	600/900 CDA HEAD ASSEMBLY	1.2.3
5	AA277	1000/1200 CDA HEAD ASSEMBLY	1.2.4
6	ZU091	HI-FLO NOZZLE ASSEMBLY, SINGLE	1.3
7	ZU091E	HI-FLO NOZZLE ASSEMBLY, TWIN	1.3
8	FZRU100 (RIGHT HAND) FZRU101 (LEFT HAND)	BREAKAWAY GRAND CRU	1.4.3
9	FRZU060 (RIGHT HAND) FRZU061 (LEFT HAND)	BREAKAWAY ASSEMBLY, STANDARD	1.4.1
10	ZU068 (RIGHT HAND) ZU069 (LEFT HAND)	BREAKAWAY ASSEMBLY, SD1200	1.4.2
11	-	MOUNTING COMPONENTS	1.6

For ancillary components refer to section 1.5

For controllers and backplates refer to section 2

1.1 Shroud Components

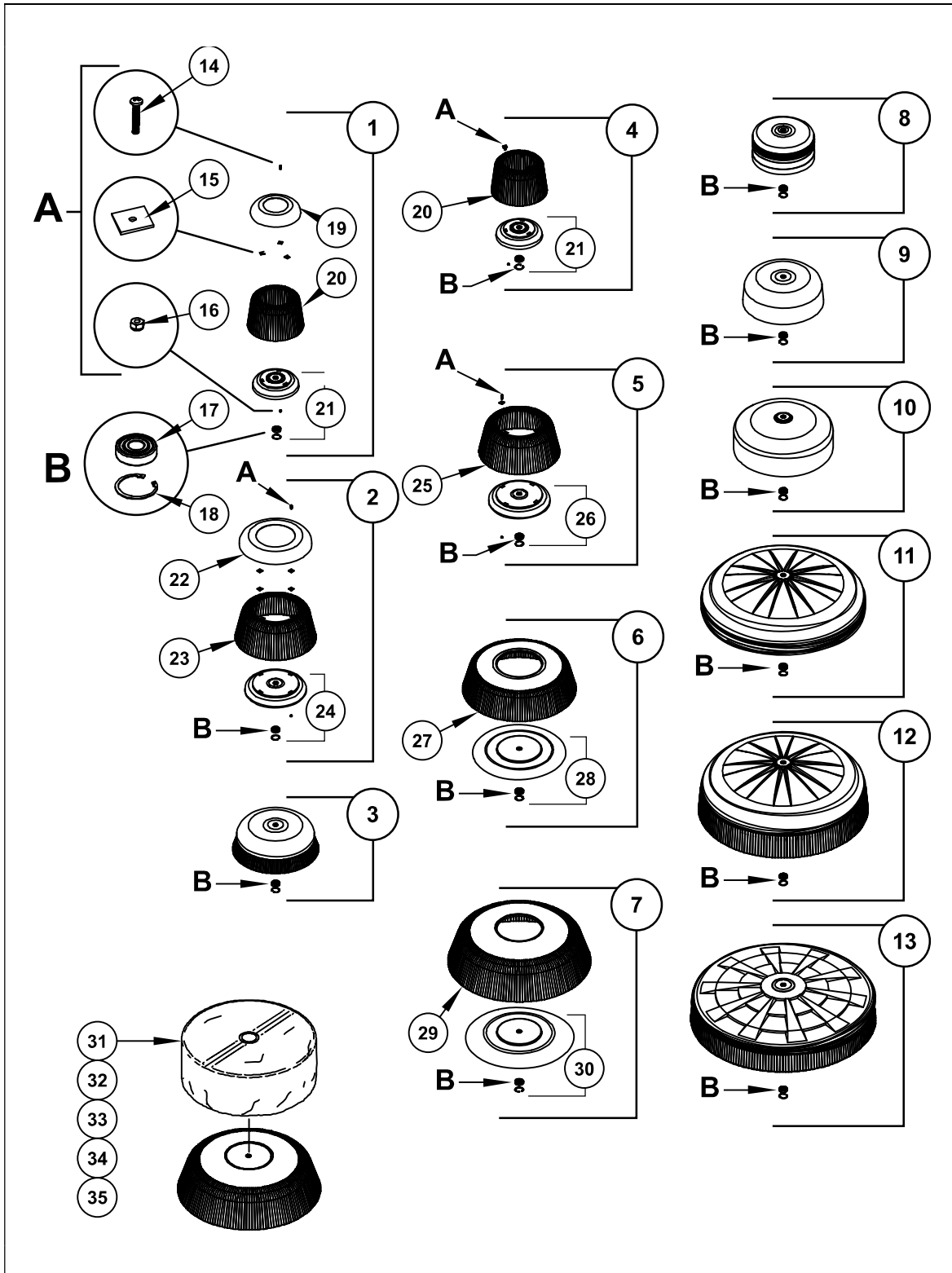


Figure 2 – Shroud Components

Shroud Components - Parts List

ITEM	PART NO.	DESCRIPTION
1	ZU114	UNDAVINA GRAND CRU 250 DISC AND SHROUD ASSEMBLY
2	ZU106	UNDAVINA GRAND CRU 400 DISC AND SHROUD ASSEMBLY
3	ZU102	UNDAVINA GRAND CRU 500 DISC AND SHROUD ASSEMBLY
4	ZU077	UNDAVINA 250 DISC AND SHROUD ASSEMBLY
5	ZU062	UNDAVINA 400 DISC AND SHROUD ASSEMBLY
6	ZU063	UNDAVINA 600 DISC AND SHROUD ASSEMBLY
7	ZU064	UNDAVINA 900 DISC AND SHROUD ASSEMBLY
8	ZD020	SPRAYDOME 400 DOME ASSEMBLY
9	ZD026	SPRAYDOME 500 DOME ASSEMBLY
10	ZD010	SPRAYDOME 600 DOME ASSEMBLY
11	ZD005	SPRAYDOME 1000 DOME ASSEMBLY
12	ZD005B	SPRAYDOME 1000 DOME ASSEMBLY (SOFT EDGE)
13	ZU065	SPRAYDOME 1200 DOME ASSEMBLY
14	UF103	3/16 BSW X 1" PAN PHIL G304 S/S
15	ZU050	SECURING PLATE 25 MM
16	UF120	NUT, 10-24 UNC
17	GB002	BEARING
18	GB003	CIRCLIP, J50 X 2
19	ZU115	UNDAVINA 250 POLY PROTECTION (GRAND CRU)
20	ZU079	BRUSH, UNDAVINA 250
21	ZU078	250 POLY DISK (INCLUDING BEARING AND CIRCLIP)
22	ZU103	UNDAVINA 400 POLY PROTECTION (GRAND CRU)
23	ZU105	GRAND CRU CLASSE 400 SHROUD
24	ZU036	400 POLY DISK (INCLUDING BEARING AND CIRCLIP)
25	ZU037	BRUSH, UNDAVINA 400
26	ZU036	UNDAVINA 400 POLY DISK WITH BEARING
27	ZU033	BRUSH, UNDAVINA 600
28	ZU032	STEEL AND ELASTOMER DISC, UNDAVINA 600
29	ZU018	BRUSH, UNDAVINA 900
30	ZU017	STEEL AND ELASTOMER DISC, UNDAVINA 900
31	AA254	SLIP ON COVER, UNDAVINA 250
32	AA282	SLIP-ON COVER, UNDAVINA 400
33	AA217	SLIP-ON COVER, UNDAVINA 600
34	AA013	SLIP-ON COVER, UNDAVINA 900
35	AA297	SLIP ON COVER, SPRAYDOME 1200

1.2 CDA Head and Bracket Assemblies

1.2.1 250 CDA Head Assembly

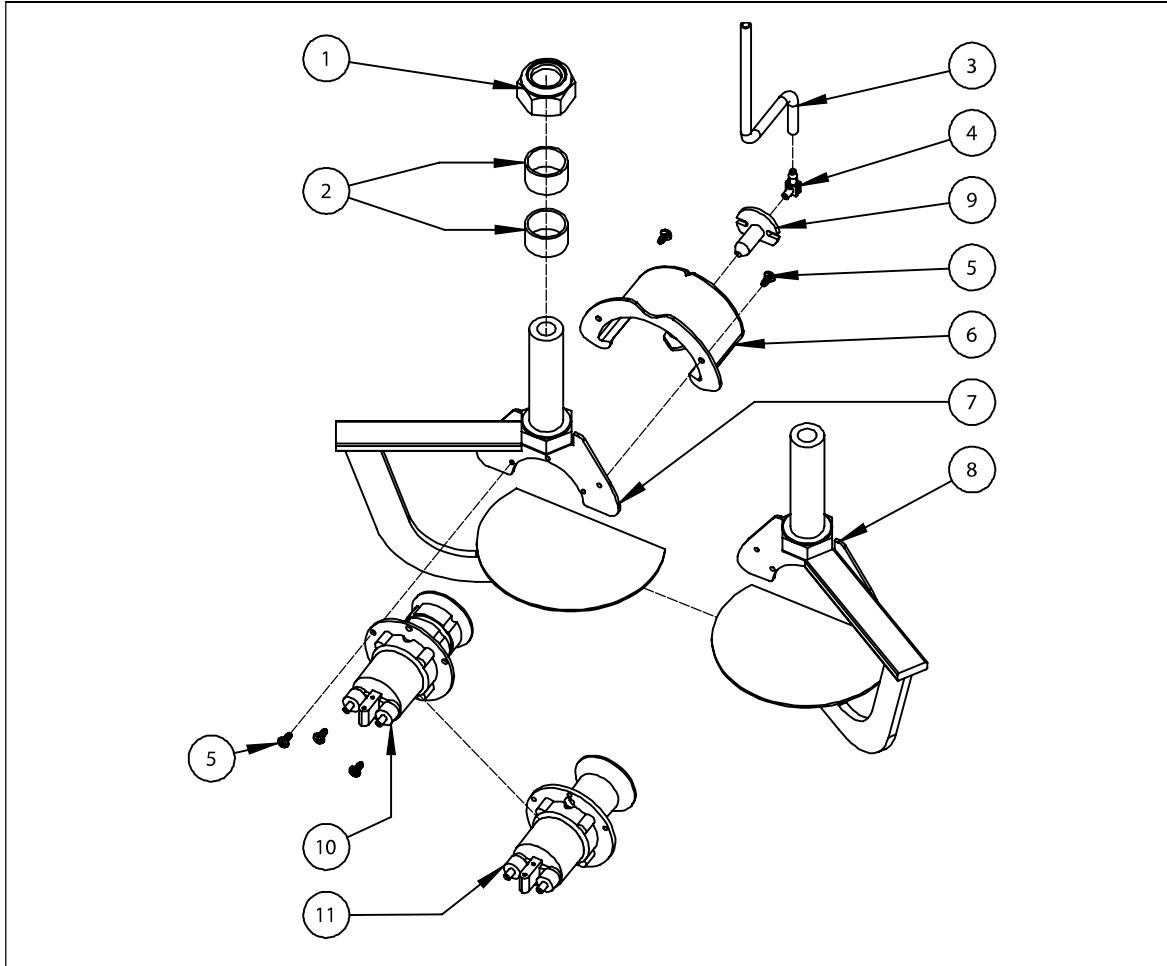


Figure 3 – 250 CDA Head Assembly

ITEM	PART NO.	DESCRIPTION	QTY.
1	UF031	NUT, NYLOC, M20	1
2	ZD001	SPACER	2
3	ZU085	U/V 400 FEED TUBE 6 MM	1
4	ZU023	ELBOW EB4 (MODIFIED)	1
5	UF048	SCREW, 6-20 X 3/8" BZP 25PCRTC SELF TAP	5
6	ZU083	RECIRCULATING CAP	1
7	ZU080	CDA HEAD BRACKET, UNDAVINA 250	1
8	ZU081	CDA HEAD BRACKET, UNDAVINA 250	1
9	ZU089	FEED NOZZLE (MODIFIED)	1
10	ZD004B	CDA ATOMISER HEAD (DRUM TYPE)	1
11	ZD004A	CDA ATOMISER HEAD (OPEN DRUM TYPE)	1

1.2.2 400 CDA Head Assembly

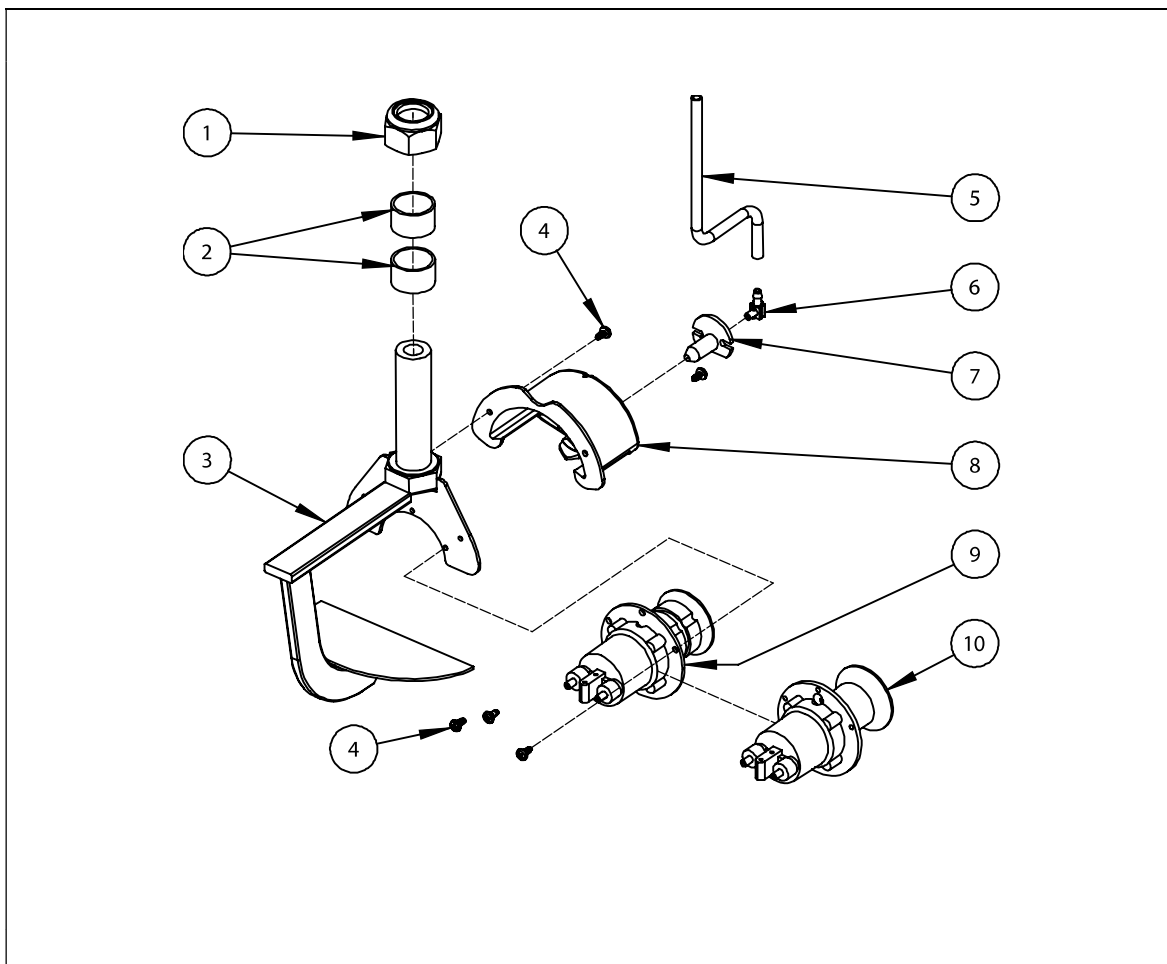


Figure 4 – 400 CDA Head Assembly

ITEM	PART NO.	DESCRIPTION	QTY.
1	UF031	NUT, NYLOC, M20	1
2	ZD001	SPACER	2
3	ZU092	400 HEAD BRACKET (RECIRCULATING)	1
4	UF048	SCREW, 6-20 X 3/8" BZP 25PCRTC SELF TAP	5
5	ZU085	U/V 400 FEED TUBE 6 MM	1
6	ZU023	ELBOW EB4 (MODIFIED)	1
7	ZU089	FEED NOZZLE (MODIFIED)	1
8	ZU083	RECIRCULATING CAP	1
9	ZD004B	CDA ATOMISER HEAD (DRUM TYPE)	1
10	ZD004A	CDA ATOMISER HEAD (OPEN DRUM TYPE)	1

1.2.3 600/900 CDA Head Assembly

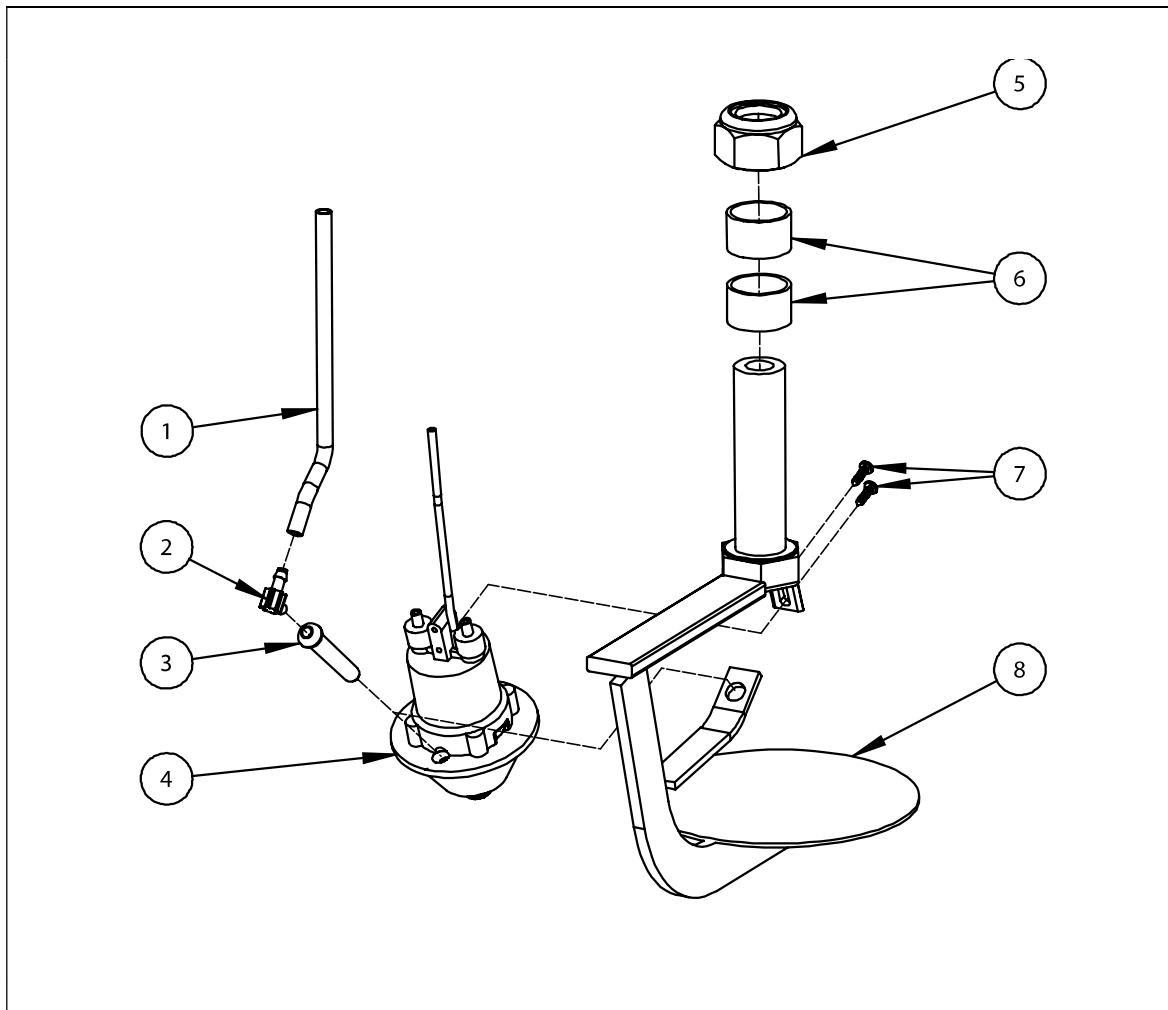


Figure 5 – 600/900 CDA Head Assembly

ITEM	PART NO.	DESCRIPTION	QTY.
1	ZD009	FEED TUBE 6 MM	1
2	ZU023	ELBOW EB4 (MODIFIED)	1
3	MI013	FEED NOZZLE, BLUE	1
4	ZD004	CDA HEAD WITH ATOMISER DISC (ULVA+)	1
5	UF031	NUT, NYLOC, M20	1
6	ZD001	SPACER	2
7	UF010	SCREW, SELF TAPPING, 4BA X 1/2"	2
8	ZU034	600/900 HEAD BRACKET	1

1.2.4 1000/1200 CDA Head Assembly

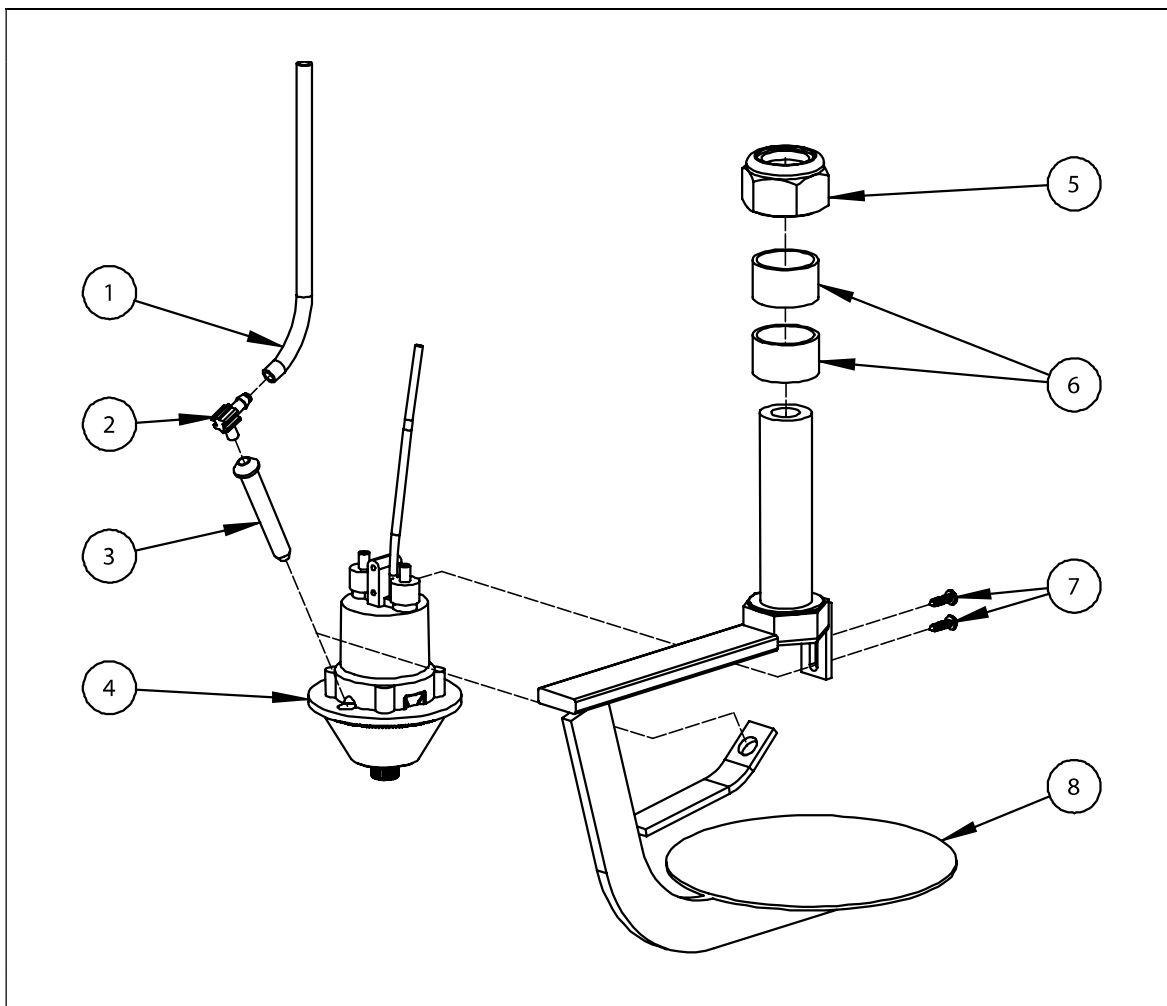


Figure 6 – 1000/1200 CDA Head Assembly

ITEM	PART NO.	DESCRIPTION	QTY.
1	ZD009	FEED TUBE 6 MM	1
2	ZU023	ELBOW EB4 (MODIFIED)	1
3	MI013	FEED NOZZLE, BLUE	1
4	ZD004	CDA HEAD WITH ATOMISER DISC (ULVA+)	1
5	UF031	NUT, NYLOC, M20	1
6	ZD001	SPACER	2
7	UF010	SCREW, SELF TAPPING, 4BA X 1/2"	2
8	ZD003	1000/1200 HEAD BRACKET	1

1.2.5 CDA Head with Atomiser Drum - Type A

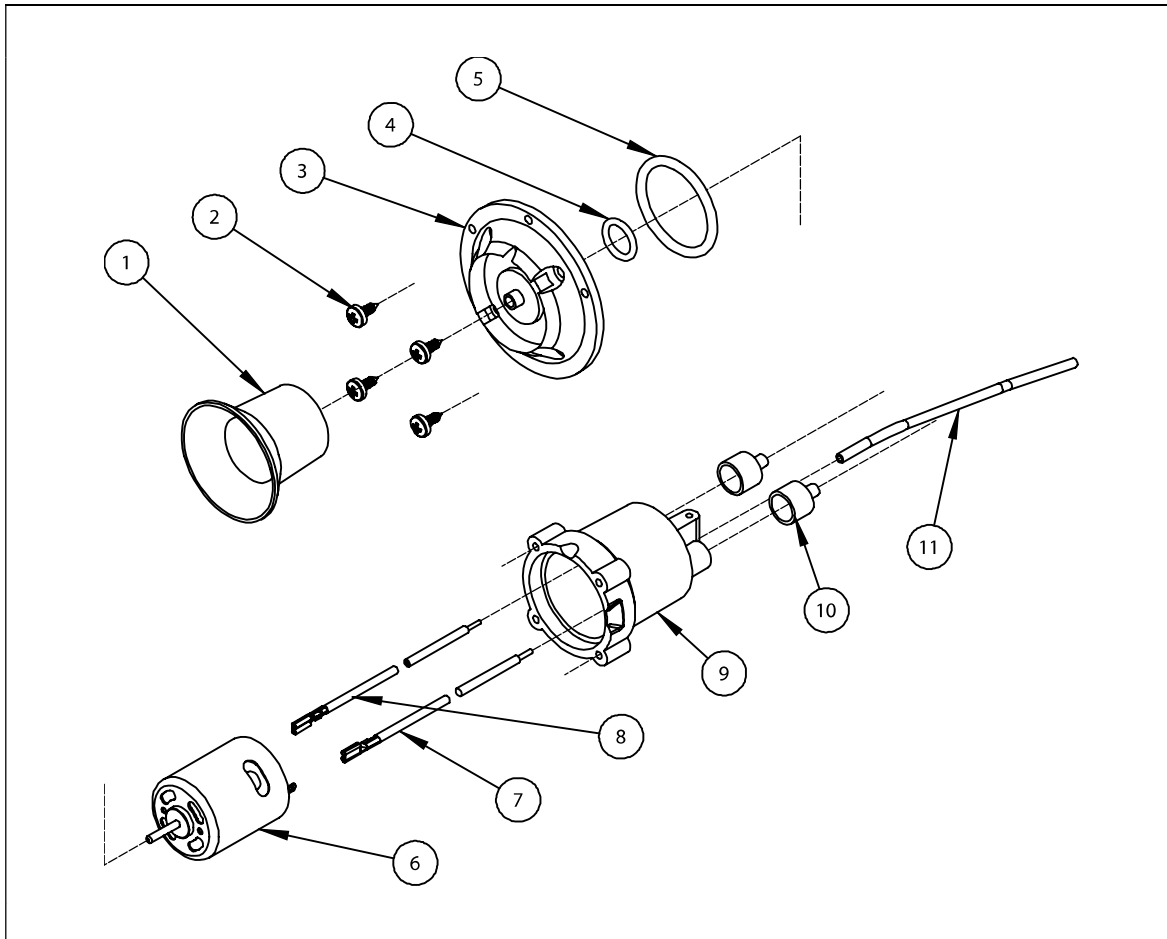


Figure 7 – CDA Head with Atomiser Drum - Type A

ITEM	PART NO.	DESCRIPTION	QTY.
1	ZU082	ATOMISER DRUM	1
2	5399	SCREW, PAN HEAD, NO.6 X 3/8" SS	4
3	MI046A	MOTOR FRONT PLATE, GREEN	1
4	5398	O-RING (ULVA+ MOTOR SHAFT)	1
5	5403	O-RING (ULVA+ MOTOR BODY)	1
6	MI009	MOTOR (ULVA+)	1
7	4134T	WIRE 1 MM X 0.24 M, BLACK (WITH CRIMP TERMINAL)	1
8	4368T	WIRE 1 MM X 0.24 M, RED (WITH CRIMP TERMINAL)	1
9	MI045	MOTOR HOUSING, GREEN	1
10	6717	BOOT, RUBBER	2
11	3512_20	BREATHING TUBE	1

CDA Head with Atomiser Drum - Type B

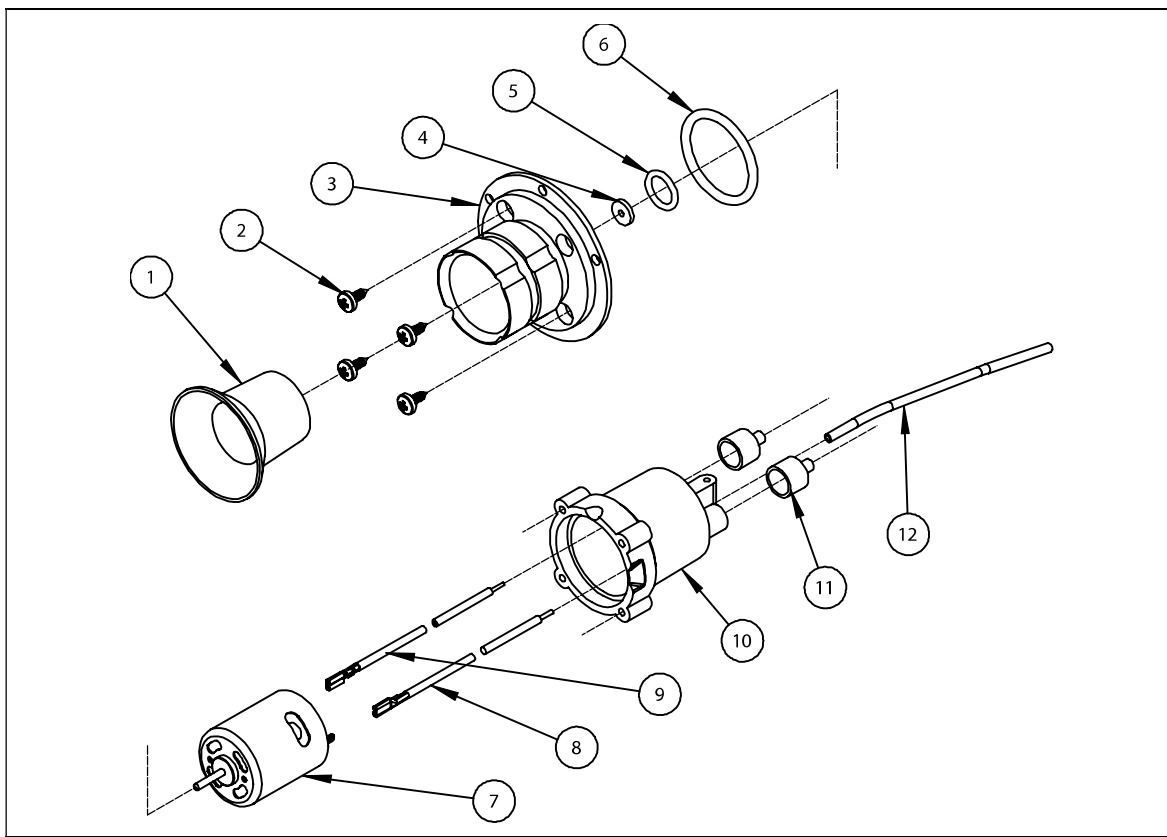


Figure 8 – CDA Head with Atomiser Drum - Type B

ITEM	PART NO.	DESCRIPTION	QTY.
1	ZU082	ATOMISER DRUM	1
2	5399	SCREW, PAN HEAD, NO.6 X 3/8" SS	4
3	ZU094	MOTOR HOUSING FRONT PLATE	1
4	ZU107	FELT WASHER	1
5	5398	O-RING (ULVA+ MOTOR SHAFT)	1
6	5403	O-RING (ULVA+ MOTOR BODY)	1
7	MI009	MOTOR (ULVA+)	1
8	4134T	WIRE 1 MM X 0.24 M, BLACK (WITH CRIMP TERMINAL)	1
9	4368T	WIRE 1 MM X 0.24 M, RED (WITH CRIMP TERMINAL)	1
10	MI045	MOTOR HOUSING, GREEN	1
11	6717	BOOT, RUBBER	2
12	3512_20	BREATHER TUBE	1

1.2.6 CDA Head Assembly with Atomiser Disc - Ulva+

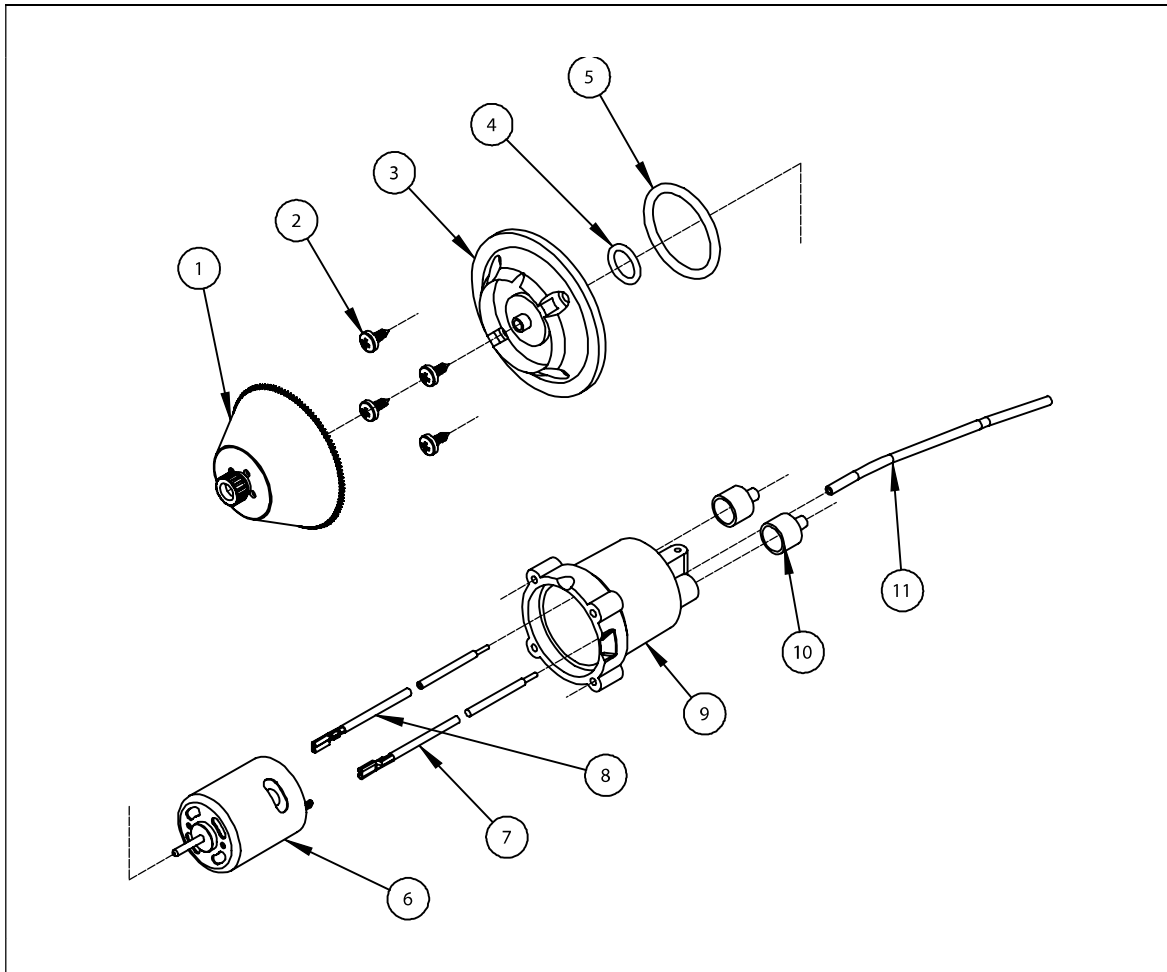


Figure 9 – CDA Head Assembly with Atomiser Disc - Ulva+

ITEM	PART NO.	DESCRIPTION	QTY.
1	MI025	ATOMISER DISC ASSEMBLY	1
2	5399	SCREW, PAN HEAD, NO.6 X 3/8" SS	4
3	MI046	MOTOR FRONT PLATE, GREEN	1
4	5398	O-RING (ULVA+ MOTOR SHAFT)	1
5	5403	O-RING (ULVA+ MOTOR BODY)	1
6	MI009	MOTOR (ULVA+)	1
7	4134T	WIRE 1 MM X 0.24 M, BLACK (WITH CRIMP TERMINAL)	1
8	4368T	WIRE 1 MM X 0.24 M, RED (WITH CRIMP TERMINAL)	1
9	MI045	MOTOR HOUSING, GREEN	1
10	6717	BOOT, RUBBER	2
11	3512_20	BREATHING TUBE	1

1.3 Hi-Flo Nozzle Assemblies

1.3.1 Hi-Flo Nozzle Assembly, Single (Aus Models)

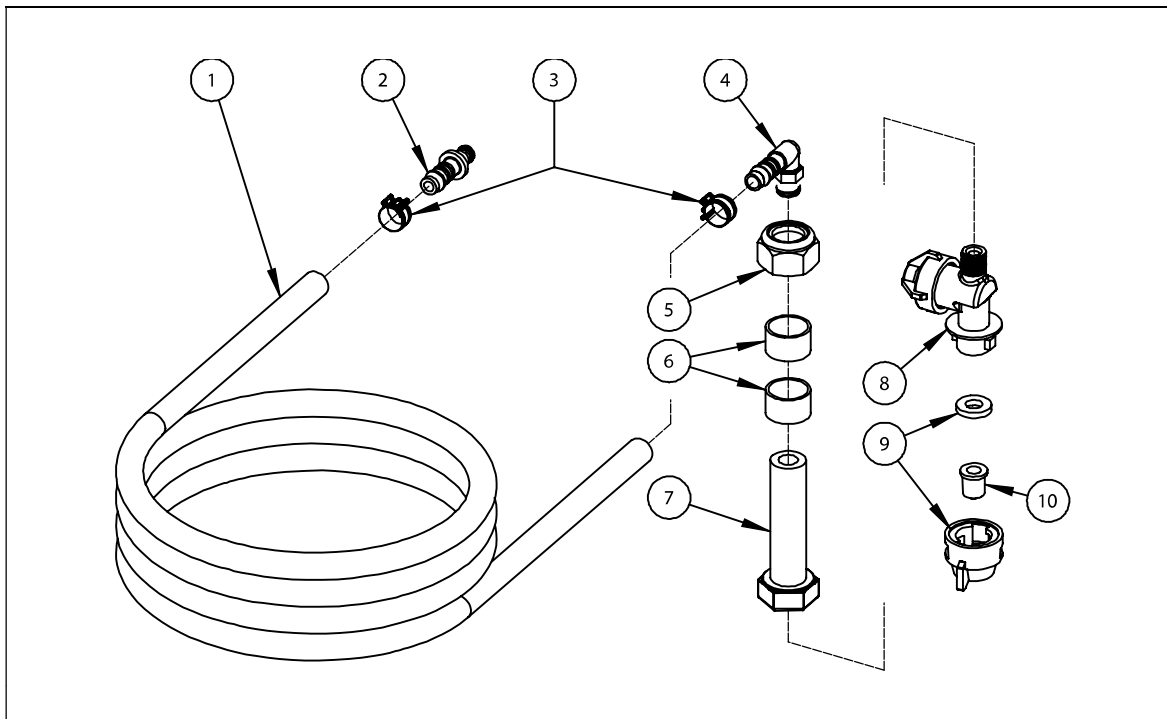


Figure 10 – Hi-Flo Nozzle Assembly, Single

ITEM	PART NO.	DESCRIPTION	QTY.
1	CL059	HOSE, PRESSURE, 10 MM X 4.5 M	1
2	AL032	HOSE CONNECTOR, PLUG, 10 MM	1
3	NH015	CLIP, COBRA	2
4	AL033	ELBOW, MALE 10 MM X 1/4" BSP	1
5	UF031	NUT, NYLOC, M20	1
6	ZD001	SPACER	2
7	UF025S	BOLT, M20 X 75 DRILLED AND TAPPED 1/4" BSP	1
8	CL060	ADAPTER, NOZZLE BODY	1
9	CL061	CAP AND GASKET SET, GREEN	1
10	10148	NOZZLE TIP, FULL CONE 02 (FCX02) ¹	1
	10149	NOZZLE TIP, FULL CONE 03 (FCX03) ¹	
	FL-5/VC	NOZZLE TIP, FULL CONE 05 ¹	
	XR11002-VK	NOZZLE TIP, CERAMIC, 02	
	XR11003-VK	NOZZLE TIP, CERAMIC, 03	
	XR11004-VK	NOZZLE TIP, CERAMIC, 04	

¹ Used on Undavina 250 and Spraydome 250 only

1.3.2 Hi-Flo Nozzle Assembly, Single (UK Models)

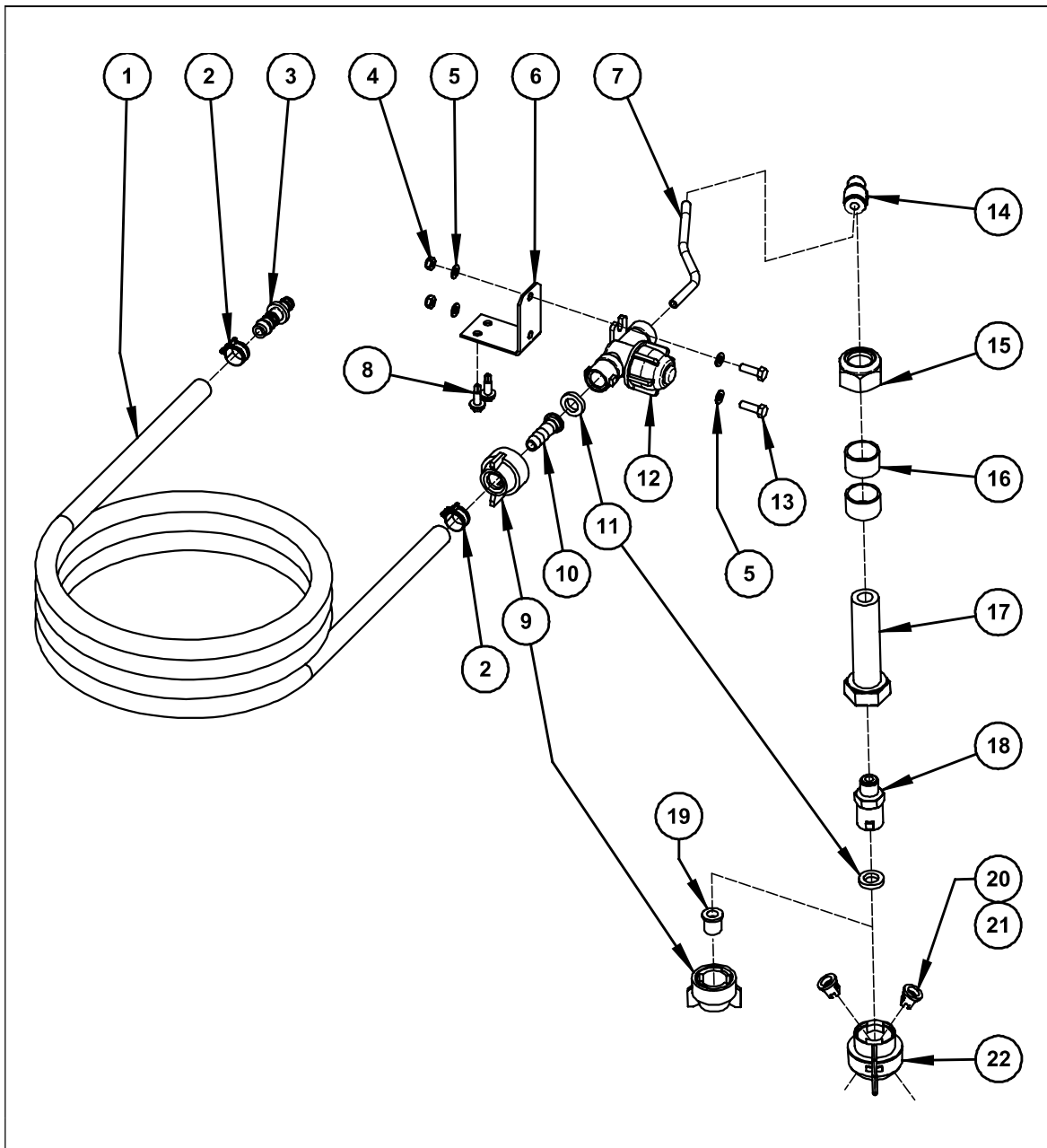


Figure 11 - Hi-Flo Nozzle Assembly, Single (UK Models)

Hi-Flo Nozzle Assembly, Single (UK Models)

ITEM	PART NO.	DESCRIPTION	QTY.
1	8114	HOSE, 3/8", REINFORCED, BLACK	4.5 m
2	NH005	CLIP, 14mm COBRA	2
3	AL032	HOSE CONNECTOR, PLUG, 10mm	1
4	5112	NUT M5 NYLOC	2
5	5997	WASHER, M5, FLAT, S/S, A2, FORM B	4
6	10522	BRACKET NOZZLE BODY	1
7	6740	TUBE 6MM X 4MM	0.15 m
8	UF014	TEK-SCREW, 10x16x16, HEX HEAD, ZP	2
9	8139	NOZZLE CAP	2 ¹
10	5332	HOSE BARB	1
11	8140	SEAL	2
12	10515	NOZZLE BODY 1/4" PTC X BAYONET	1
13	4915	SCREW M5 x 16	2
14	10516	ADAPTER, G 1/4 MALE, PUSH IN 6 mm 90° SWIVEL	1
15	UF031	NUT M20	1
16	ZD001	SPACER	2
17	UF025S	BOLT M20 X 75 SS304	1
18	10505	ADAPTOR 1/4" BSP X QUICK ATTACH	1
19	8075	NOZZLE, FCX3, FULL CONE	1 ²
20	8713	NOZZLE VP110-015 - 110°	2 ³
21	10503	NOZZLE VP8002 - 80°	2 ³
22	10504	TWIN CAP	1 ³

¹ Quantity 2 for Spraydome and Undavina models smaller than 400 mm diameter, Quantity 1 for Spraydome and Undavina models 400 mm to 600 mm diameter

²For use with Spraydome and Undavina models smaller than 400 mm diameter

³ For use with Spraydome and Undavina models from 400 mm to 600 mm diameter

1.3.3 Hi-Flo Nozzle Assembly, Twin

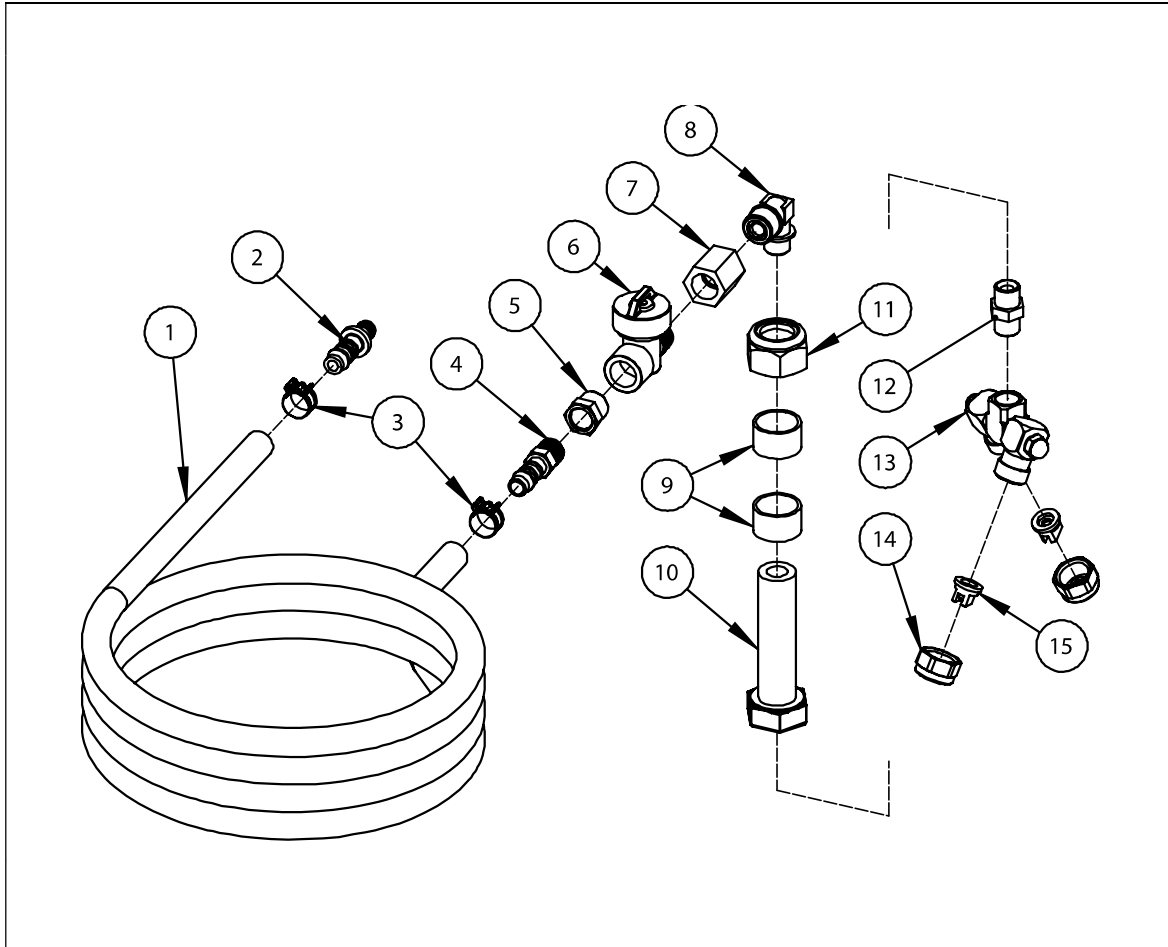


Figure 12 – Hi-Flo Nozzle Assembly, Twin

Hi-Flo Nozzle Assembly, Twin - Parts List

ITEM	PART NO.	DESCRIPTION	QTY.
1	CL059	HOSE, PRESSURE, 10 MM X 4.5 M	1
2	AL032	HOSE CONNECTOR, PLUG, 10 MM	1
3	NH015	CLIP, COBRA	2
4	AL039	HOSE CONNECTOR, STRAIGHT, 10 MM X 1/4" MALE	1
5	BI007	BUSH, 3/8" X 1/4"	1
6	ZT002	VALVE, NON-DRIP	1
7	BI004	COUPLING, 3/8" FEMALE	1
8	AL020	REDUCING ELBOW, 3/8" X 1/4"	1
9	ZD001	SPACER	2
10	UF025S	BOLT, M20 X 75 DRILLED AND TAPPED 1/4" BSP	1
11	UF031	NUT, NYLOC, M20	1
12	BI009	NIPPLE, 1/4"	1
13	7450-2T	DOUBLE SWIVEL NOZZLE, TYPE 7450	1
14	CP1325	NOZZLE CAP, BRASS	2
15	XR11002-VK	NOZZLE TIP, CERAMIC, 02	2
	XR11003-VK	NOZZLE TIP, CERAMIC, 03	
	XR11004-VK	NOZZLE TIP, CERAMIC, 04	

1.4 Breakaway Assemblies

1.4.1 Breakaway Assembly, Standard

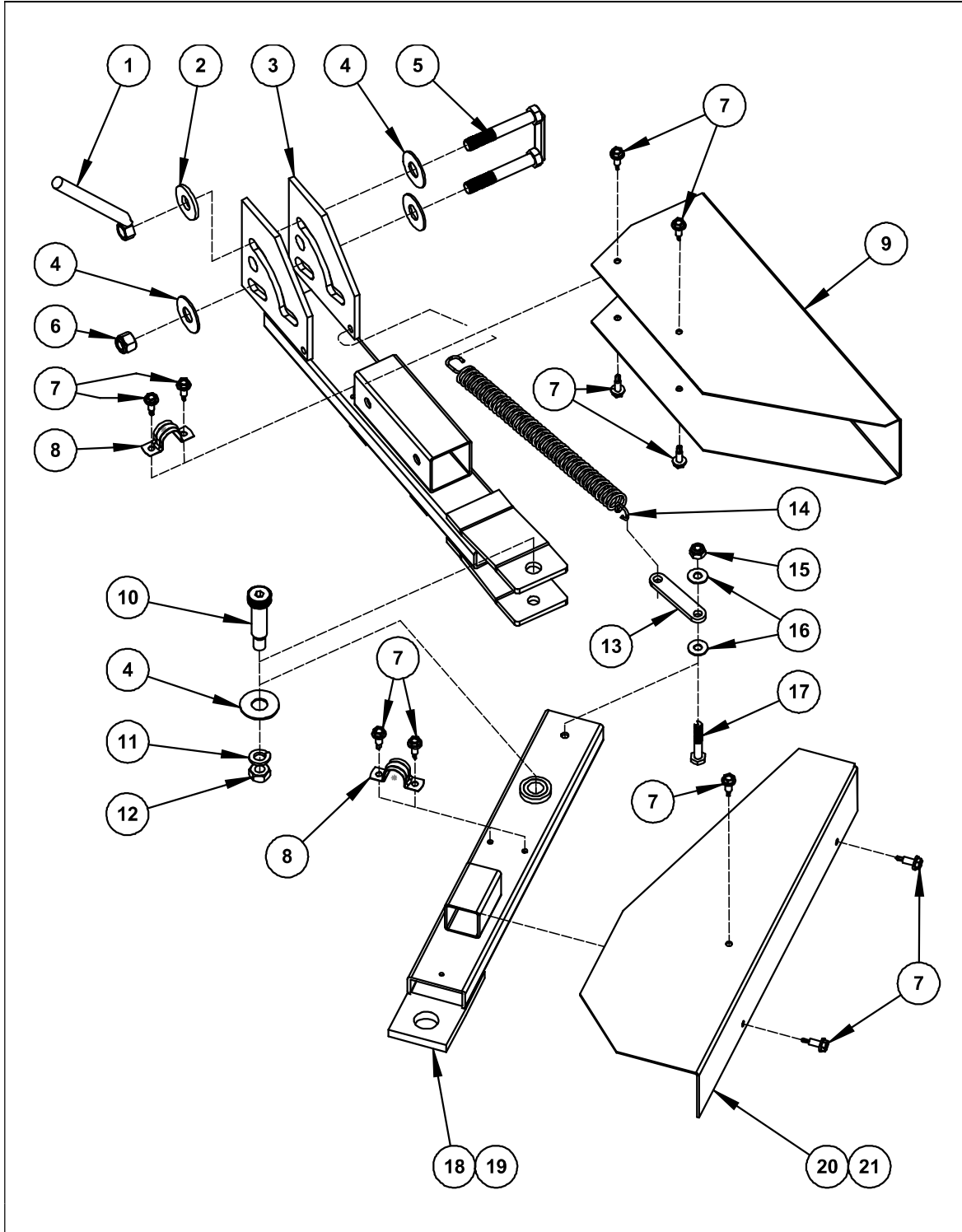


Figure 13 – Breakaway Assembly, Standard

Breakaway Assembly, Standard - Parts List

ITEM	PART NO.	DESCRIPTION	QTY.
1	ZU010	CHASSIS CLAMP NUT	1
2	FJ001	WASHER, FLAT, 3/8 X 1 1/4 X 1/8	1
3	ZU058	CHASSIS ARM XT UNIVERSAL	1
4	UF005	WASHER, FLAT, 3/8 X 1 1/4 X 16G BZP	4
5	ZU009	CLAMP BOLT ASSEMBLY	1
6	UF029	NUT, 3/8 UNC, NYLOC BZP	1
7	UF014	TEK-SCREW, 10X16X16, HEX HEAD, BZP	11
8	GE001	SADDLE CLAMP, 16 mm	2
9	ZU074	UNIVERSAL GUARD	1
10	UF073	SHOULDER BOLT, 1/2" X 1 1/2"	1
11	UF009	SPRING WASHER, 3/8"	1
12	UF032	NUT, 3/8" BSW BZP	1
13	ZU005	CONNECTING LINK	1
14	IE001	TENSION SPRING	1
15	UF028	NUT, 1/4" BSW, NYLOC, BZP	1
16	UF004	WASHER, FLAT, 1/4" X 5/8 X 18G, BZP	2
17	UF017	BOLT, 1/4" BSW X 1 1/2", BZP	1
18	ZU059	PIVOT ARM	1
19	DE009	BUSH, NYLON	
20	ZU075	CHASSIS GUARD RIGHT HAND	1
21	ZU076	CHASSIS GUARD LEFT HAND	

1.4.2 Breakaway Assembly, Spraydome 1200

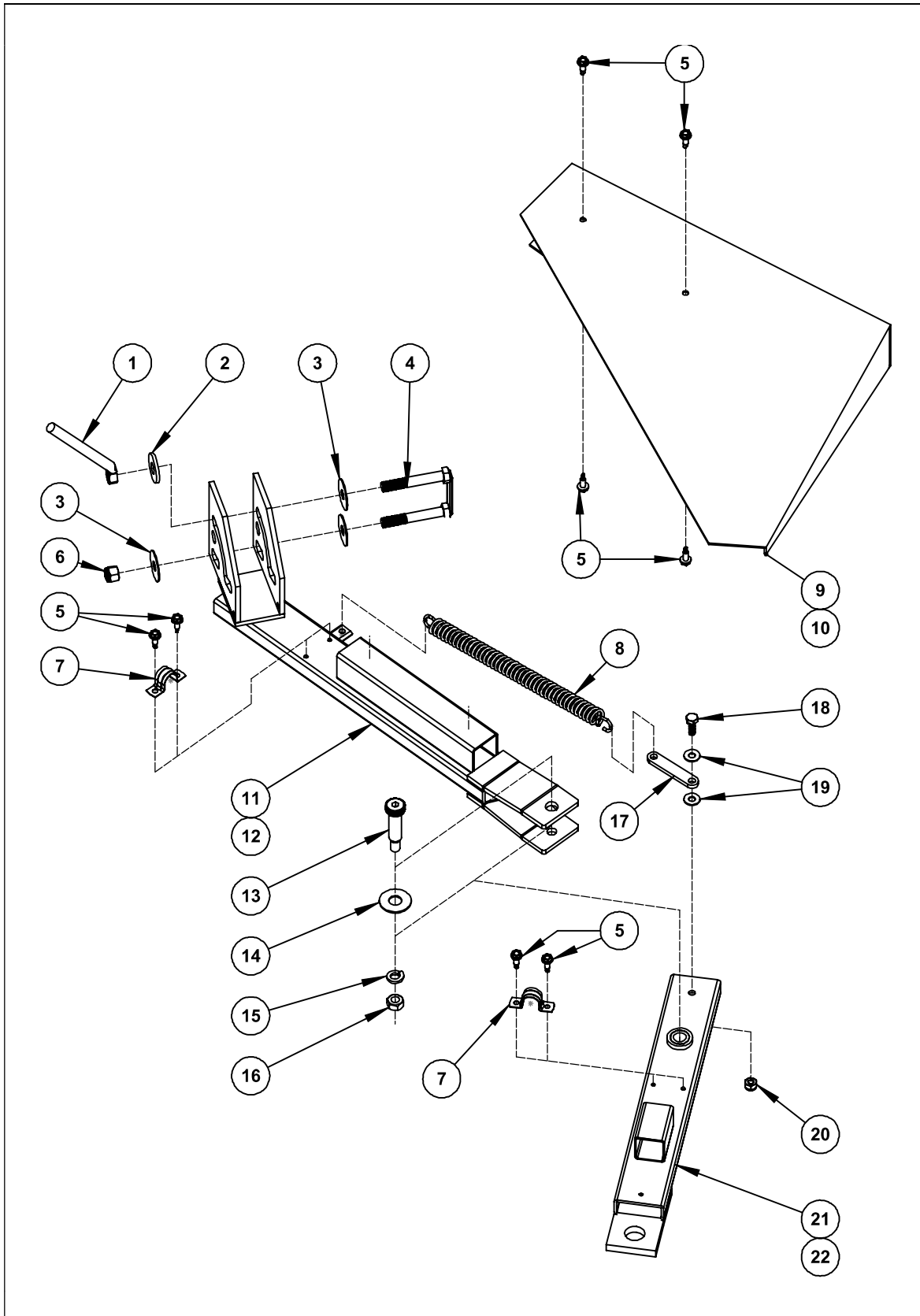


Figure 14 – Breakaway Assembly – Spraydome 1200

Breakaway Assembly – Spraydome 1200

ITEM	PART NO.	DESCRIPTION	QTY.
1	ZU010	CHASSIS CLAMP NUT	1
2	FJ001	WASHER, FLAT, 3/8 X 1 1/4 X 1/8	1
3	UF005	WASHER, FLAT, 3/8 X 1-1/4 X 16G, BZP	3
4	ZU009	CLAMP BOLT ASSEMBLY	1
5	UF014	TEK-SCREW, 10X16X16, HEX HEAD, BZP	8
6	UF029	NUT, 3/8 UNC, NYLOC BZP	1
7	GE001	SADDLE CLAMP, 16 mm	2
8	IE005	TENSION SPRING	1
9	RO016	CHASSIS GUARD SD1200 RIGHT HAND	1
10	RO017	CHASSIS GUARD SD1200 LEFT HAND	
11	ZU066	CHASSIS ARM SD1200 RIGHT HAND	1
12	ZU067	CHASSIS ARM SD1200 LEFT HAND	
13	UF073	SHOULDER BOLT, 1/2" X 1 1/2"	1
14	UF007	WASHER, FLAT, 1/2 X 1/4 BZP	1
15	UF009	SPRING WASHER, 3/8"	1
16	UF032	NUT, 3/8" BSW BZP	1
17	ZU005	CONNECTING LINK	1
18	UF016	SET SCREW, 1/4" BSW X 3/4" BZP	1
19	UF004	WASHER, FLAT, 1/4" X 5/8 X 18G, BZP	2
20	UF028	NUT, 1/4" UNC, NYLOC, BZP	1
21	ZU059	PIVOT ARM	1
22	DE009	BUSH, NYLON	1

Breakaway Assembly – Grand Cru

ITEM	PART NO.	DESCRIPTION	QTY.
1	ZU098U	GRAND CRU CHASSIS ARM	1
2	FJ001	WASHER, FLAT, 3/8 X 1 1/4 X 1/8	1
3	ZU010	CHASSIS CLAMP NUT	1
4	UF029	NUT, 3/8 BSW, NYLOC BZP	1
5	UF005	WASHER, FLAT, 3/8 X 1-1/4 X 16G, BZP	3
6	UF073	SHOULDER BOLT, 1/2" X 1 1/2"	1
7	UF007	WASHER, FLAT, 1/2 X 1/4 BZP	1
8	UF009	SPRING WASHER, 3/8"	1
9	UF032	NUT, 3/8" BSW	1
10	ZU009	CLAMP BOLT ASSEMBLY	1
11	IE005	TENSION SPRING	1
12	ZU005	CONNECTING LINK	1
13	UF028	NUT, 1/4" BSW, NYLOC, BZP	1
14	UF004	WASHER, FLAT, 1/4" X 5/8 X 18G, BZP	2
15	UF017	BOLT, 1/4" BSW X 1 1/2", BZP	1
16	ZU075G ZU076G	CHASSIS GUARD L/H (not shown) CHASSIS GUARD R/H	1
17	UF076	12-14X20 BZP HEX HD TEK SCREW	5
18	GE001	SADDLE CLAMP 16 MM	1
19	ZU059	SLEEVED PIVOT ARM	1
20	ST051	CHAIN, 7/8" LINK, 1/8" WIRE, ZP (NOT SHOWN)	1
21	ST052	D SHACKLE, 5 MM (NOT SHOWN)	1

1.5 Ancillaries

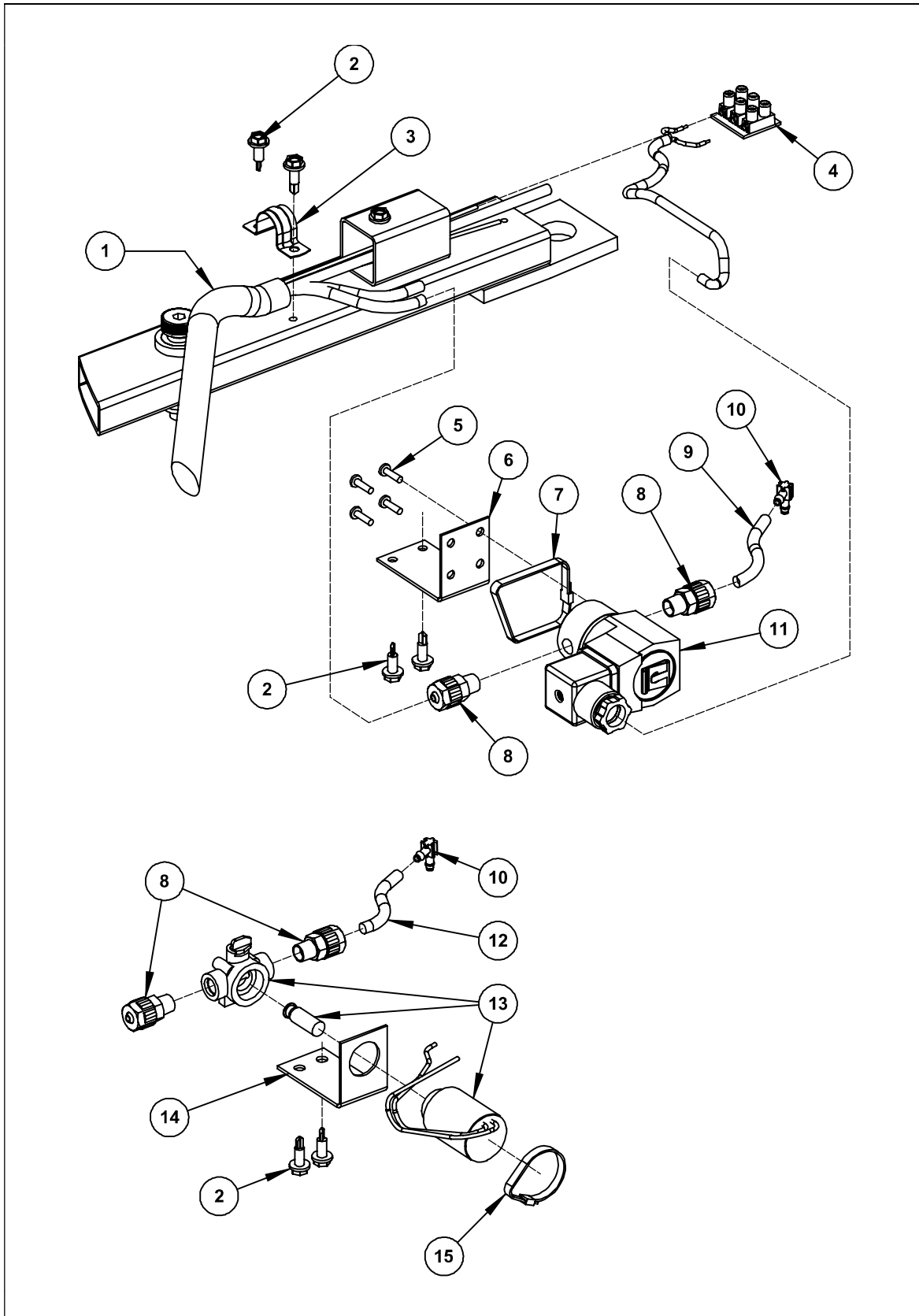


Figure 16 – Ancillaries

Ancillaries - Parts List

ITEM	PART NO.	DESCRIPTION	QTY.
1	ZU031 ZU031/15 ZU031/18 ZU031/22 ZU031/25 ZU031/30 ZU031/35 ZU031/40	HOSE AND CABLE ASSEMBLY 3.3 METRES HOSE AND CABLE ASSEMBLY 4.5 METRES HOSE AND CABLE ASSEMBLY 5.4 METRES HOSE AND CABLE ASSEMBLY 6.7 METRES HOSE AND CABLE ASSEMBLY 7.6 METRES HOSE AND CABLE ASSEMBLY 9.1 METRES HOSE AND CABLE ASSEMBLY 10.6 METRES HOSE AND CABLE ASSEMBLY 12.1 METRES	1
2	UF014	TEK-SCREW, 10X16X16, HEX HEAD, BZP	15
3	GE001	SADDLE CLAMP, 16 mm	2
4	ZE008	CONNECTOR, 3 WAY	1
5	UF094	SCREW, SIZE 6 X 1/2" UNC, BZP	4
6	ZE016	BRACKET (GOYEN SOLENOID)	1
7	GE042	CABLE TIE	1
8	AL014	ADAPTER, 1/8 BSP X 6 MM	4
9	BI040	HOSE 6 MM (GOYEN SOLENOID OUTLET)	1 ¹
10	ZU025	ELBOW EB4 (MODIFIED)	2
11	GO001	GOYEN SOLENOID COMPLETE	1
12	BI040	HOSE, 6 MM (BACARA SOLENOID OUTLET)	1 ¹
13	BI044	SOLENOID, BACARA (WITH MANUAL OVERRIDE)	1
14	ZE009	BRACKET (BACARA SOLENOID)	1
15	GE023	CABLE TIE	1

¹ State length required when ordering this component

1.6 Mounting Components

1.6.1 Mounting Assembly, Standard

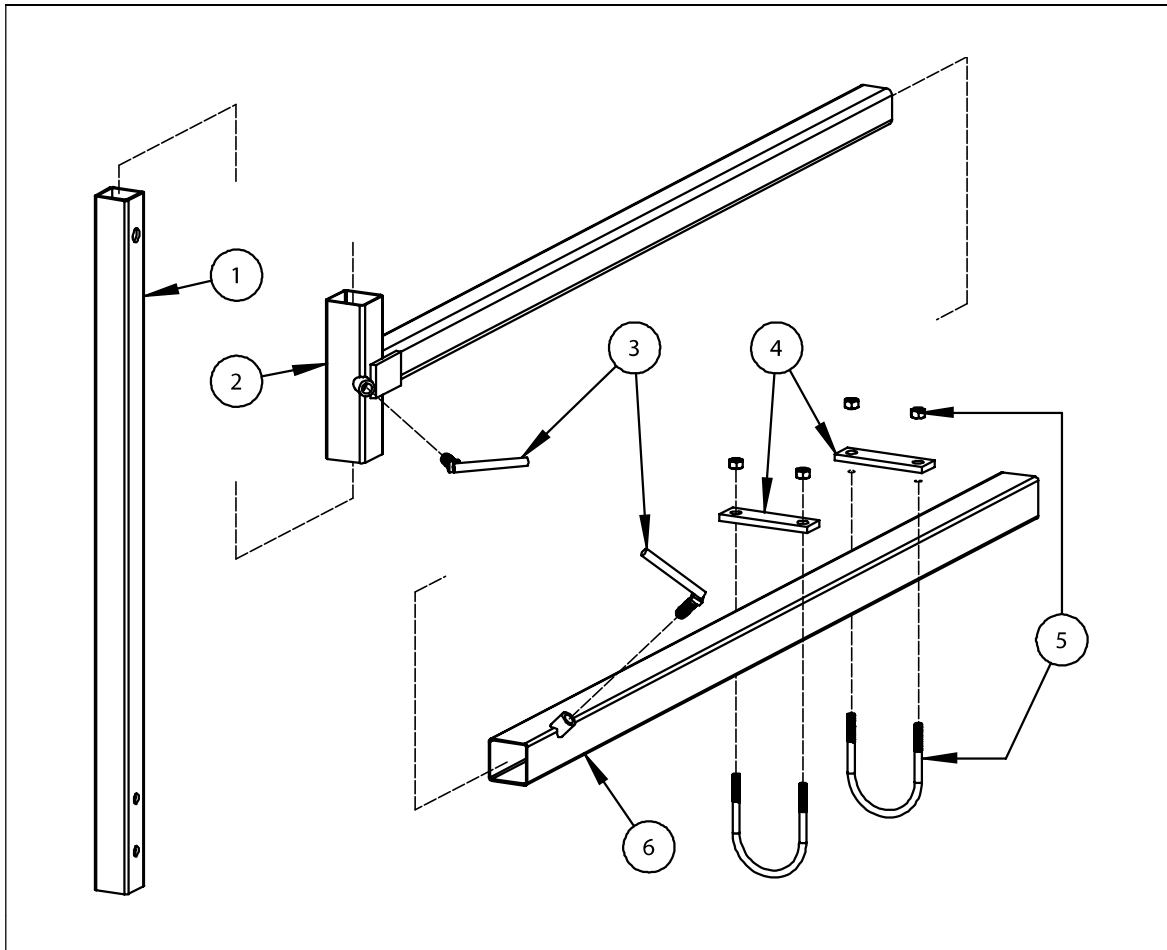


Figure 17 – Mounting Assembly, Standard

ITEM	PART NO.	DESCRIPTION	QTY.
1	ZU011	VERTICAL TUBE, MOUNTING BRACKET	1
2	ZU012	ADJUSTMENT ARM	1
3	ZU015	CLAMP BOLT	2
4	ZU022	CLAMP PLATE	2
5	SC001	U' BOLT (INCLUDING NUTS)	2
6	ZU013	MOUNTING TUBE	1

1.6.2 Chassis Extension Arm

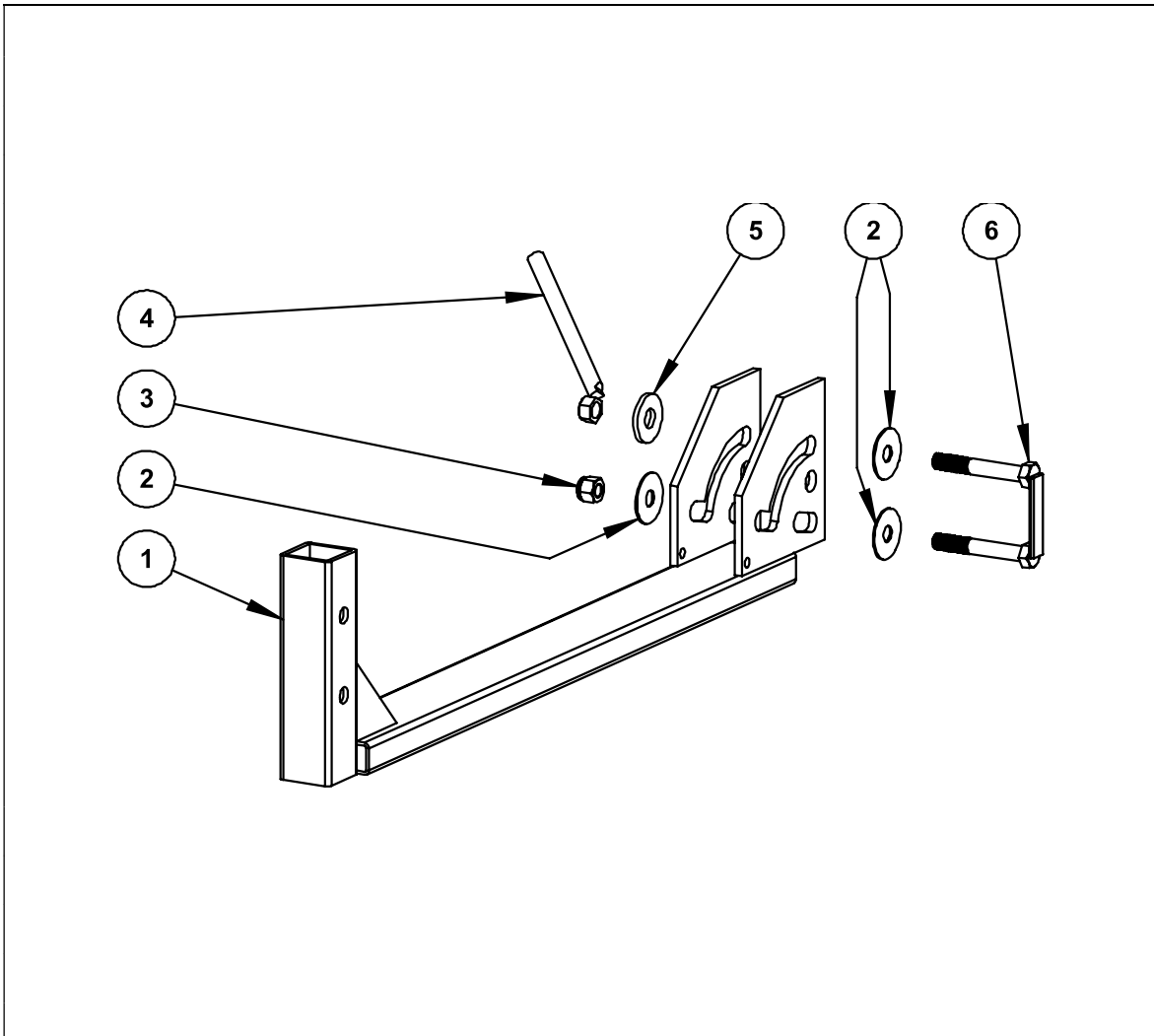


Figure 18 – Chassis Extension Arm

ITEM	PART NO.	DESCRIPTION	QTY.
1	ZU035	CHASSIS EXTENSION ARM	1
2	UF005	WASHER, FLAT, 3/8 X 1-1/4 X 16G, BZP	3
3	UF029	NUT, 3/8 BSW, NYLOC BZP	1
4	ZU010	CHASSIS CLAMP NUT	1
5	FJ001	WASHER, FLAT, 3/8 X 1 1/4 X 1/8	1
6	ZU009	CLAMP BOLT ASSEMBLY	1

1.6.3 ATV Poly Rack Mounting System

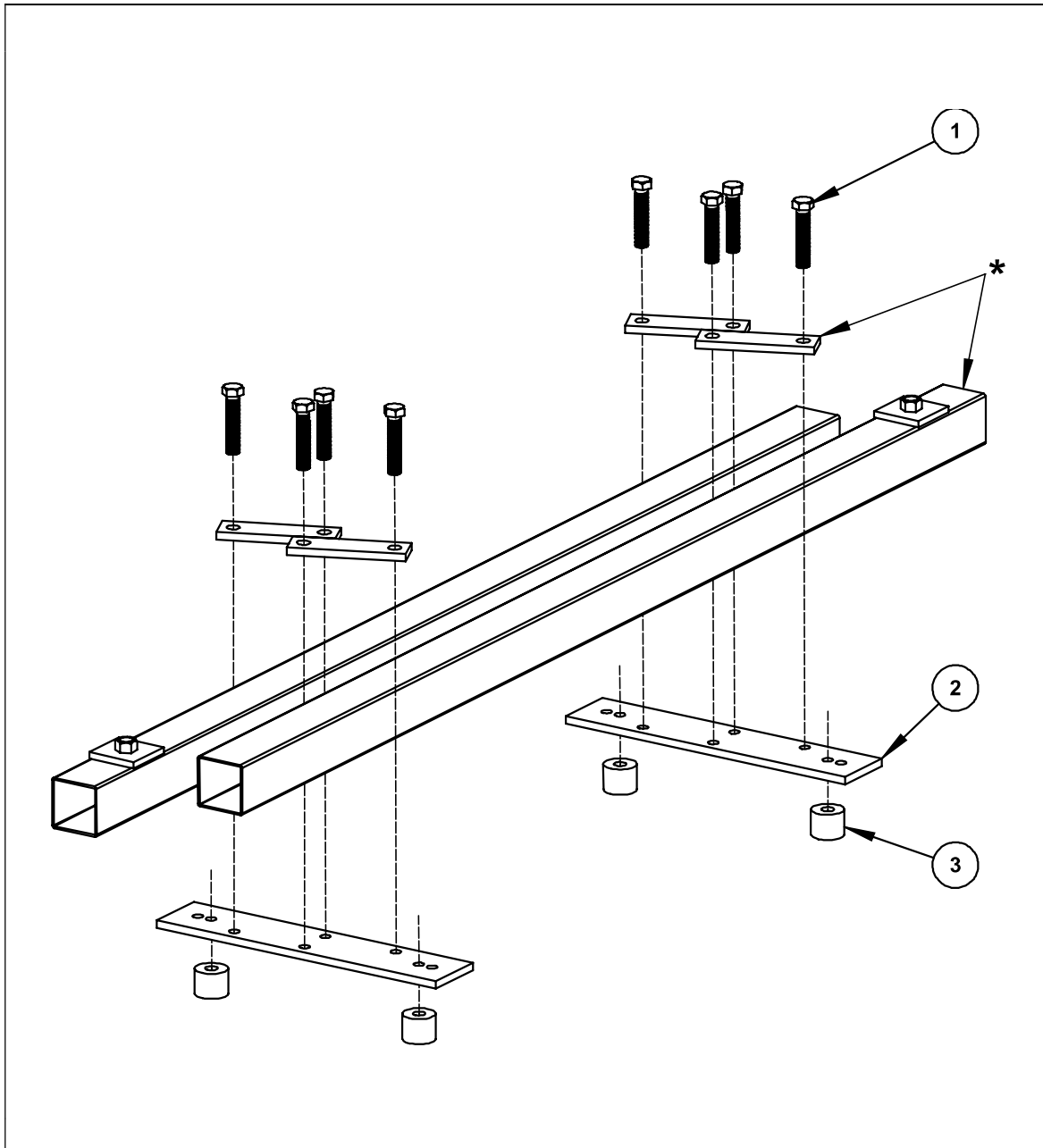


Figure 19 – ATV Poly Rack Mounting System

ITEM	PART NO.	DESCRIPTION	QTY.
1	UF021	BOLT, 3/8" X 2"	8
2	ZU057	MOUNTING PLATE, ATV POLY RACK	2
3	ZU072	SPACER, ATV POLY RACK	4
*	-	SUPPLIED AS PART OF THE STANDARD MOUNTING	

1.6.4 ATV Front Rack Mounting Kit

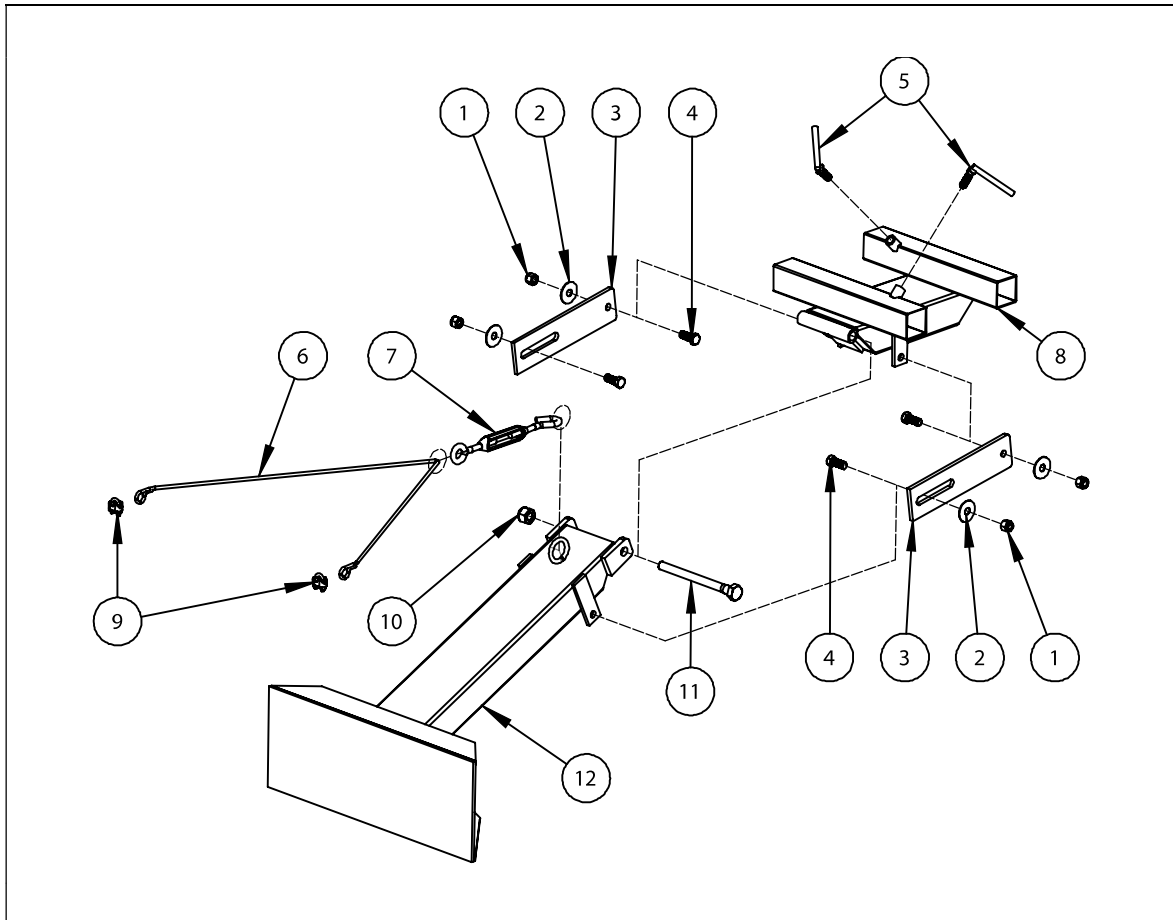


Figure 20 – ATV Front Rack Mounting Kit

ITEM	PART NO.	DESCRIPTION	QTY.
1	UF029	NUT, 3/8 BSW, NYLOC BZP	4
2	UF005	WASHER, FLAT, 3/8 X 1-1/4 X 16G, BZP	4
3	ZU097	FRONT RACK MOUNT ADJUSTMENT PLATE	2
4	UF018	3/8 X 1" BOLT	4
5	ZU015	CLAMP BOLT	2
6	ZU104	FRONT RACK MOUNT - SUPPORT WIRE	1
7	ST047	5/16" TURNBUCKLE - HOOK/EYE	1
8	ZU095	FRONT RACK MOUNT - TOP SUPPORT	1
9	ST048	ROPE GRIP - 4 MM	2
10	UF030	1/2 NYLOC NUT	1
11	UF200	1/2 BSW X 5 1/2" BZP BOLT	1
12	ZU096	FRONT RACK MOUNT - LOWER SUPPORT	1

1.6.5 Actuator Mounting Kit

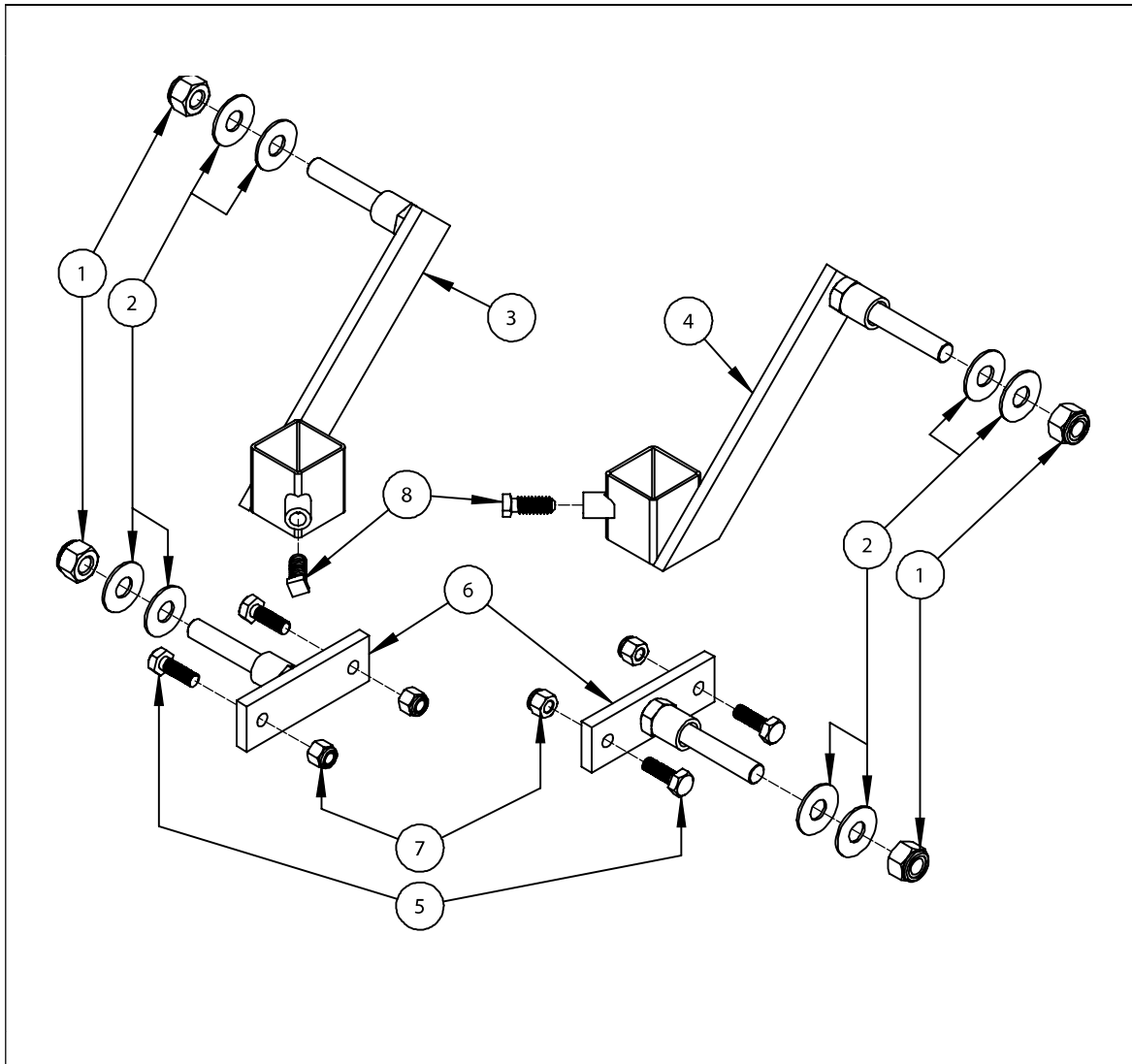


Figure 21 – Actuator Mounting Kit

ITEM	PART NO.	DESCRIPTION	QTY.
1	UF030	1/2 NYLOC NUT	4
2	UF007	WASHER, FLAT, 1/2 X 1/4 BZP	8
3	ZE014L	TOP MOUNT LEFT HAND	1
4	ZE014	TOP MOUNT RIGHT HAND	1
5	UF041	SET SCREW, 5/16 BSW X 1 BZP	4
6	ZE015	LOWER MOUNT	2
7	UF052	NUT, NYLOC, 5/16 BSW	4
8	UF056	SET SCREW, 3/8 X 1	2

2 CONTROLLERS AND BACKPLATES

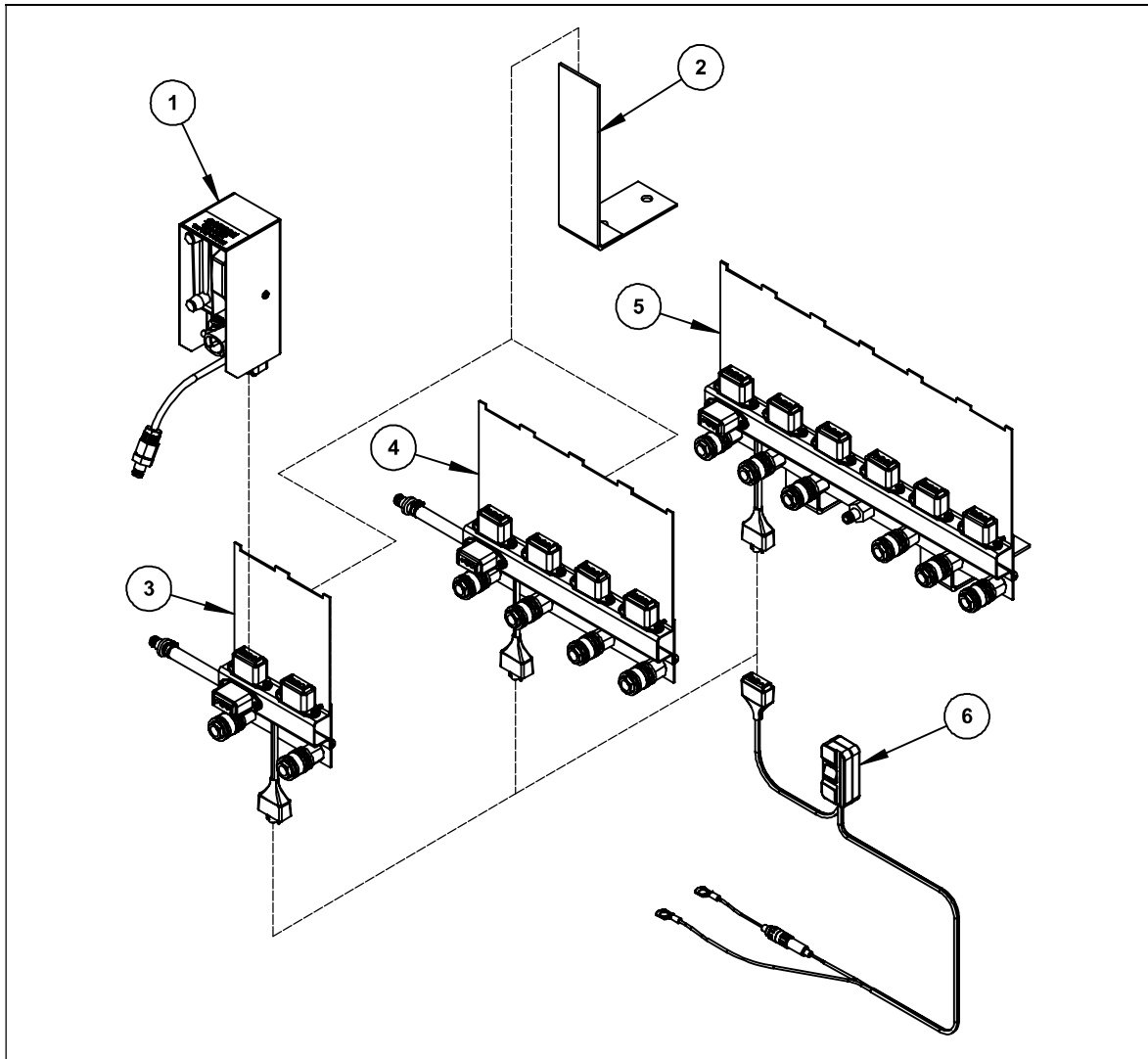


Figure 22 – Controllers and Backplates

ITEM	PART NO.	DESCRIPTION	SECTION
1	AA249	CONTROL BOX, SINGLE	2.1
2	BBZP009	BACKPLATE MOUNT BRACKET	-
3	AA240	BACKPLATE ASSEMBLY, 2 WAY	2.2
4	AA243	BACKPLATE ASSEMBLY, 4 WAY	2.3
5	AA242	BACKPLATE ASSEMBLY, 6 WAY	2.4
6	BBZP020	BACKPLATE POWER WIRE ASSEMBLY	-

2.1 Controller, Lamp Type, Single

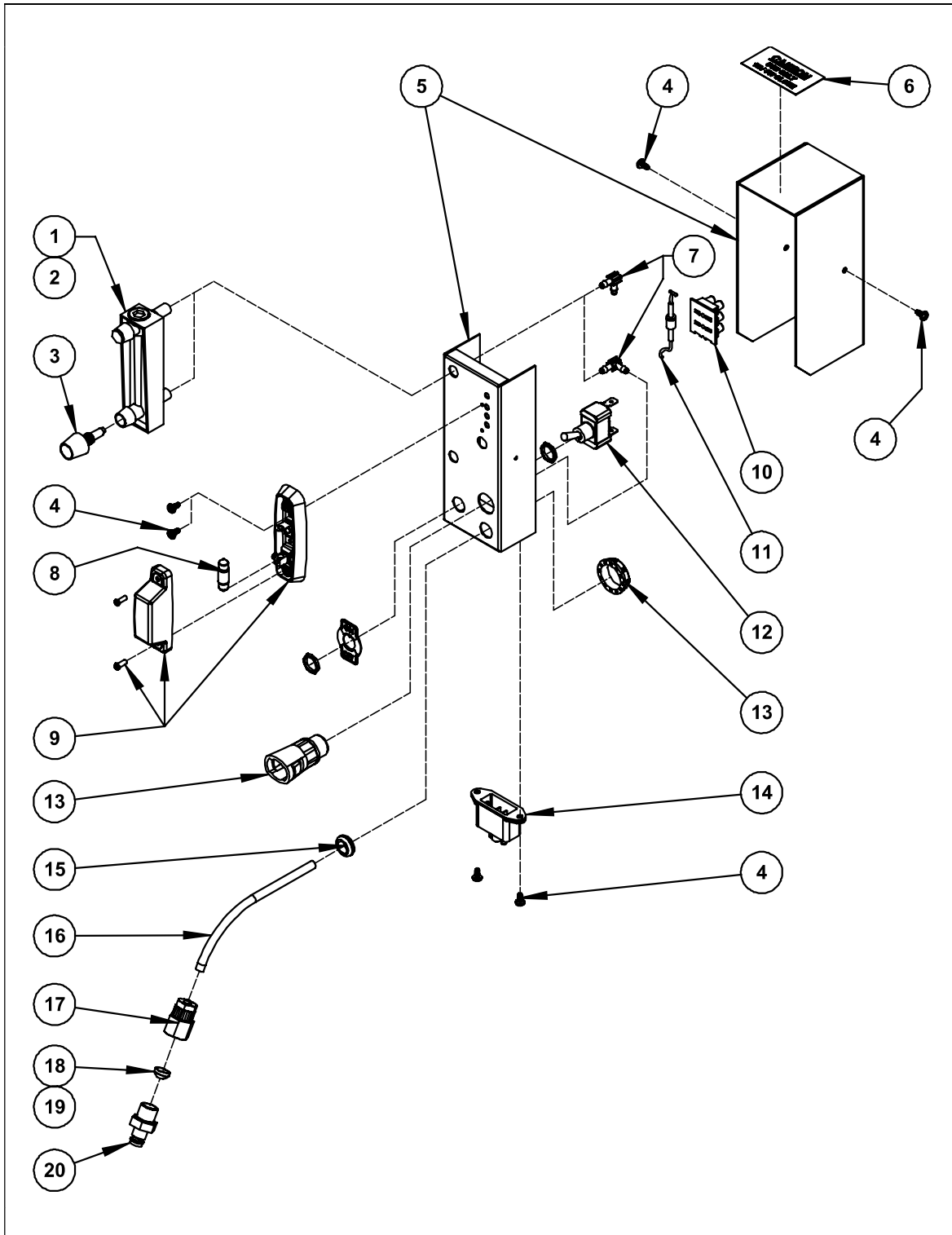


Figure 23 – Controller, Lamp Type, Single

Controller, Lamp Type, Single - Parts List

ITEM	PART NO.	DESCRIPTION	QTY.
1	DI002	FLOW METER, 30 LITRES PER HOUR	1
2	DI004	FLOAT (FLOW METER)	1
3	ZU039	TRIMMER FOR FLOW METER DI002	1
4	UF048	SCREW, 6-20 X 3/8" BZP 25PCRTC SELF TAP	6
5	RO003	ENCLOSURE, 1 WAY CONTROL BOX	1
6	CB006	LABEL, CAUTION 12V 5W	1
7	BI017	ELBOW, EB4	2
8	ST003	GLOBE, 12V 5W	1
9	ST004	LAMP ASSEMBLY	1
10	ZE008	CONNECTOR, 3 WAY	1
11	BBZP012A	DIODE ASSEMBLY	1
12	ST005	SWITCH, TOGGLE	1
13	GE038	FITTING, 16MM, STRAIGHT	1
14	ST030	PLUG, 3 PIN, S/M, COMPLETE	1
15	MO006	GROMMET, 15.9 MM	1
16	BI040/0.260	6 MM FLEXIBLE MICRO HOSE X 260 MM	1
17	BI027	ADAPTER 1/4" X 6 MM	1
18	ZU024	RESTRICTOR NO 10	1
19	ZU030	RESTRICTOR NO 8	1
20	AL002	PLUG, 1/4" BSPT M (EXTERNAL THREAD)	1
21	BBZP012	WIRING LOOM, SINGLE CONTROL BOX (NOT SHOWN)	1

2.2 Backplate Assembly, 2-Way

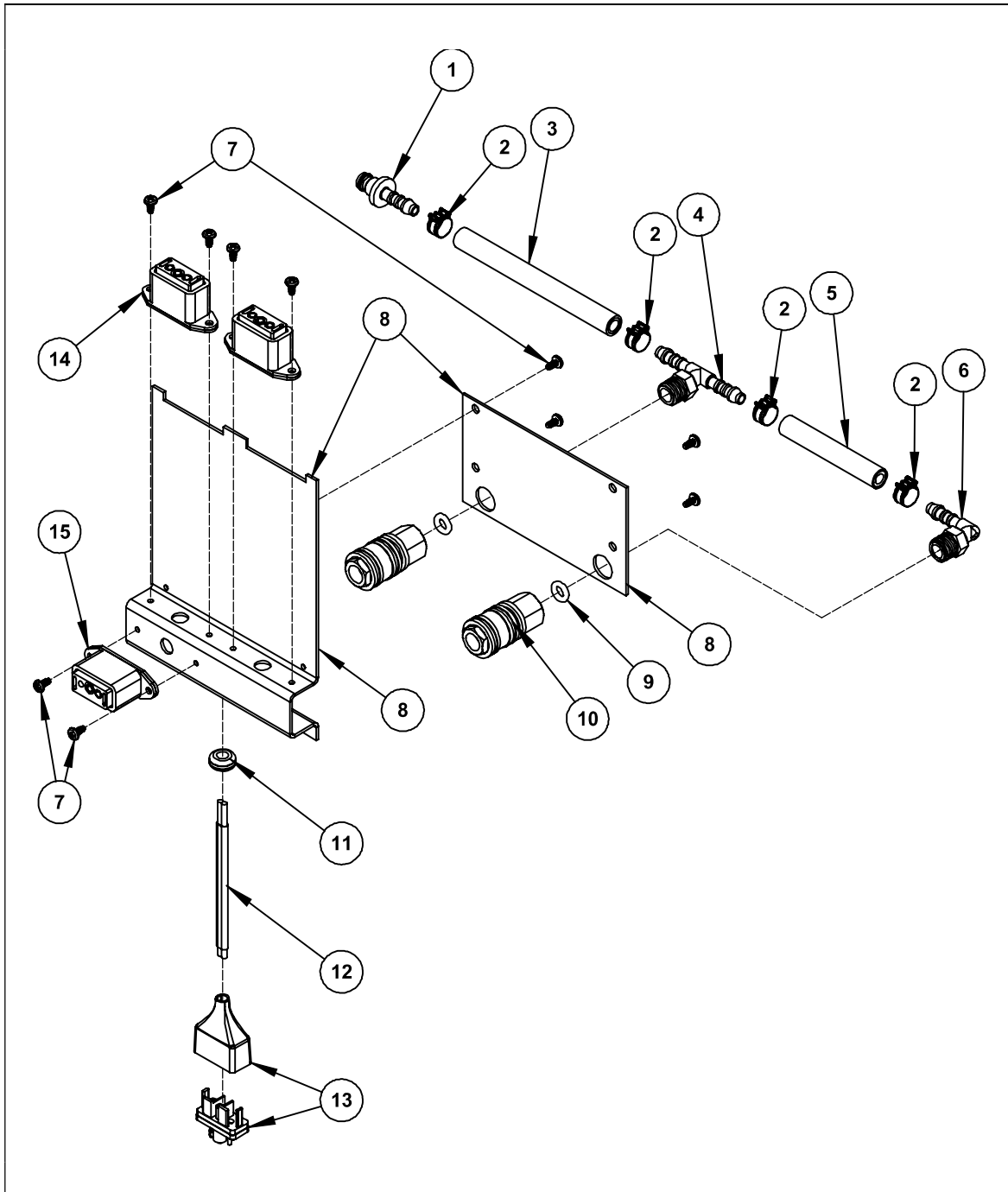


Figure 24 – Backplate Assembly, 2-way

Backplate Assembly, 2-way - Parts List

ITEM	PART NO.	DESCRIPTION	QTY.
1	AL012	HOSE CONNECTOR, PLUG	1
2	NH004	COBRA CLIP	4
3	MT001/115	HOSE 6 MM X 115 MM	1
4	AL008	BRANCH TEE, 6 MM, MALE	1
5	MT001/75	HOSE, 6 MM X 75 MM	1
6	AL009	ELBOW, 6 MM, MALE	1
7	UF048	SCREW, 6-20 X 3/8" BZP 25PCRTC SELF TAP	10
8	RO001	2 WAY BACKPLATE CHASSIS	1
9	GB007	O-RING, 6 X 3 VITON	2
10	AL001	SOCKET, 1/4"	2
11	ST007	GROMMET 14.3 MM	1
12	BBZP022	BACKPLATE FEED WIRE	1
13	ST008	PLUG, 2 PIN (MALE), IN-LINE	1
14	ST031	SOCKET, 3 PIN, S/M, COMPLETE	2
15	ST013	SOCKET, 2 PIN, S/M, COMPLETE	1

2.3 Backplate Assembly, 4-Way

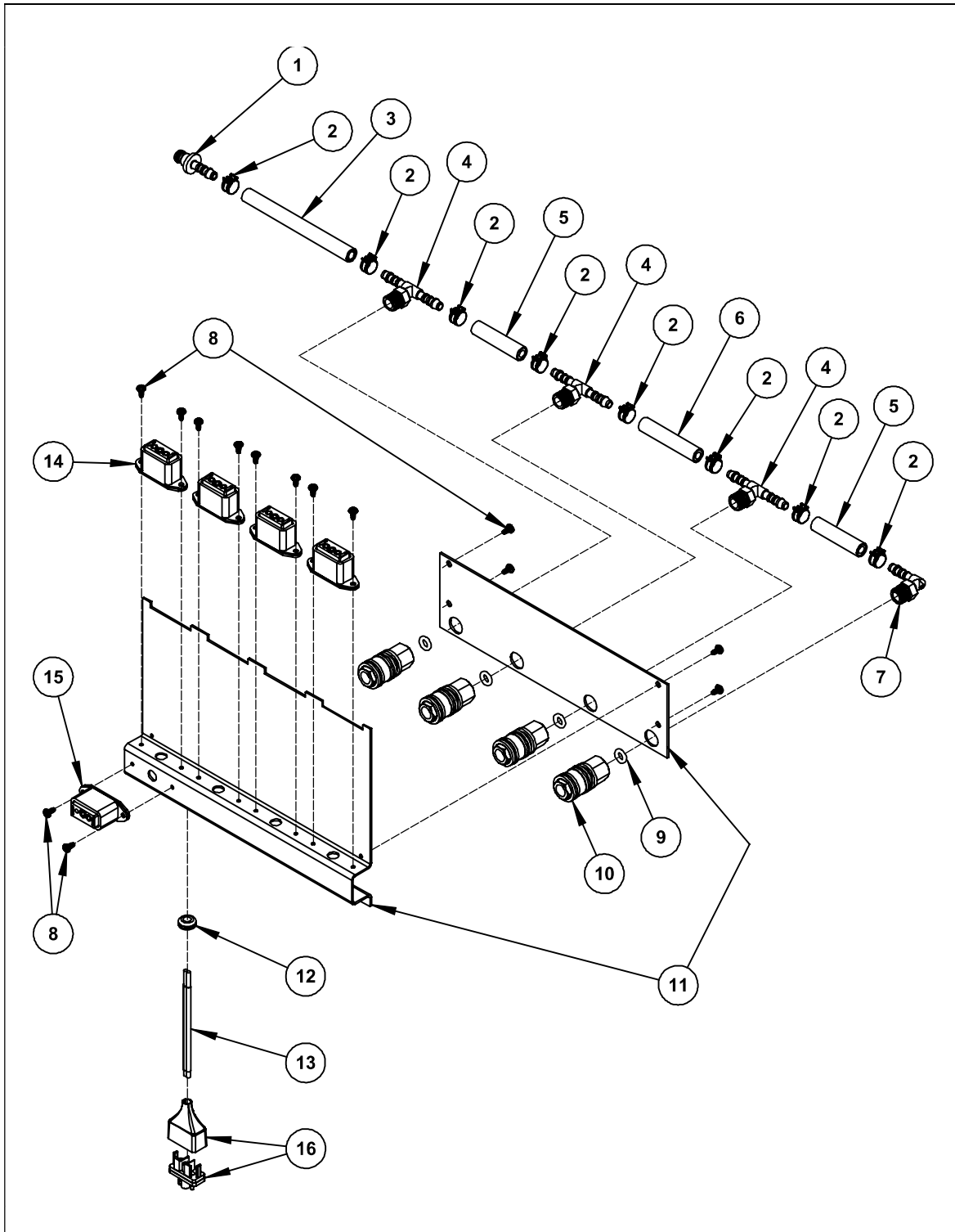


Figure 25 – Backplate Assembly, 4-way

Backplate Assembly, 4-way - Parts List

ITEM	PART NO.	DESCRIPTION	QTY.
1	AL012	HOSE CONNECTOR, PLUG	1
2	NH004	COBRA CLIP 11 MM	8
3	MT001/115	HOSE 6 MM X 115 MM	1
4	AL008	BRANCH TEE, 6 MM, MALE	3
5	MT001/50	HOSE 6 MM X 50 MM	2
6	MT001/60	HOSE 6 MM X 60 MM	1
7	AL009	ELBOW, 6 MM X 1/4", MALE	1
8	UF048	SCREW, 6-20 X 3/8" BZP 25PCRTC SELF TAP	14
9	GB007	O-RING, 6 X 3 VITON	4
10	AL001	SOCKET, 1/4"	4
11	RO002	4 WAY BACKPLATE CHASSIS	1
12	ST007	GROMMET 14.3 MM	1
13	BBZP022	BACKPLATE FEED WIRE	1
14	ST031	SOCKET, 3 PIN, S/M, COMPLETE	4
15	ST013	SOCKET, 2 PIN, S/M, COMPLETE	1
16	ST008	PLUG, 2 PIN (MALE), IN LINE	1

2.4 Backplate Assembly, 6-Way

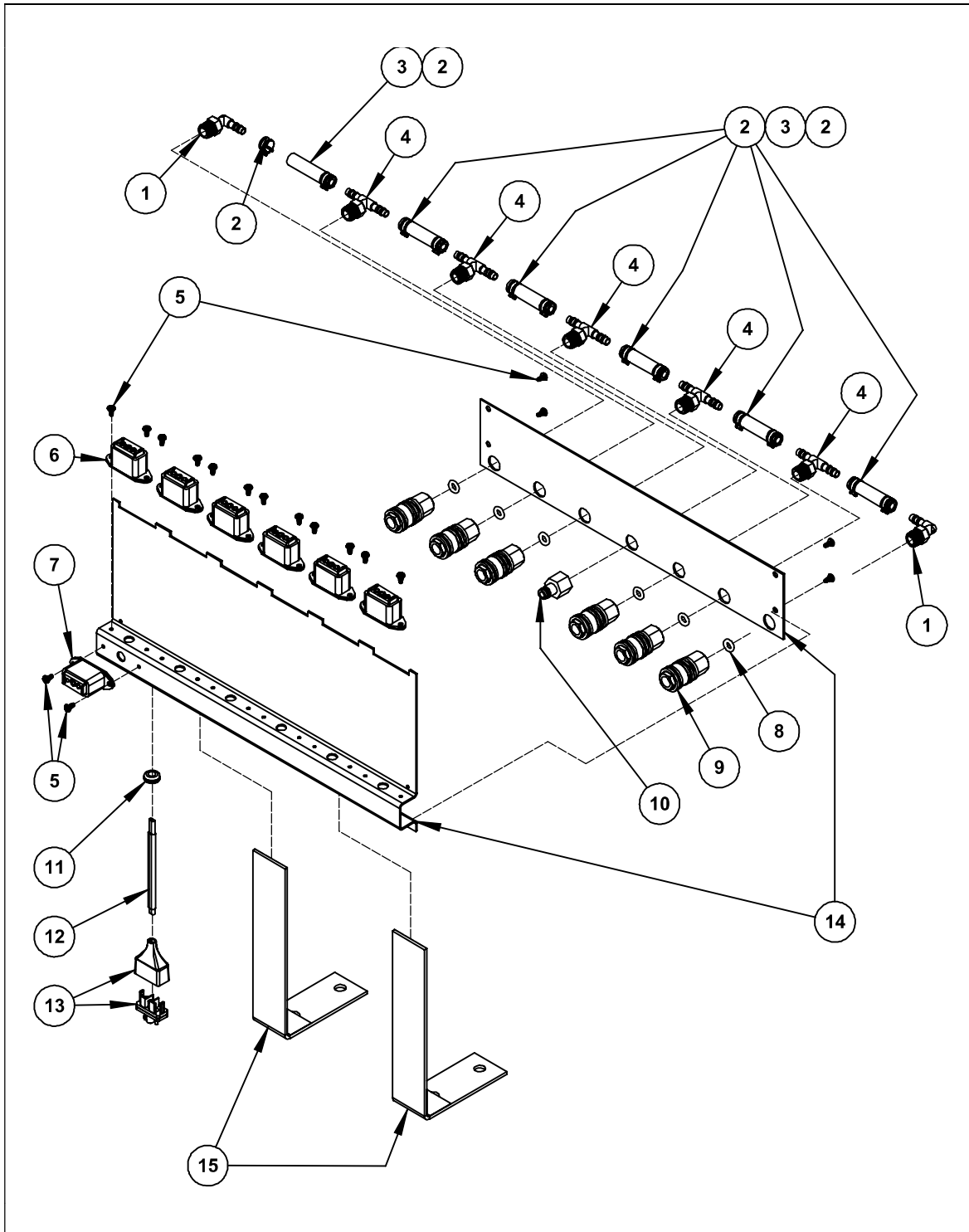


Figure 26 – Backplate Assembly, 6-way

Backplate Assembly, 6-way - Parts List

ITEM	PART NO.	DESCRIPTION	QTY.
1	AL009	ELBOW, 6MM X 1/4" MALE	2
2	NH004	COBRA CLIP 11 MM	12
3	MT001/50	HOSE 6 MM X 50 MM	6
4	AI008	BRANCH TEE 6 MM (MODIFIED FROM AL008)	5
5	UF048	SCREW, 6-20 X 3/8" BZP 25PCRTC SELF TAP	18
6	ST031	SOCKET, 3 PIN, S/M, COMPLETE	6
7	ST013	SOCKET, 2 PIN, S/M, COMPLETE	1
8	GB007	O-RING, 6 X 3 VITON	6
9	AL001	SOCKET, 1/4"	6
10	AL003	PLUG, 1/4" INTERNAL THREAD	1
11	ST007	GROMMET 14.3 MM	1
12	BBZP022	BACKPLATE FEED WIRE	1
13	ST008	PLUG, 2 PIN (MALE), IN LINE	1
14	RO022	6 WAY BACKPLATE CHASSIS	1
15	BBZP009A	BACKPLATE MOUNTING BRACKET - 6 WAY	2

2.5 Power Wire Assembly

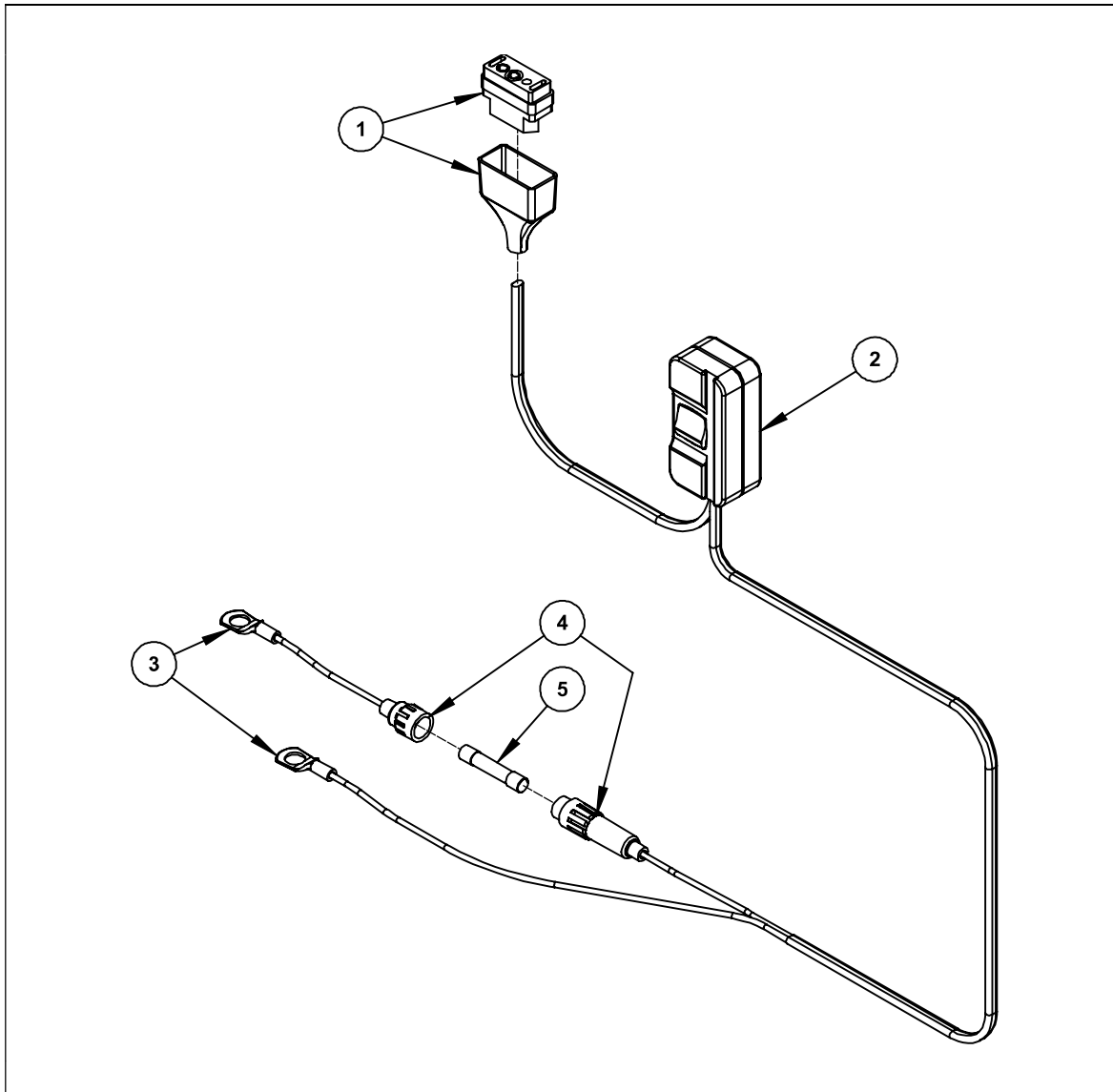


Figure 27 – Power Wire Assembly

ITEM	PART NO.	DESCRIPTION	QTY.
1	ST009	SOCKET, 2 PIN, IN-LINE	1
2	GE035	SWITCH, IN-LINE	1
3	GE021	TERMINAL LUG 8 MM	2
4	GE036	FUSE HOLDER	1
5	ST002	FUSE, 10A	1

Copyright © Micron Sprayers Ltd. 2016

General Enquiries:

Micron Group
Bromyard Industrial Estate,
Bromyard, Herefordshire,
HR7 4HS, U.K.

T +44 (0)1885 482397

F +44 (0)1885 483043

E enquiries@micron.co.uk

Australian Enquiries:

Micron Group
P.O. Box 1246, Berri 5343,
South Australia

T +61 (0)8 8582 4077

E enquiries@enviromist.com.au

www.microngroup.com

