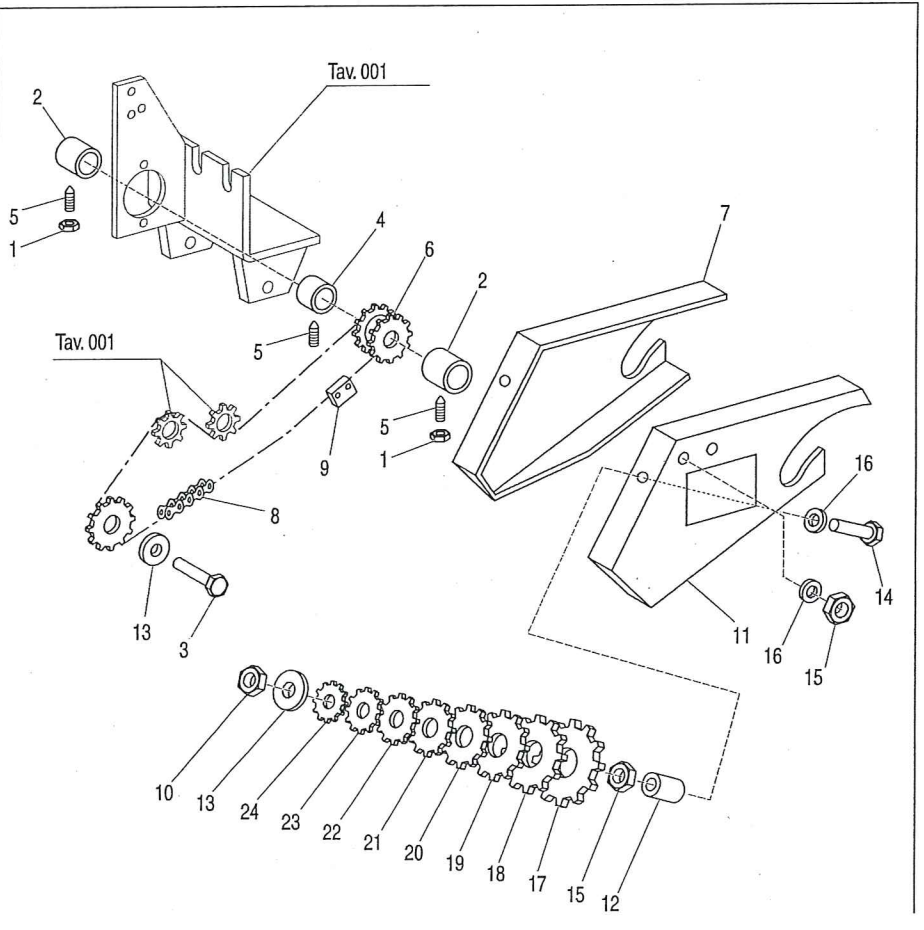
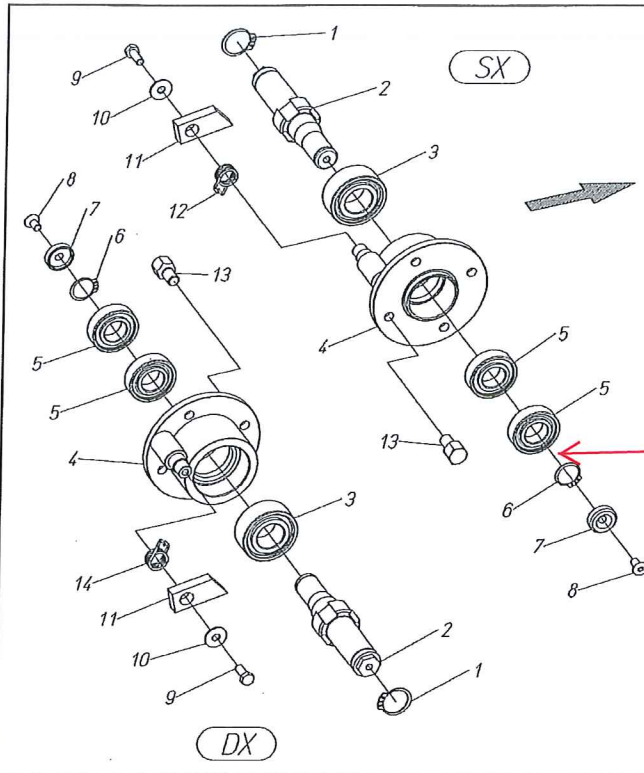


| pos. codice | descrizione |
|-------------|--------------------------------|
| 1 | 400846 ALBERO |
| 2 | 902104 VITE TE M8x20 |
| 3 | 907305 RONDELLA PIANA LARGA Ø8 |
| 4 | 400848 ARRESTO |
| 5 | 910200 CUSCINETTO 3206 B |
| 6 | 800002 MOLLA |
| 7 | 420538 MOZZO |
| 8 | 910111 CUSCINETTO 2RS 6205 |
| 9 | 940505 ANELLO SEEGER ØE 25 |
| 10 | 800001 MOLLA |
| 11 | 902172 VITE TE M12x20 |
| 12 | 907107 RONDELLA PIANA Ø12 |
| 13 | 940504 SEEGER ØE 30 |

| pos. codice | descrizione |
|-------------|--------------------------------|
| 1 | 905205 DADO M8 BASSO |
| 2 | 400227 ANELLO DI BLOCCAGGIO |
| 3 | 902479 VITE TE M8x16 |
| 4 | 400717 ANELLO DI BLOCCAGGIO |
| 5 | 904001 GRANO M8x10 |
| 6 | 420442 PIGNONE DOPPIO |
| 7 | 400713 CARTER CATENA SX |
| 8 | 930015 CATENA |
| 9 | 930501 MAGLIA DI GIUNZIONE |
| 10 | 905105 DADO M 8 MEDIO |
| 11 | 400712 CARTER CATENA DX |
| 12 | 400228 DISTANZIALE |
| 13 | 907316 RONDELLA PIANA LARGA Ø8 |
| 14 | 902115 VITE TE M8x70 |
| 15 | 905005 DADO M8 ALTO |
| 16 | 907105 RONDELLA PIANA Ø8 |
| 17 | 400329 PIGNONE Z 24 |
| 18 | 400242 PIGNONE Z 22 |
| 19 | 400243 PIGNONE Z 20 |
| 20 | 400240 PIGNONE Z 17 |
| 21 | 400245 PIGNONE Z 16 |
| 22 | 400327 PIGNONE Z 15 |
| 23 | 400246 PIGNONE Z 14 |
| 24 | 400229 PIGNONE Z 12 |



9/2/2010



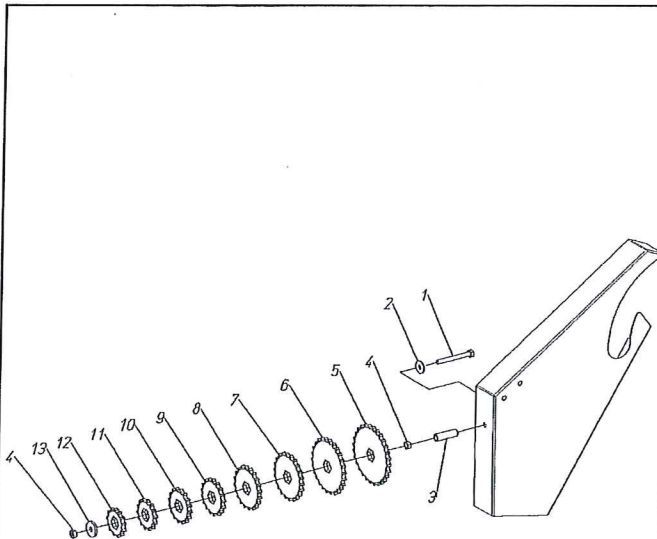
| pos. part # | description | Cherchi & Mogli |
|-------------|-------------|---------------------|
| 1 | 940504 | SNAPRING, 30MM |
| 2 | 400846 | SHAFT, WRATCHET |
| 3 | 910200 | BEARING, 3208B-2RS |
| 4 | 420538 | HUB |
| 5 | 910111 | BEARING, 6205-2RS |
| 6 | 940505 | SNAPRING, 25MM |
| 7 | 401990 | WASHER, SAFETY |
| 8 | 904107 | BOLT, 8X16MM |
| 9 | 902104 | BOLT, 8X20 |
| 10 | 907305 | WASHER, FLAT 8X24X2 |
| 11 | 400848 | PAWL |
| 12 | 800002 | SPRING, PAWL LH |
| 13 | 402196 | BOLT, LUG 12X15MM |
| 14 | 800001 | SPRING, PAWL, RH |

On HD hubs, there can be a shim between the outer bearing and the snapping. The part # of the shim is 402190

500607-HUB, REINF. RH
500608-HUB, REINF. LH

60104053 / 60104054

4/8/2010



| pos. part # | description | Cherchi & Mogli |
|-------------|-------------|---------------------|
| 1 | 900115 | BOLT, 8X70 |
| 2 | 907305 | WASHER, FLAT 8X24X2 |
| 3 | 400228 | SPACER, 8.5X14X44 |
| 4 | 905105 | NUT, 8MM |
| 5 | 400665 | SPROCKET, HEX 28T |
| 6 | 400241 | SPROCKET, HEX 26T |
| 7 | 400242 | SPROCKET, HEX 22T |
| 8 | 400243 | SPROCKET, HEX 20T |
| 9 | 400330 | SPROCKET, HEX 17T |
| 10 | 400245 | SPROCKET, HEX 16T |
| 11 | 400246 | SPROCKET, HEX 14T |
| 12 | 400664 | SPROCKET, HEX 13T |
| 13 | 907316 | WASHER, FLAT 8X30X4 |

70204009