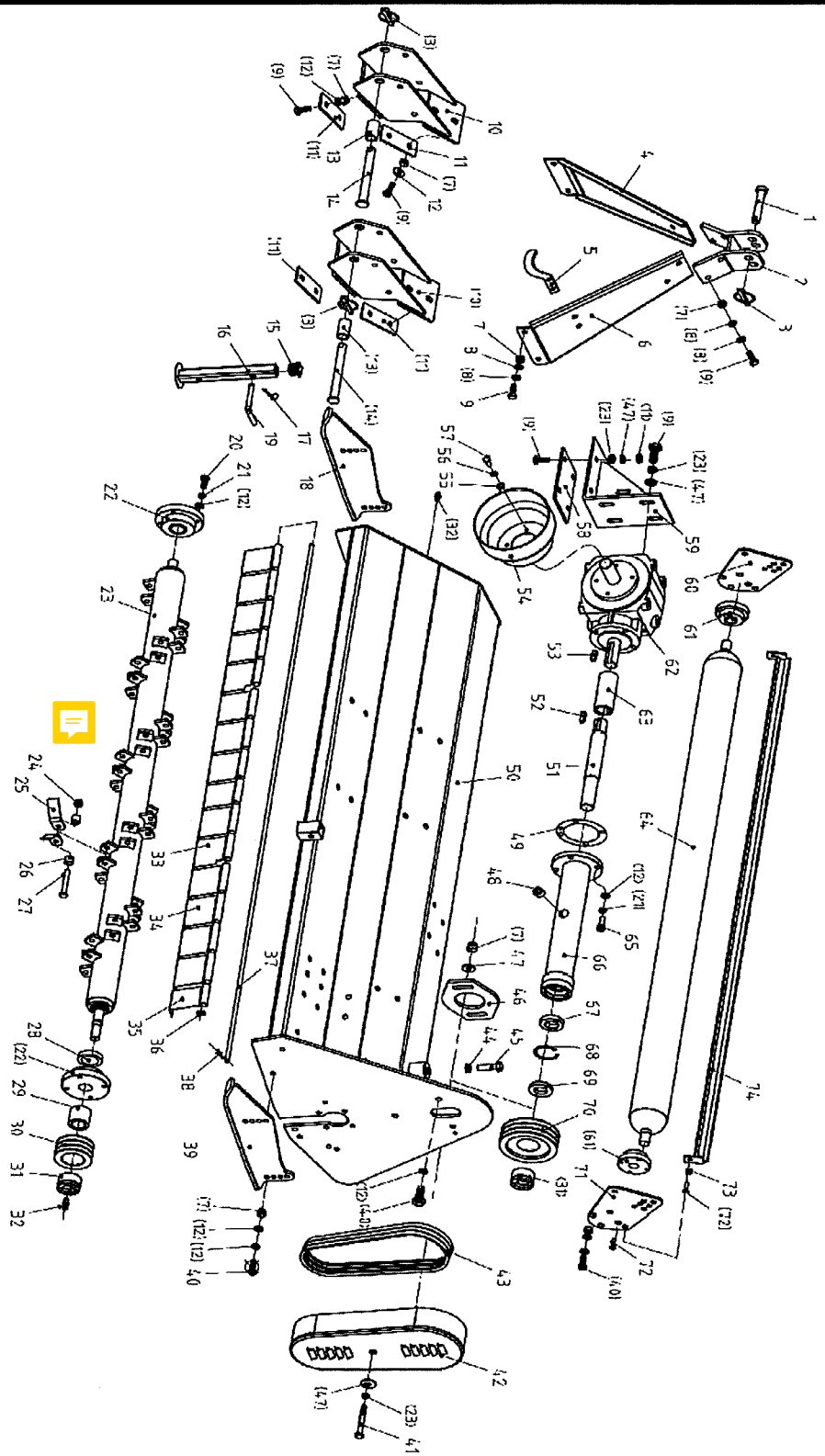


# PARTS LIST




EFGC Assembly

## PARTS LIST

No.	Part No.	Name & Specification	Qty
1	EF175-124	Upper hang pin	1
2	EF175-014	Arm weldment	1
3	SP11	Lock pin assembly	3
4	EF175-021	left connect arm weldment	1
5	EF175-121	PTO board	1
6	EF175-022	right connect arm weldment	1
7	NN12	Fixting nut	24
8	PW12	washer	36
9	HB12A40	bolt M12*40	20
10	EF175-017	hang connecting board weldment	2
11	EF175-109	scaleboard	4
12	PW12	washer	8
13	EF175-120	pipe shroud	2
14	EF175-125	down hang pin	2
15	EF175-126	pipe plug	1
16	EF175-019	armbrace weldment	1
17	RP4	R pin	1
18	EF175-018	left dump rail weldment	1
19	EF175-122	armbrace pin	1
20	HB12A30	bolt M12*30	14
21	SW12	spring washer12	17
22	UC207-Z	Bearing set UC207	2
23	EF175-013	blade shaft weldment	1
24	NN16	fixting nut M16	28
25	EF175-127	Y blade	56
26	EF175-102	separation sleeve	56
27	HB16A80	Bolt M12*80	28
28	OS55A80A8	oil seal FB55*80*8	1
29	EF175-103	Bush	1
30	EF175-130	small belt wheel	1
31	PL35A60	expension bush	2
32	GF8A1	Oil nipple	2
33	EF175-132	Plate	3
34	EF175-133	Plate	20
35	EF175-109	Plate	1
36	PW10	washer	32
37	EF175-106	plate shaft	1

## PARTS LIST

No.	Part No.	Name & Specification	Qty
38	SP4A35	split pin	2
39	EF175-018	right dump rail weldment	1
40	GB5783-86	Bolt M12*35	8
41	GB5786-86	Bolt M12*10	1
42	EF175-022	belt wheel cover	1
43	VBB1016	belt 	3
44	HN16A1.5	Nut M16*1.5	1
45	HB16A1.5A45	Bolt M16×1.5×45	1
46	EF175-101	connecting board	1
47	BPW12	big washer12	2
48	HSSTR3/8	hexagonal socket head plug	2
49	EF175-134	flange paper cushion	1
50	EF175-011	Fram weldment	1
51	EF175-104	Connecting shaft	1
52	KA10A40	Key A10X40	1
53	KA10A70	Key A10*70	1
54	EF175-131	PTO cover	1
55	BPW10	big washer10	2
56	SW10	spring washer10	2
57	HB10A12	bolt M10*12	2
58	EF175-123	Gearbox fixing board	1
59	EF175-020	Gearbox fixing board weldment	1
60	EF175-108	roller right connecting board	1
61	UC205-Z	UC205 bearing seat	2
62	XH50.003Z.02W	Gear box assembly	1
63	EF175-105	spindle collar	1
64	EF175-012	roller weldment	1
65	HSHS12A35	hexagonal socket head boltM12*35	4
66	EF175-015	shaft pipe liner weldment	1
67	B6007	deep groove ball bearing6007	1
68	CFH62	Hole spring	1
69	EFH175.130	oil seal 35*62*10	1
70	EF175-129	big belt wheel	1
71	EF175-107	roller left connecting board	1
72	HHSS8A20	sunk screw M8X20	10
73	NN8	fixting bolt M8	2
74	EF175-016	scraping board weldment	1