

INSTRUCTION MANUAL



DRIP TAPE LAYER



M.O.M. Moretto Officine Meccaniche S.A.S.
di Moretto Vanni, Luca & C.
Via Villafontana, 137 – 37050 Villafontana di Oppeano (VR)
Tel +39 045.7146086
www.momofficine.it – info@momofficine.it
Rev. 05-12/2021

DECLARATION OF CONFORMITY



The Manufacturer:



M.O.M. Moretto Officine Meccaniche S.A.S.

di Moretto Vanni, Luca & C.

Via Villafontana, 137 – 37050 Villafontana di Oppeano (VR)

Tel +39 045.7146086

Declares that the new machine:

TYPE:	DRIP TAPE LAYER
MODEL:	
SERIAL NO.	
YEAR OF MANUFACTURE:	

complies with the legislative provisions of the following directives:

2006/42/CE (Machinery Directive)

and subsequent changes and integrations.

Person authorized to draw up the Technical File	Moretto Vanni Via Villafontana, 137 37050 Villafontana di Oppeano (VR)
---	--

Full Name	
Place and date	
Signature	

INDEX

INTRODUCTION.....	2
NOISE LEVELS.....	4
DISMANTLING AND DISPOSING OFF THE MACHINE	5
WARRANTY.....	5
ALLOWED USE	5
SAFETY STICKERS	6
TECHNICAL DATA	7
LIFTING THE MACHINE	8
SAFETY REGULATIONS.....	8
DESCRIPTION.....	9
MAIN COMPONENTS.....	10
HITCHING TO THE TRACTOR.....	11
ROAD TRANSPORT OPERATIONS.....	12
ADJUSTMENTS.....	12
SAFETY INSTRUCTIONS DURING OPERATION	13
MAINTENANCE	13
END OF WORKS	13

INTRODUCTION

This documentation represents an integral part of the machine and it must accompany it in case of ownership transfer or company relocation.

In case of disputes as to the contents of the manual, the reference version is the one in Italian.

Before installing and using the machine, read carefully and make sure to have understood the contents of this manual, as it provides important information on safety during installation, and the standards for use and maintenance operations.

The operator assigned to use the machine must have knowledge of the rules in force in the field of accident prevention.

MACHINE IDENTIFICATION DATA

The pages below provide to the user indications on how to identify the machine manufactured by **M.O.M. s.a.s.**

These pieces of information are drawn up by the manufacturer to the purpose of providing the users easy access to essential technical information or to give support in spare parts ordering process.

Therefore, it is **recommended** not to damage or remove any of the means necessary for the identification of the machine.

HOW TO IDENTIFY THE MACHINE

The machine identification data are available on the aluminium plate; use them whenever you contact **M.O.M. s.a.s.** for support.

This plate is the only one recognised by the manufacturer as machine identification mean. A facsimile of the plate is provided below.



VIA VILLAFONTANA 137 - 37050 VILLAFONTANA DI OPPEANO (VR) Tel. +39 045 7146086

DENOMINAZIONE	1
MODELLO	2
MATRICOLA	3
ANNO DI COSTRUZIONE	4

FIG. 1

- 1- Machine name
- 2- Machine model
- 3- Serial number
- 4- Year of manufacture

PURPOSE OF THE MANUAL

This manual contains the indications for use and maintenance needed to acquire a good knowledge of the machine.

The machine operation, life duration and consumption over time depend on whether these indications are complied with or not.

Failure to observe the manufacturer's indications, negligence, poor or inappropriate use of the machine can void the warranty that covers machine; moreover, it may prevent the user from enjoying the benefits this machine has been designed for.

M.O.M. S.a.s. offers timely and accurate technical assistance along with any other type of support useful to improve operation and to obtain the maximum performance from the machine.

The Manufacturer reserves the right to change, at its sole discretion, this publication, and the data it contains should it deem it necessary in view of technical or commercial improvement of the product.



This symbol will be used throughout the manual whenever your safety or the safety of others could be in danger, or in case the normal operation of your machine can be compromised. **Pay particular attention to the paragraphs preceded by this symbol.**

CONTACTS IN THE CASE OF FAILURE

In case of need or for further details, our customers can contact the technical sales support of their local dealers or importers, who stay always in direct contact with the manufacturer, **M.O.M. s.a.s.**

Generally, most of the technical problems can be fixed through minor procedures. As a consequence, it is recommended to carefully read this manual before calling the Assistance service.

In case of more serious defects or malfunctions, the user can contact the manufacturer directly.



M.O.M. Moretto Officine Meccaniche S.A.S.
di Moretto Vanni, Luca & C.
Via Villafontana, 137 – 37050 Villafontana di Oppeano (VR)
Tel +39 045.7146086
www.momofficine.it – info@momofficine.it

NOISE LEVELS



The airborne noise generated by the machine during operation is less than 70 dBA.
In any case, observe the regulation in force regarding airborne noise, in the country of use.

DISMANTLING AND DISPOSING OFF THE MACHINE

Make sure to dispose of the polluting wastes:

- the lubricating and hydraulic oils, worn fuel, etc.;
- the maintenance and cleaning materials.

according to the legislation in force in the country of use (normally in authorised wastes collection centres or by using the services of a company authorised for the purpose) and strictly avoid dispersing these wastes in the environment.

Should the machine be disassembled to be definitively dismantled, it is mandatory to follow the legislation on environment protection.

All ferrous, plastics materials or, however, polluting, or toxic gases shall be collected in authorised wastes collection centres.

WARRANTY

The equipment manufactured by our company is supplied with a warranty that covers manufacturing and/or assembly flaws and has twelve months validity starting the date of the delivery to the user.

It is limited to the replacement of parts acknowledged as being faulty and, thus, it does not include the related labour and transport costs reimbursement.

The warranty becomes void:

- In case the purchaser has made unauthorised changes to the original structure of the machine.
- In case the spares used are not original.
- In case our equipment is used other than according to the instructions contained in this manual.
- In case the machine is used improperly by the operators.

ALLOWED USE

The drip tape layer machine must be used exclusively hitched to a tractor (having suitable capacity) equipped with hydraulic couplers and 3-point universal hitch.

The machine must only be used lay and bury drip tapes for their subsequent use. Any other use is considered improper and therefore dangerous.

SAFETY STICKERS

The safety stickers must always be perfectly visible; they must be kept clean and be replaced whenever they become little legible (they can be required to the manufacturer).

1. Before starting to use the machine, read carefully the user's manual.
2. Prior to any maintenance, stop the tractor, remove the key from the ignition contact, place the machine on the ground and consult the use and maintenance manual.
3. Risk of being hit while opening of the mobile part of the drip tape layer. Keep at a safe distance from the machine.
4. Risk of shearing the upper limbs while opening and closing of the mobile parts of the drip tape layer. Keep at a safe distance from the machine.

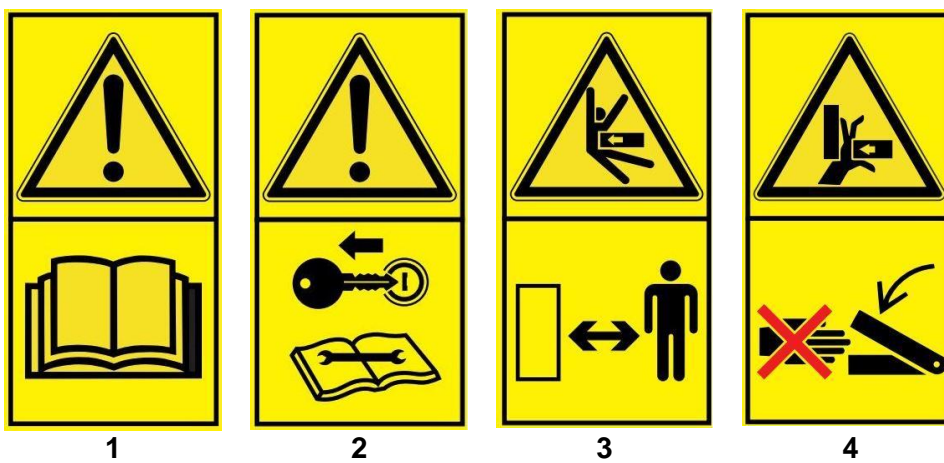


FIG. 2

TECHNICAL DATA

Model		Tractor capacity Hp	Number of drip tapes	Weight kg	Size mm			
					L	P	P1	H
Fixed	2 rows	60÷80	4	250	2000	1300	--	1700
	3 rows	60÷80	6	380	3000	1300	1800	1700
Openable	4 rows	60÷80	8	480	4500	1300	1800	1700
	5 rows	60÷80	10	560	6000	1300	1800	1700

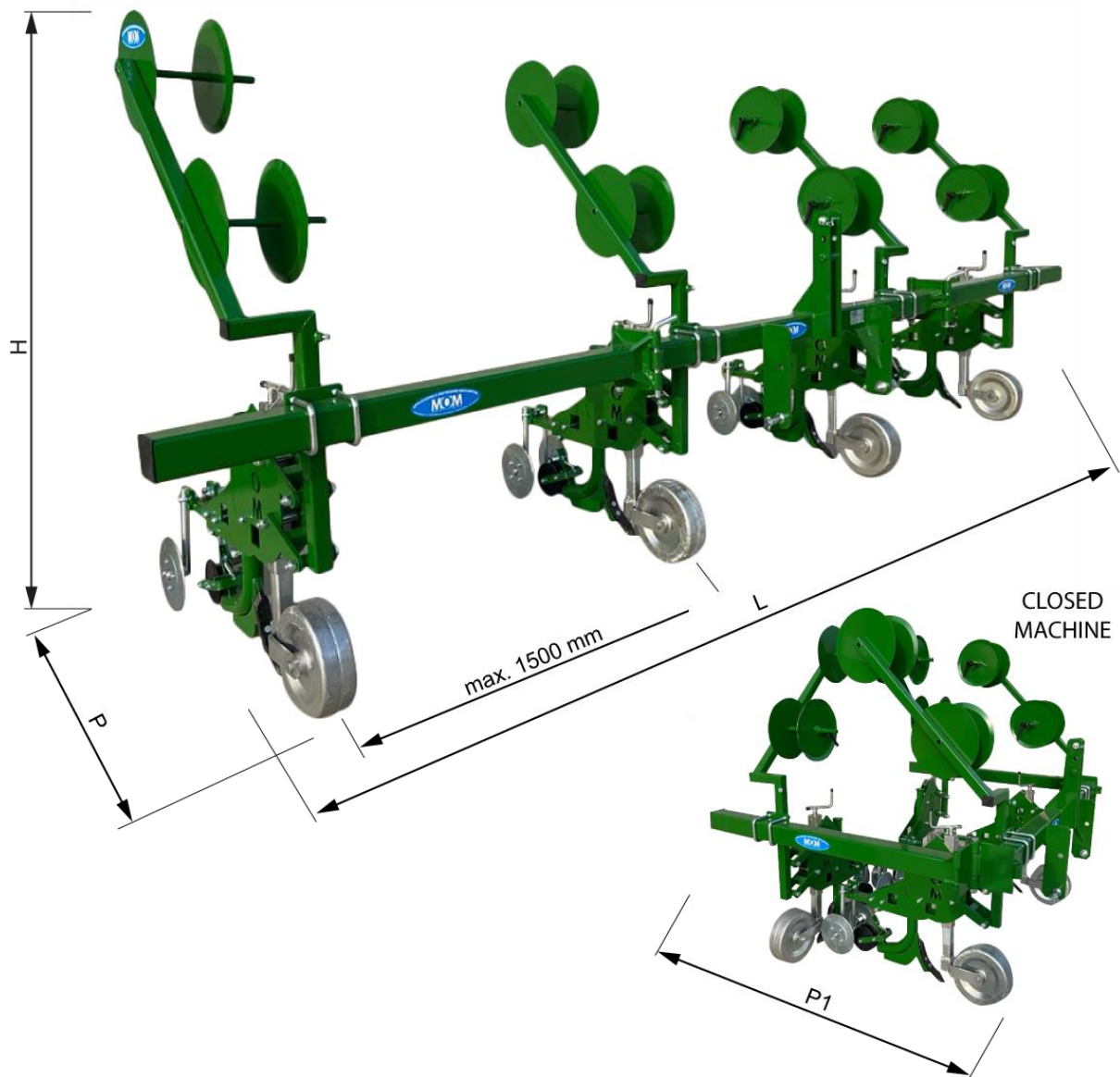


FIG. 3

LIFTING THE MACHINE

If the machine is to be lifted using a hoist or crane, first make sure the lifting means has suitable lifting capacity (check on the technical data table) and it is in good condition.



Avoid dangerous jolting movements and the presence of people not involved in the unloading operations in the manoeuvre area.

Use suitable capacity lifting straps in good condition.

During this operation, make sure that the machine is fully intact and inform the manufacturer immediately of any damage due to shipping.

SAFETY REGULATIONS

Read carefully all the instructions prior to using the machine; in case of doubt please contact the manufacturer.

M.O.M. s.a.s. declines any liability for failure to comply with the safety and accident prevention standards described below.

1. Pay attention to the warning's signs given in this manual and on the machine.
2. Never touch or get close to the moving parts.
3. It is strictly forbidden to carry persons, animals or objects on the machine.
4. Follow strictly all the accident prevention rules recommended and described in this manual.
5. The instruction labels applied to the machine provide essential indications to prevent injuries.
6. Make sure to observe the maximum weight provided on the tractor axis, the overall weight that can be withstood by the machine, the regulation on the transport and the Road Regulations in force in the country of use.
7. Before starting to work, get familiar with the controls and their functions.
8. Use appropriate clothing. It is strictly forbidden the use of loose clothing that might get caught in the moving parts.
9. Be careful in the hitching phase.
10. Never leave the seat or allow person or animals to approach while the tractor is in motion.
11. In curves, pay attention to the centrifugal force exerted by the position of the equipment on the tractor.
12. It is strictly forbidden to stand in the operation range of the machine and its accessories.
13. The diameter of the machine connecting pins must match the diameter of the tractor seat.
14. Pay particular attention when working near the power lift arms, it is a very hazardous area.
15. During road transport, lock the lever of the tractor hydraulic hitch.

16. Check on regular basis the tightening of screws and nuts and tighten back if loosen.
17. Make sure to use recommended type of lubricants.
18. Spare parts must correspond to the requirements defined by the manufacturer. Use exclusively original spare parts.
19. The safety stickers must always be perfectly visible; they must be kept clean and be replaced whenever they become little legible (they can be required to your dealer).
20. The user's manual must be kept throughout the lifespan of the machine.
21. For road transport follow the rules of the Road Regulations in force in the country of use.

DESCRIPTION

The drip tape layer has been designed for the laying of the drip tape irrigation systems by unwinding them in the guiding tube. It is held in position by the wheels and subsequently covered by the soil dug up by the two-side v-blades. The reels are positioned on the unwinding supports and lay inside rows traced by a ploughshare. The depth is determined by the frame level wheels adjustment of each element.

OPERATION DESCRIPTION

The structure consists of a electro-welded steel tubular (frame) on which are fastened two or four self-aligning elements through a parallelogram, a metal level wheel and drip tapes rotary holders.

Connect the equipment to the tractor, lift it from the ground by acting on the elevator, remove the parking foot and place it aside to have it ready for use when the equipment is disconnected. Insert the drip tape reels on the four revolving supports making sure the stop pins of the articulated joints are locked by a by a split pin.

The operator can now unwind the drip tape in the guiding tubes.

Adjust the depth of the furrow by acting on the level frame wheels and on the elements level wheels.

The drip tape is placed in the furrow created by the ploughshare and subsequently covered by the soil dug up by the two side blades.

After finishing laying the drip tapes, reposition the support foot and removed the reels, and release the three-point hitch from the tractor; to park the machine it is recommended to release it on a flat ground, possibly indoors.

MAIN COMPONENTS

1. Support frame
2. 3-point connection
3. Drip tape pressing roller
4. Pivot pin
5. Opening locking pin with safety split pin
6. Rotary drip tape holder
7. Ploughshare
8. Level wheel
9. Parallelogram
10. Drip tape guiding tube
11. Weeder disks
12. Weeder unit (Option)*

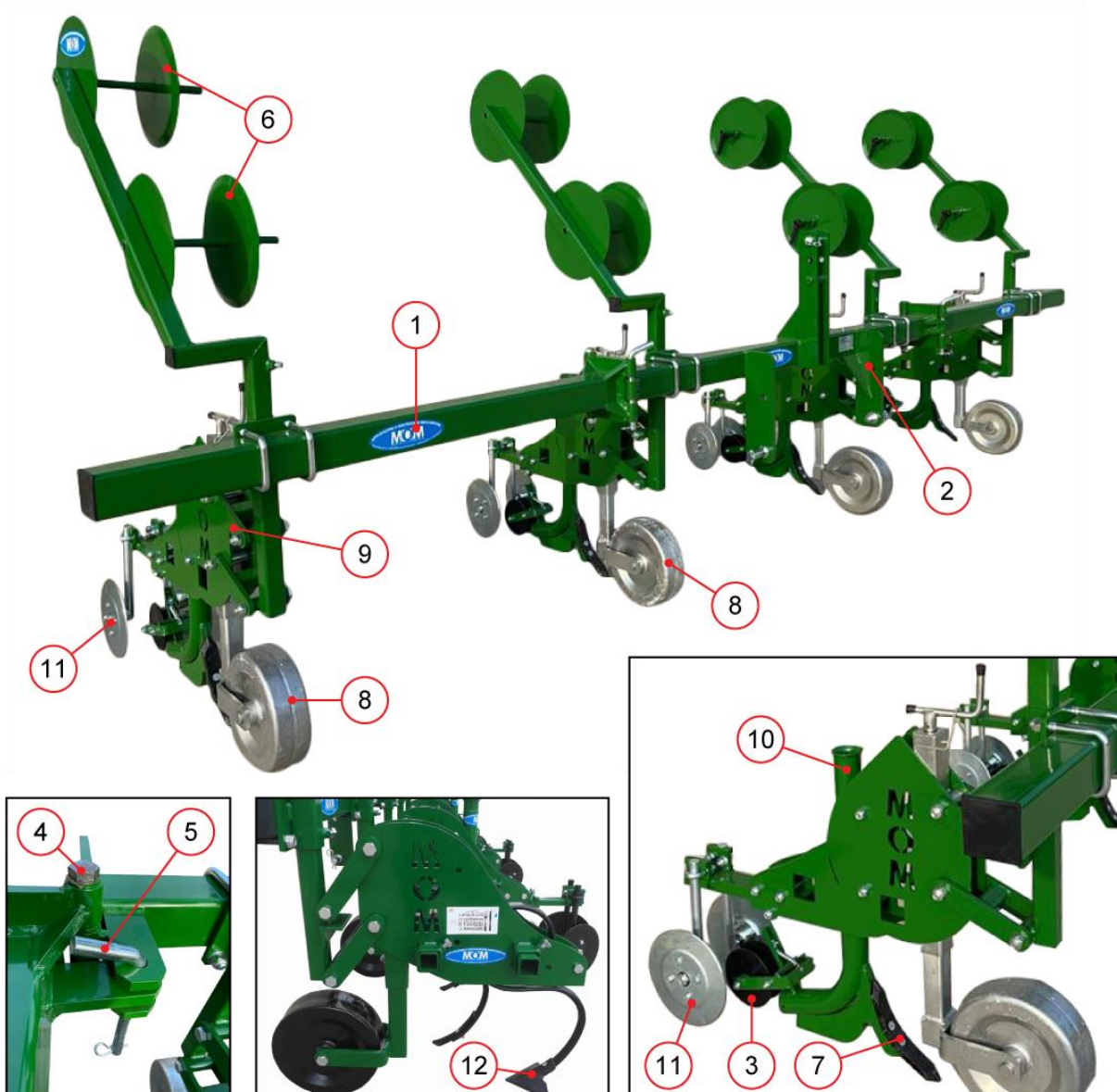


FIG. 4

* The weeder unit allows the laying of the drip tape and weeding of soil simultaneously.

HITCHING TO THE TRACTOR

1. Park the machine on a flat surface;
2. Insert the two parallel arms of the tractor in the connections A and insert the pins, then block them using the appropriate snap lock pins (2nd and 3rd category);
3. Connect the third point of the tractor to the upper pin B of the 3-point hitch, and adjust it to keep the machine parallel to the ground;
4. Connect the hydraulic hoses item C (Optional) to the tractor. (Check that the type of quick couplings fitted on the machine match the type of the ones on the tractor and make sure to always keep them clean) **Replace the tubes 5 years after the date stamped on them.**
5. The pins must be of the diameter required by the tractor. Do not use pins of different category and shorter diameter.

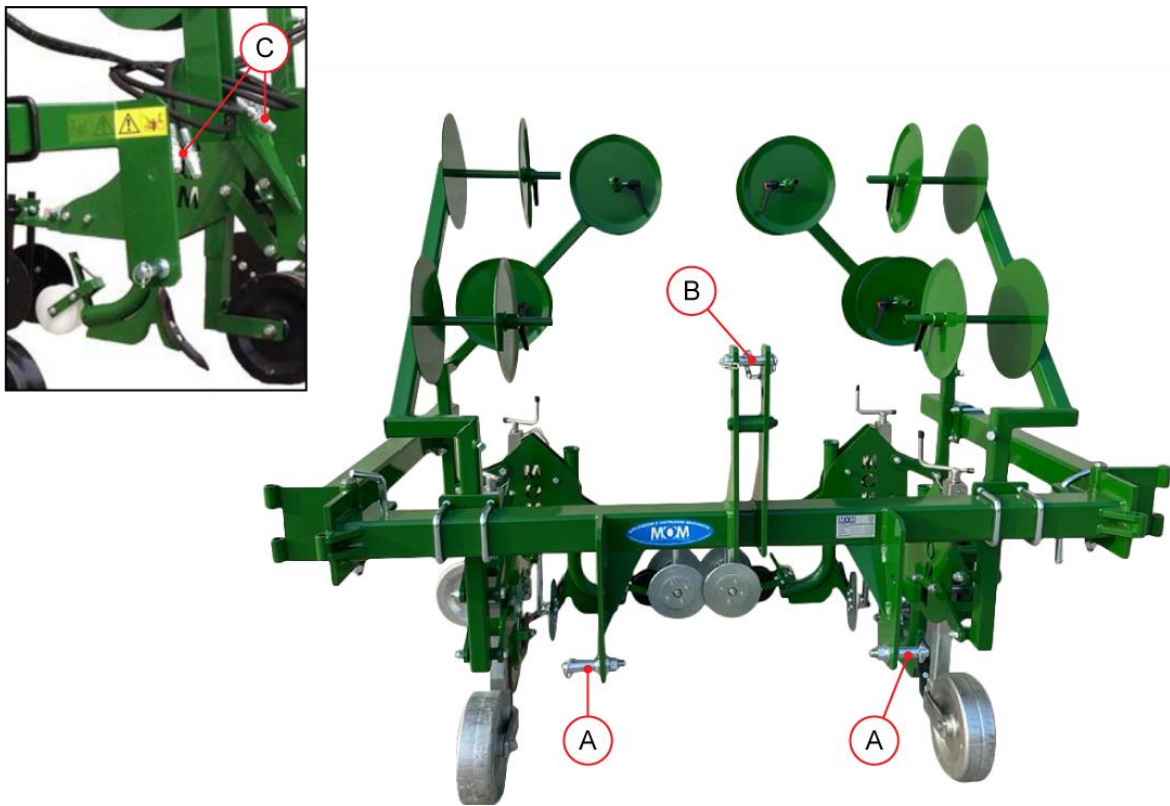


FIG. 5

WARNING  WARNING

The machine must be disconnected from the tractor only after it has got completely opened.

ROAD TRANSPORT OPERATIONS

During the transport by road toward the area to be worked, it is necessary to bring the machine into a vertical position. With manual opening or the hydraulic controls of the tractor it is possible to tilt the machine by 90 degrees for road transport.

Block the moving parts using the appropriate pins FIG. 6, pos.1 work and pos.2 transport. To restore the machine position, perform the same operation in reversed order.

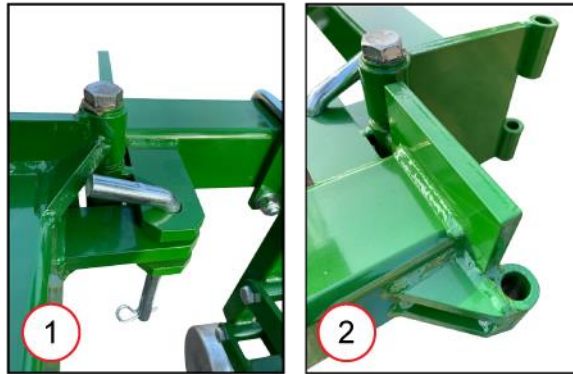


FIG. 6

WARNING  **WARNING**

When the vehicle is driven on the road with the machine closed, consider the greater overall height in case of transit in the limited height zones.

ADJUSTMENTS

All tools that work the soil can be adjusted by pre-charging the related springs.

Adjust according to the works to be performed and soil type through the handle pos.1 FIG. 7. The manufacturer positions the working tools proportionally to the machine model size.

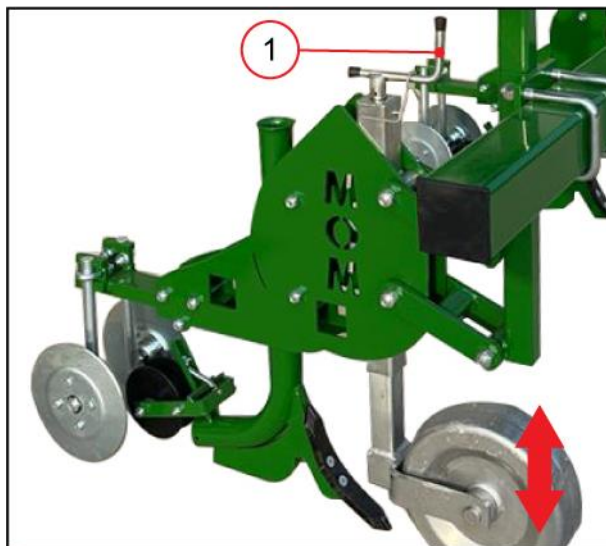


FIG. 7

SAFETY INSTRUCTIONS DURING OPERATION

- To remove dust and residues deposited on the machine, wear face protection mask provided with breathing filter, especially when cleaning the hydraulic circuit.
- Be reminded that the loads lifted and handled manually cannot exceed 30 kg per one operator.
- Prior to intervene on the hydraulic circuits, make sure the system has been disconnected from the mains. In case of intervention aimed at identifying leaks in the pressure system, use suitable safety devices such as face shield, goggles and gloves.
- Periodically check the tightening of the nuts, especially if the machine has just been commissioned or has been subjected to replacements, wear, leakages or breakage.
- Make sure the safety devices required have been properly installed, if the machine has not been used for a long time, otherwise fit back those removed for recovery, checking at the same time there are no parts removed or broken.

MAINTENANCE

To keep your machine always efficient, make sure to perform the following interventions:

- Check tightness of all bolts.
- Grease at the beginning of each working season all machine points marked by the tag **GREASE**

END OF WORKS

If the machine must stay inactive for a long period, perform the following actions:

- A. Wash thoroughly the machine.
- B. Check the operation of all moving parts
- C. Check tightness of all bolts.
- D. Protect and lubricate all unpainted metal parts, then cover the equipment and store it in dry environment to make sure it is ready for use when necessary.